



US00D634060S

(12) **United States Design Patent**
Wardenburg

(10) **Patent No.:** **US D634,060 S**

(45) **Date of Patent:** **** *Mar. 8, 2011**

(54) **GROW LIGHT REFLECTOR HOUSING**

(75) Inventor: **Peter Wardenburg**, Petaluma, CA (US)

(73) Assignee: **Hydrofarm, Inc.**, Petaluma, CA (US)

(*) Notice: This patent is subject to a terminal disclaimer.

(**) Term: **14 Years**

(21) Appl. No.: **29/361,818**

(22) Filed: **May 14, 2010**

(51) **LOC (9) Cl.** **26-99**

(52) **U.S. Cl.** **D26/118**

(58) **Field of Classification Search** D26/101,
D26/155, 68, 67, 142, 81, 128, 124, 118,
D26/85, 86, 74, 87, 88, 76, 61, 70, 72, 102,
D26/120, 138, 140; D11/157, 117, 131,
D11/141; D13/102; 52/173.3; 362/362,
362/375, 294, 55, 563, 564, 147, 285, 290,
362/292, 330, 331, 351, 363, 410, 417, 800,
362/805

See application file for complete search history.

(56) **References Cited**

U.S. PATENT DOCUMENTS

1,930,070 A * 10/1933 Zecher 313/590
4,933,821 A * 6/1990 Anderson 362/223
6,152,579 A * 11/2000 Reed et al. 362/320

D456,938 S * 5/2002 Wardenburg D26/118
D543,652 S * 5/2007 Hargreaves D26/76
D544,984 S * 6/2007 Hargreaves D26/76
D544,987 S * 6/2007 Hargreaves D26/88
D545,484 S * 6/2007 Hargreaves D26/118
D545,485 S * 6/2007 Hargreaves D26/118
2008/0205030 A1 * 8/2008 Hargreaves 362/1

* cited by examiner

Primary Examiner — Cathron C Brooks

Assistant Examiner — Kevin K Rudzinski

(74) *Attorney, Agent, or Firm* — Craig M. Stainbrook;
Stainbrook & Stainbrook, LLP

(57) **CLAIM**

The ornamental design for a grow light reflector housing, as shown and described.

DESCRIPTION

FIG. 1 is an upper right front perspective view of my design of a grow light reflector housing;

FIG. 2 is a front elevational view, the rear is identical thereto;

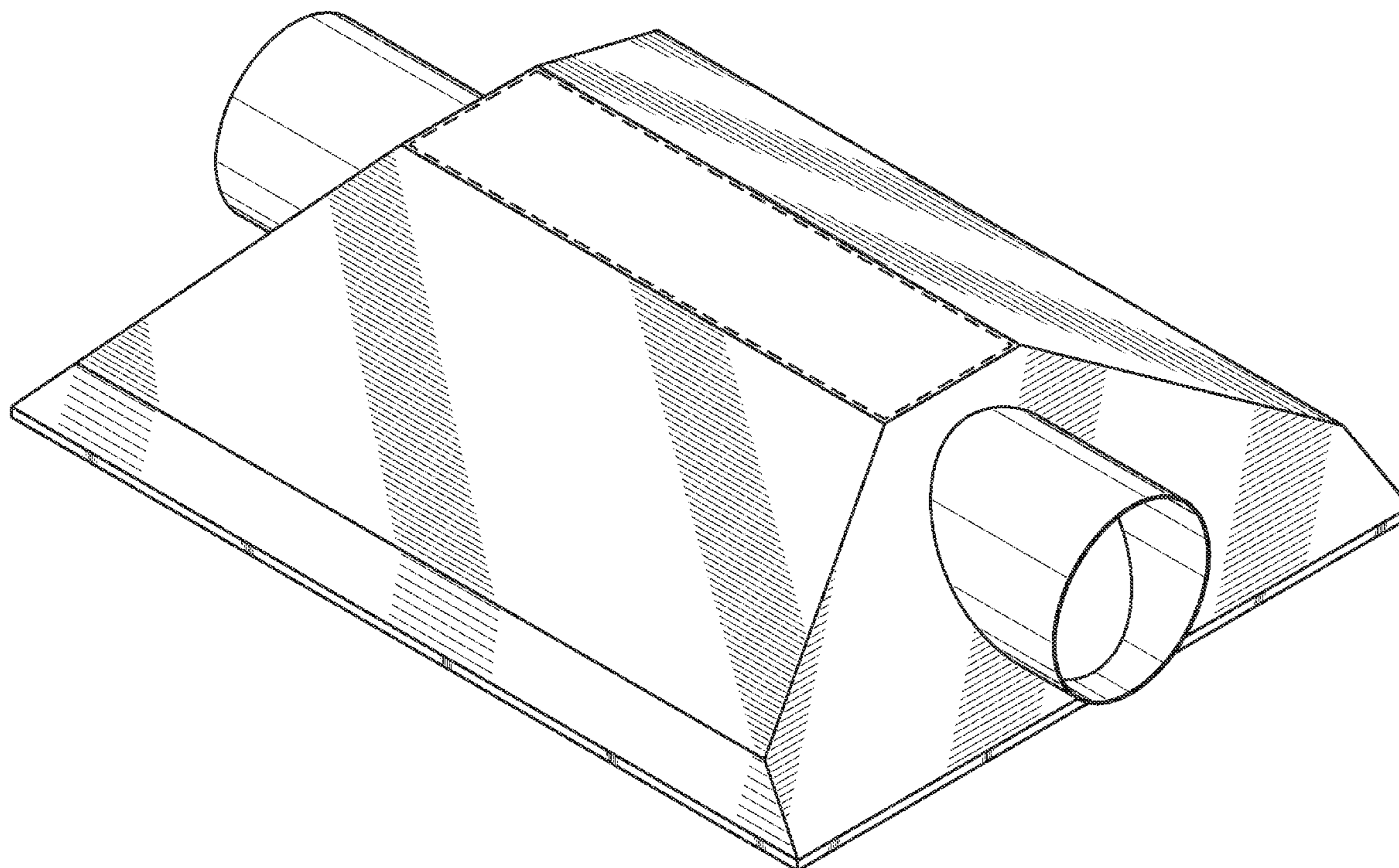
FIG. 3 is a left side elevational view, the right side is identical thereto;

FIG. 4 is a top plan view; and,

FIG. 5 is a bottom plan view.

The broken lines shown in the drawings, which define the bounds of the claimed design between claimed and unclaimed areas, form no part thereof.

1 Claim, 4 Drawing Sheets



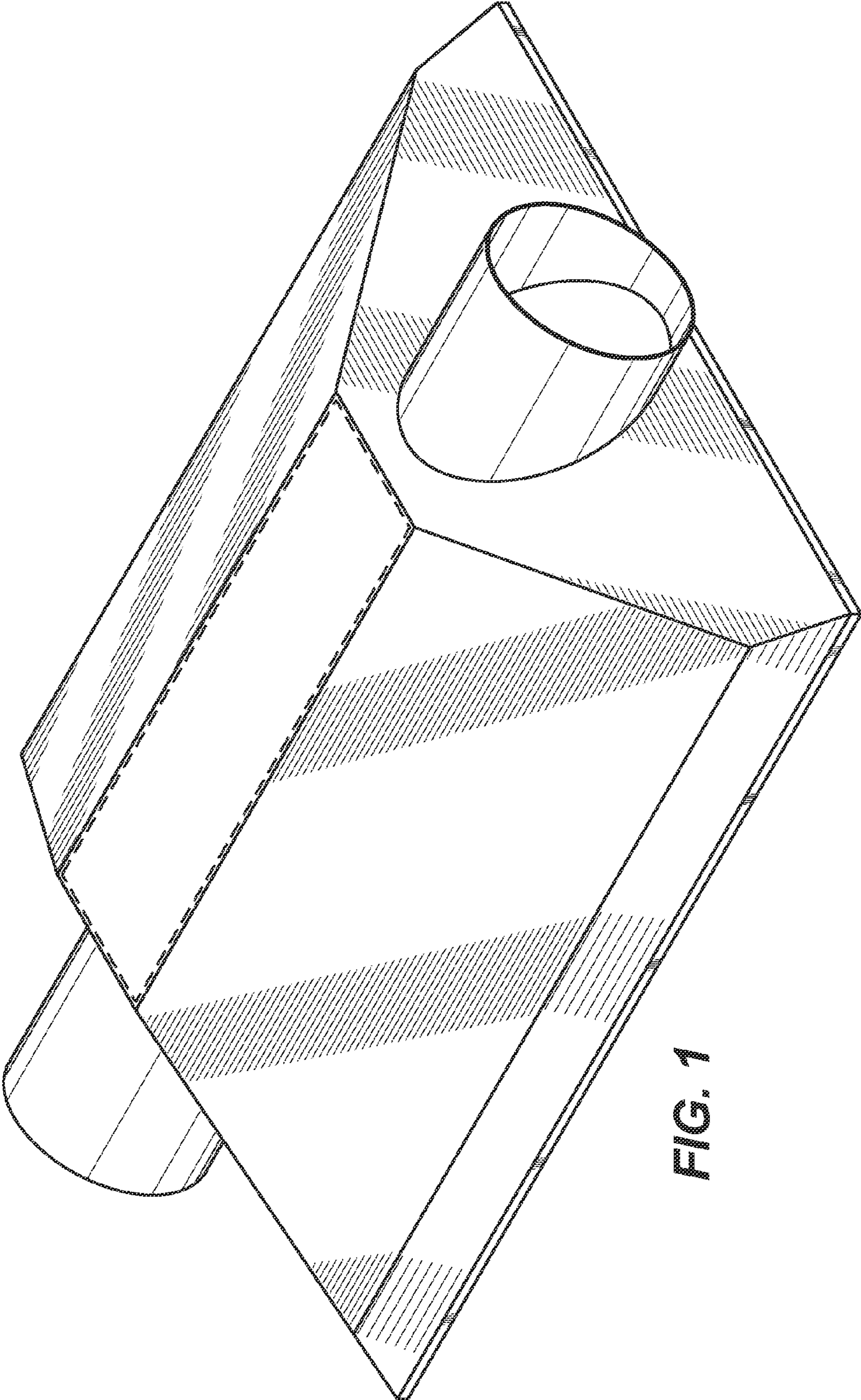


FIG. 1

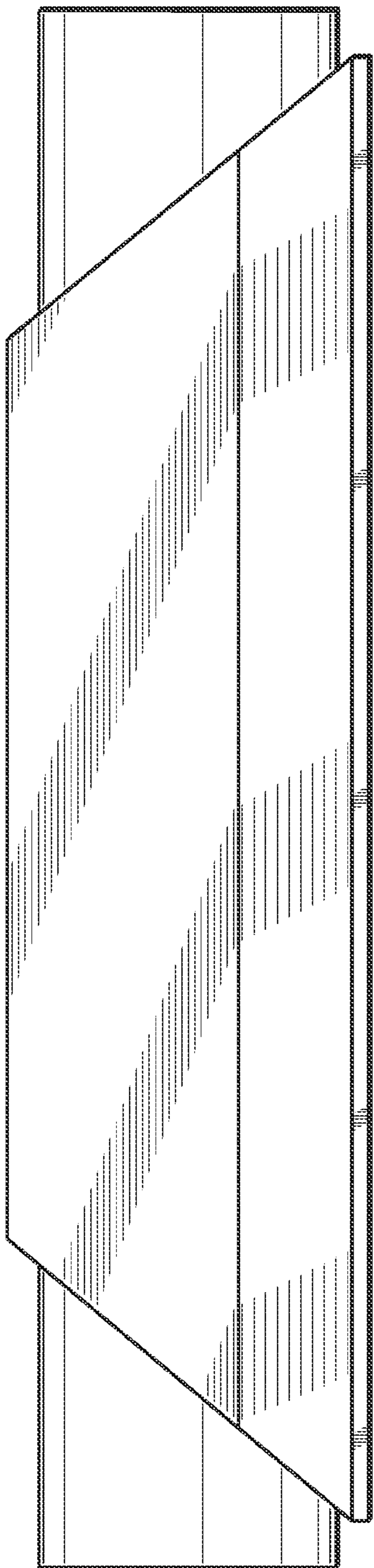


FIG. 2

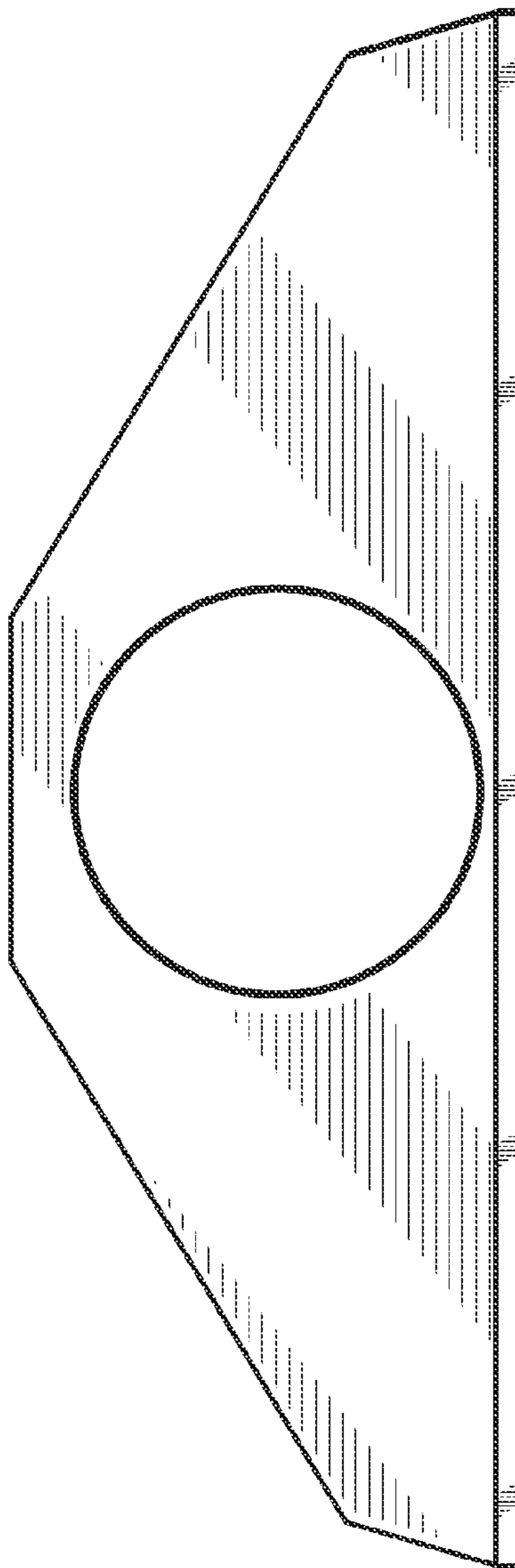


FIG. 3

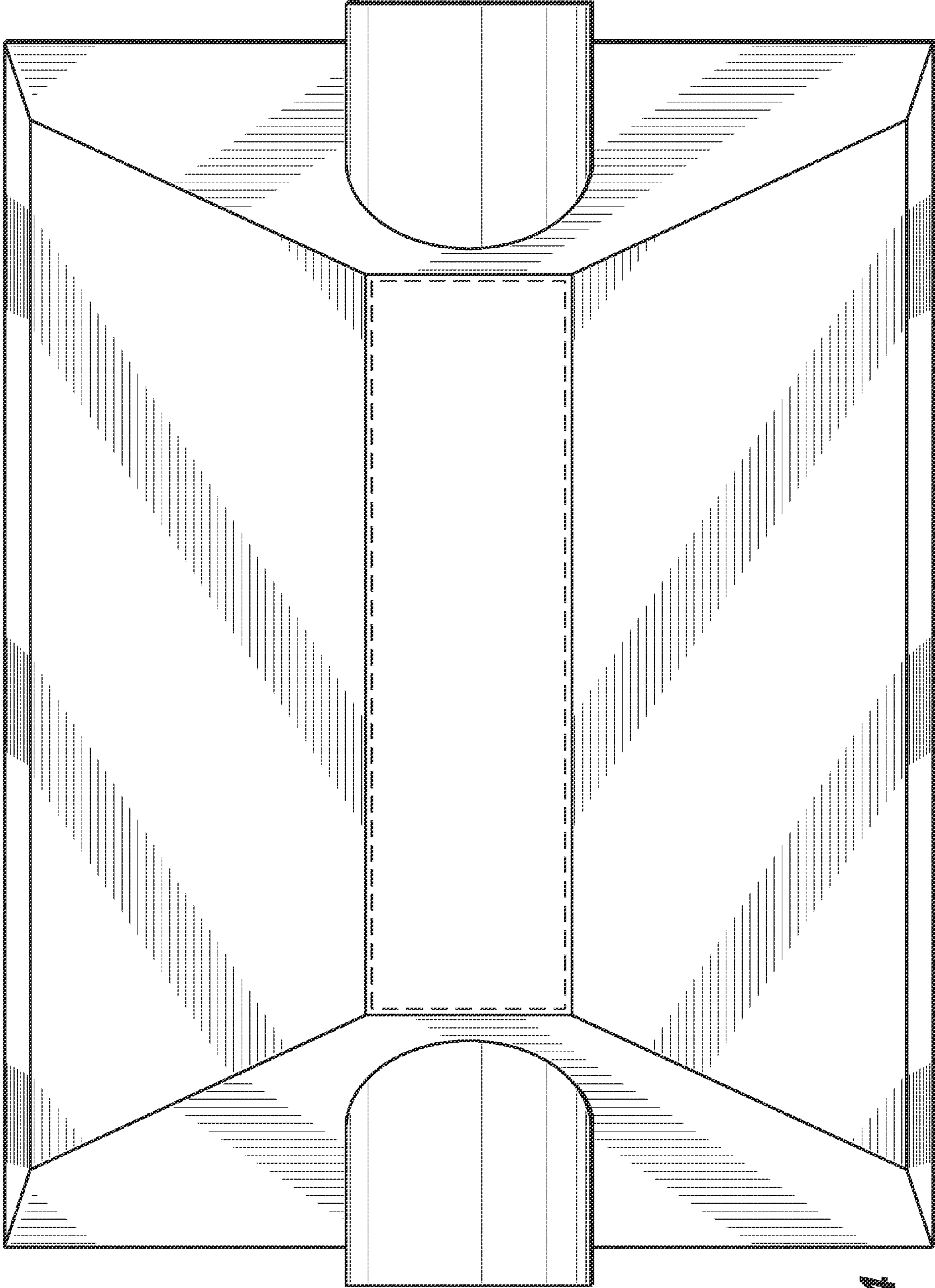


FIG. 4

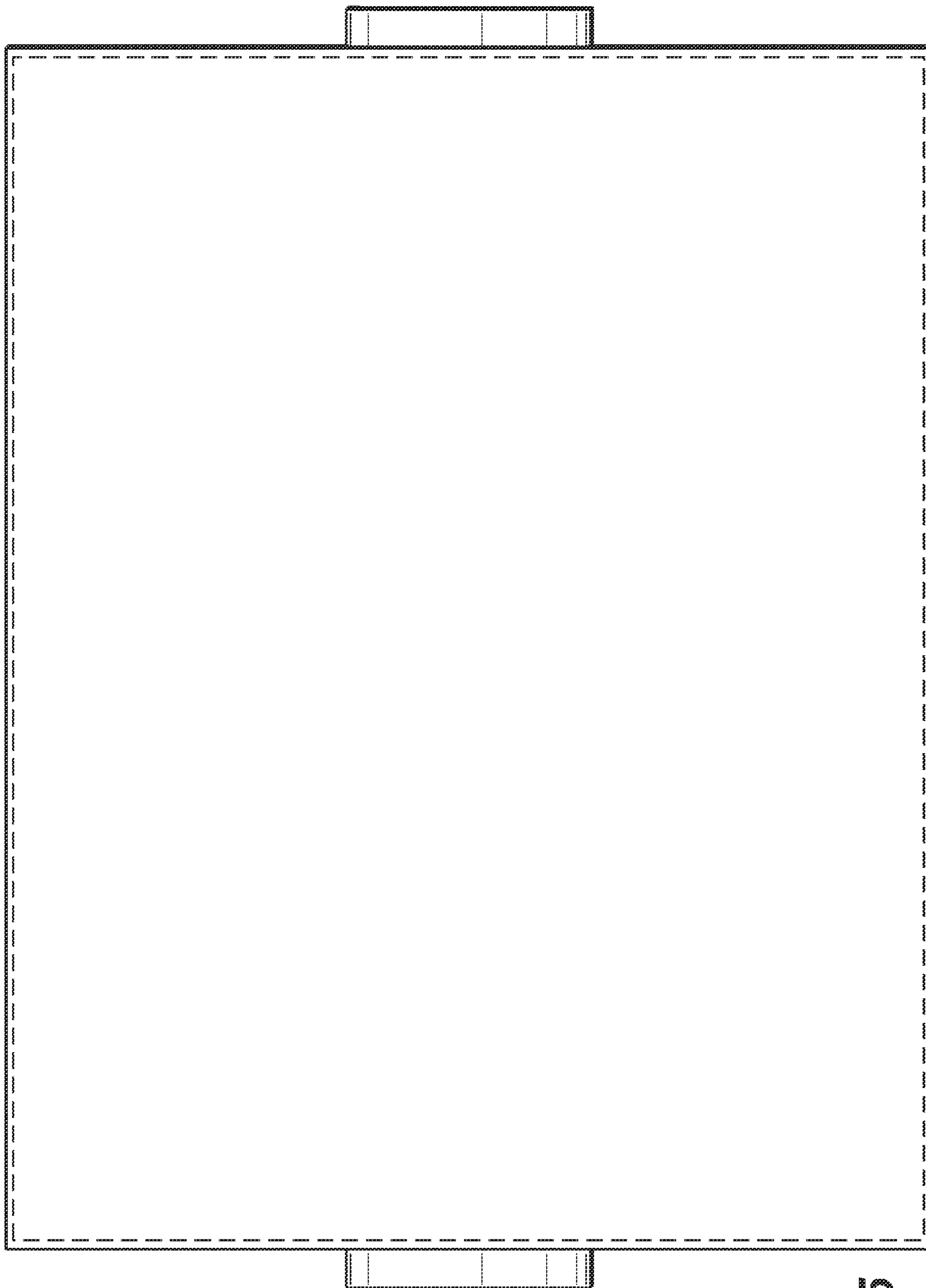


FIG. 5