



US00D634053S

(12) **United States Design Patent**
Guercio

(10) **Patent No.:** **US D634,053 S**
(45) **Date of Patent:** **** Mar. 8, 2011**

(54) **DOME LIGHT**

(75) Inventor: **Vincenzo Guercio**, Wallkill, NY (US)

(73) Assignee: **RAB Lighting, Inc.**, Northvale, NJ (US)

(**) Term: **14 Years**

(21) Appl. No.: **29/344,426**

(22) Filed: **Sep. 29, 2009**

(51) **LOC (9) Cl.** **26-03**

(52) **U.S. Cl.** **D26/89**

(58) **Field of Classification Search** D26/24,
D26/67, 72, 74, 76, 85, 88, 89; 362/147,
362/294.02, 373, 453, 454, 404-408, 432
See application file for complete search history.

(56) **References Cited**

U.S. PATENT DOCUMENTS

D44,706	S	*	9/1913	Hawthorne	D26/24
1,491,866	A	*	4/1924	Kissling et al.	362/480
1,713,110	A	*	5/1929	Wilson	362/490
2,207,507	A	*	7/1940	Douglas	362/489
2,255,431	A	*	9/1941	Marden et al.	D26/89
D228,795	S	*	10/1973	Peasley	D26/85
D393,093	S	*	3/1998	Fiorato	D26/85
D564,124	S	*	3/2008	Dickson	D26/85
D571,034	S	*	6/2008	Goetz-Schaefer	D26/85

D607,600 S * 1/2010 Keith D26/85

FOREIGN PATENT DOCUMENTS

JP D1086737 7/2000

* cited by examiner

Primary Examiner—Clare E Heflin

(74) *Attorney, Agent, or Firm*—Stewart & Irwin, P.C.; Dennis S. Schell

(57) **CLAIM**

The ornamental design for a dome light, as shown and described.

DESCRIPTION

FIG. 1 is a perspective view of a dome light according to my design;

FIG. 2 is a first side view thereof;

FIG. 3 is a top view thereof;

FIG. 4 is a second side view thereof;

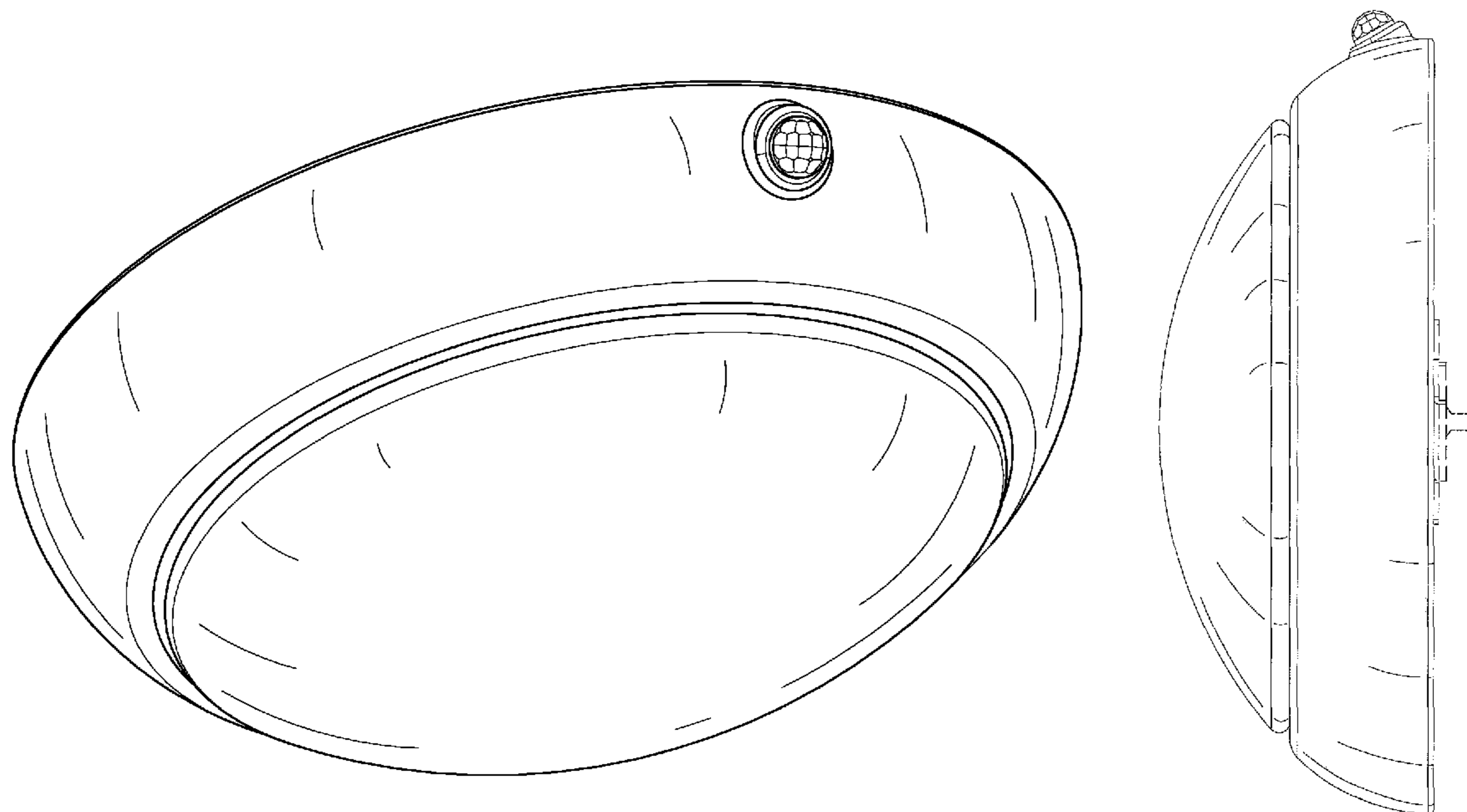
FIG. 5 is a third side view thereof;

FIG. 6 is a fourth side view thereof; and,

FIG. 7 is a bottom view thereof.

The broken lines shown on the drawings depict portions of the dome light that form no part of the claimed design.

1 Claim, 4 Drawing Sheets



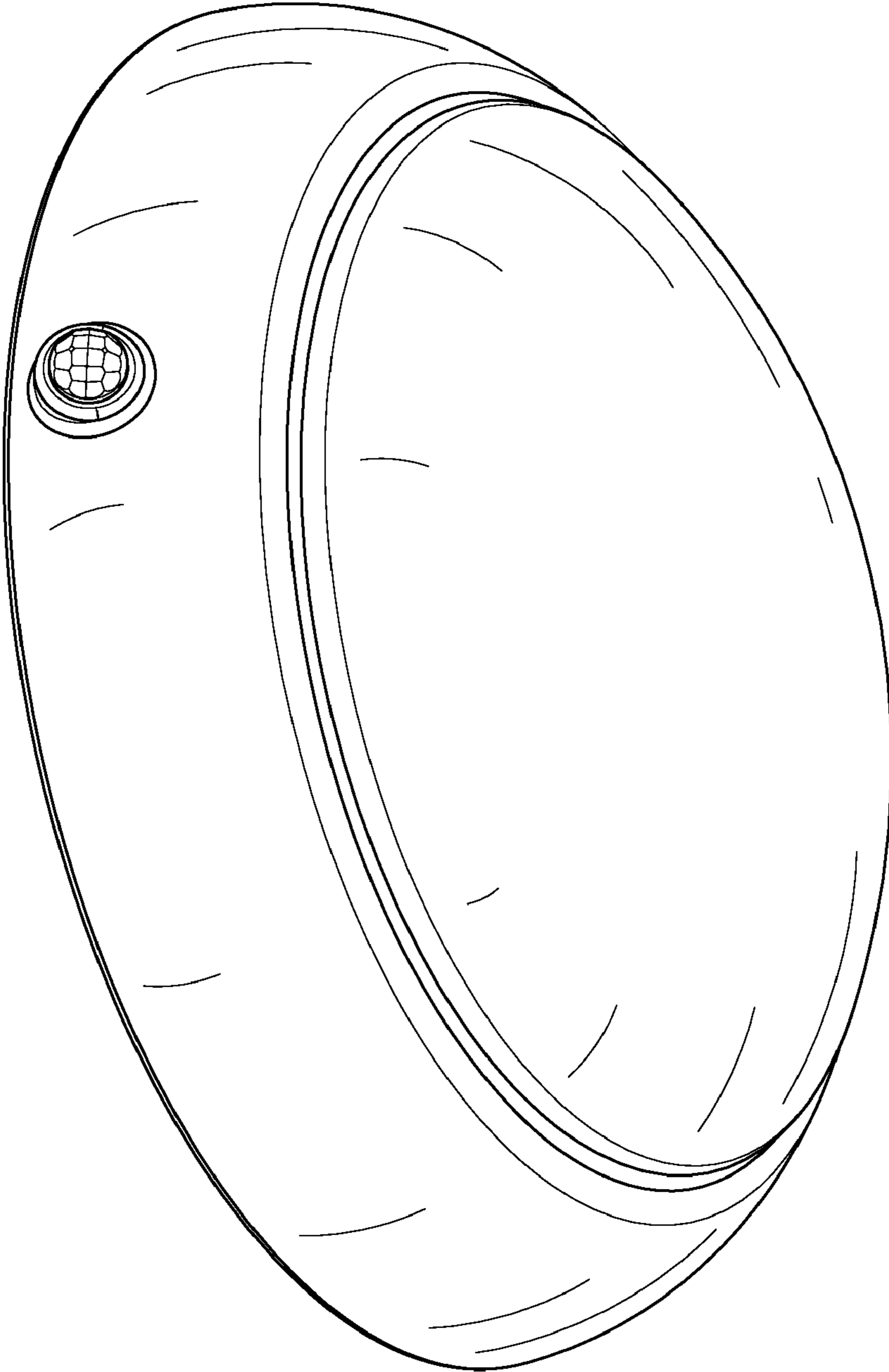


FIG. 1

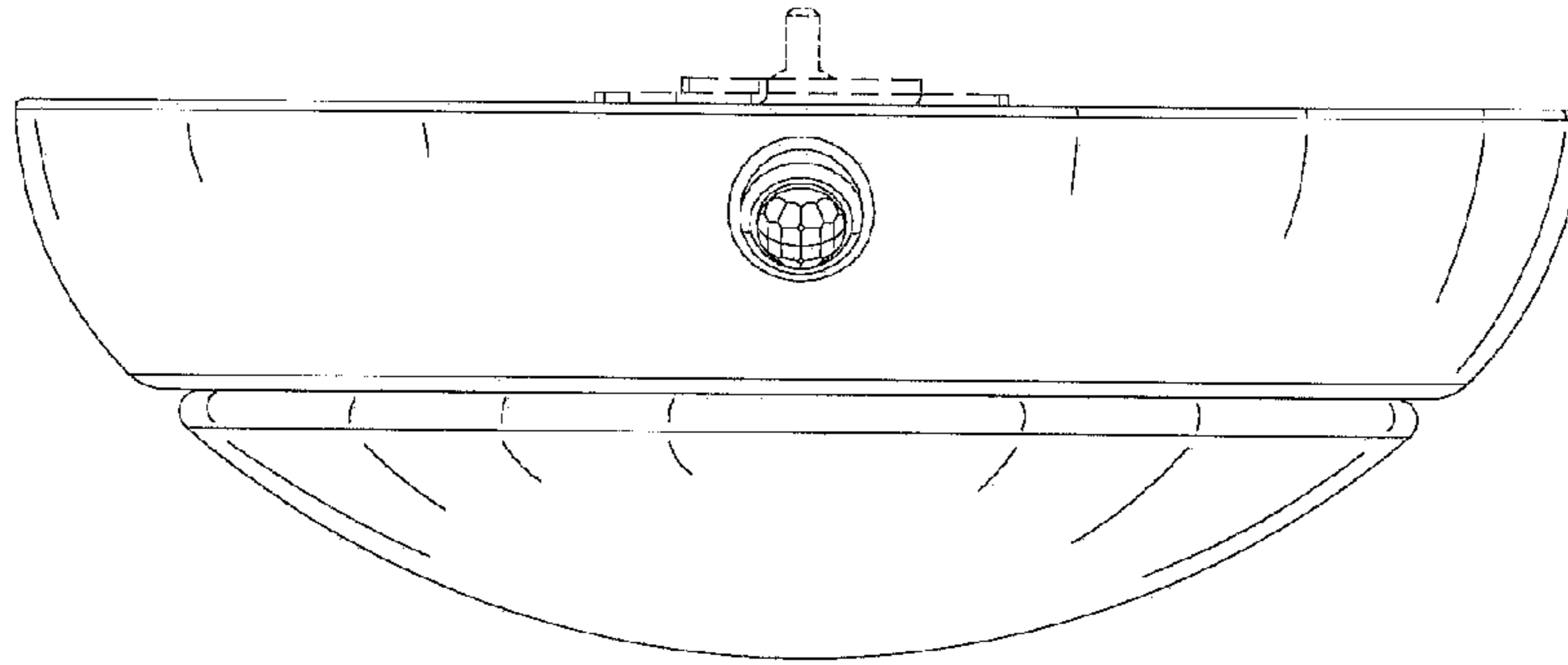


FIG. 2

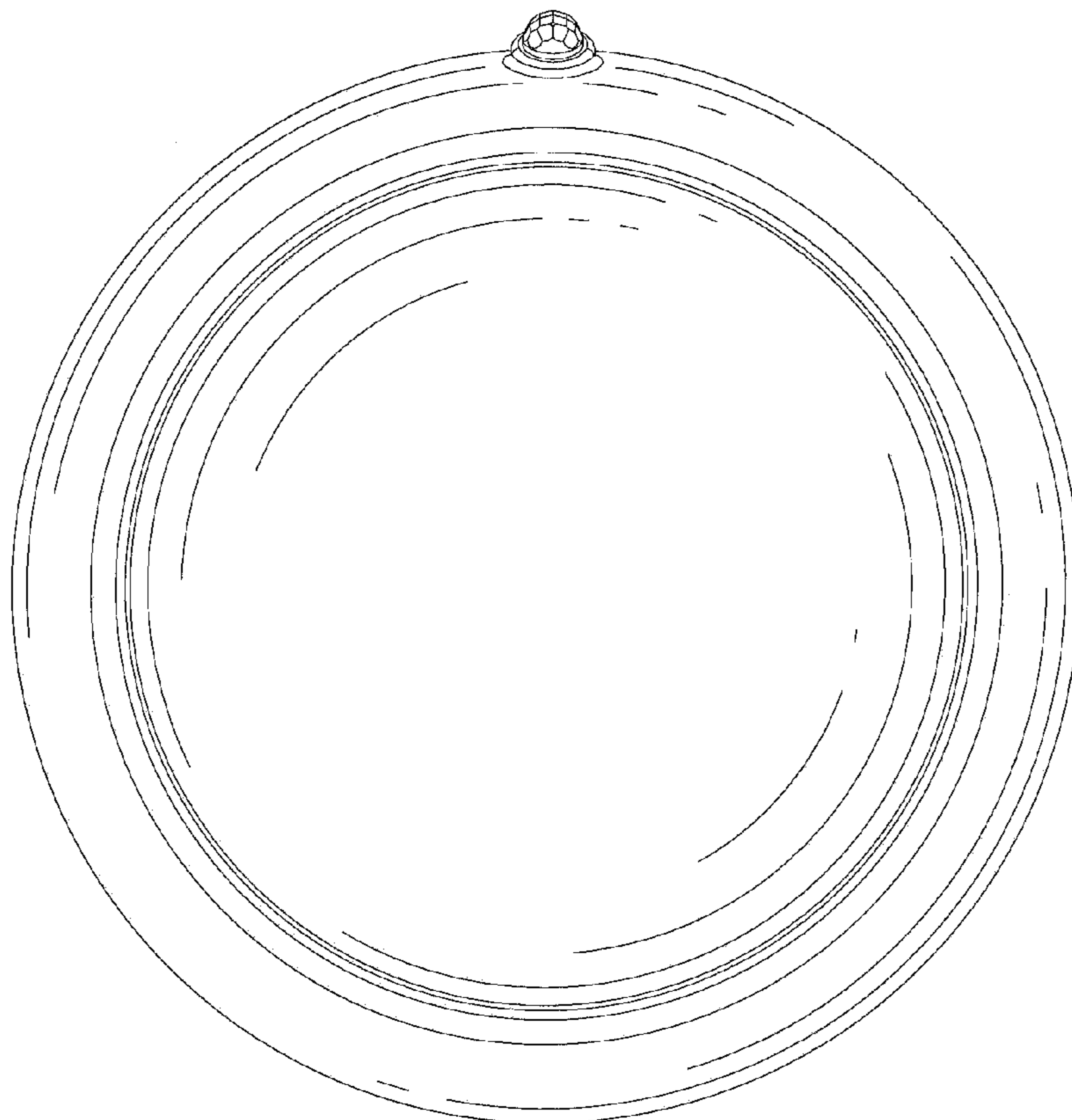


FIG. 3

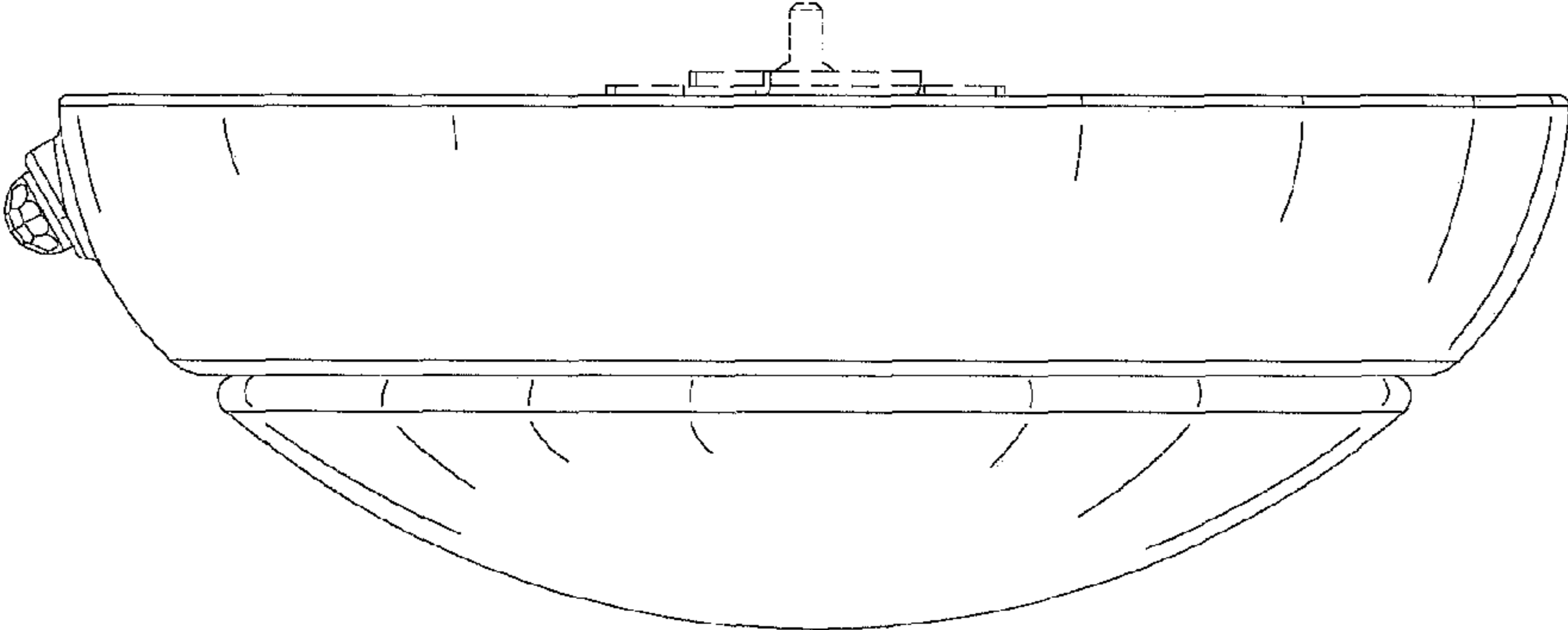


FIG. 5

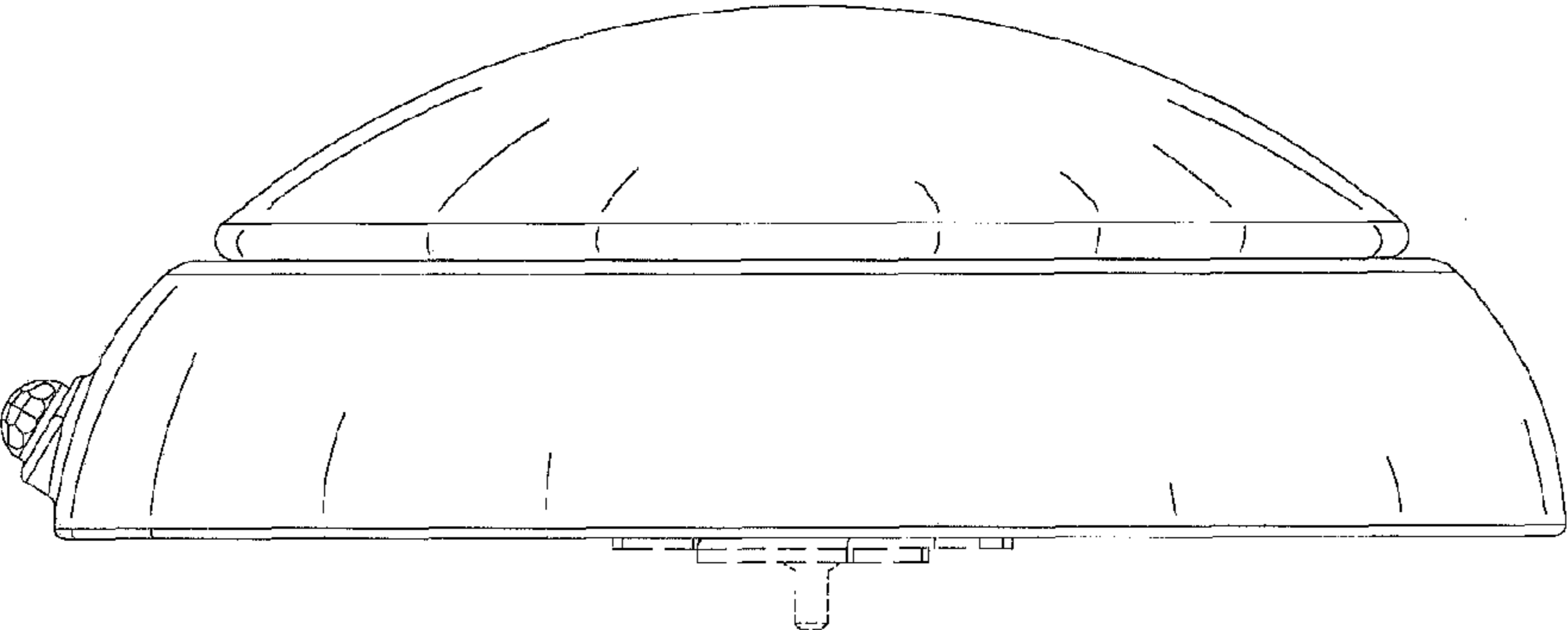


FIG. 4

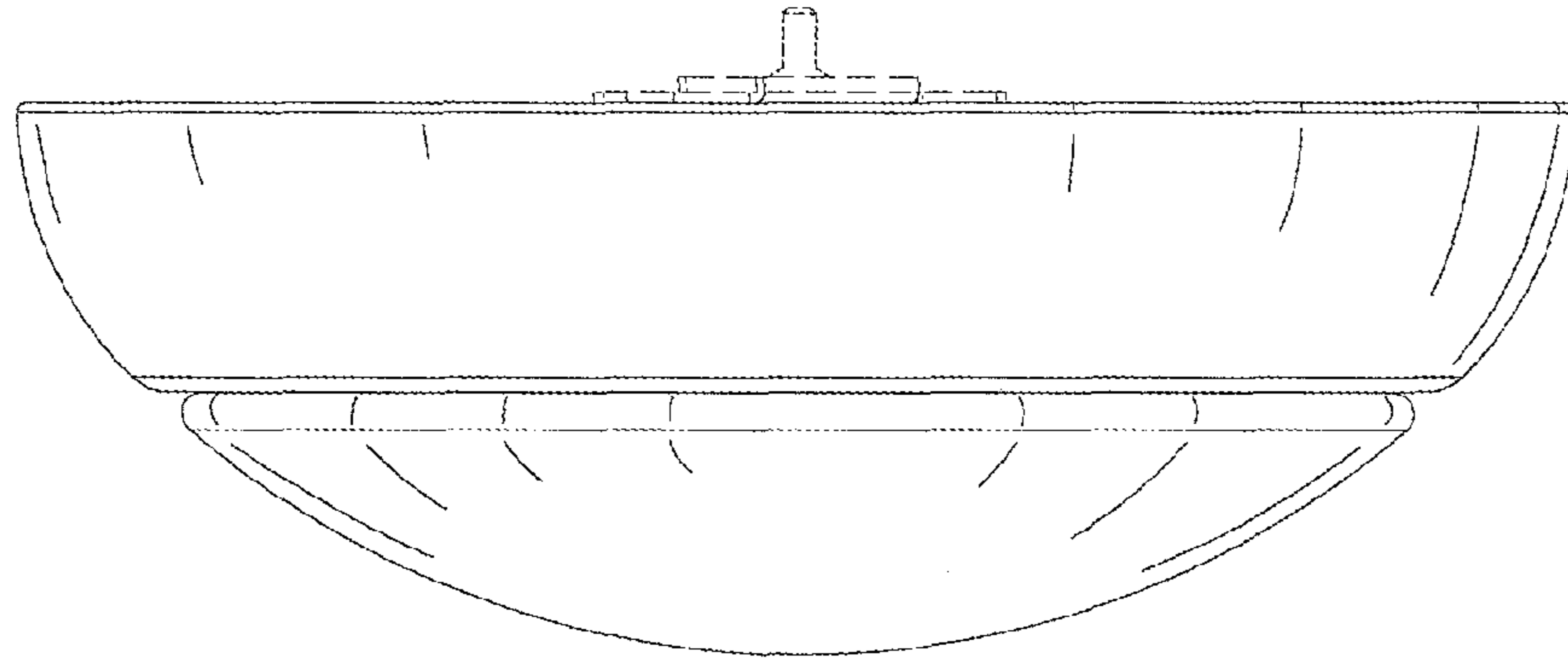


FIG. 6

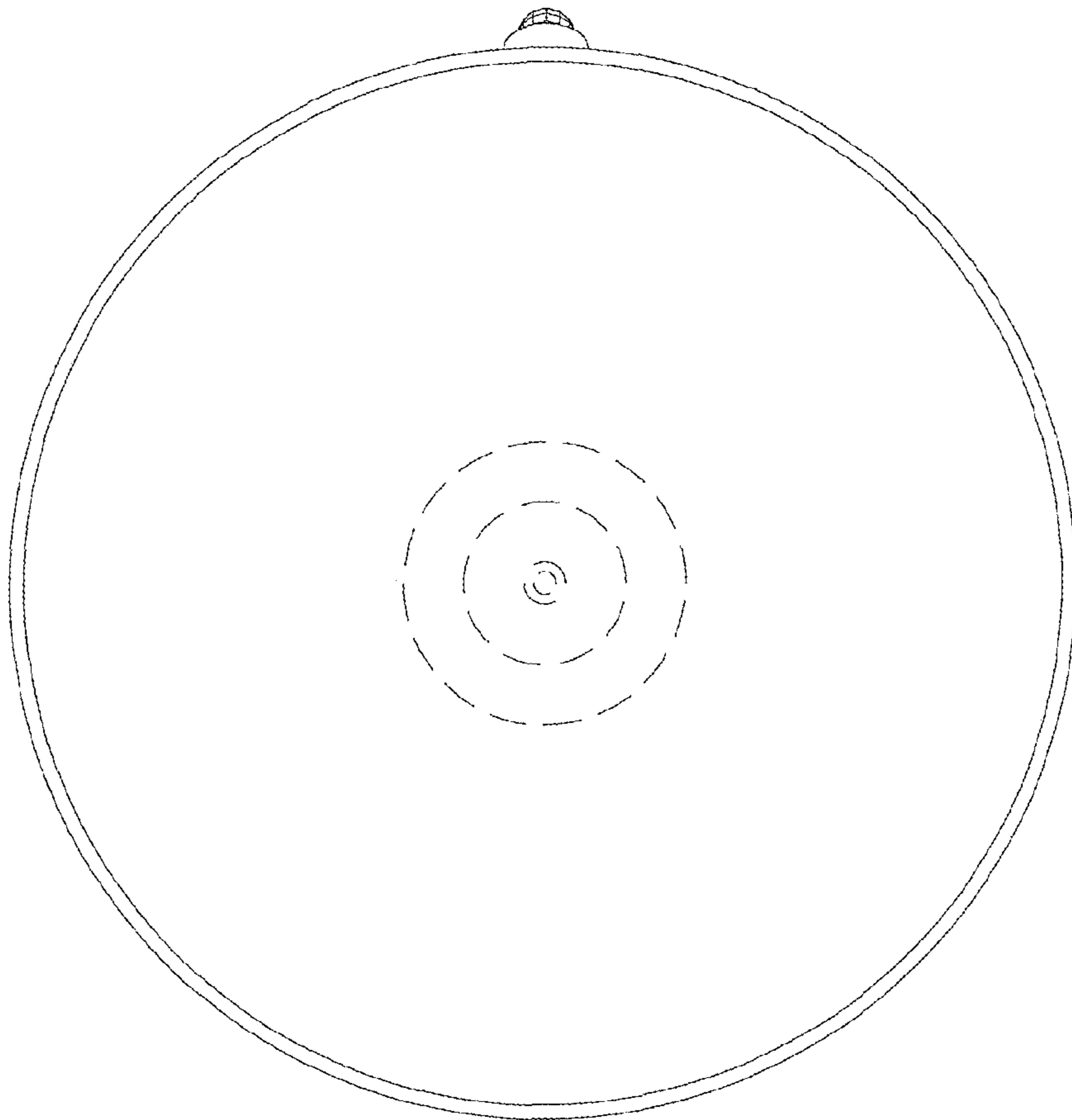


FIG. 7