



US00D634052S

(12) **United States Design Patent**
Sabernig

(10) **Patent No.:** **US D634,052 S**
(45) **Date of Patent:** **** Mar. 8, 2011**

(54) **LIGHT FIXTURE**

(74) *Attorney, Agent, or Firm*—Baker & McKenzie LLP

(75) Inventor: **Robert Sabernig**, Munster (AT)

(57) **CLAIM**

(73) Assignee: **EGLO Leuchten GmbH**, Innsbruck (AT)

The ornamental design for a light fixture, as shown and described.

(**) Term: **14 Years**

DESCRIPTION

(21) Appl. No.: **29/375,247**

FIG. 1 is a perspective view of a light fixture in accordance with my design;

(22) Filed: **Sep. 20, 2010**

FIG. 2 is a top plan view of the light fixture in accordance with my design;

(51) **LOC (9) Cl.** **26-03**

(52) **U.S. Cl.** **D26/88**

(58) **Field of Classification Search** D26/84–91,
D26/120, 128; 362/147, 404–408, 431, 432
See application file for complete search history.

FIG. 3 is a bottom plan view of the light fixture in accordance with my design;

FIG. 4 is a front elevation view of the light fixture in accordance with my design;

(56) **References Cited**

U.S. PATENT DOCUMENTS

D80,494 S *	2/1930	Rosenblatt	D26/91
D399,330 S *	10/1998	Geier et al.	D26/88
D434,172 S *	11/2000	Bernd	D26/88
D446,337 S *	8/2001	Benghozi	D26/86
D482,818 S *	11/2003	Vegliante	D26/128
D585,583 S *	1/2009	Campbell	D26/88
D595,889 S *	7/2009	Sabernig	D26/87
D617,030 S *	6/2010	Sabernig	D26/84
D620,184 S *	7/2010	Sabernig	D26/88
D620,629 S *	7/2010	Sabernig	D26/84
D620,630 S *	7/2010	Sabernig	D26/86

FIG. 5 is a back elevation view of the light fixture in accordance with my design; and,

FIG. 6 is a side elevation view of the light fixture in accordance with my design, the opposite view being a mirror image of that shown.

The portions of the light fixture shown broken away in FIGS. 1 and 4-6 are to depict indeterminate length.

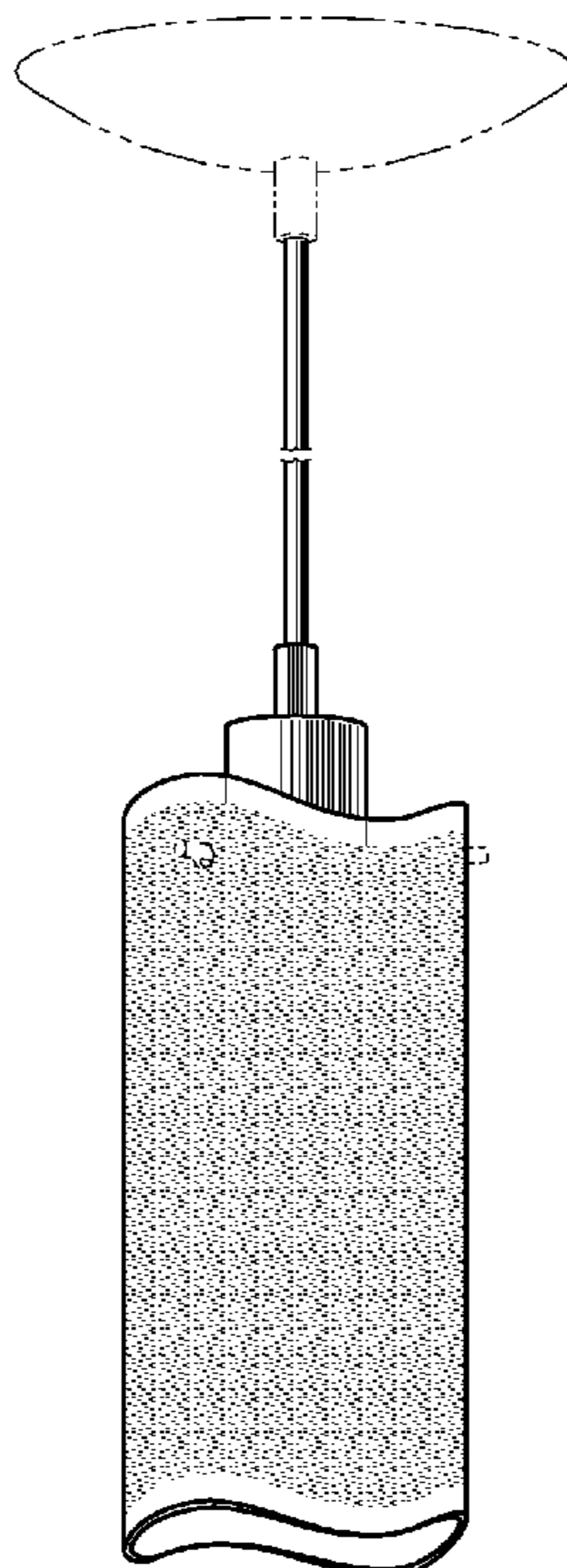
The broken-line disclosure of elements is understood to represent portions of the article in which the design is embodied, but which form no part of the claimed design.

Features of the design include the shape and configuration of the article and the ornament applied to the article as shown in the draftsman's representations.

* cited by examiner

Primary Examiner—Clare E Heflin

1 Claim, 2 Drawing Sheets



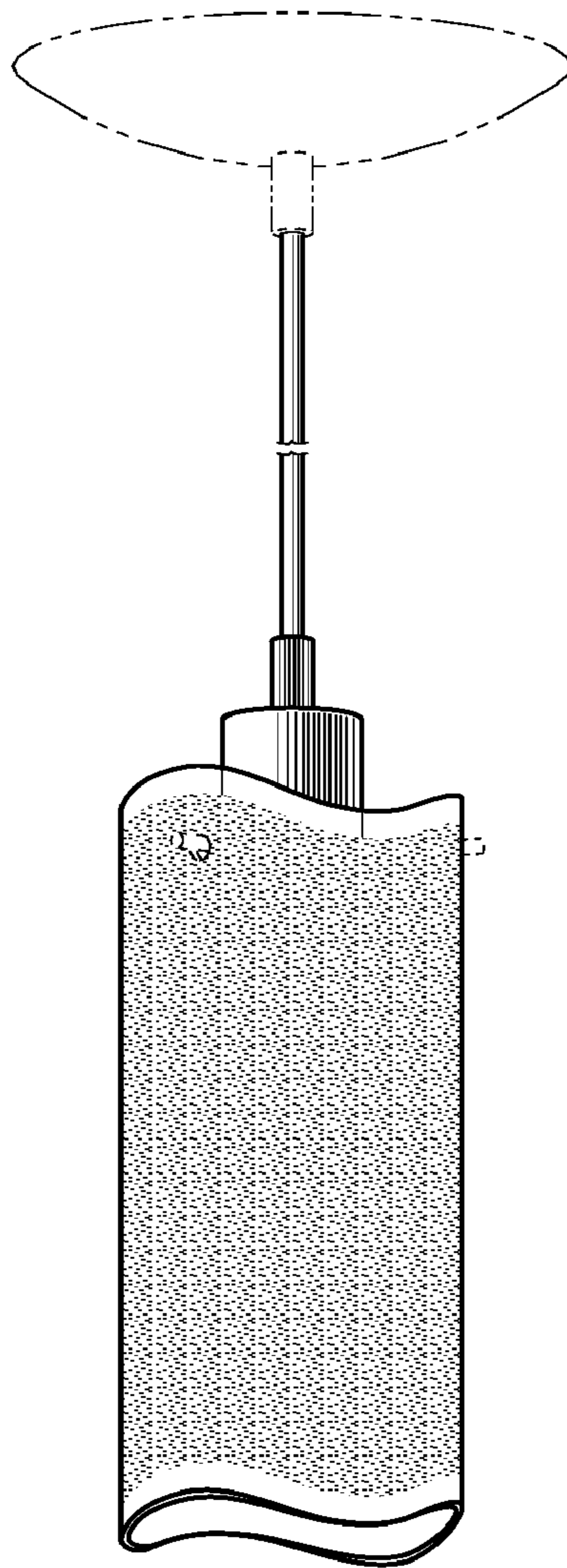


Fig.1

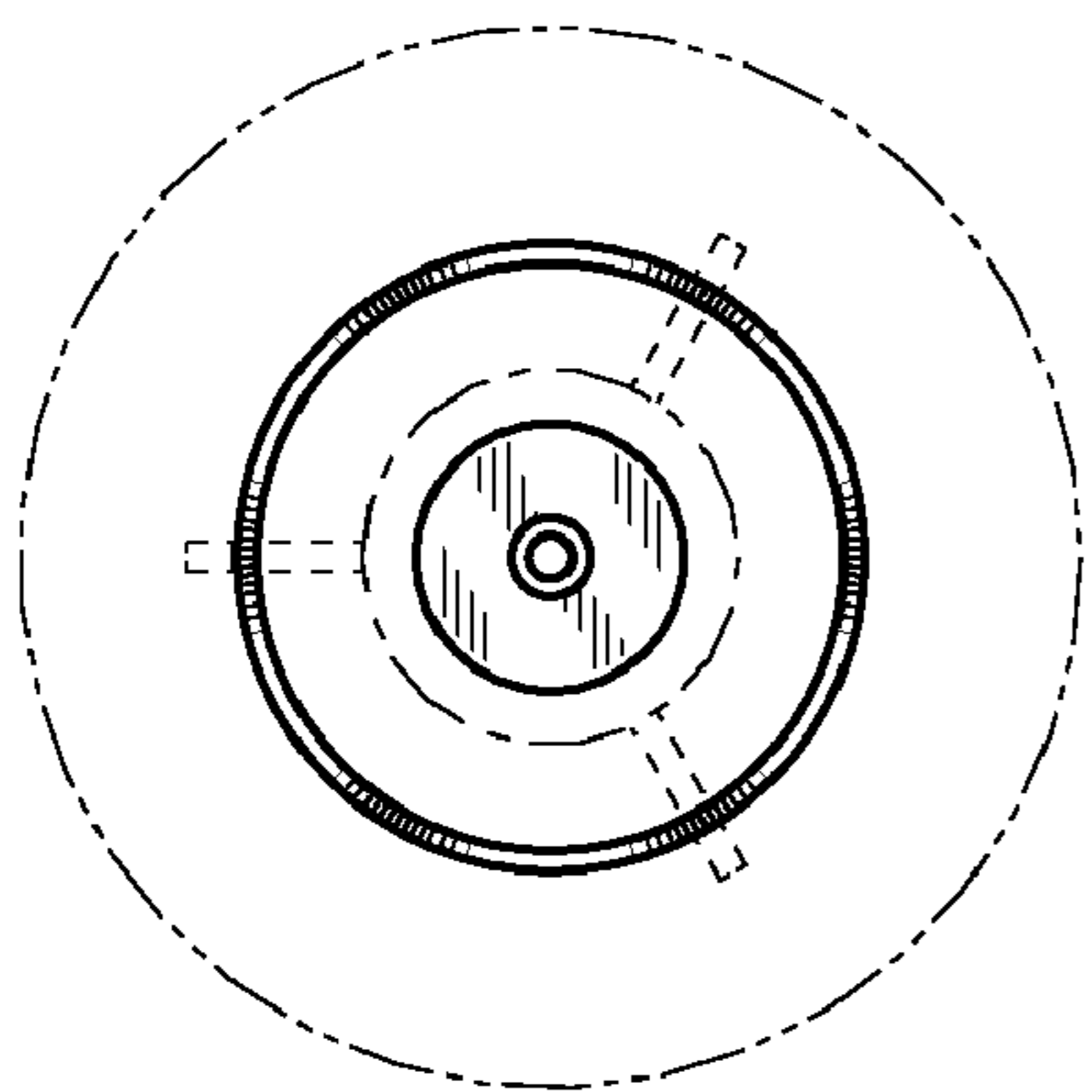


Fig.2

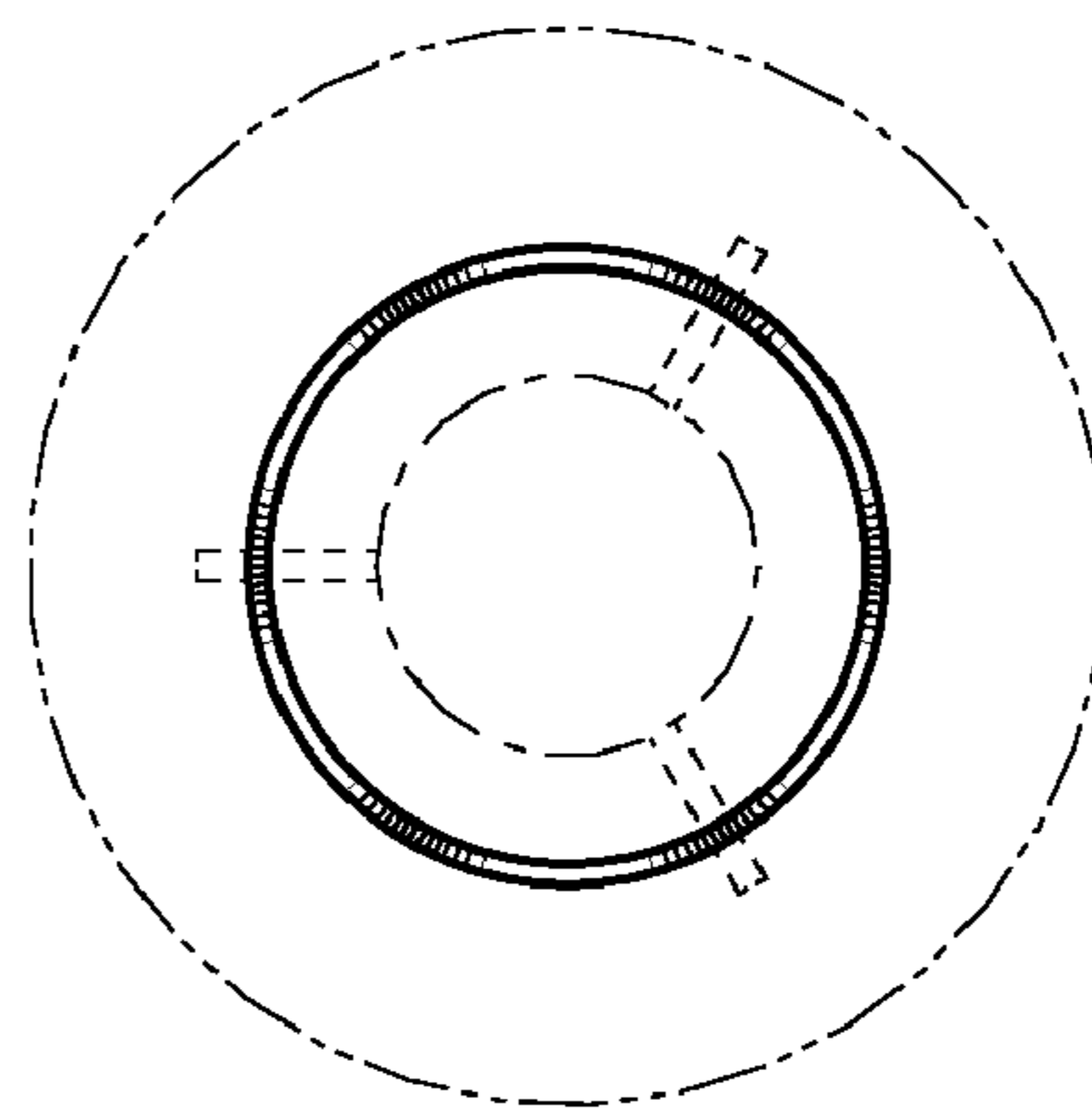


Fig.3

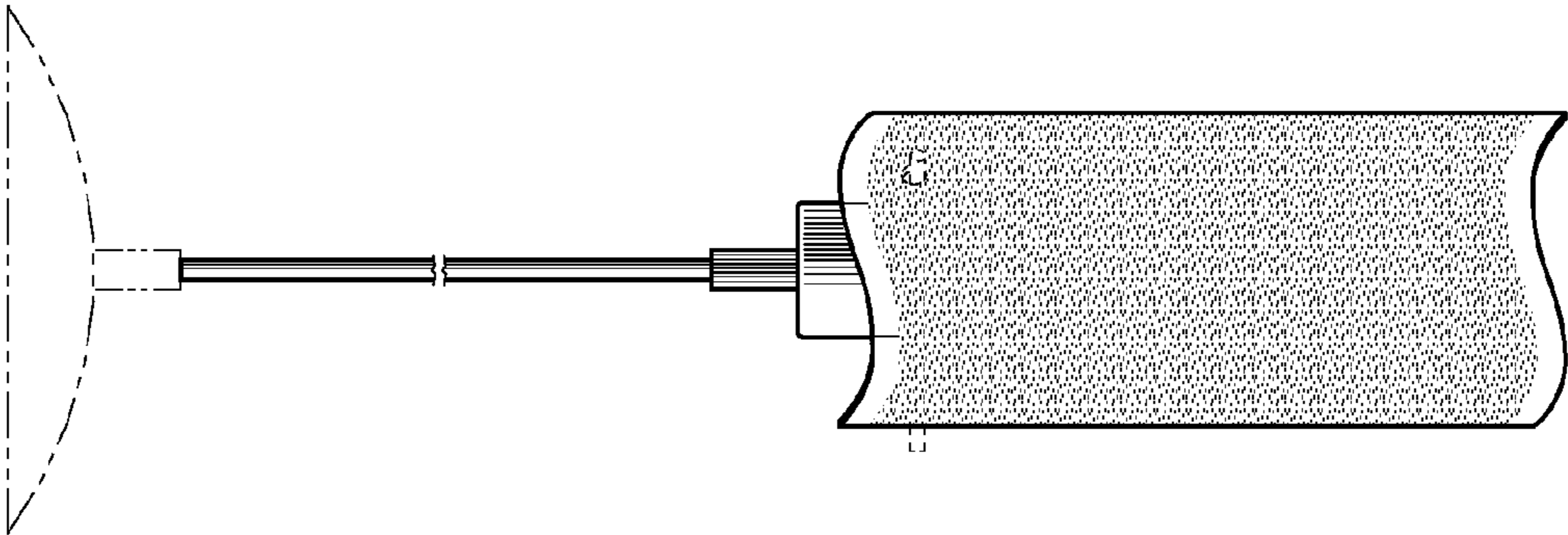


Fig. 6

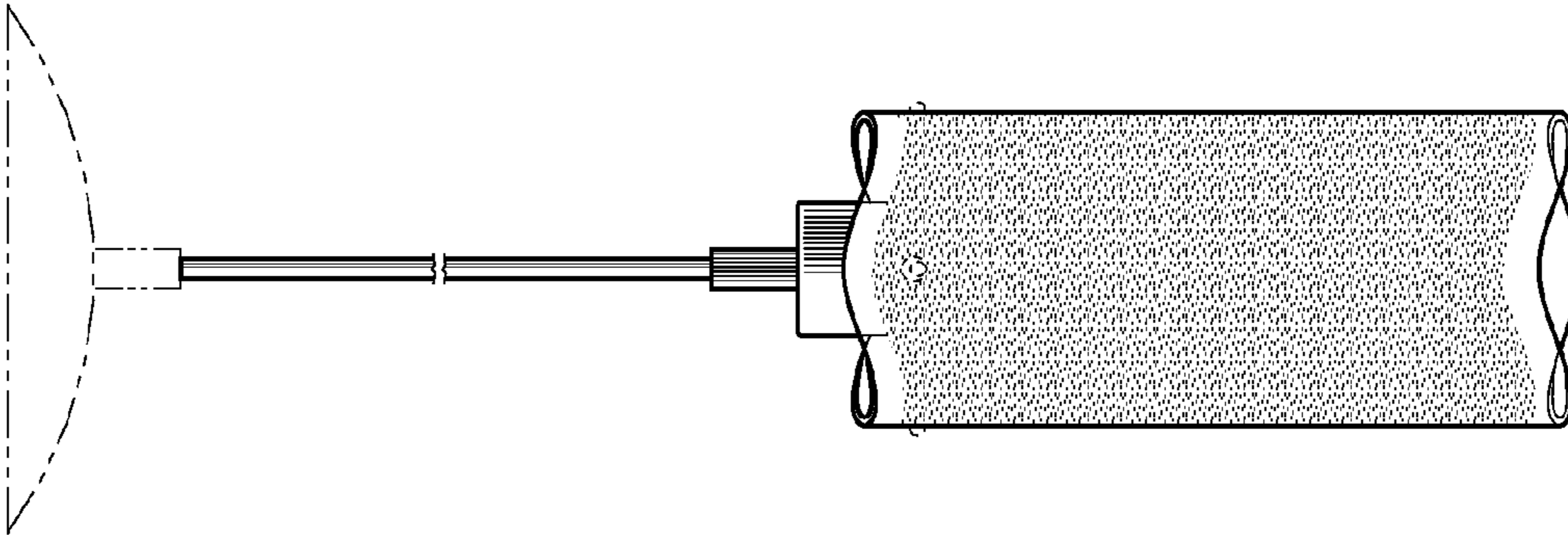


Fig. 5

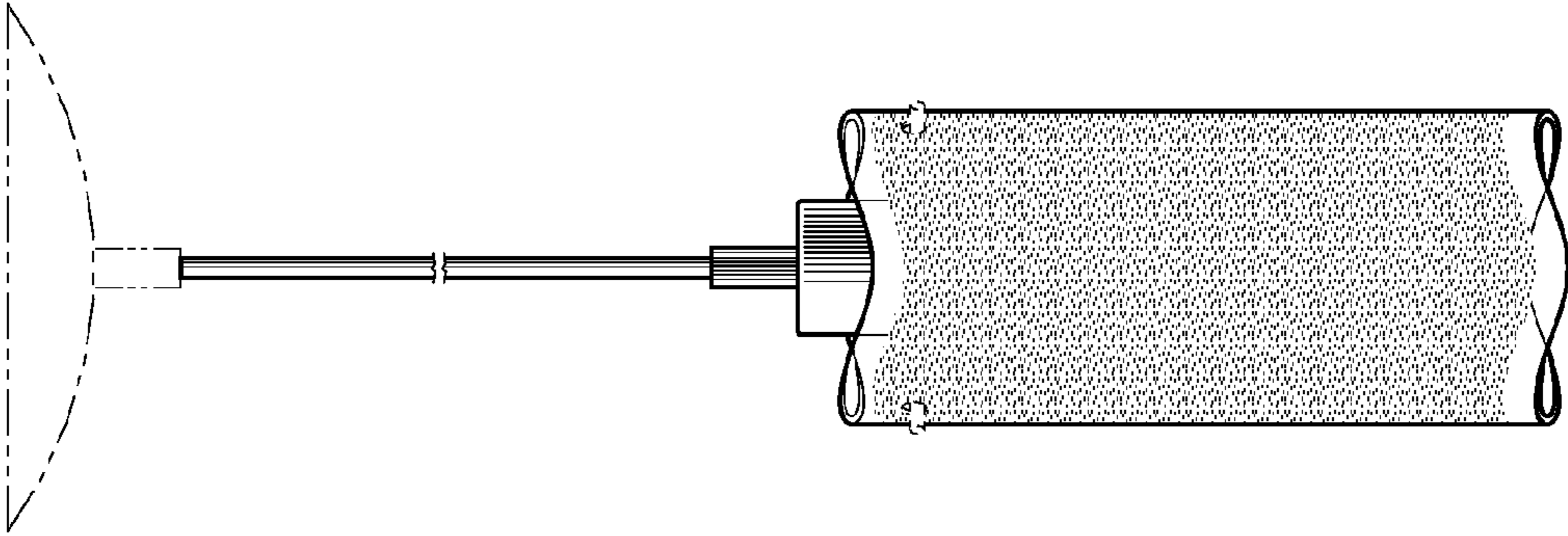


Fig. 4