



US00D634050S

(12) **United States Design Patent**
Sabernig

(10) **Patent No.:** **US D634,050 S**

(45) **Date of Patent:** **** Mar. 8, 2011**

(54) **LIGHT FIXTURE**

(75) Inventor: **Robert Sabernig**, Munster (AT)

(73) Assignee: **EGLO Leuchten GmbH**, Innsbruck (AT)

(**) Term: **14 Years**

(21) Appl. No.: **29/375,261**

(22) Filed: **Sep. 20, 2010**

(51) **LOC (9) Cl.** **26-03**

(52) **U.S. Cl.** **D26/87**

(58) **Field of Classification Search** D26/84-92,
D26/120, 128; 362/147, 404-408, 431, 432
See application file for complete search history.

(56) **References Cited**

U.S. PATENT DOCUMENTS

1,416,664	A	*	5/1922	Healy et al.	362/432
D80,494	S	*	2/1930	Rosenblatt	D26/91
D177,716	S	*	5/1956	Clemens	D26/87
D394,125	S	*	5/1998	Barry	D26/87
D397,485	S	*	8/1998	Kalthoff	D26/87
D441,487	S	*	5/2001	Crosby	D26/87
D482,818	S	*	11/2003	Vegliante	D26/128
D573,750	S	*	7/2008	Starck	D26/87
D575,893	S	*	8/2008	Castellucci et al.	D26/87
D595,889	S	*	7/2009	Sabernig	D26/87

* cited by examiner

Primary Examiner—Clare E Heflin

(74) Attorney, Agent, or Firm—Baker & McKenzie LLP

(57) **CLAIM**

The ornamental design for a light fixture, as shown and described.

DESCRIPTION

FIG. 1 is a perspective view of a light fixture in accordance with my design;

FIG. 2 is a side elevation view of the light fixture in accordance with my design, the opposite view being a mirror image of that shown;

FIG. 3 is a front elevation view of the light fixture in accordance with my design;

FIG. 4 is a back elevation view of the light fixture in accordance with my design;

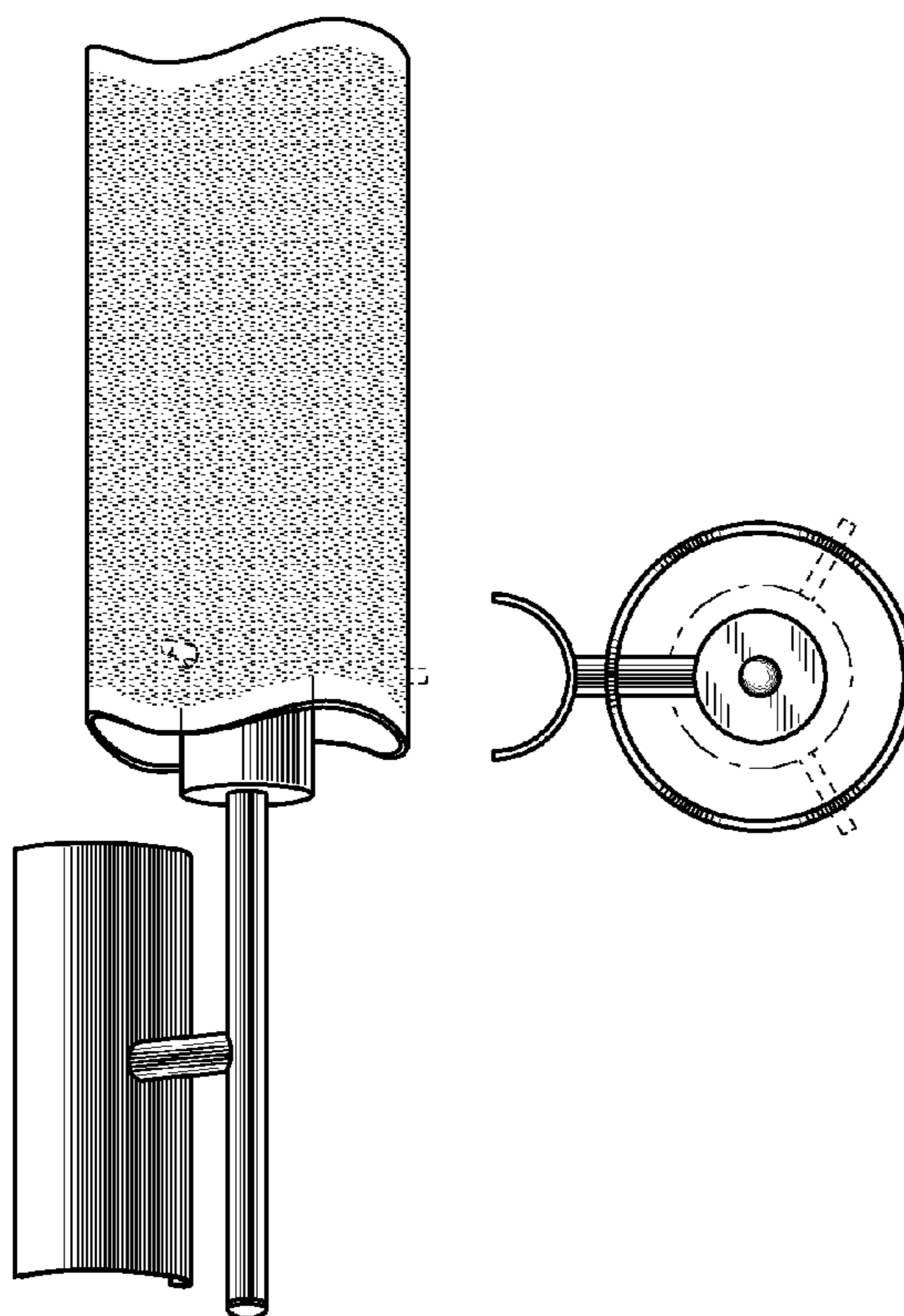
FIG. 5 is a top plan view of the light fixture in accordance with my design; and,

FIG. 6 is a bottom plan view of the light fixture in accordance with my design.

The broken-line disclosure of elements is understood to represent portions of the article in which the design is embodied, but which form no part of the claimed design.

Features of the design include the shape and configuration of the article and the ornament applied to the article as shown in the draftsman's representations.

1 Claim, 1 Drawing Sheet



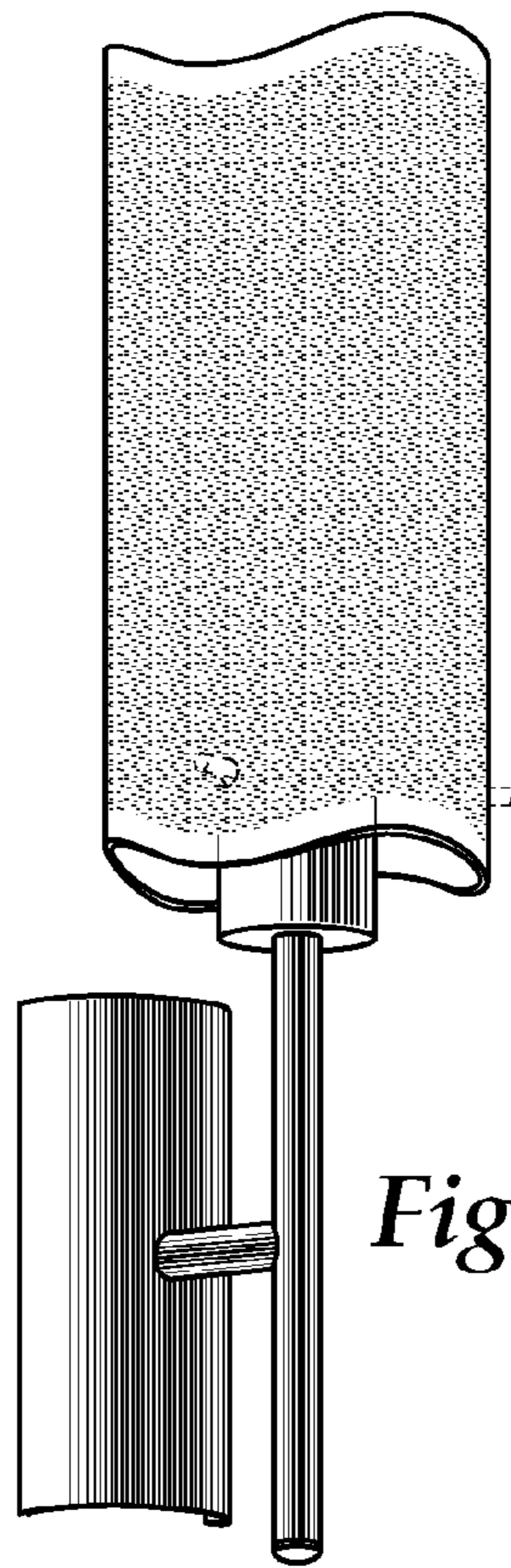


Fig.1

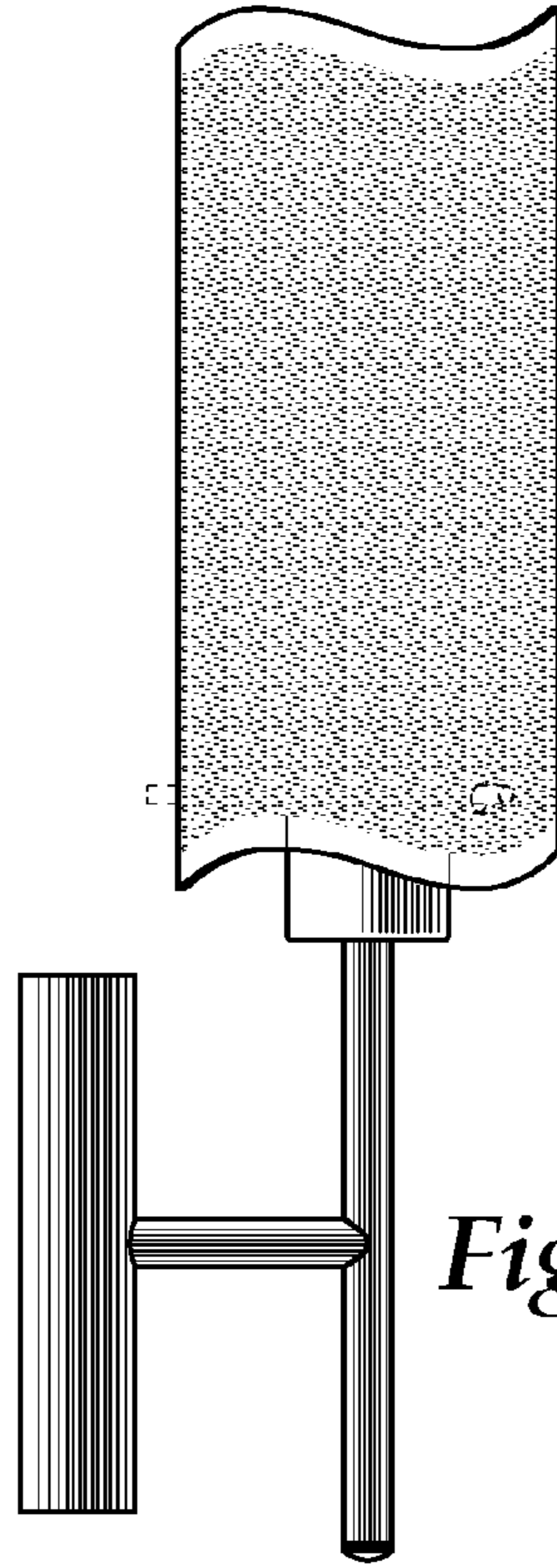


Fig.2

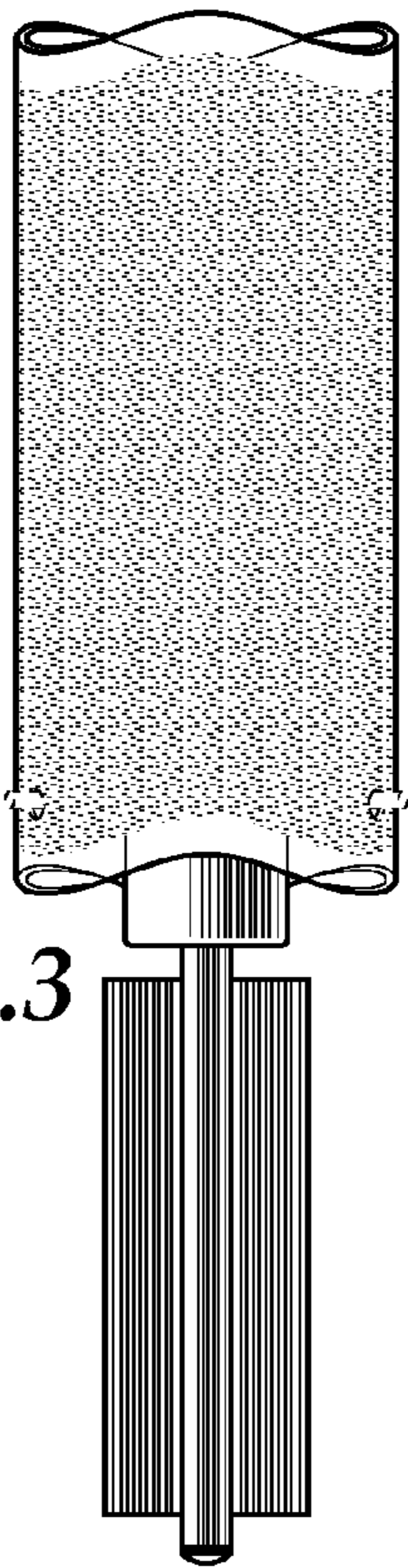


Fig.3

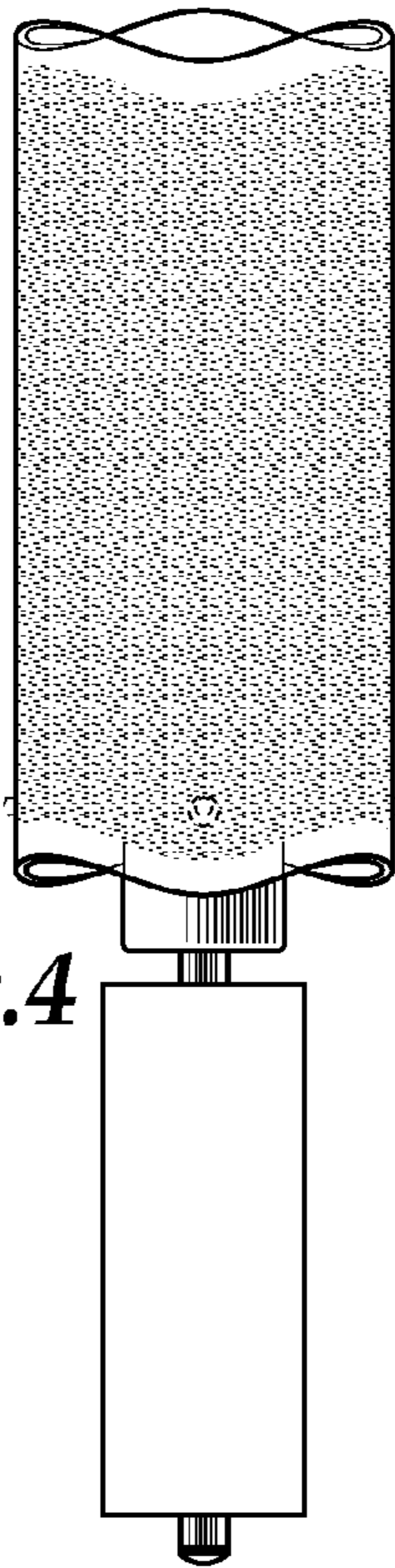


Fig.4

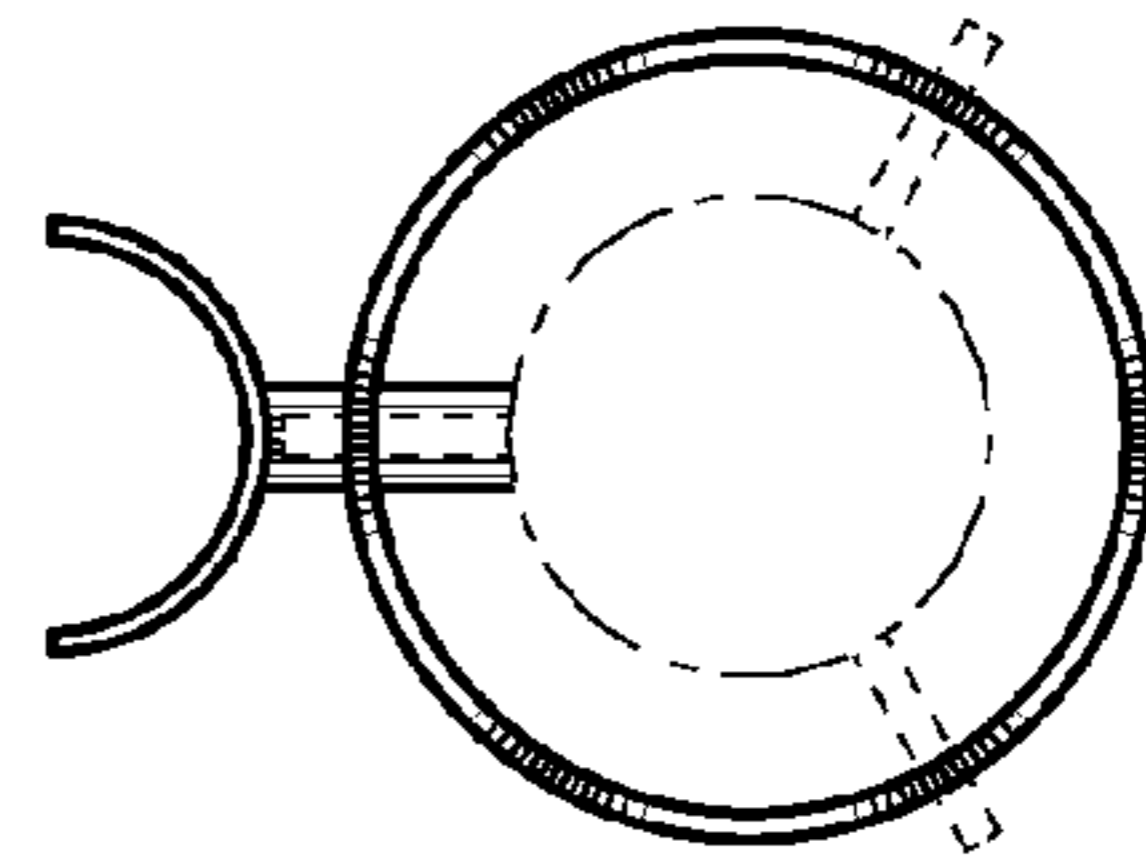


Fig.5

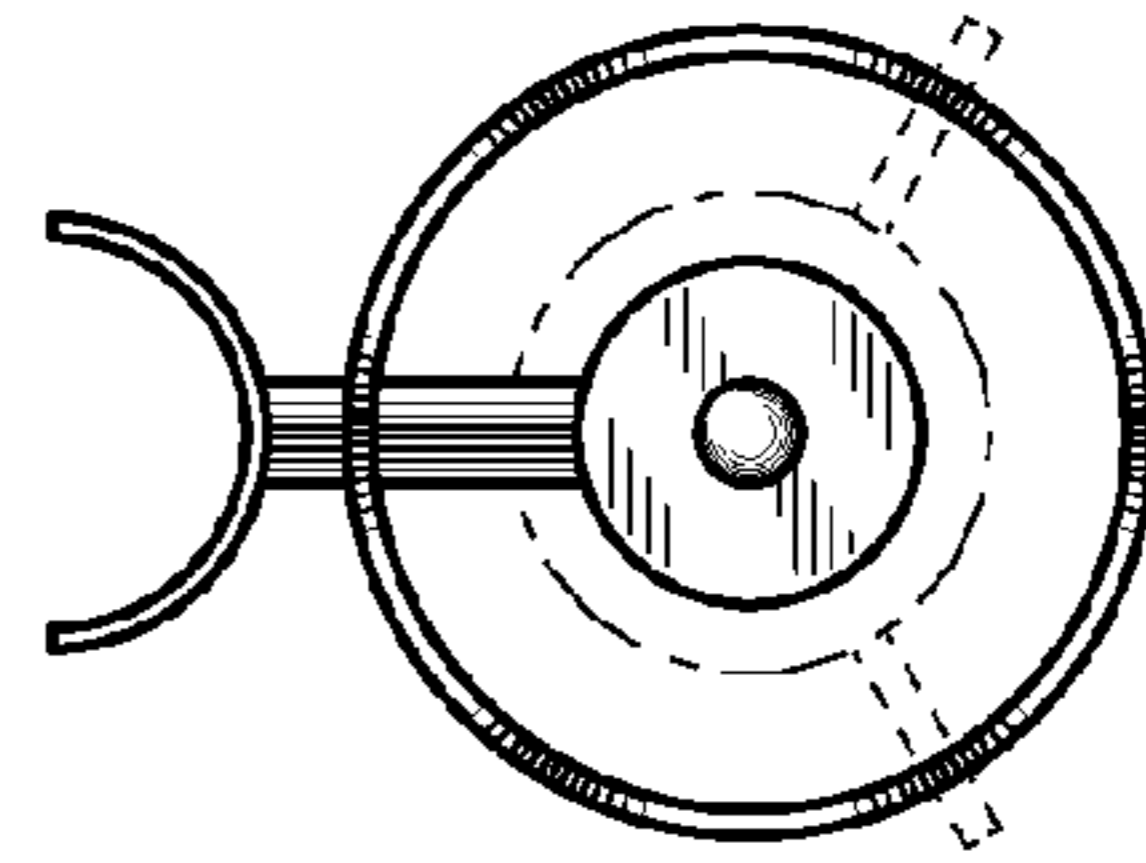


Fig.6