



US00D634048S

(12) **United States Design Patent**
Lombardi et al.

(10) **Patent No.:** **US D634,048 S**

(45) **Date of Patent:** **** Mar. 8, 2011**

(54) **LAMPHOLDER WITH OCCUPANCY SENSOR**

(75) Inventors: **Alfred J. Lombardi**, Melville, NY (US);
Kangpin Tee, Brooklyn, NY (US)

(73) Assignee: **Leviton Manufacturing Co., Inc.**,
Melville, NY (US)

(**) Term: **14 Years**

(21) Appl. No.: **29/356,858**

(22) Filed: **Mar. 3, 2010**

(51) **LOC (9) Cl.** **26-03**

(52) **U.S. Cl.** **D26/85; D26/89**

(58) **Field of Classification Search** D26/24,
D26/67, 72, 74, 76, 85, 88, 89, 118, 128;
362/147, 294.02, 373, 453, 454, 404-408,
362/432, 490, 493; 40/576

See application file for complete search history.

(56) **References Cited**

U.S. PATENT DOCUMENTS

D39,564 S *	9/1908	Estep	D26/24
D57,574 S *	4/1921	Bernecker	D26/24
D74,527 S *	2/1928	Von Nessen	D26/72
D87,355 S *	7/1932	Pospisil	D26/72
D197,530 S *	2/1964	Jaffe, Jr.	D26/85
3,225,185 A *	12/1965	Bertolini et al.	362/647
D343,471 S *	1/1994	Belisle et al.	D26/85
D385,643 S *	10/1997	Brohard et al.	D26/71
D392,407 S *	3/1998	Johnson et al.	D26/67
D509,007 S *	8/2005	Shimada	D26/28
D542,072 S	5/2007	Moshopoulos		
D542,073 S	5/2007	Moshopoulos		
D564,129 S	3/2008	Tufano		
D567,401 S *	4/2008	Mason, II	D26/24
D577,854 S	9/2008	Tufano et al.		
D591,446 S	4/2009	Tufano		
7,712,949 B2	5/2010	Tufano		

* cited by examiner

Primary Examiner — Clare E Hefflin

(74) *Attorney, Agent, or Firm* — Carter, DeLuca, Farrell & Schmidt, LLP

(57) **CLAIM**

The ornamental design for a lampholder with occupancy sensor, as shown and described.

DESCRIPTION

FIG. 1 is a front right perspective view of the lampholder with occupancy sensor showing a first embodiment of our new design;

FIG. 2 is a front view thereof;

FIG. 3 is a rear view thereof;

FIG. 4 is a top view thereof;

FIG. 5 is a bottom view thereof;

FIG. 6 is a left side view thereof;

FIG. 7 is a right side view thereof;

FIG. 8 is bottom right perspective view;

FIG. 9 is a front right perspective view of the lampholder with the cover removed;

FIG. 10 is a front view thereof with the cover removed;

FIG. 11 is a rear view thereof with the cover removed;

FIG. 12 is a top view thereof with the cover removed;

FIG. 13 is a left side view thereof with the cover removed;

FIG. 14 is a right side view thereof with the cover removed;

FIG. 15 is a front right perspective view of the lampholder with occupancy sensor showing a second embodiment of our new design;

FIG. 16 is a front view thereof;

FIG. 17 is a rear view thereof;

FIG. 18 is a top view thereof;

FIG. 19 is a bottom view thereof;

FIG. 20 is a left side view thereof;

FIG. 21 is a right side view thereof;

FIG. 22 is bottom right perspective view;

FIG. 23 is a front right perspective view of the lampholder with the cover removed;

FIG. 24 is a front view thereof with the cover removed;

FIG. 25 is a rear view thereof with the cover removed;

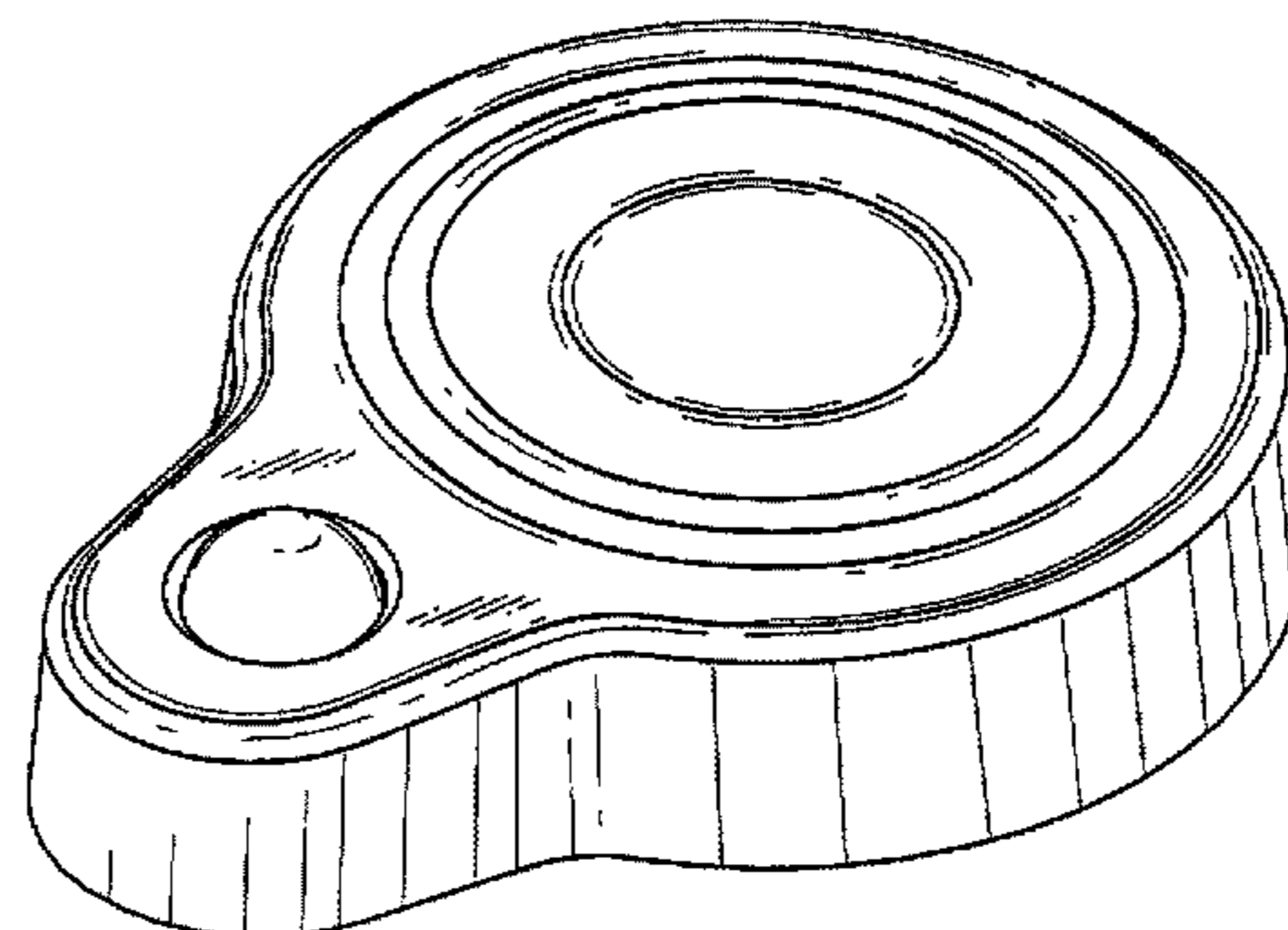
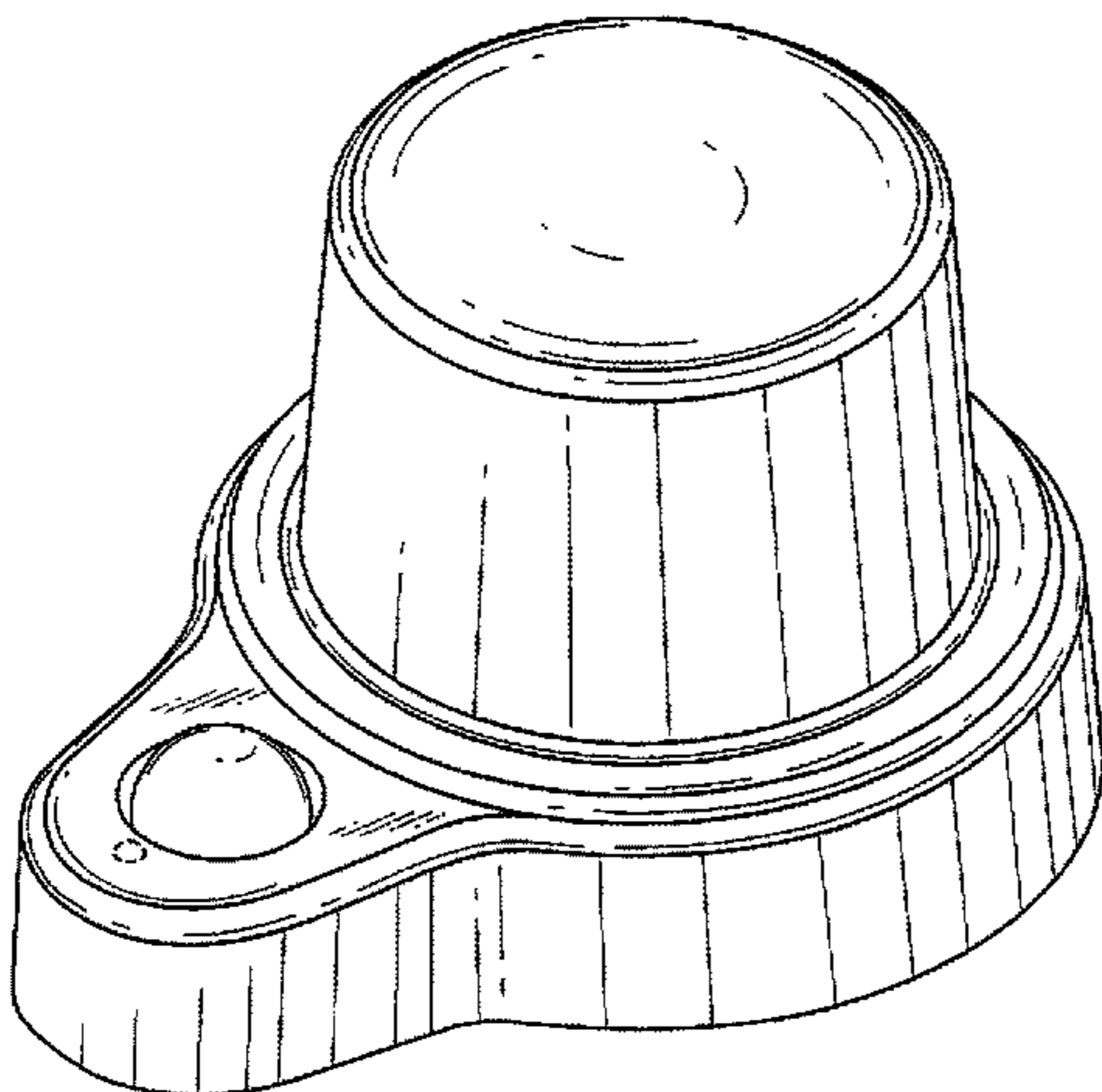
FIG. 26 is a top view thereof with the cover removed;

FIG. 27 is a left side view thereof with the cover removed; and,

FIG. 28 is a right side view thereof with the cover removed.

The broken lines shown on the first embodiment of the design depict portions of the article that form no part of the claim.

1 Claim, 16 Drawing Sheets



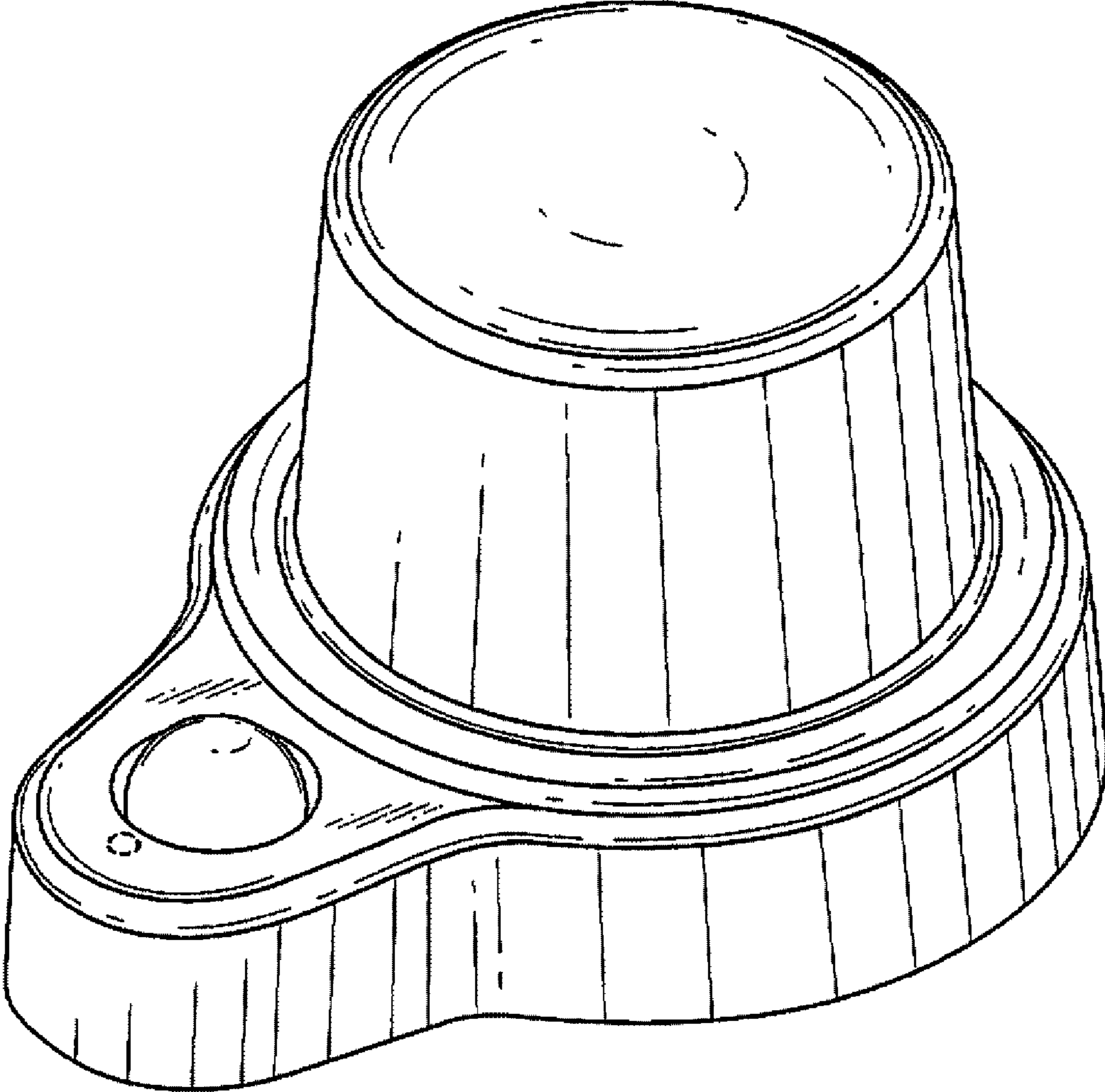


FIG. 1

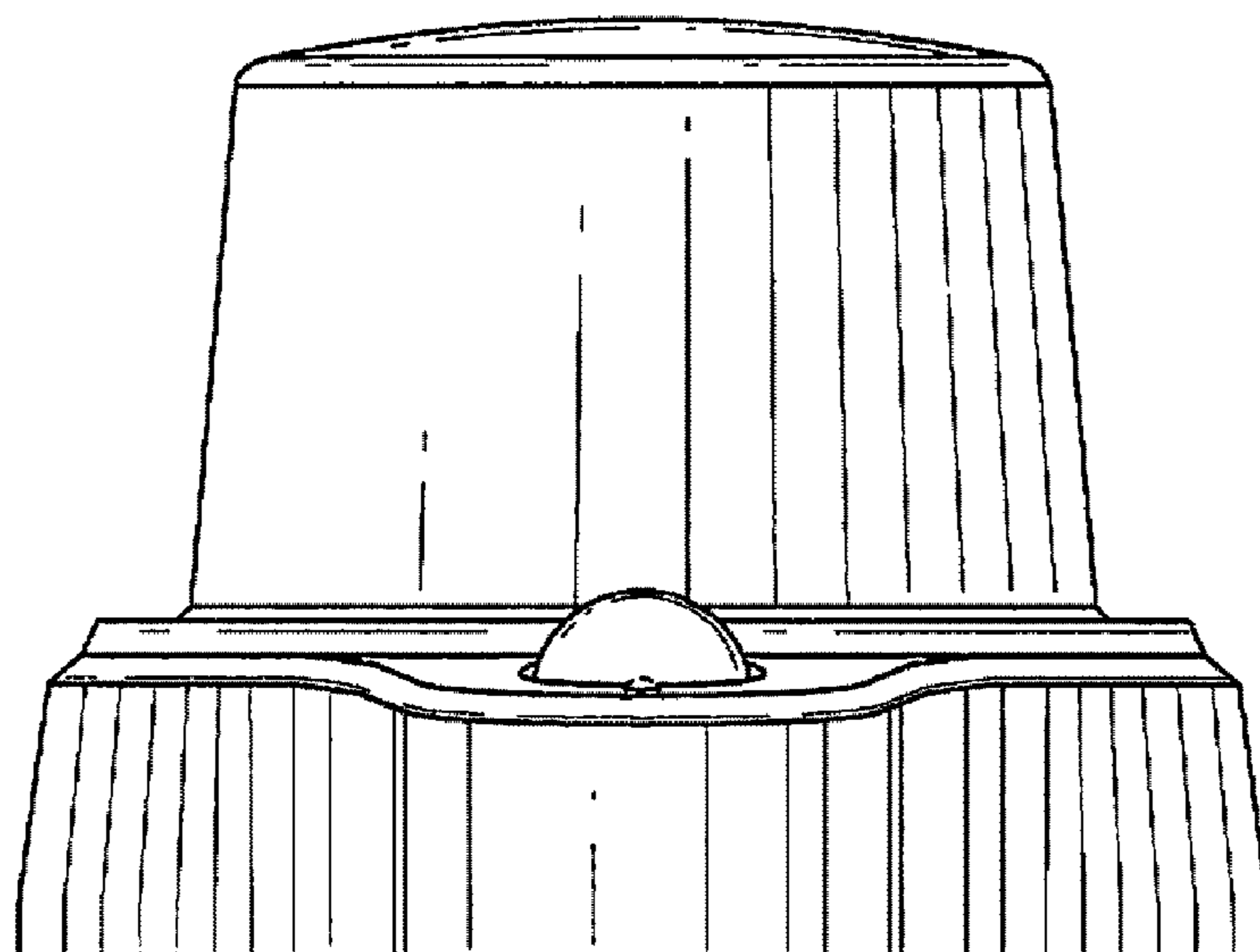


FIG. 2

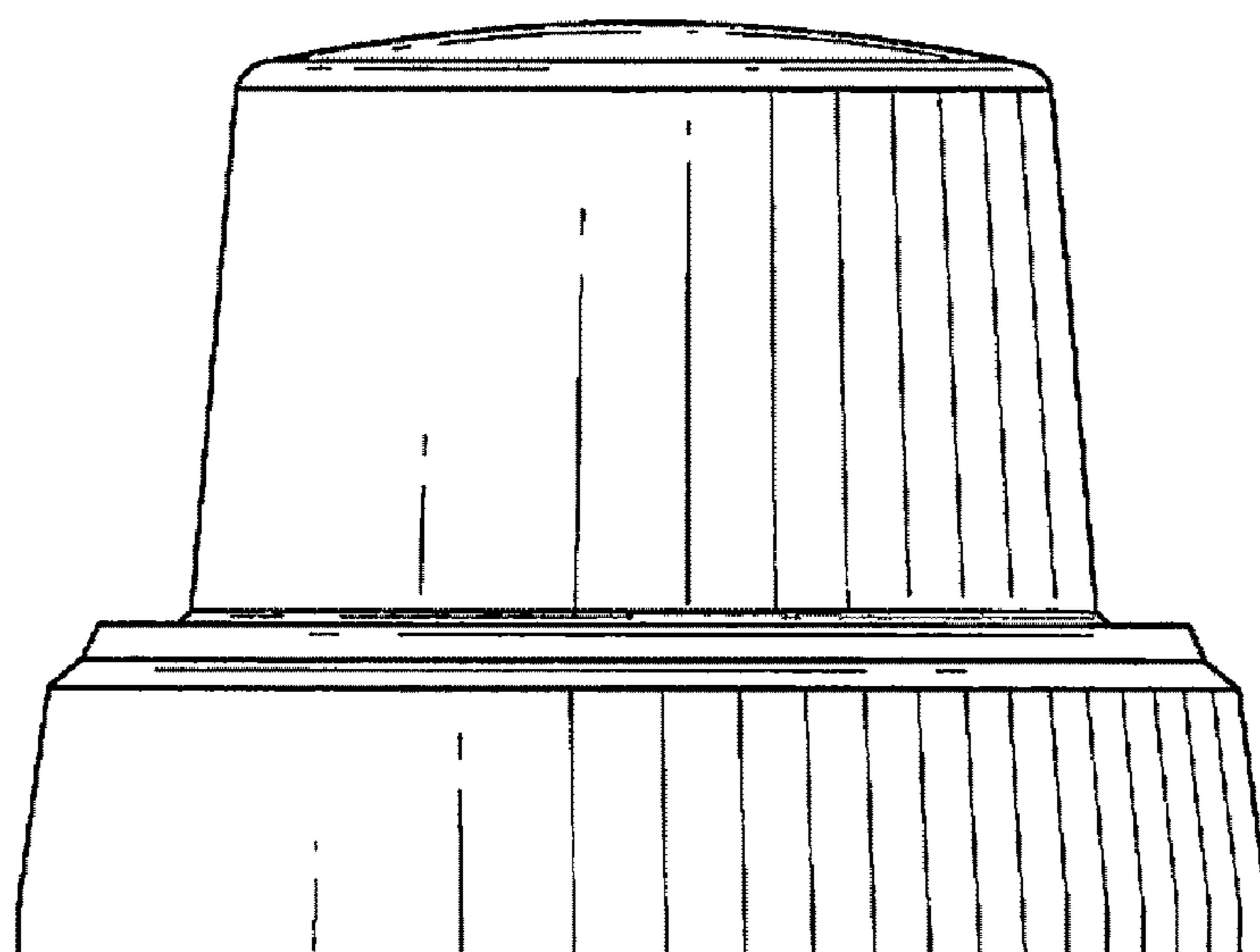


FIG. 3

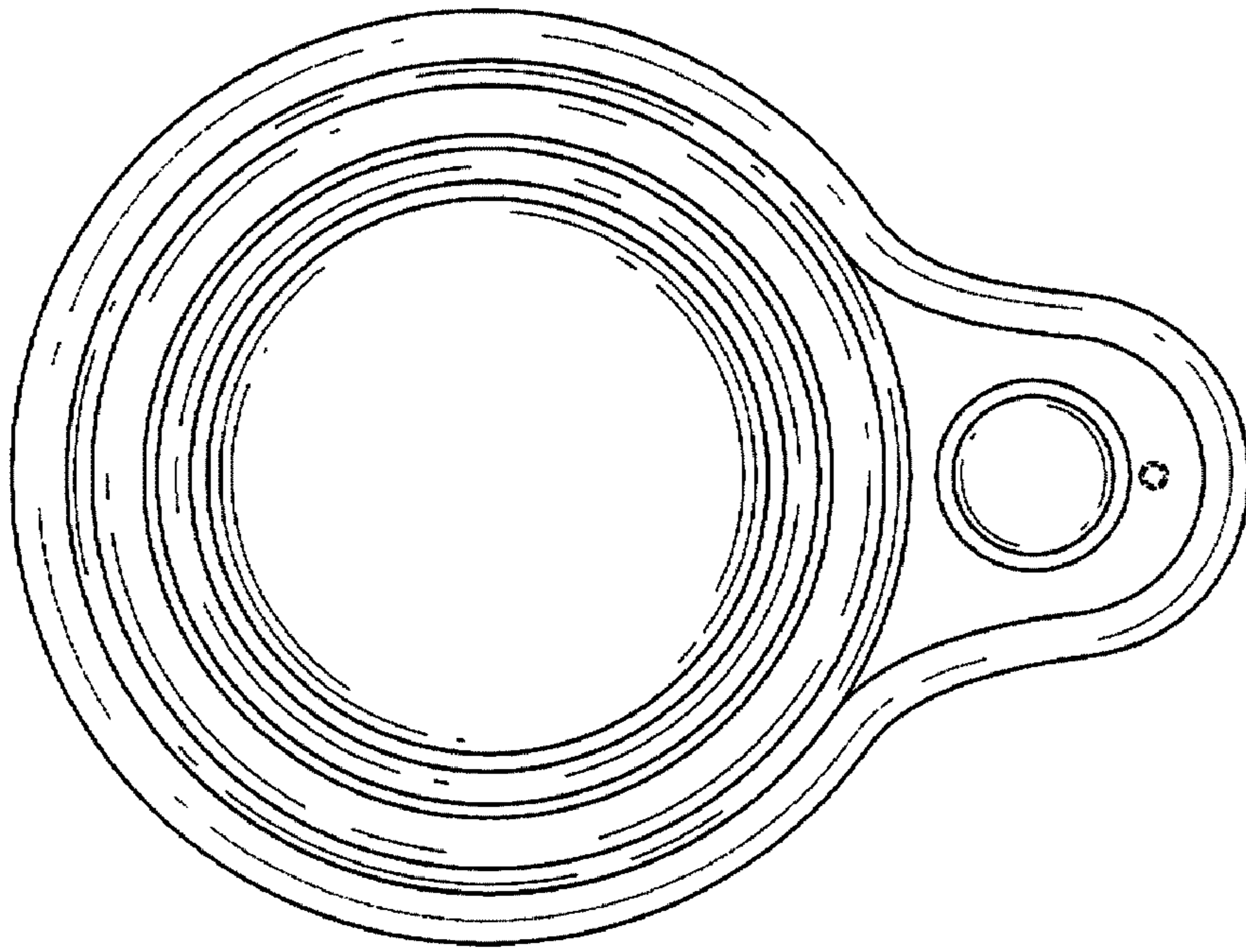


FIG. 4

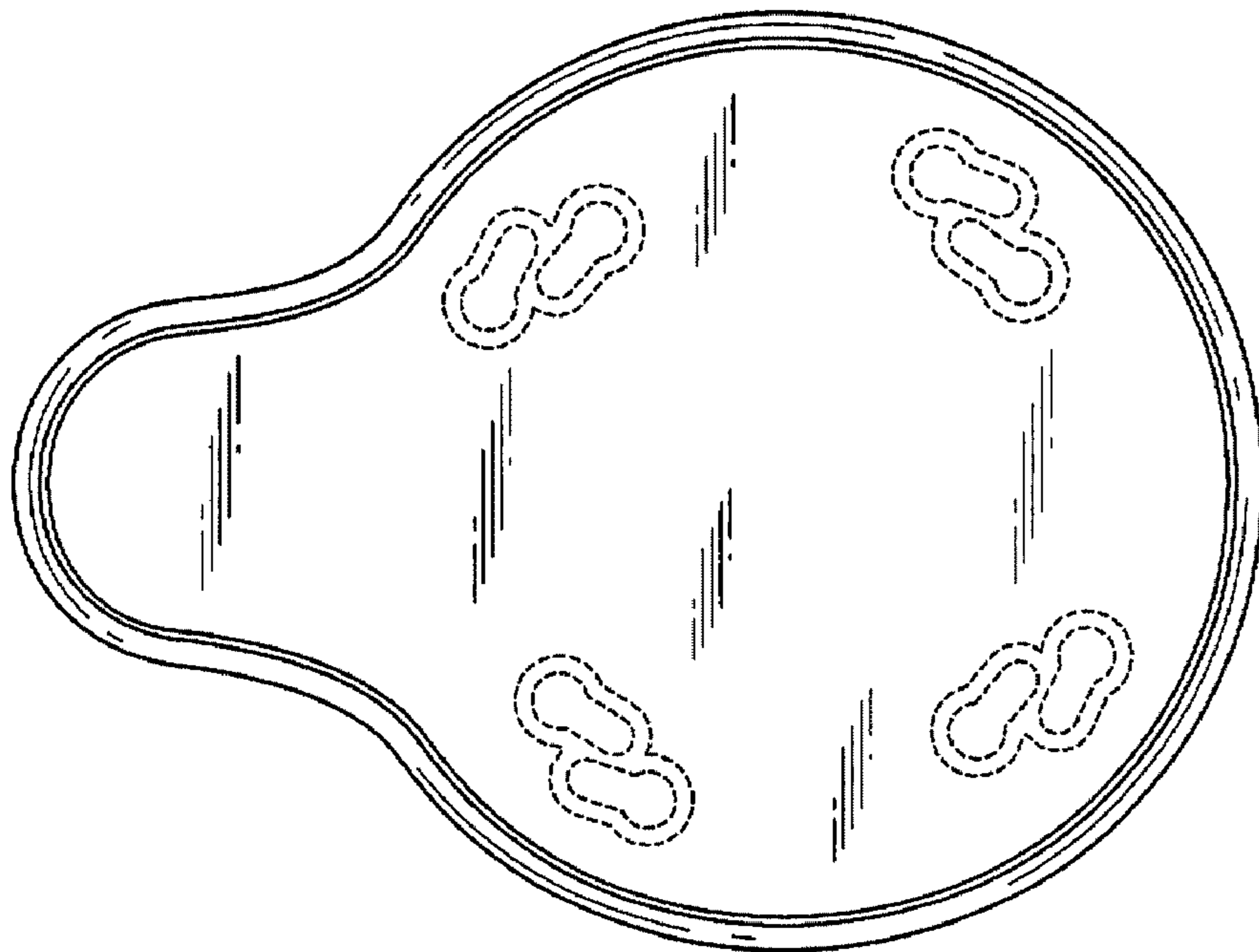


FIG. 5

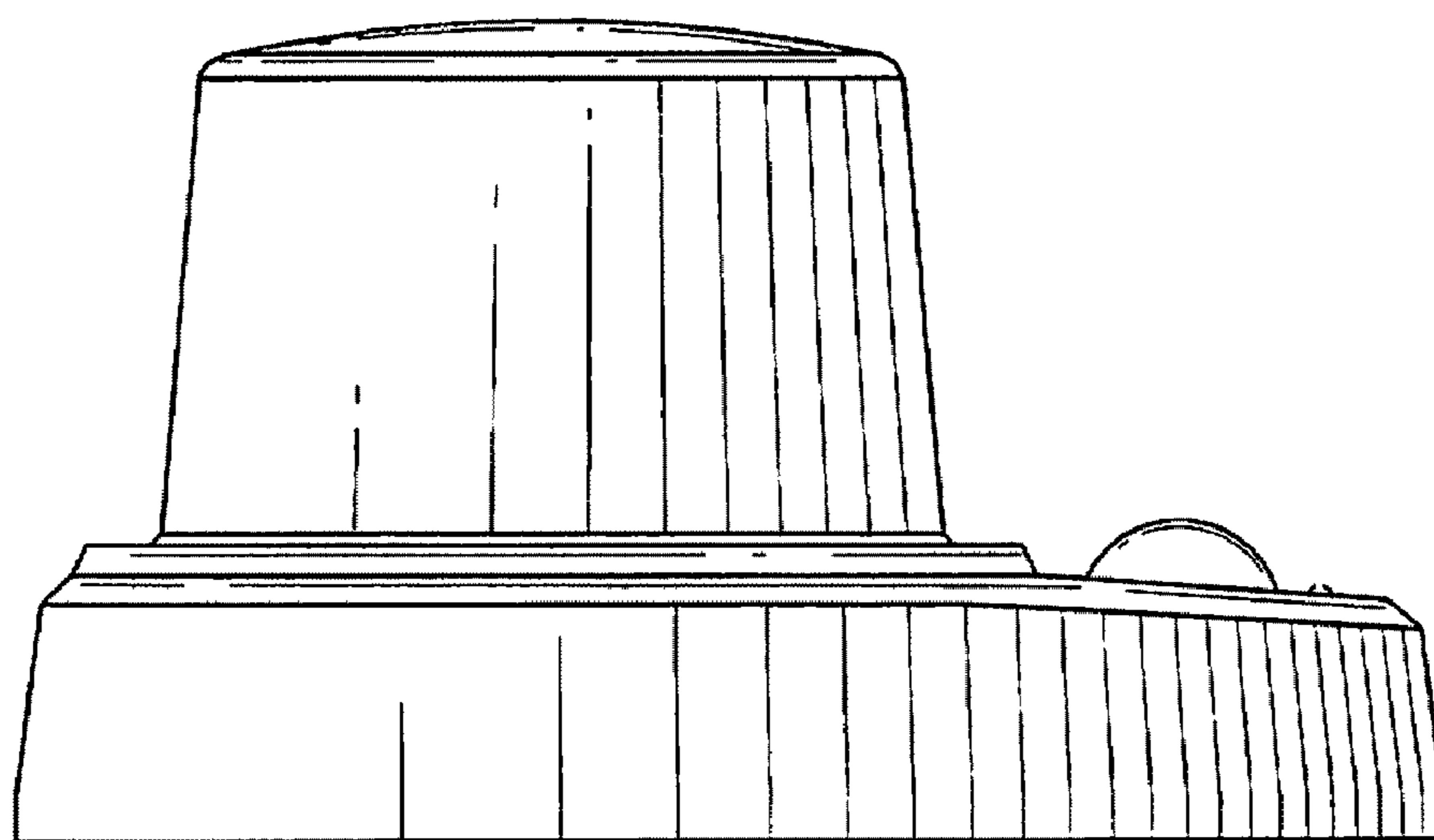


FIG. 6

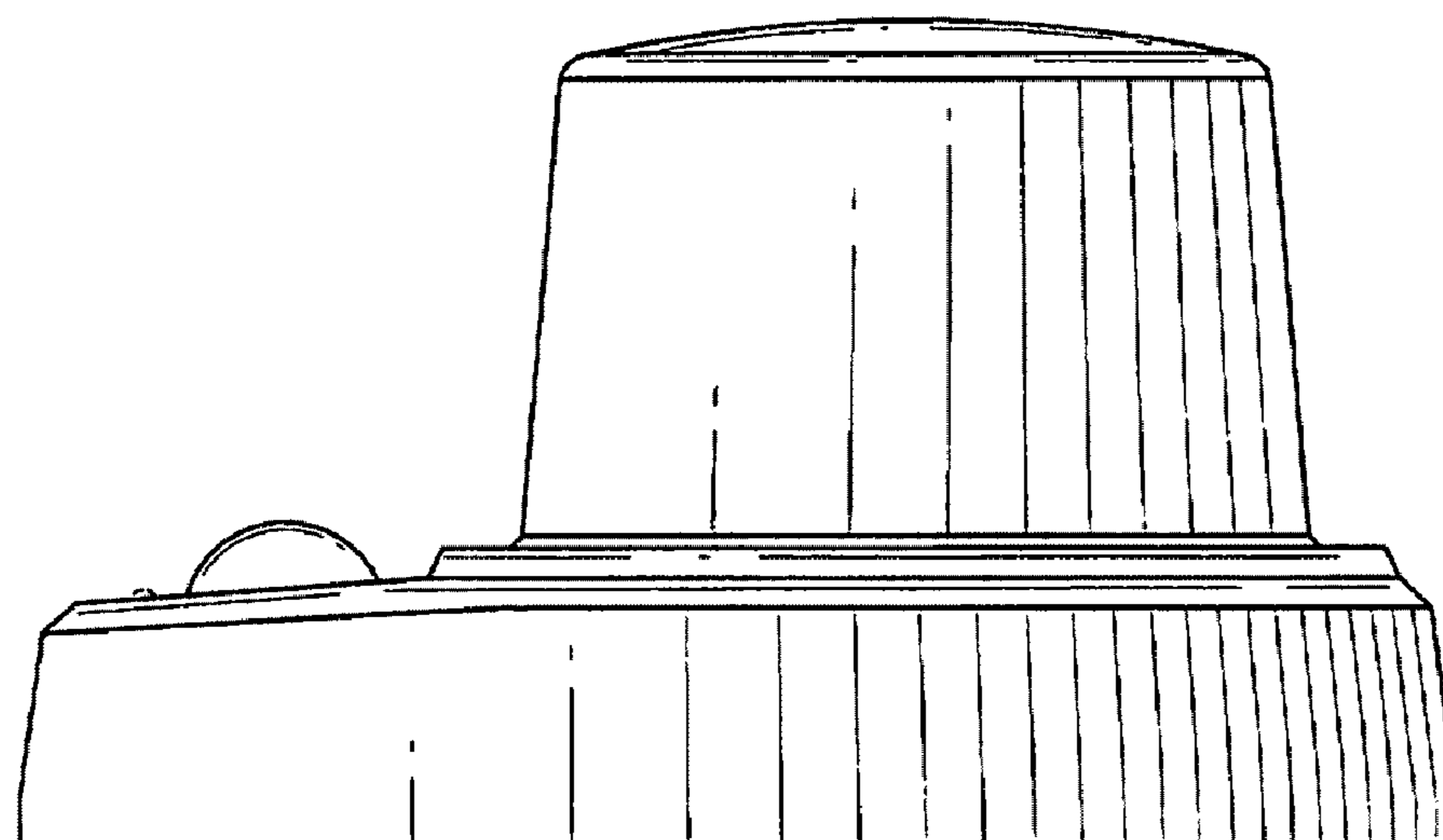


FIG. 7

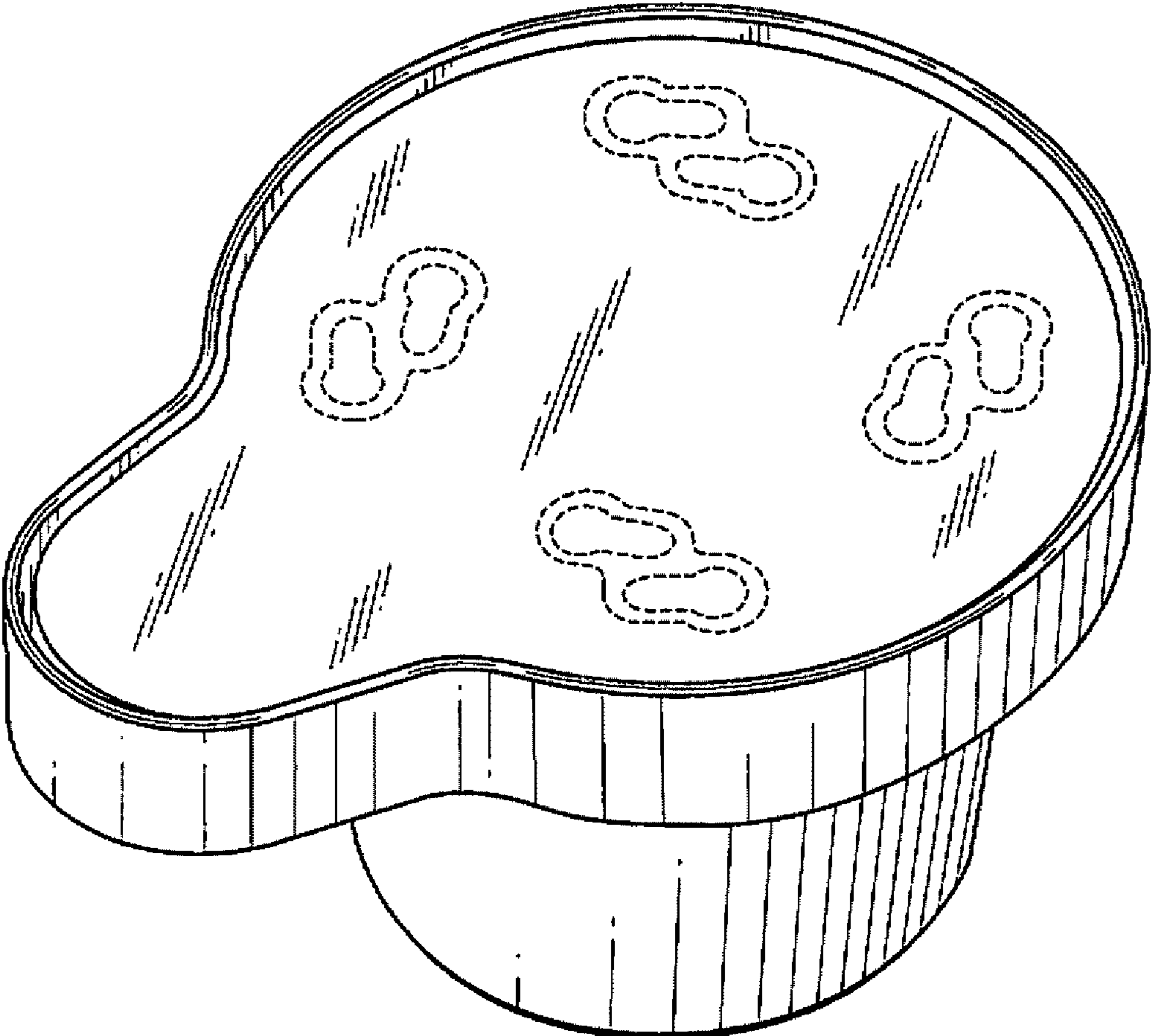


FIG. 8

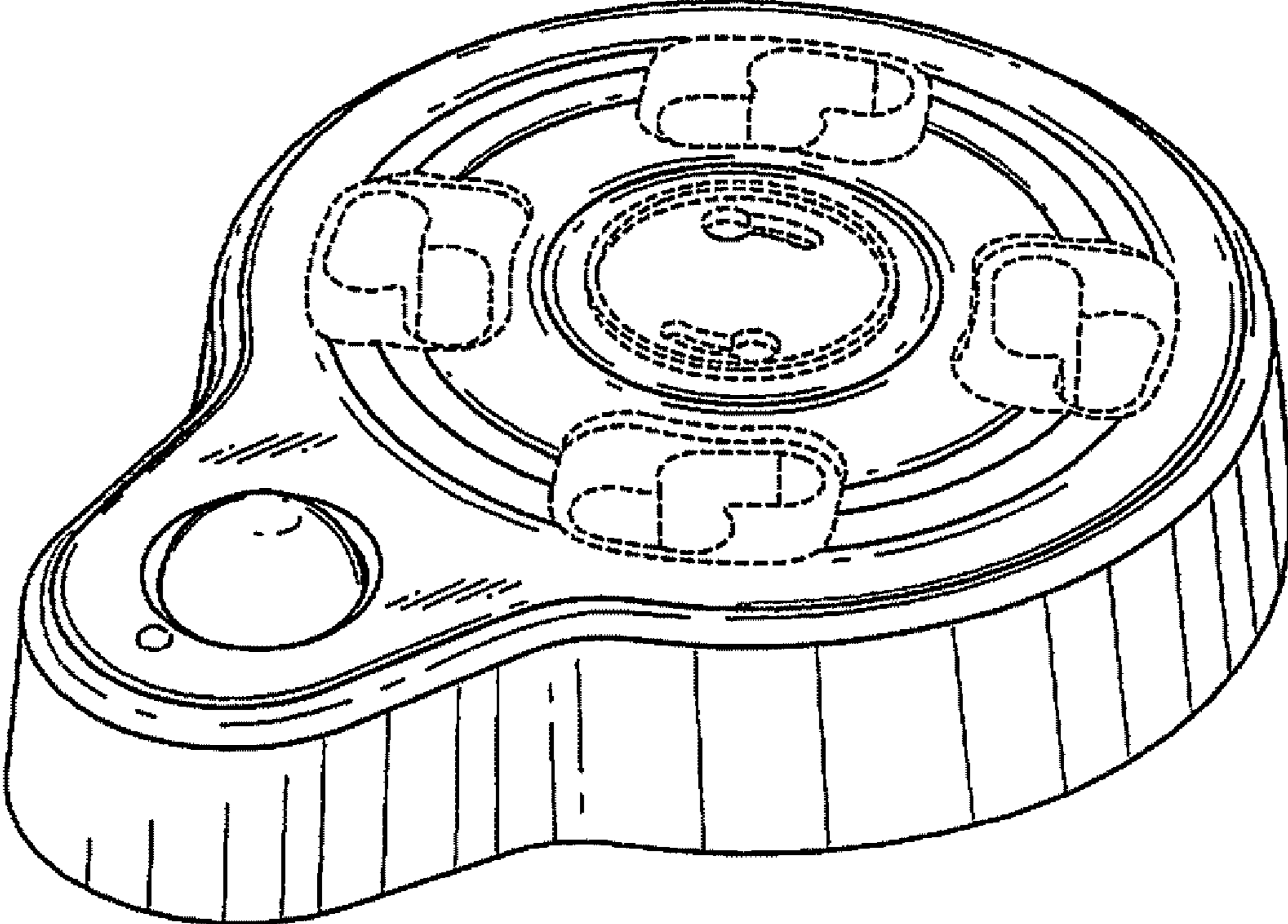


FIG. 9

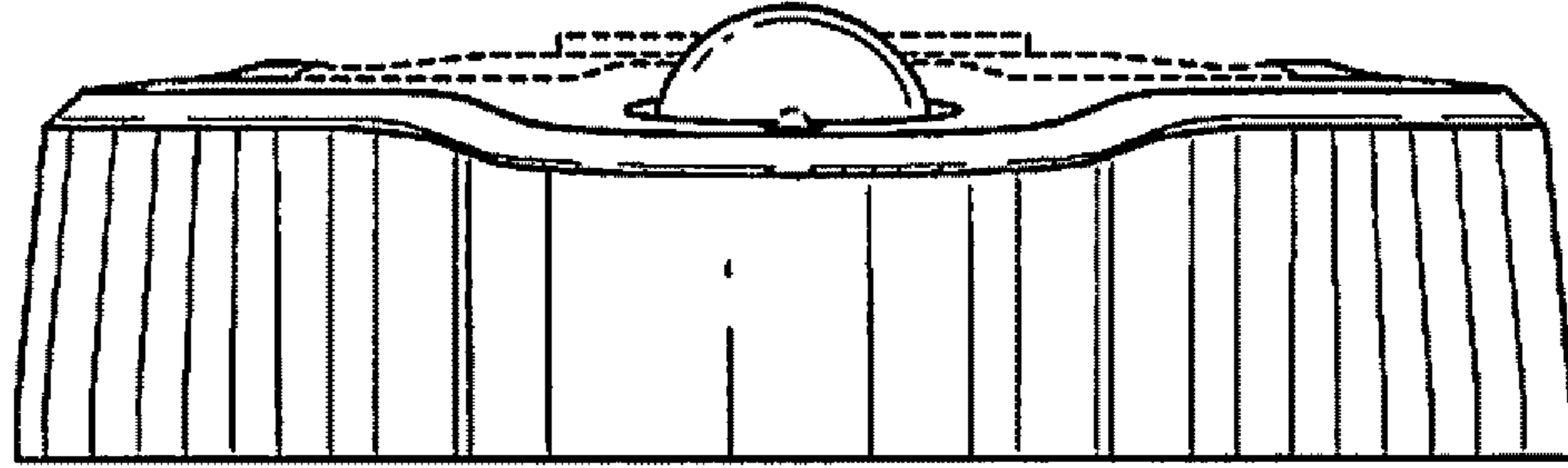


FIG. 10

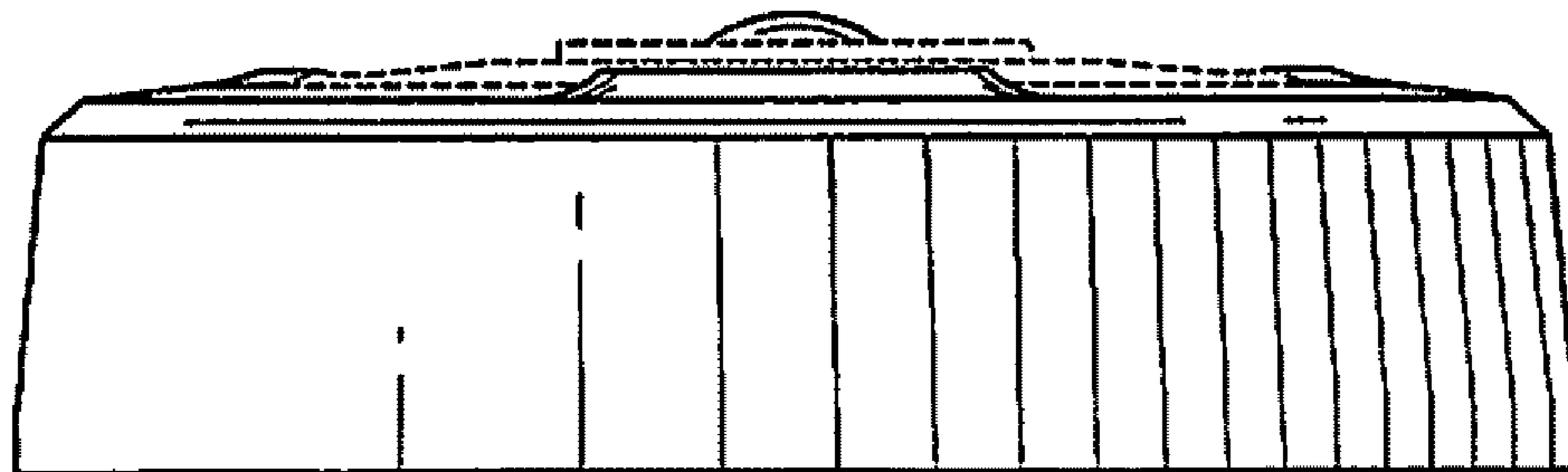


FIG. 11

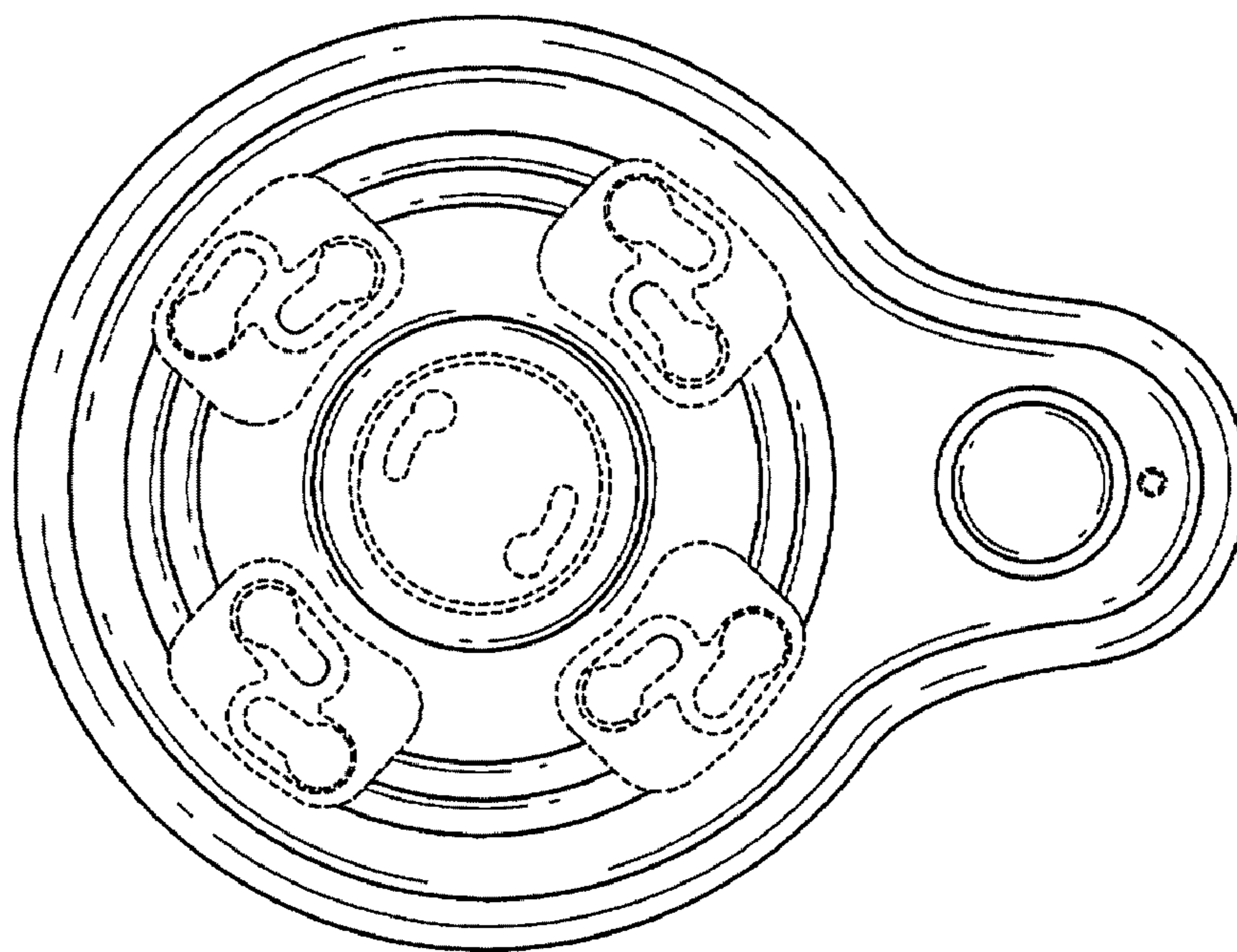


FIG. 12

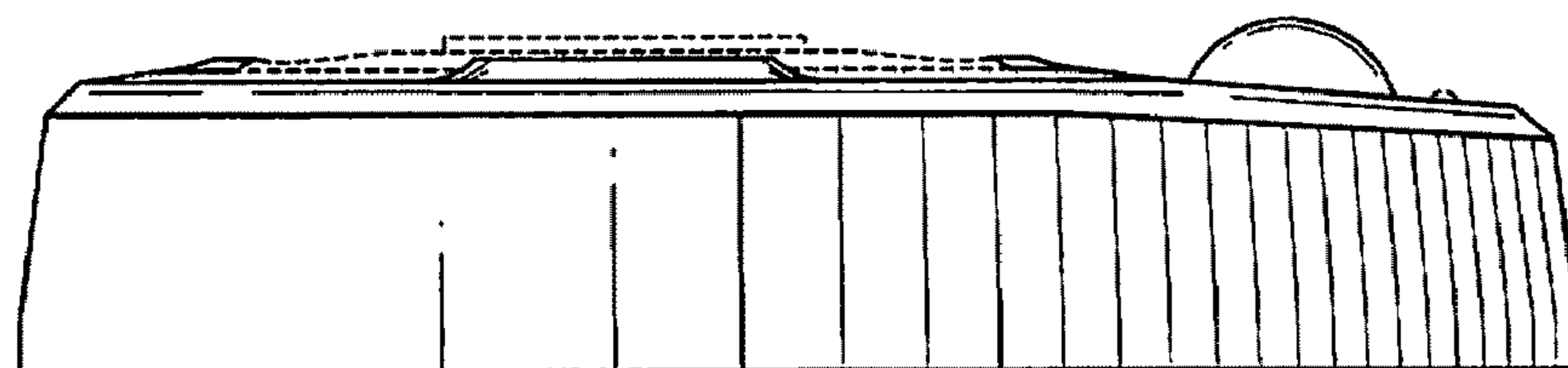


FIG. 13

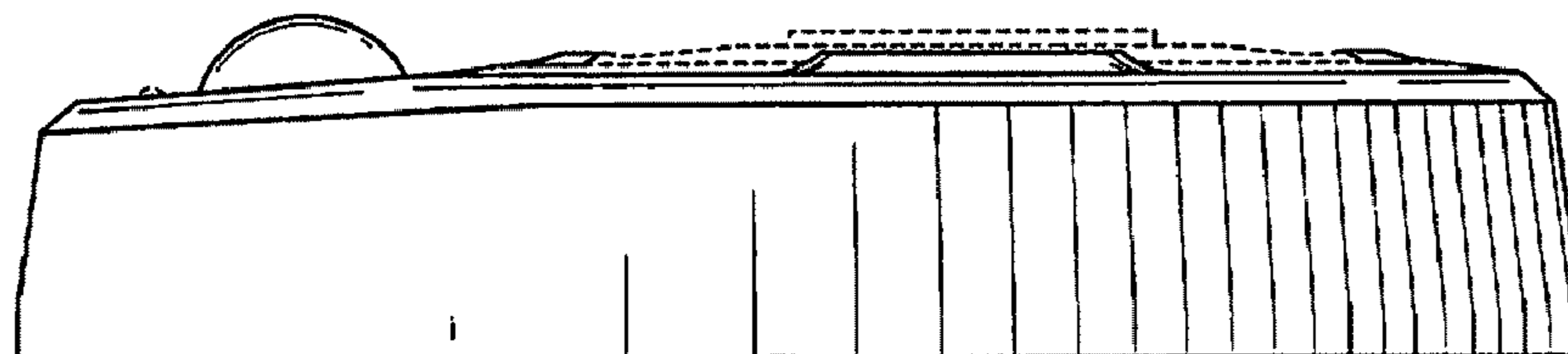


FIG. 14

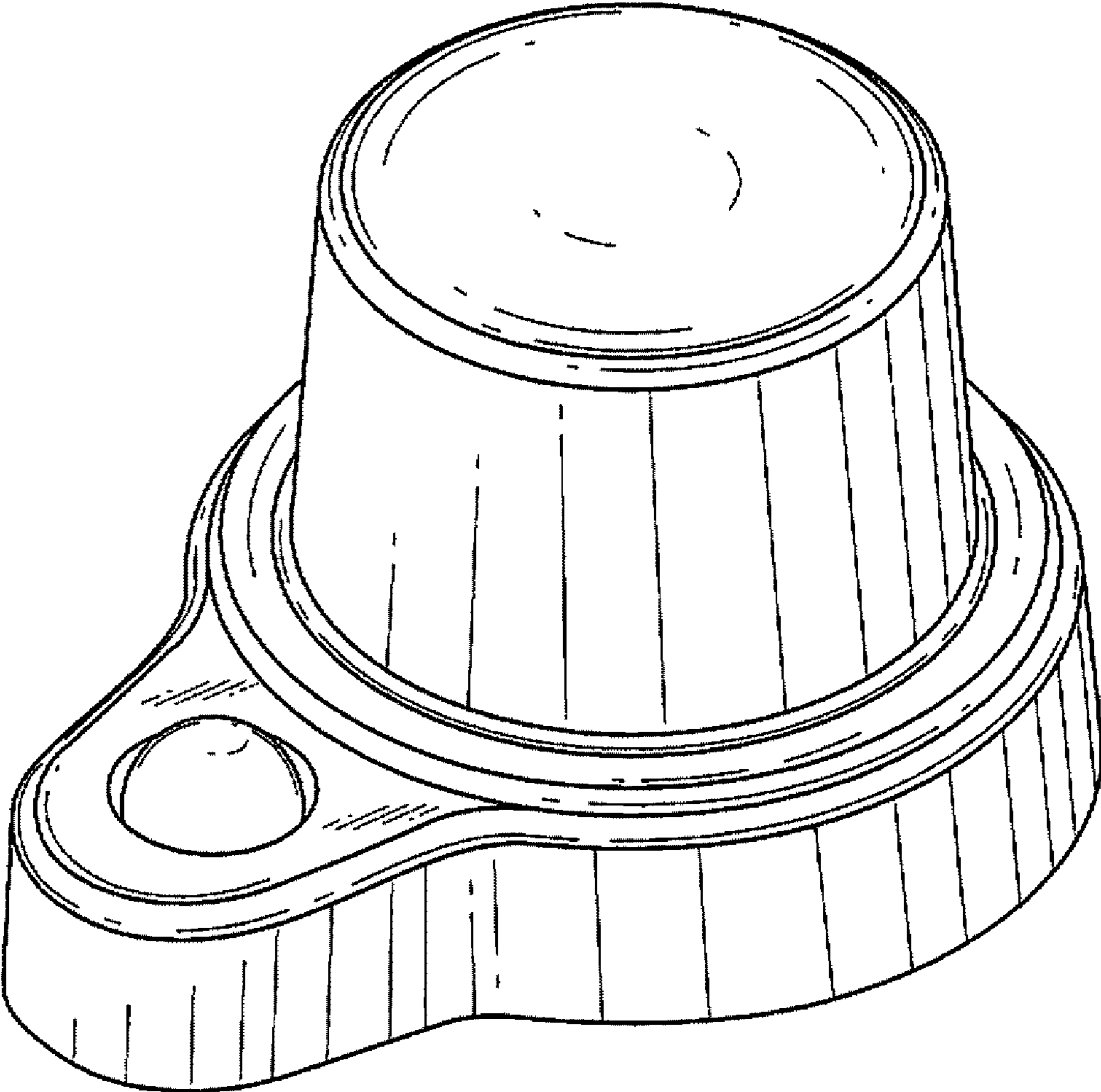


FIG. 15

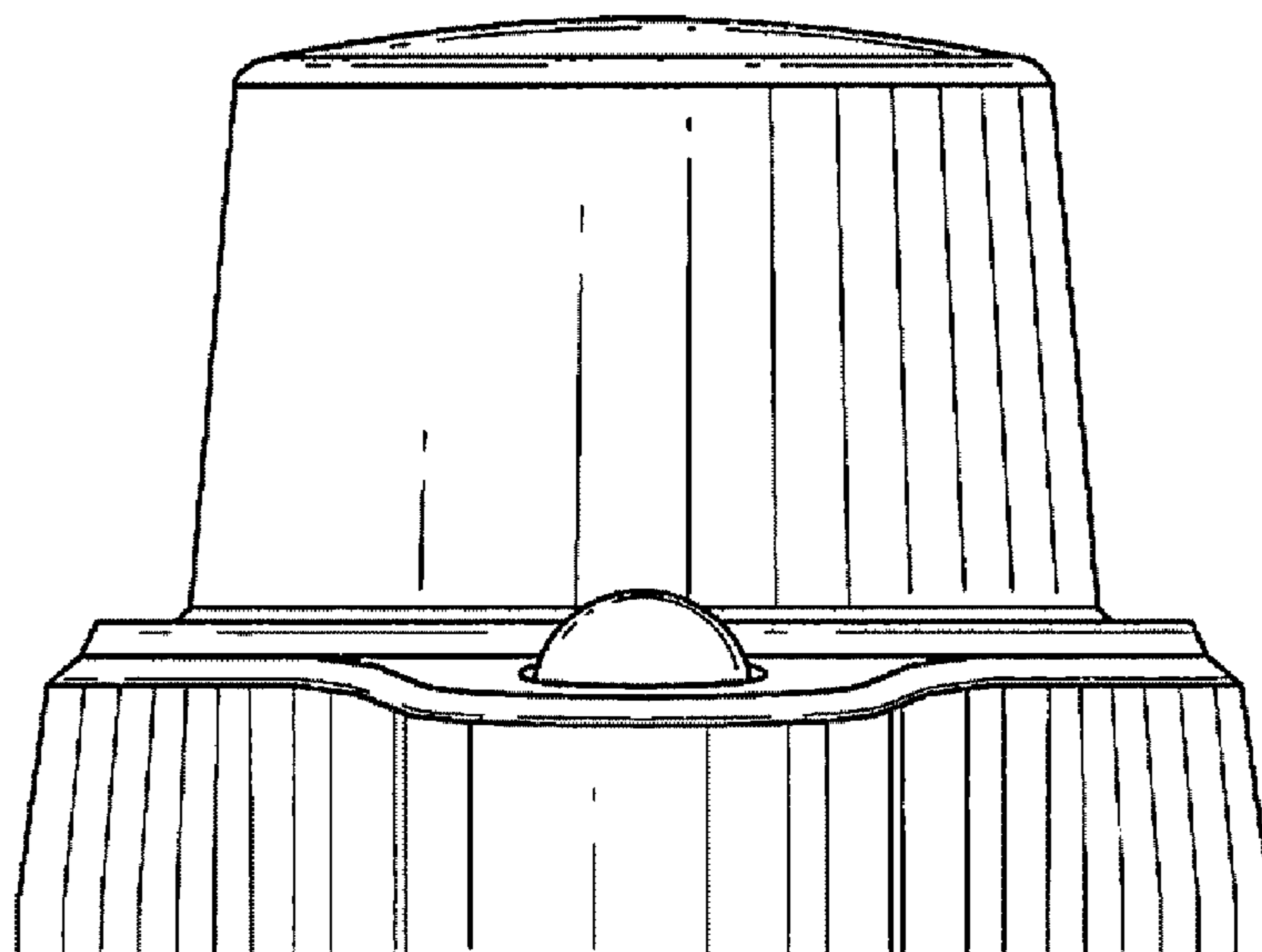


FIG. 16

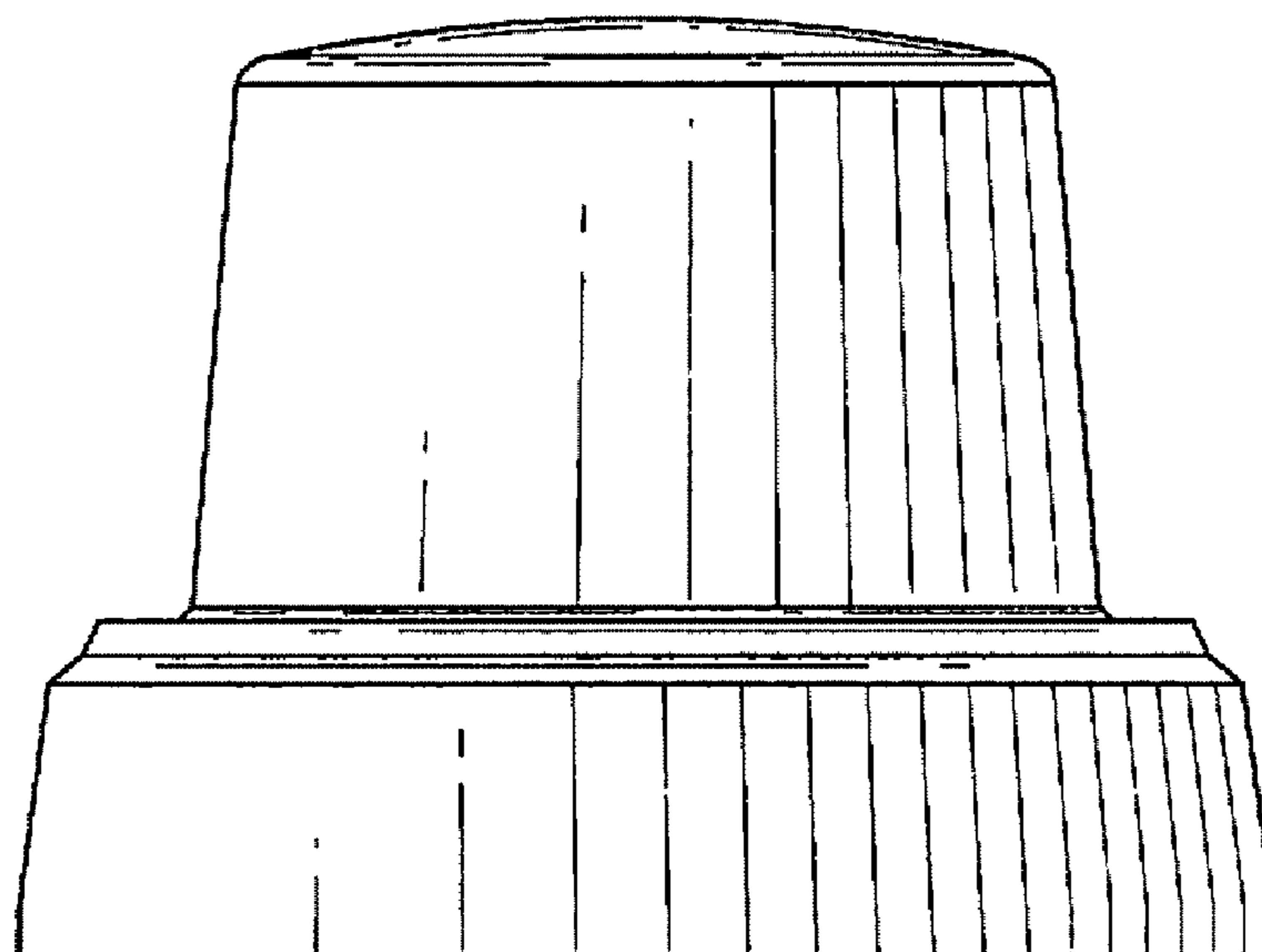


FIG. 17

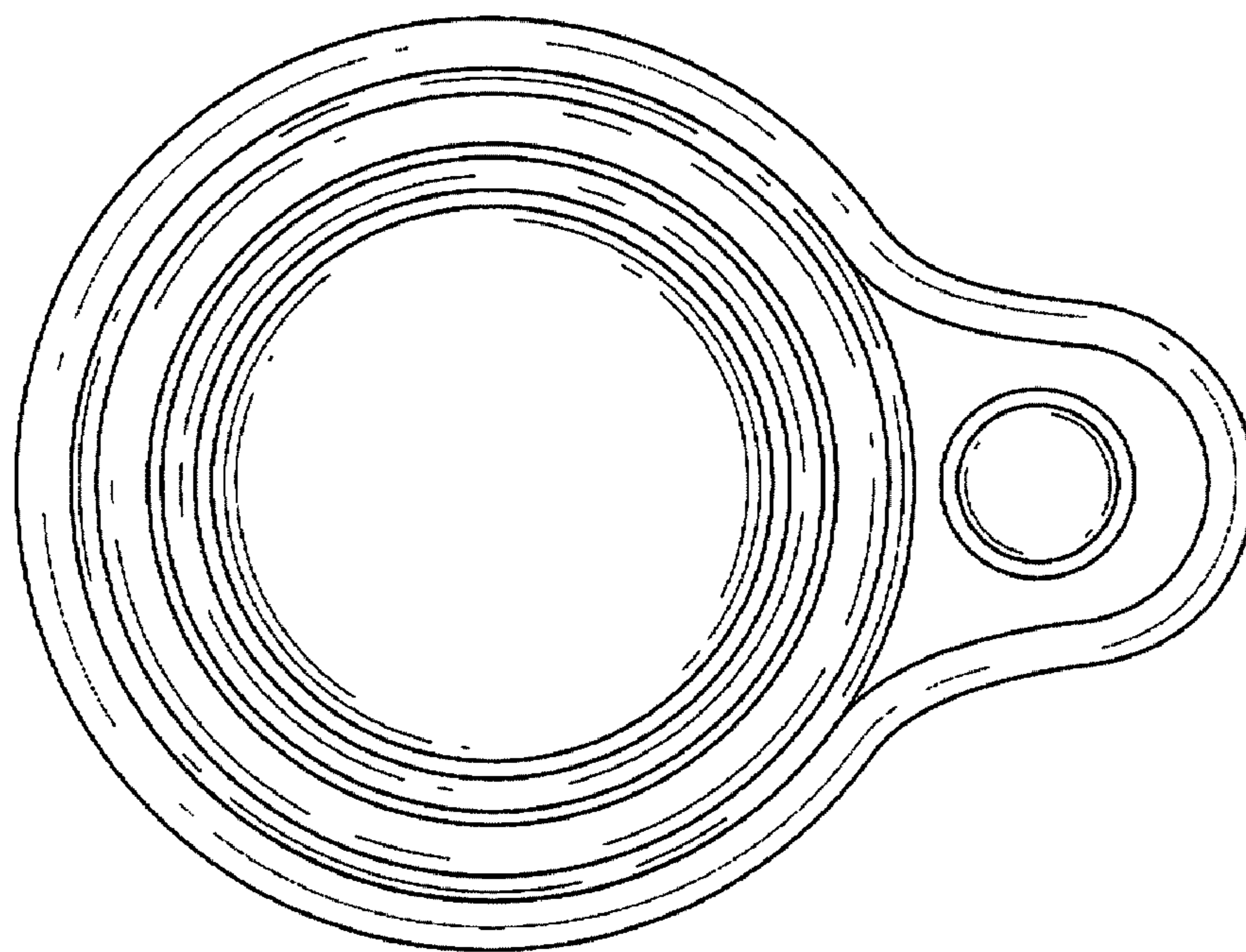


FIG. 18

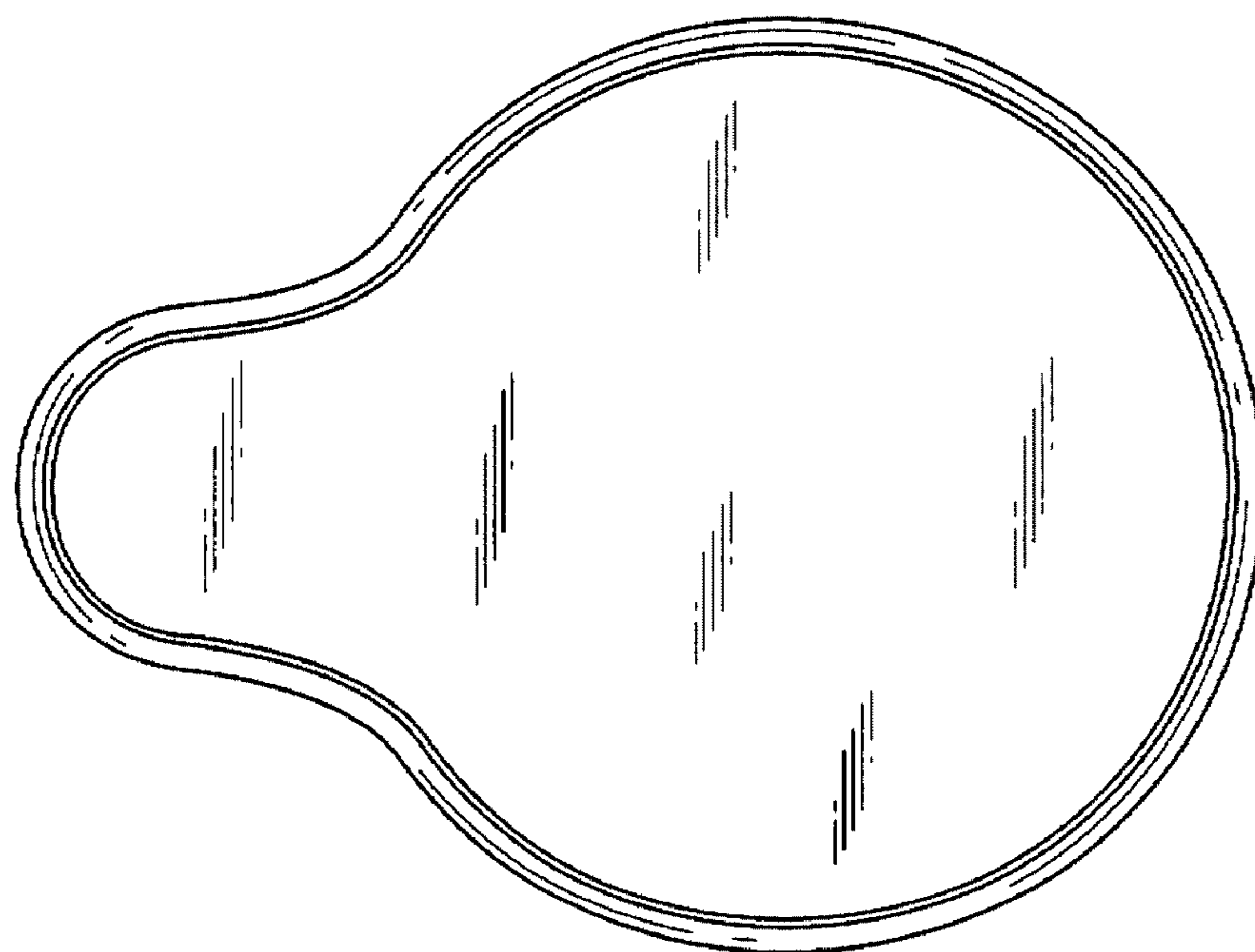


FIG. 19

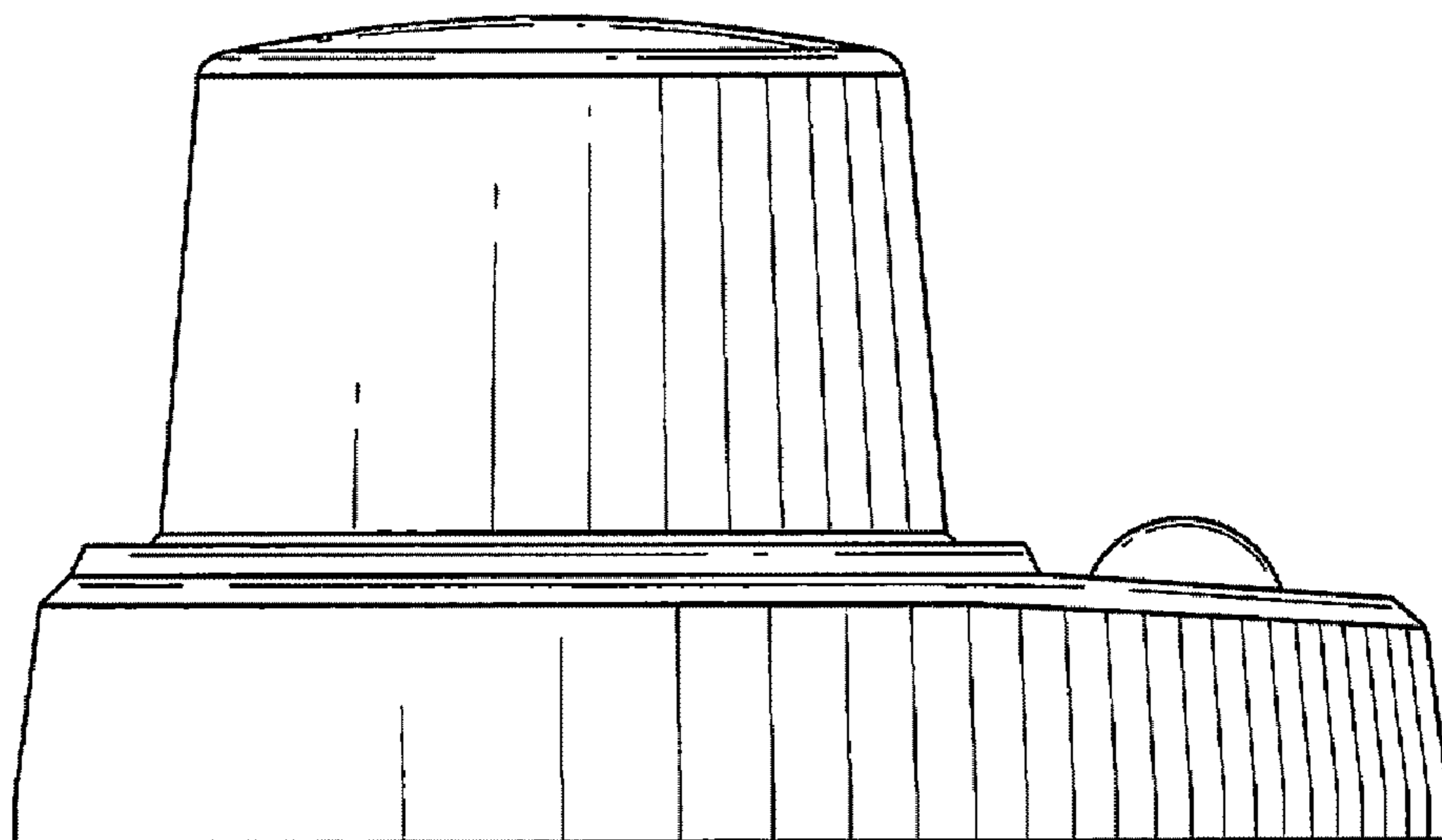


FIG. 20

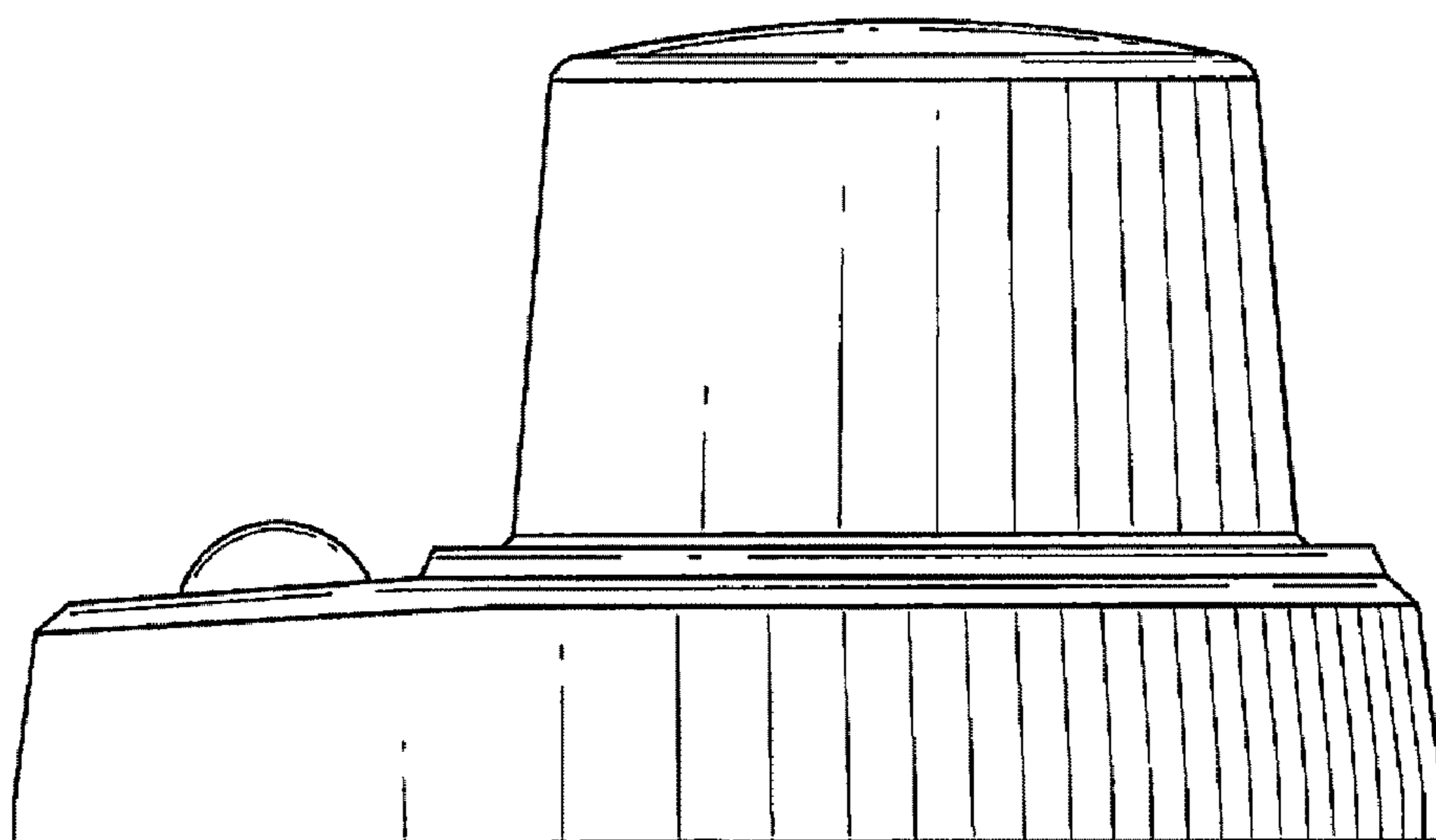


FIG. 21

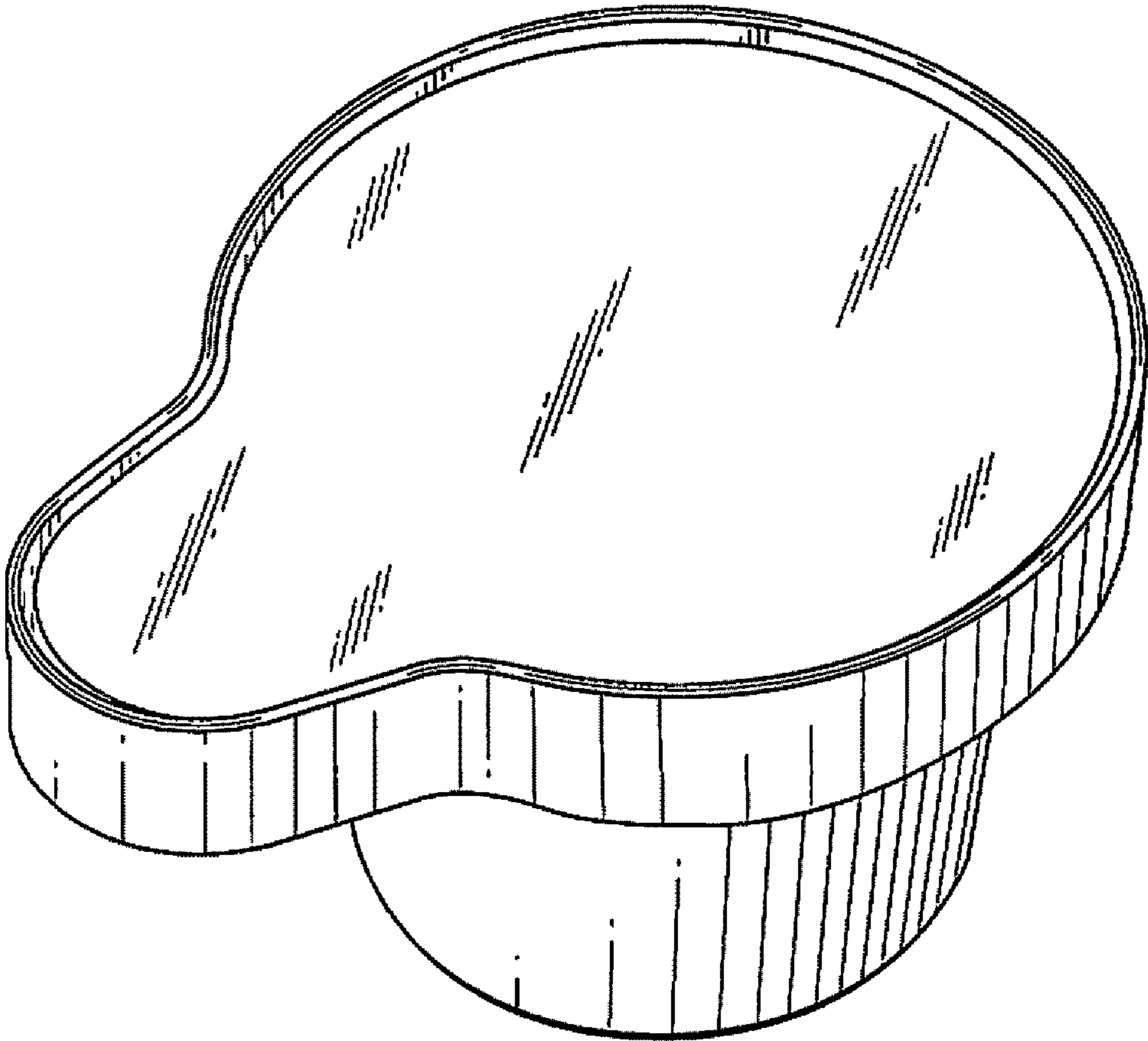


FIG. 22

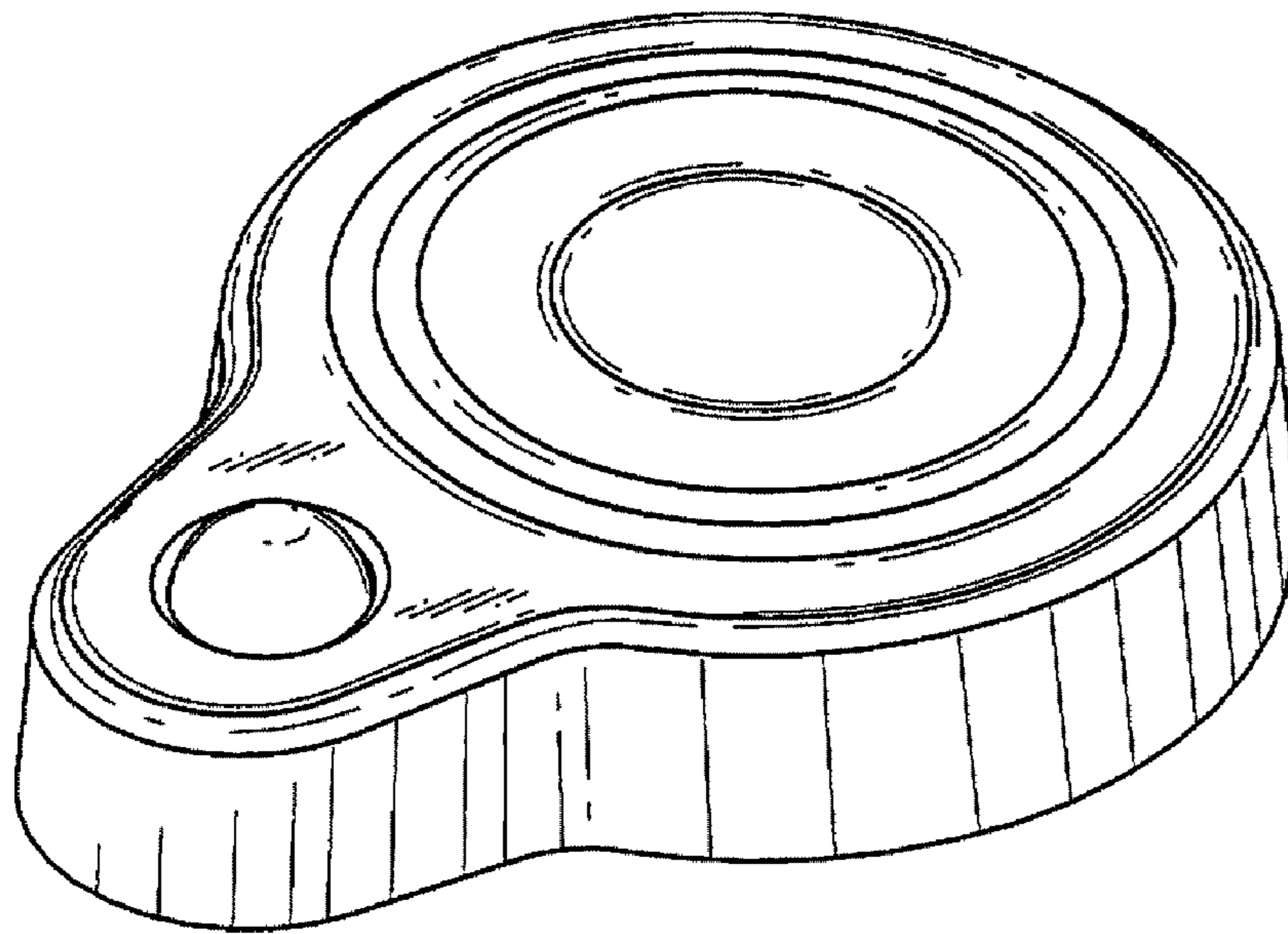


FIG. 23

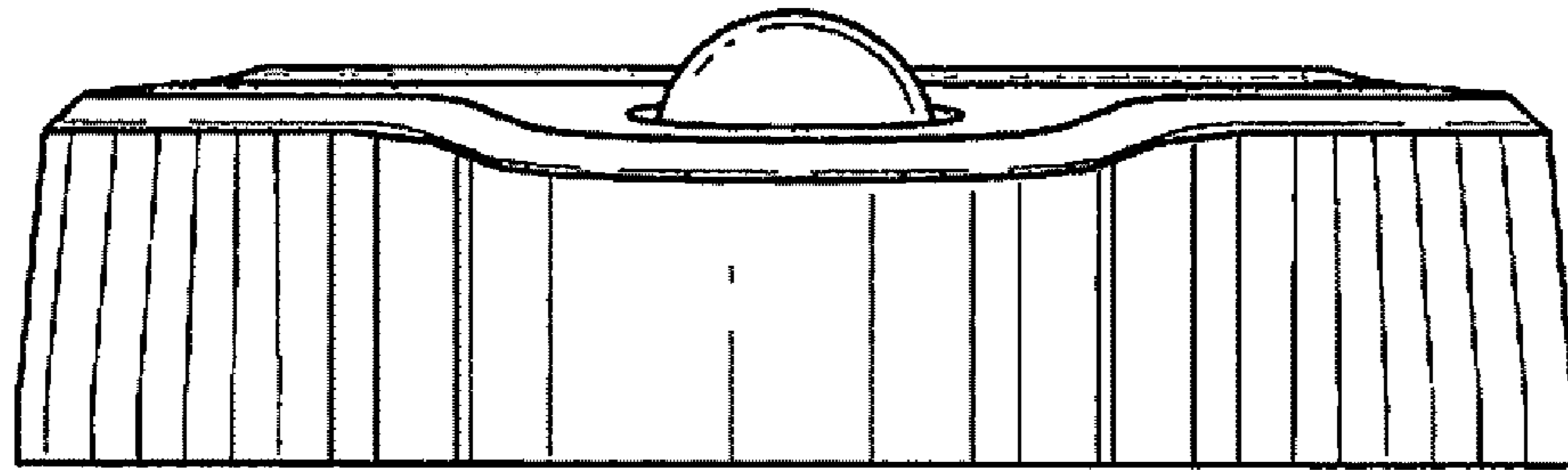


FIG. 24

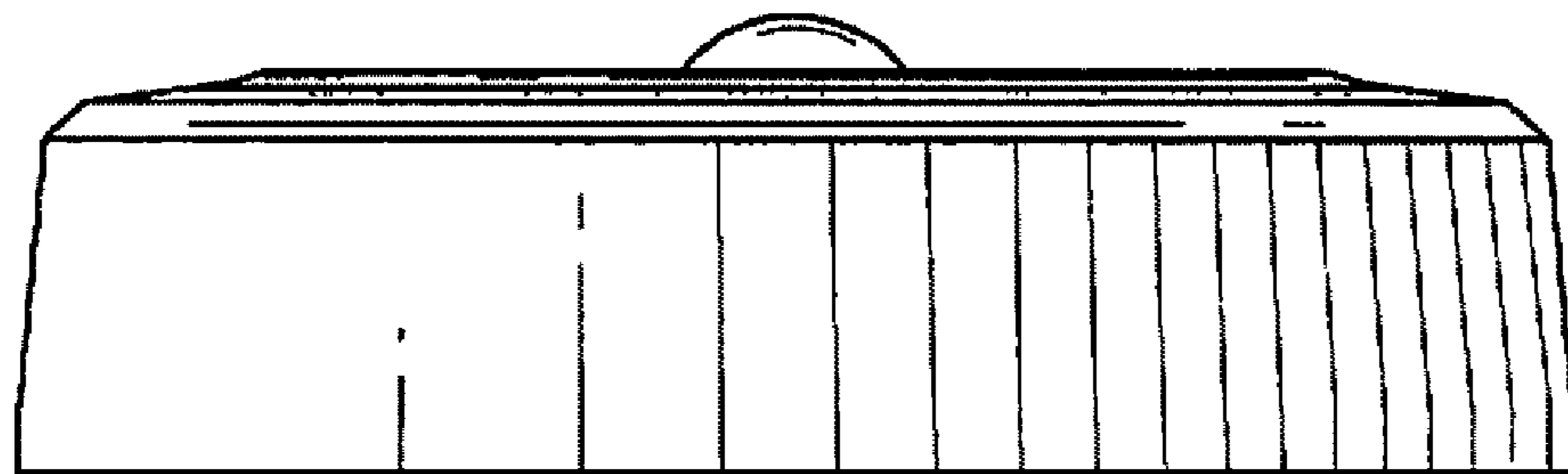


FIG. 25

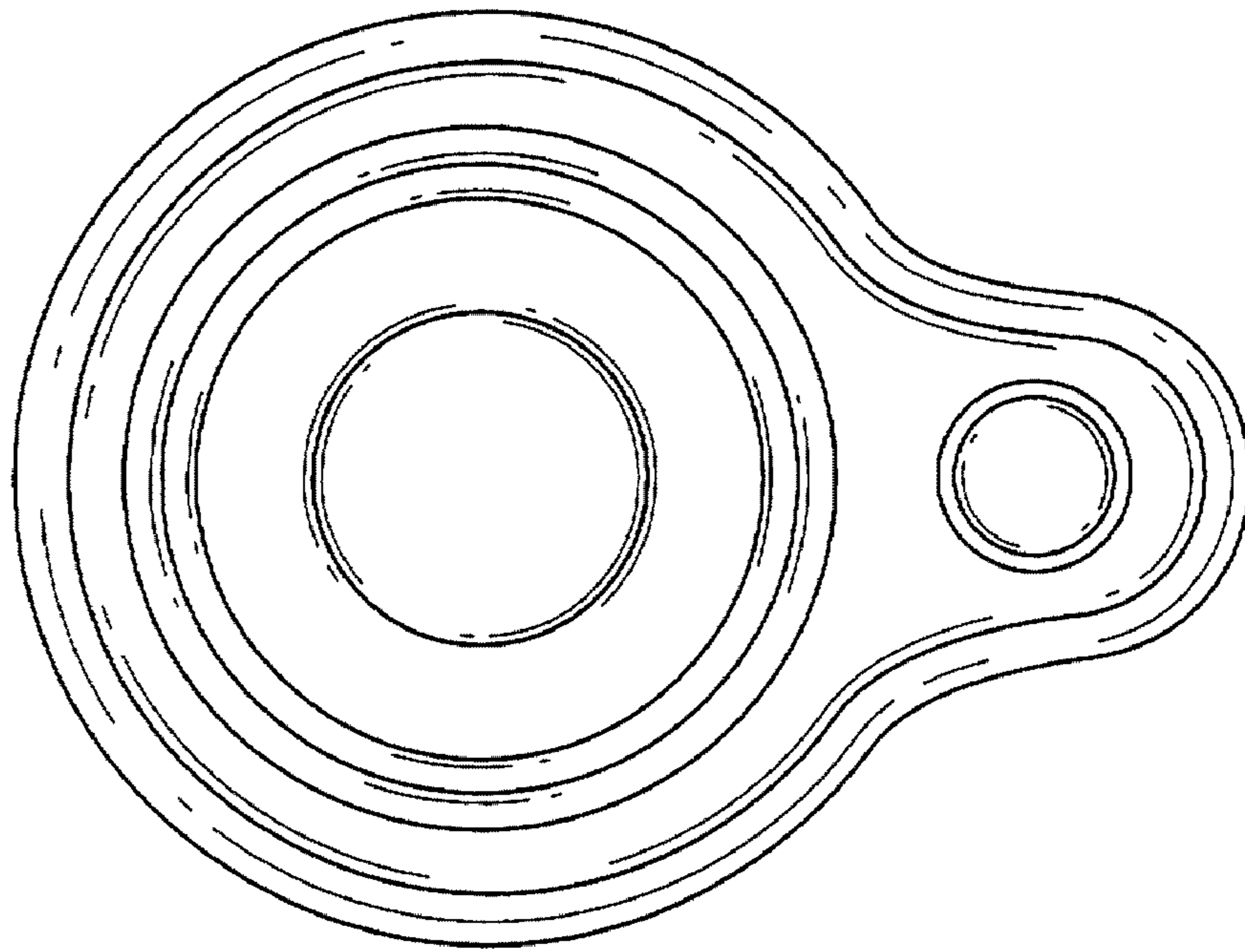


FIG. 26

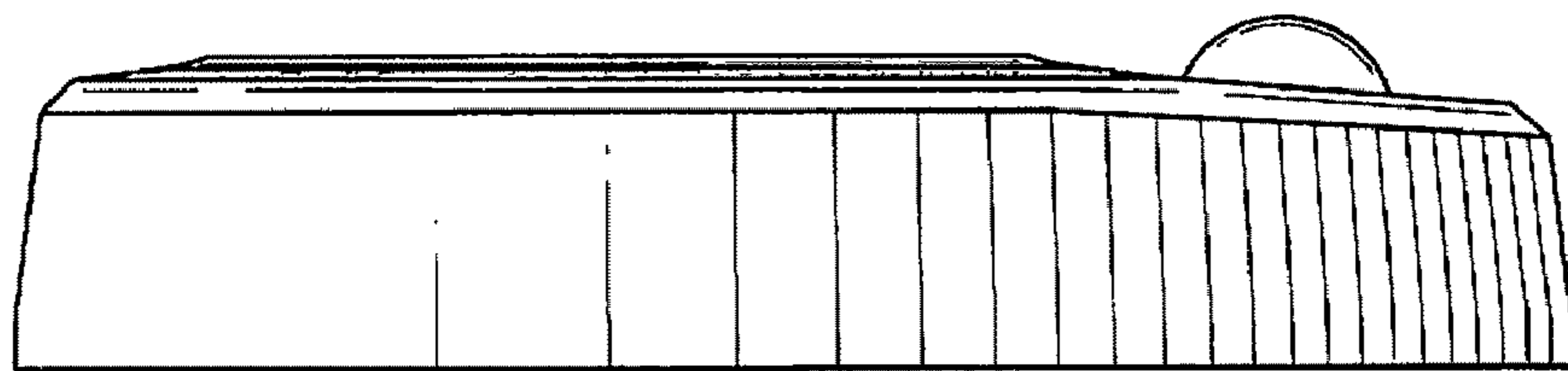


FIG. 27

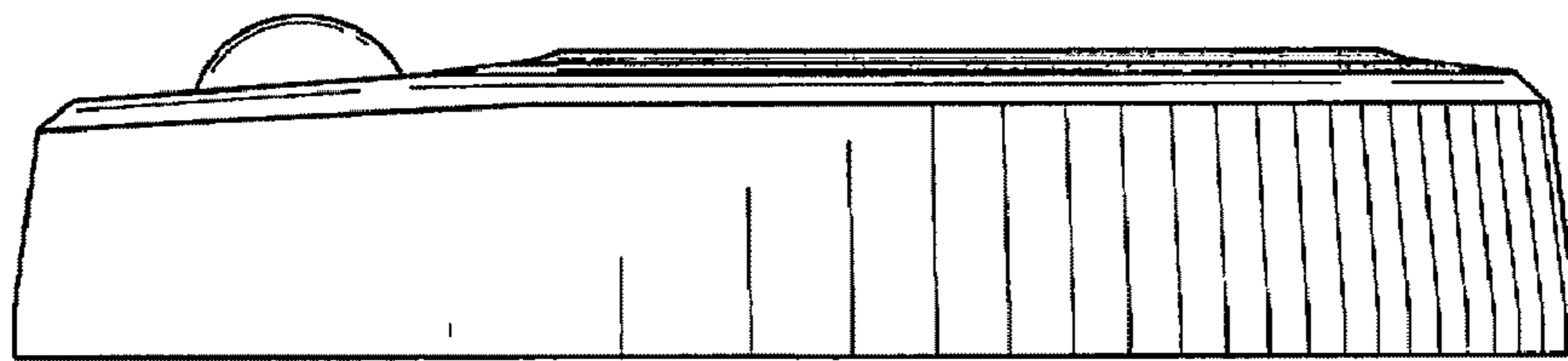


FIG. 28