



US00D634045S

(12) **United States Design Patent**  
**Yoshida et al.**

(10) **Patent No.:** **US D634,045 S**

(45) **Date of Patent:** **\*\* Mar. 8, 2011**

(54) **RECESSED LIGHTING FIXTURE**

(75) Inventors: **Kazufumi Yoshida**, Kanagawa (JP);  
**Junichiro Yamamoto**, Kanagawa (JP);  
**Shizuka Sakamoto**, Kanagawa (JP)

(73) Assignees: **Toshiba Lighting & Technology Corporation**, Kanagawa (JP);  
**Kabushiki Kaisha Toshiba**, Tokyo (JP)

(\*\*) Term: **14 Years**

(21) Appl. No.: **29/356,386**

(22) Filed: **Feb. 25, 2010**

(30) **Foreign Application Priority Data**

Aug. 25, 2009 (JP) ..... 2009-019379

(51) **LOC (9) Cl.** ..... **26-05**

(52) **U.S. Cl.** ..... **D26/74**

(58) **Field of Classification Search** ..... D26/74,  
D26/72, 24, 36, 59, 118, 133, 134; 362/145,  
362/147, 148, 150, 151, 153, 218, 217.06,  
362/217.07, 294, 296.01, 296.06, 296.07,  
362/296.08, 311.07, 311.09, 364, 365, 373;  
D13/179

See application file for complete search history.

(56) **References Cited**

**U.S. PATENT DOCUMENTS**

D386,277 S \* 11/1997 Lecluze ..... D26/74  
D399,590 S \* 10/1998 Lecluze ..... D26/118  
D473,966 S \* 4/2003 Lecluze ..... D26/74  
D488,251 S \* 4/2004 Benghozi ..... D26/118

D544,979 S \* 6/2007 Hartmann et al. .... D26/74  
D545,988 S \* 7/2007 Goetz-Schaefer ..... D26/74  
D569,024 S \* 5/2008 Redfern ..... D26/74  
D574,541 S \* 8/2008 Matsumoto et al. .... D26/74  
7,476,010 B2 \* 1/2009 Johnson ..... 362/373  
D610,292 S \* 2/2010 Yoshinobu et al. .... D26/74

\* cited by examiner

*Primary Examiner*—Jennifer Rivard

*Assistant Examiner*—Angela J Lee

(74) *Attorney, Agent, or Firm*—Jianq Chyun IP Office

(57) **CLAIM**

The ornamental design for a recessed lighting fixture, as shown and described.

**DESCRIPTION**

FIG. 1 is a perspective view of a recessed lighting fixture showing our new design;

FIG. 2 is a front view thereof;

FIG. 3 is a right side view thereof;

FIG. 4 is a rear view thereof;

FIG. 5 is a top view thereof;

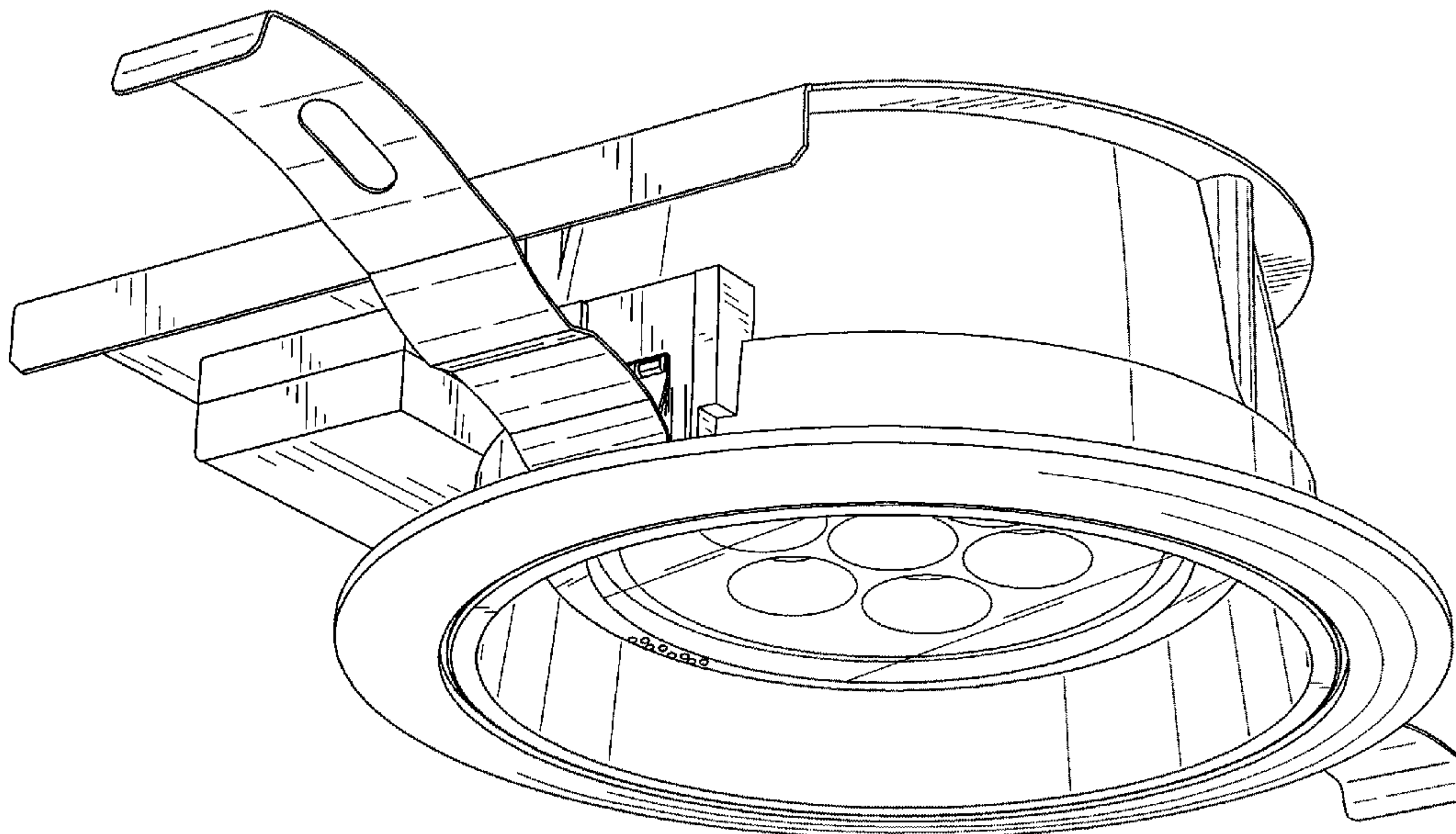
FIG. 6 is a bottom view thereof; and,

FIG. 7 is a cross-sectional view taken along line 7—7.

A left side view of the recessed lighting fixture is omitted since the left side view is symmetrical with the right side view. The portion shown in FIG. 7 with double hatching lines is transparent.

The internal structure shown in broken lines in the cross-sectional view, FIG. 7, forms no part of the claimed design.

**1 Claim, 7 Drawing Sheets**



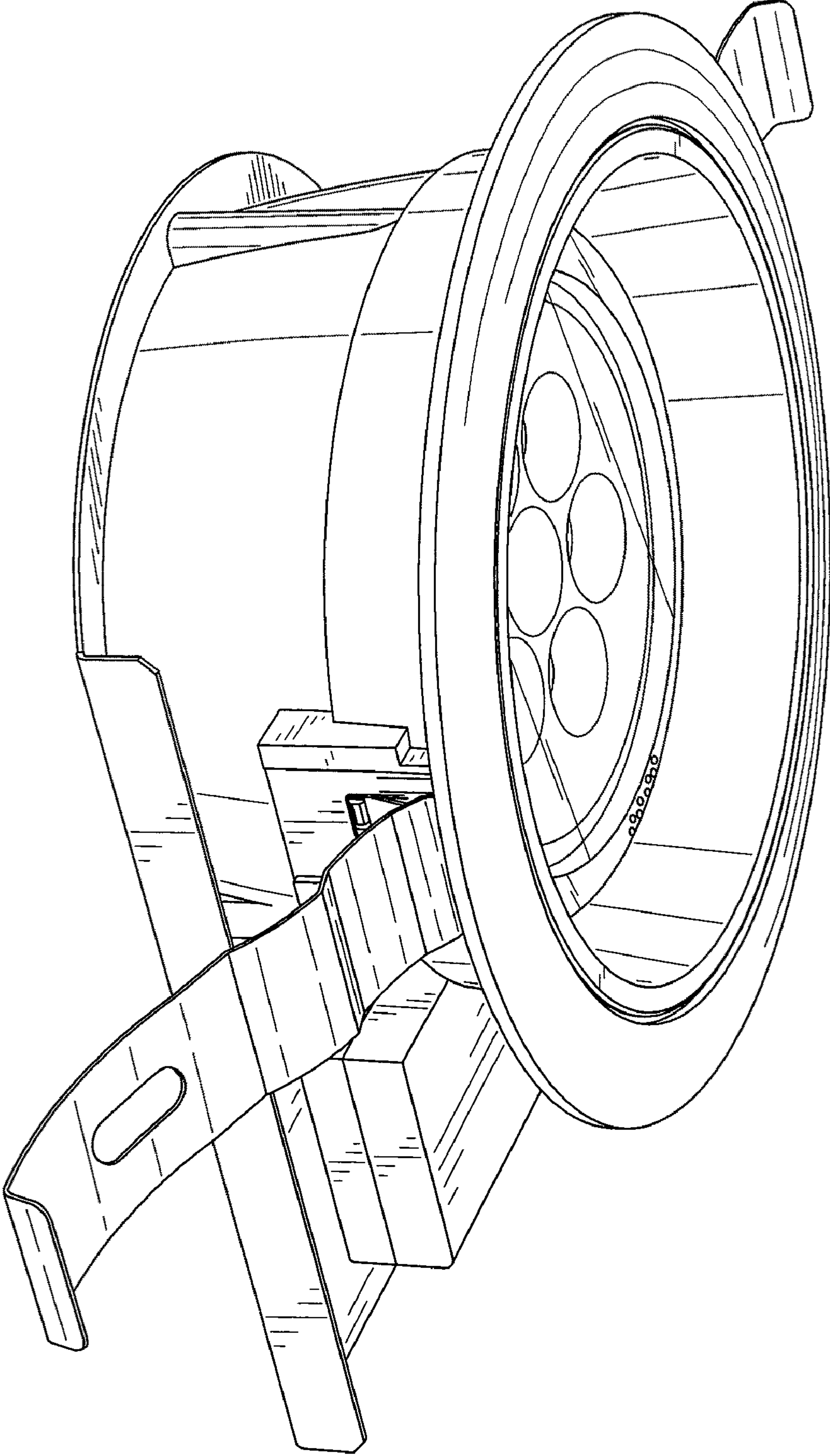


FIG. 1

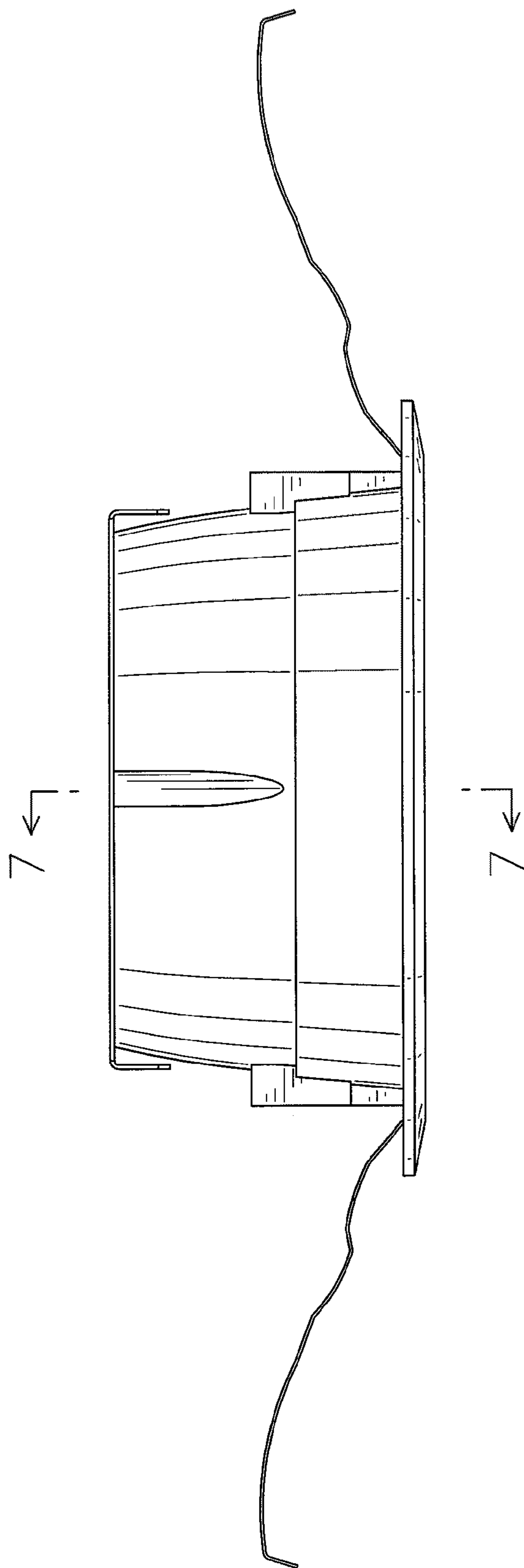


FIG. 2

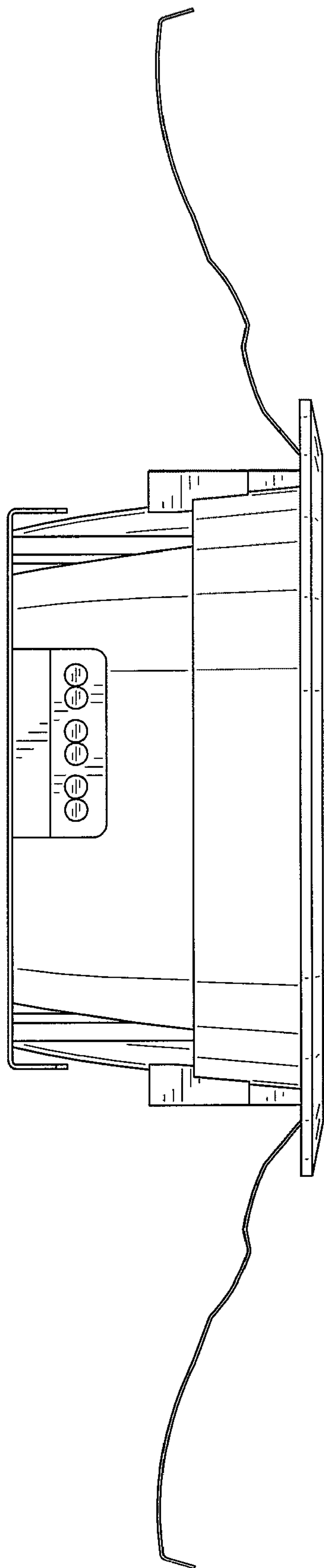


FIG. 3

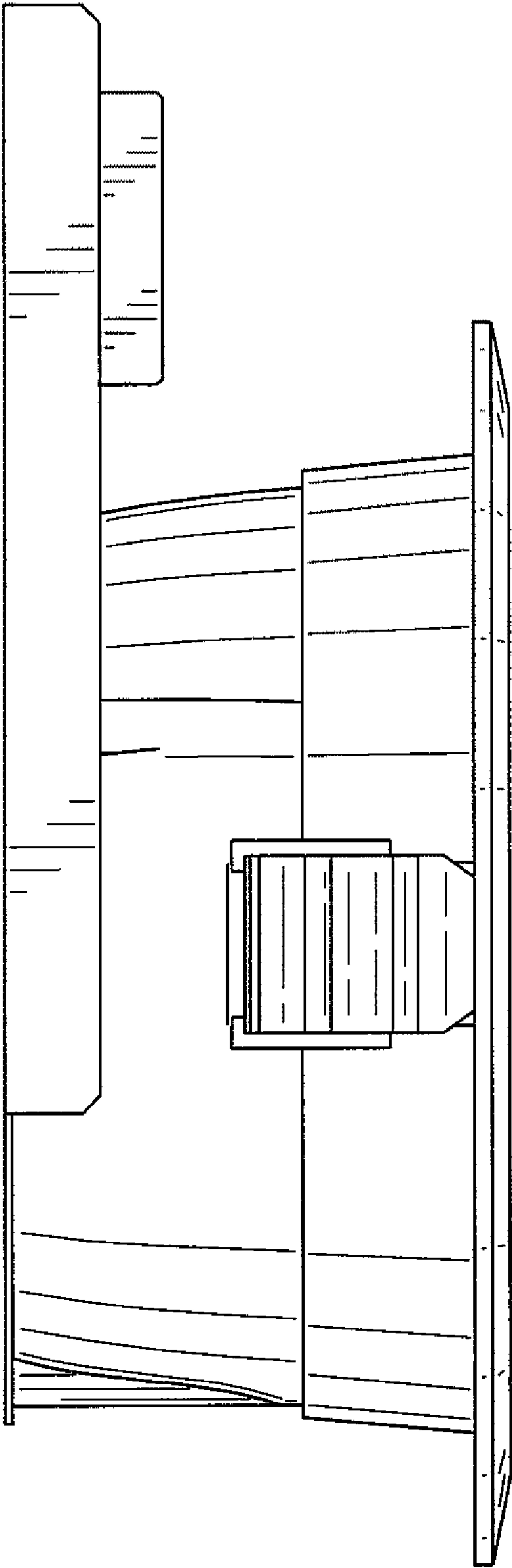


FIG. 4



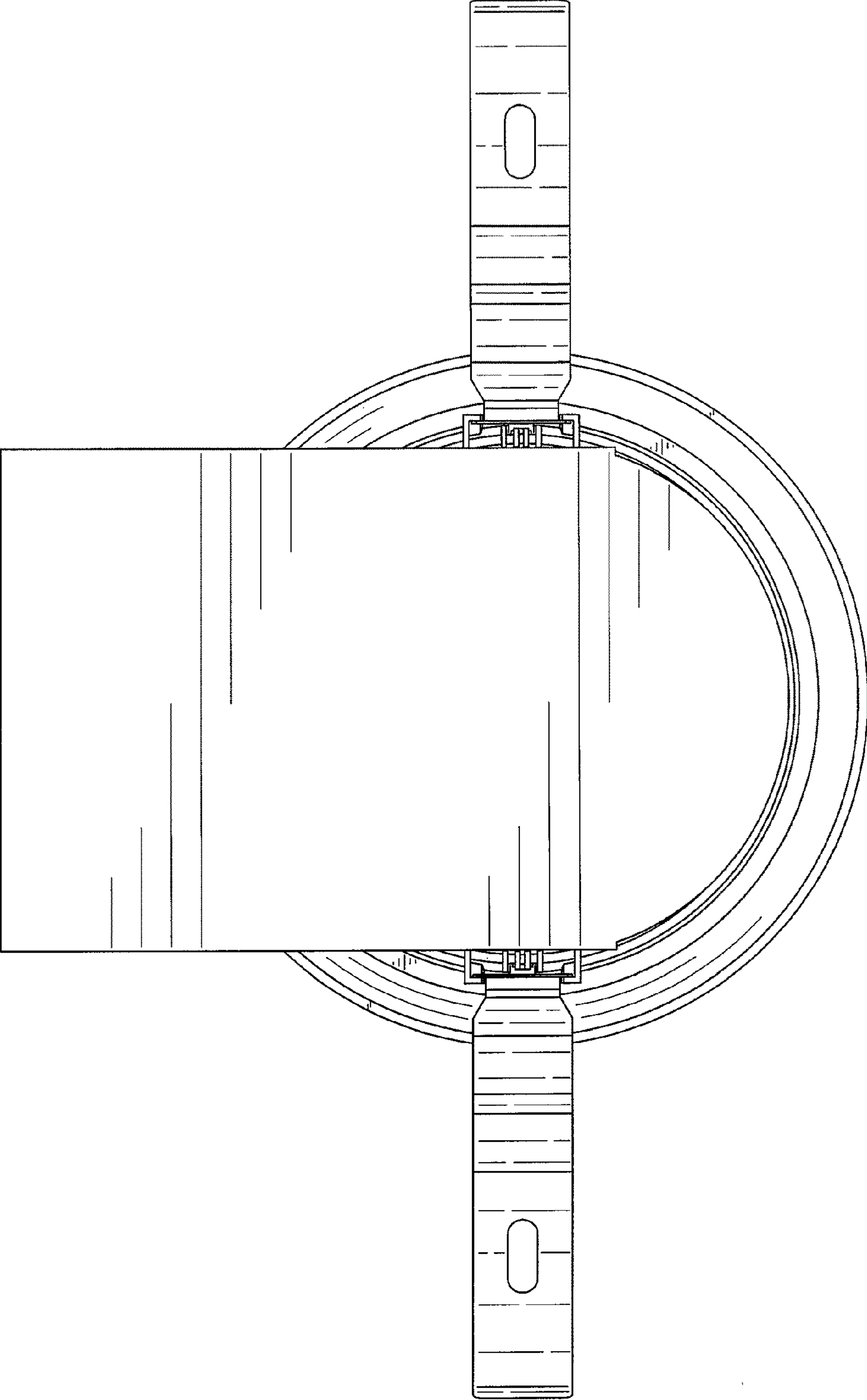


FIG. 5

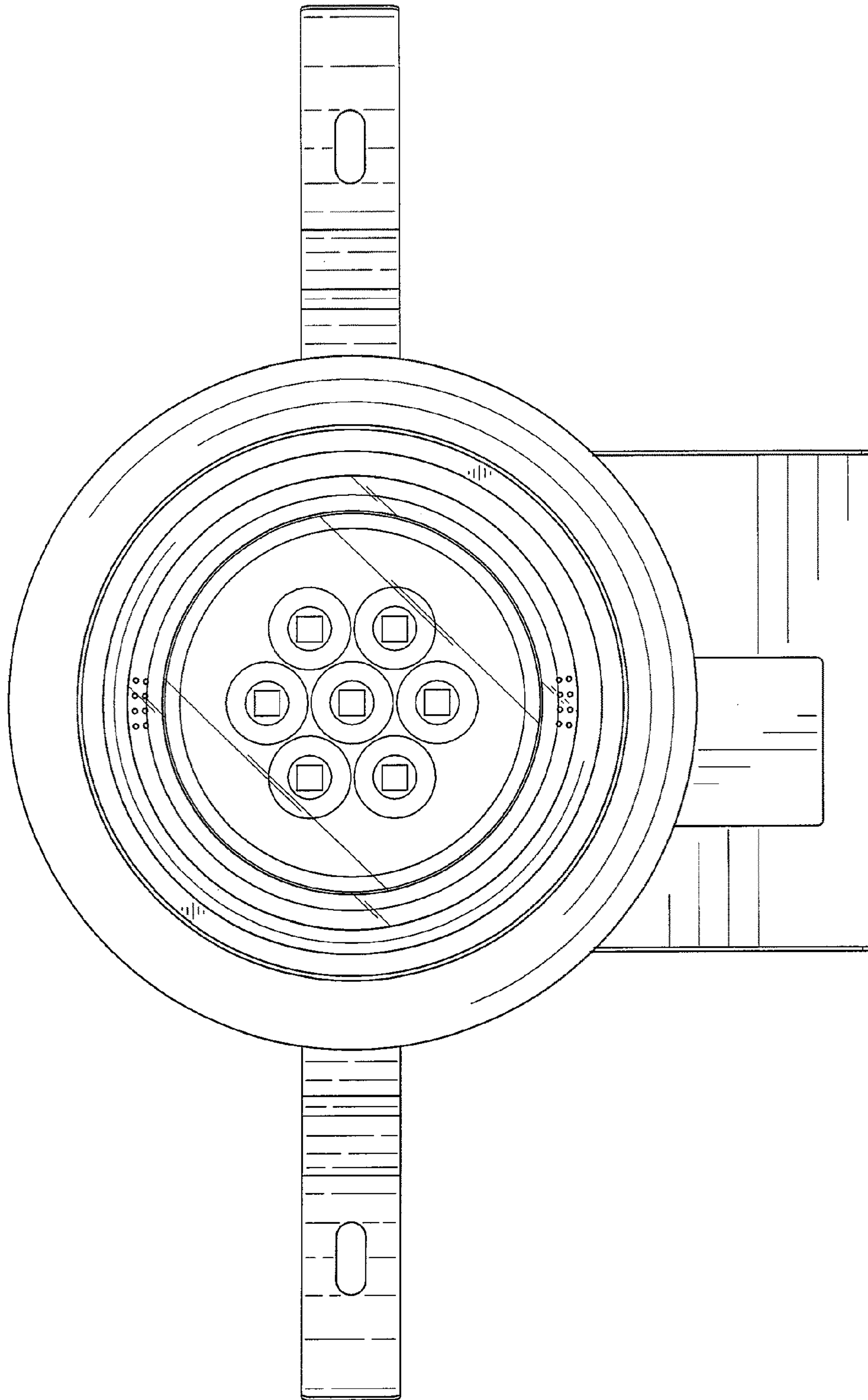


FIG. 6

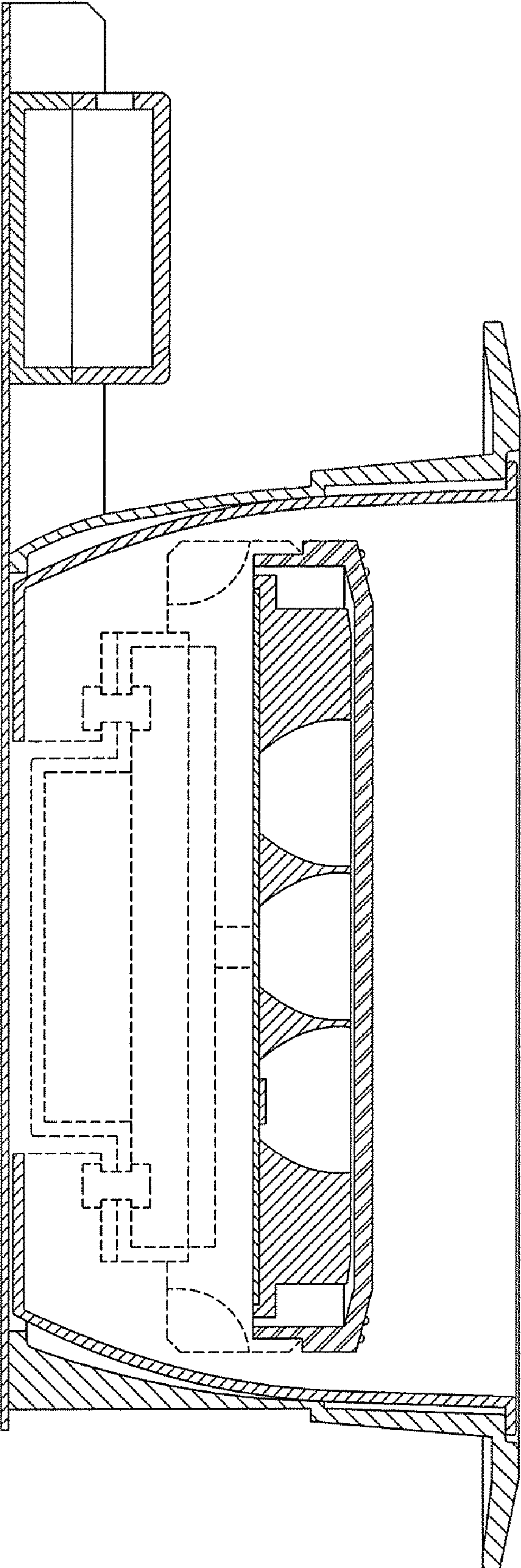


FIG. 7