



US00D634042S

(12) **United States Design Patent**
Sperling et al.

(10) **Patent No.:** **US D634,042 S**
(45) **Date of Patent:** **** Mar. 8, 2011**

(54) **REAR COMBINATION LAMP FOR AN
AUTOMOBILE**

(75) Inventors: **Matthew Sperling**, Newport Beach, CA
(US); **Aaron Park**, Newport Beach, CA
(US); **Peter Kim**, Newport Beach, CA
(US)

(73) Assignee: **Toyota Jidosha Kabushiki Kaisha**,
Toyota-shi (JP)

(**) Term: **14 Years**

(21) Appl. No.: **29/362,115**

(22) Filed: **May 20, 2010**

(51) **LOC (9) Cl.** **26-06**

(52) **U.S. Cl.** **D26/28**

(58) **Field of Classification Search** D26/28-36;
362/459-468, 475-478, 485-487

See application file for complete search history.

(56) **References Cited**

U.S. PATENT DOCUMENTS

D526,427 S *	8/2006	Morioka	D26/28
D528,232 S *	9/2006	Nakahara	D26/28
D528,680 S *	9/2006	Oda	D26/28
D528,684 S *	9/2006	Kato et al.	D26/28
D542,445 S *	5/2007	Matsunami	D26/28
D548,377 S *	8/2007	Markefka	D26/28

D550,380 S *	9/2007	Lin	D26/28
D560,292 S *	1/2008	Sato	D26/28
D562,477 S *	2/2008	Hsu	D26/28
D570,015 S *	5/2008	Hsu	D26/28

OTHER PUBLICATIONS

Website: URL: http://www.netcarshow.com/honda/2009-civic_sedan/800x600/wallpaper_06.htm, Honda Civic Sedan (date 2009).

Website: URL: http://www.netcarshow.com/toyota/2009-rav4/800x600/wallpaper_05.htm, Toyota RAV4 (date 2009).

Website: URL: http://www.netcarshow.com/toyota/2008-highlander/800x600/wallpaper_1c.htm, Toyota Highlander (date 2008).

* cited by examiner

Primary Examiner — Marcus A Jackson

(74) *Attorney, Agent, or Firm* — Finnegan, Henderson, Farabow, Garrett & Dunner, LLP

(57) **CLAIM**

The ornamental design for a rear combination lamp for an automobile, as shown and described.

DESCRIPTION

FIG. 1 is a front perspective view of a rear combination lamp for an automobile of our new design;

FIG. 2 is a front view thereof;

FIG. 3 is a top plan view thereof;

FIG. 4 is a bottom view thereof; and,

FIG. 5 is a left side view thereof.

1 Claim, 3 Drawing Sheets

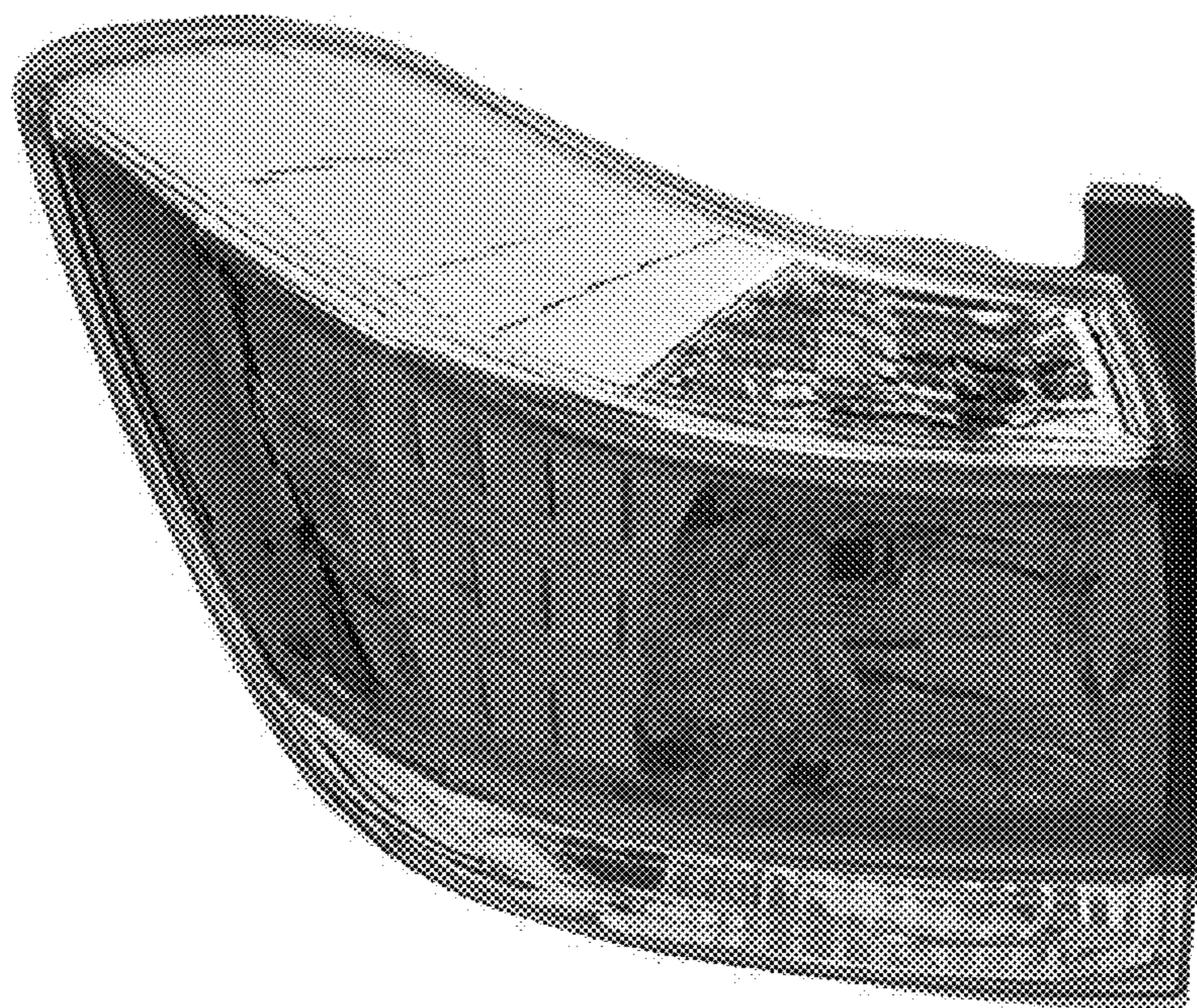




FIG. 1

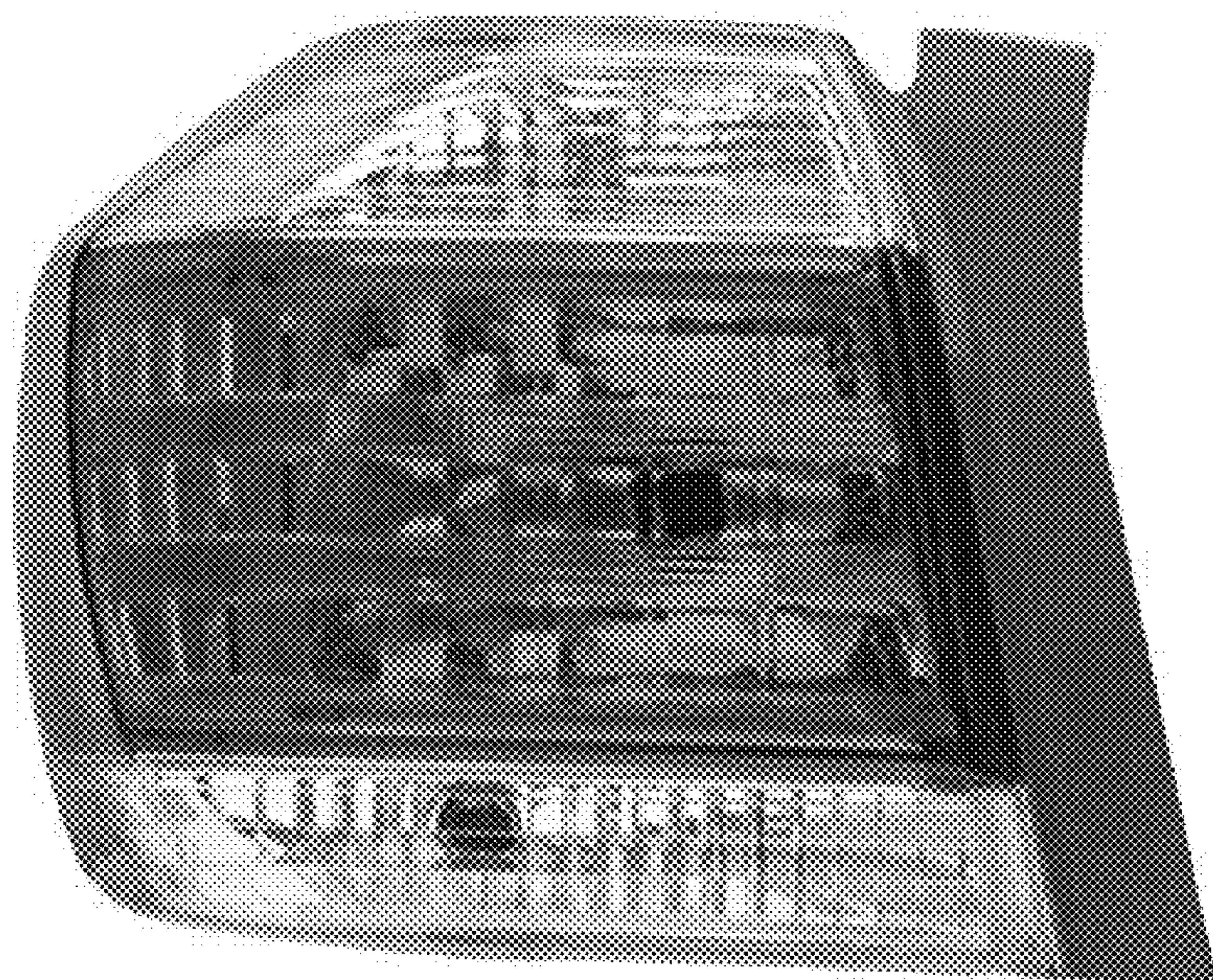


FIG. 2

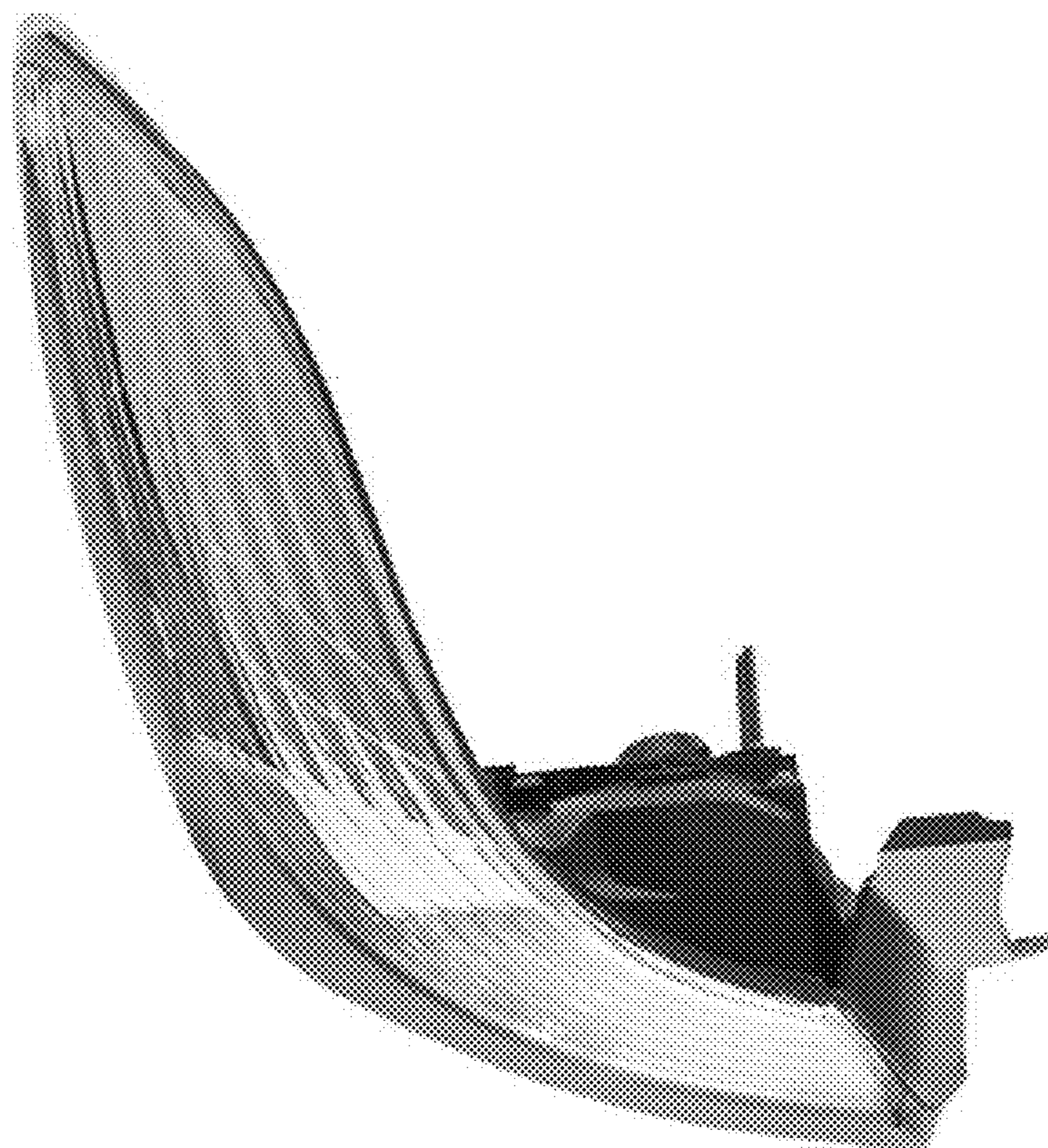


FIG. 3

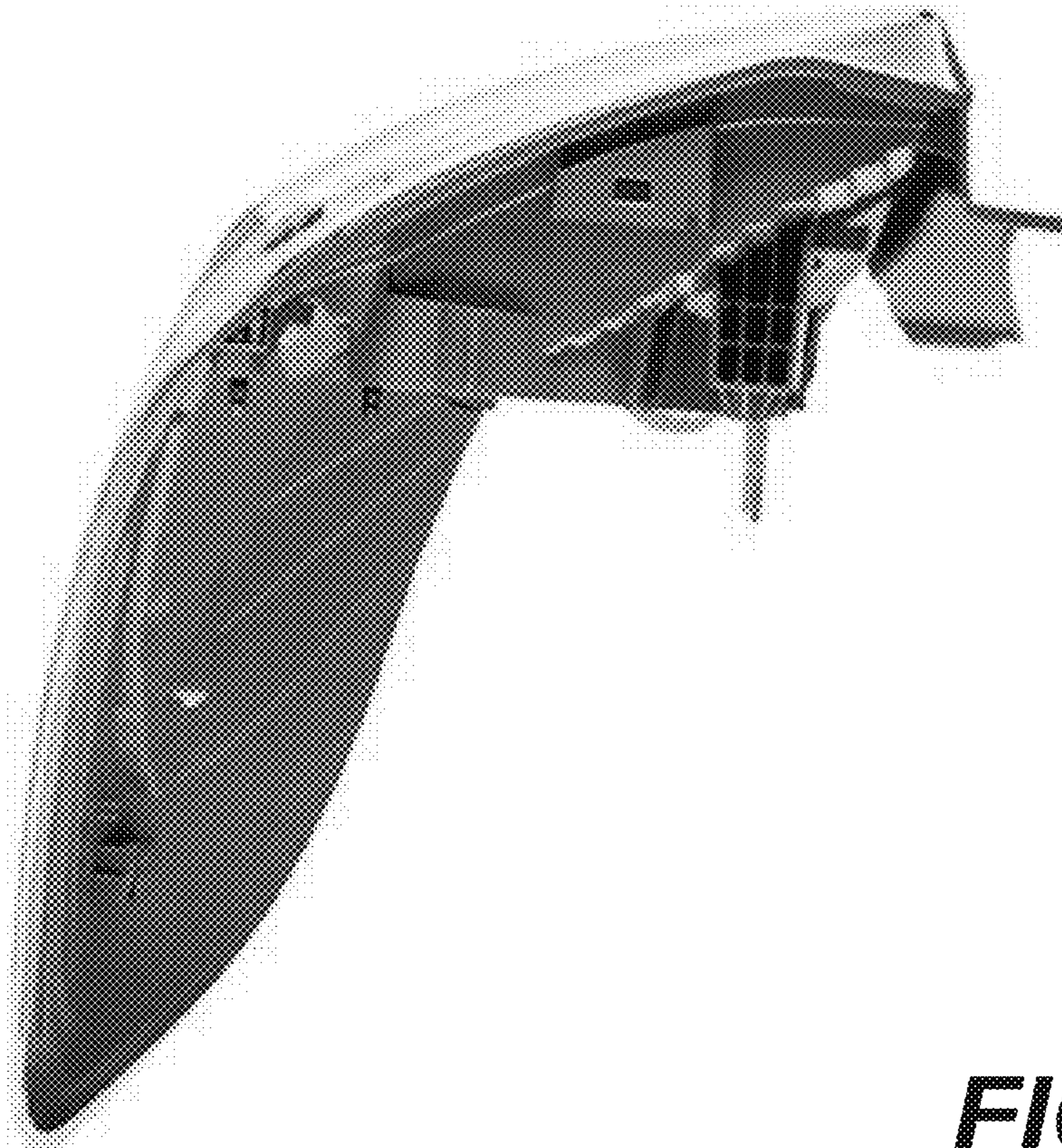


FIG. 4



FIG. 5