

US00D634041S

(12) **United States Design Patent**
Koshino et al.

(10) **Patent No.:** **US D634,041 S**
(45) **Date of Patent:** **** Mar. 8, 2011**

(54) **REAR COMBINATION LAMP FOR AN
AUTOMOBILE**

D565,211 S * 3/2008 Haller et al. D26/28

(75) Inventors: **Tatsurou Koshino**, Yokosuka (JP);
Rikiya Yoshinaga, Yokosuka (JP)

(73) Assignee: **Toyota Jidosha Kabushiki Kaisha** (JP)

(**) Term: **14 Years**

(21) Appl. No.: **29/359,227**

(22) Filed: **Apr. 7, 2010**

(51) **LOC (9) Cl.** **26-06**

(52) **U.S. Cl.** **D26/28**

(58) **Field of Classification Search** D26/28-36;
362/459-468, 475-478, 485-487
See application file for complete search history.

(56) **References Cited**

U.S. PATENT DOCUMENTS

| | | | |
|--------------|---------|--------------------|--------|
| D455,508 S * | 4/2002 | Sinkwitz | D26/28 |
| D465,039 S * | 10/2002 | Murkett | D26/28 |
| D490,170 S * | 5/2004 | Metros et al. | D26/28 |
| D491,298 S * | 6/2004 | Hall et al. | D26/28 |
| D539,450 S * | 3/2007 | Pfeiffer | D26/28 |
| D540,480 S * | 4/2007 | Pfeiffer | D26/28 |
| D550,380 S * | 9/2007 | Lin | D26/28 |
| D553,268 S * | 10/2007 | Pfeiffer | D26/28 |

OTHER PUBLICATIONS

Mazda MX-5, Mazda, Netcarshow.com, http://www.netcarshow.com/mazda/2009-mx_5/1280x960/wallpaper_40.htm, available as early as Mar. 31, 2010.

VW passat R36, Volkswagen, Netcarshow.com, http://www.netcarshow.com/volkswagen/2007-passat_r36/1600x1200/wallpaper_0d.htm, available as early as Mar. 31, 2010.

* cited by examiner

Primary Examiner—Marcus A Jackson

(74) *Attorney, Agent, or Firm*—SAIDMAN DesignLaw Group

(57) **CLAIM**

The ornamental design for a rear combination lamp for an automobile, as shown and described.

DESCRIPTION

FIG. 1 is a front perspective view of a rear combination lamp for an automobile showing our new design;

FIG. 2 is a front view thereof;

FIG. 3 is a right-side view thereof;

FIG. 4 is a top view thereof; and,

FIG. 5 is a bottom view thereof.

1 Claim, 2 Drawing Sheets

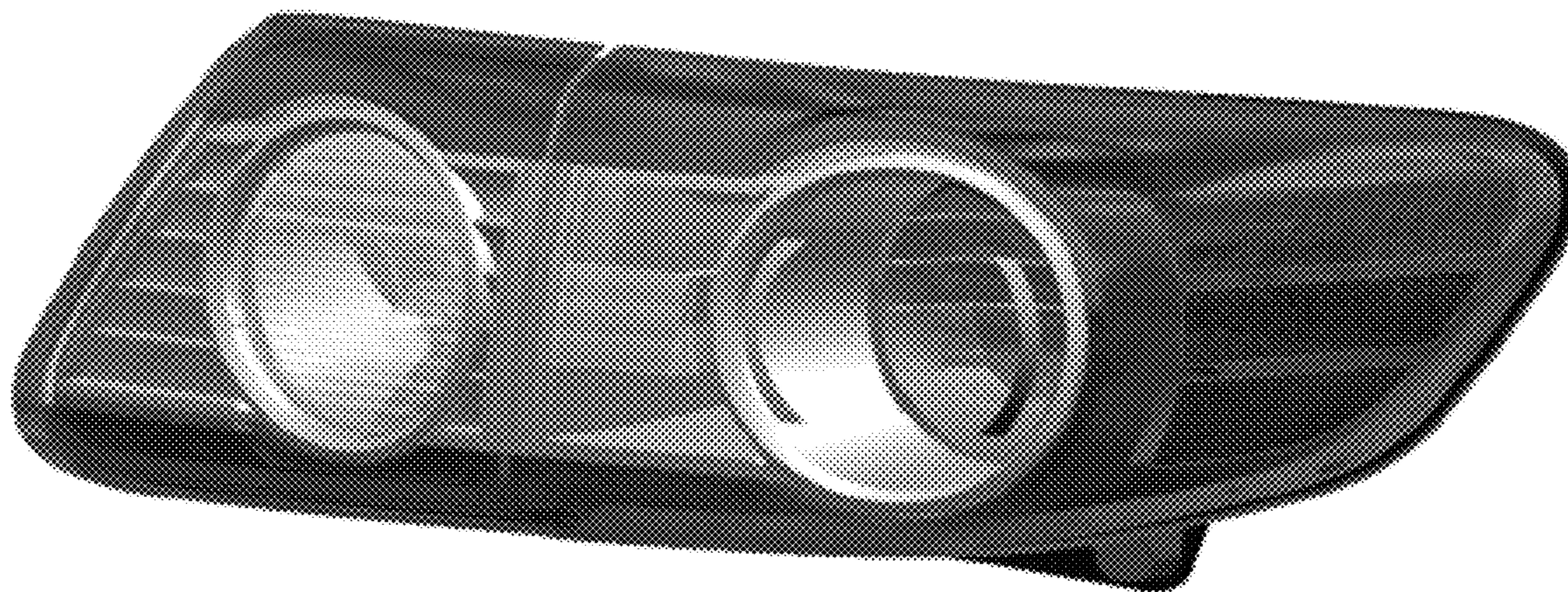


Fig. 1

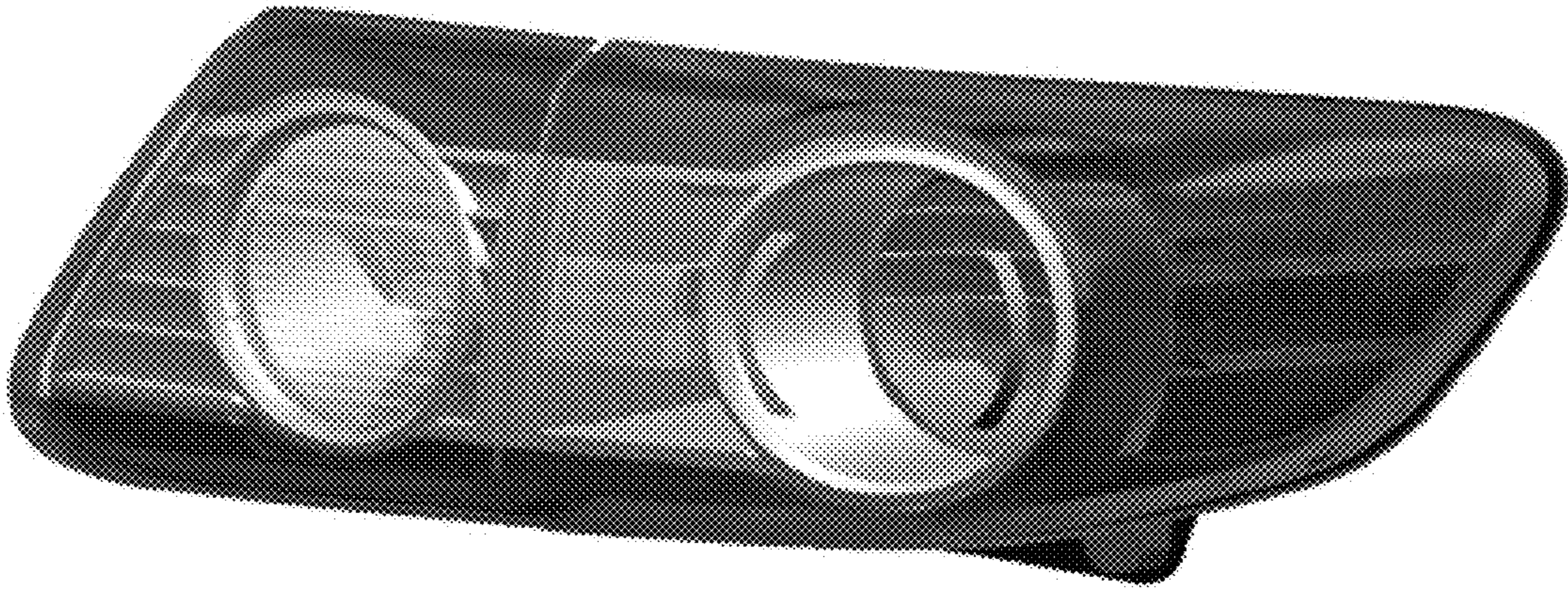


Fig. 2

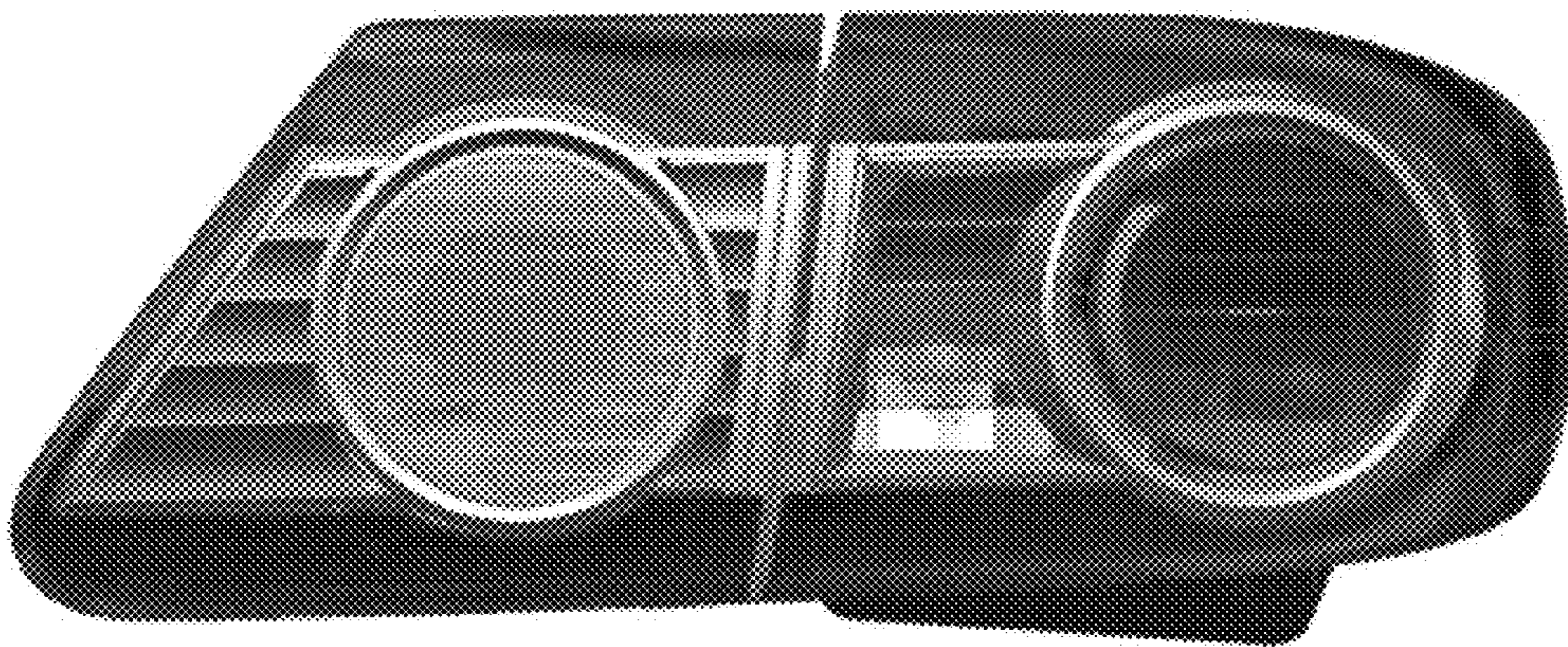


Fig. 3

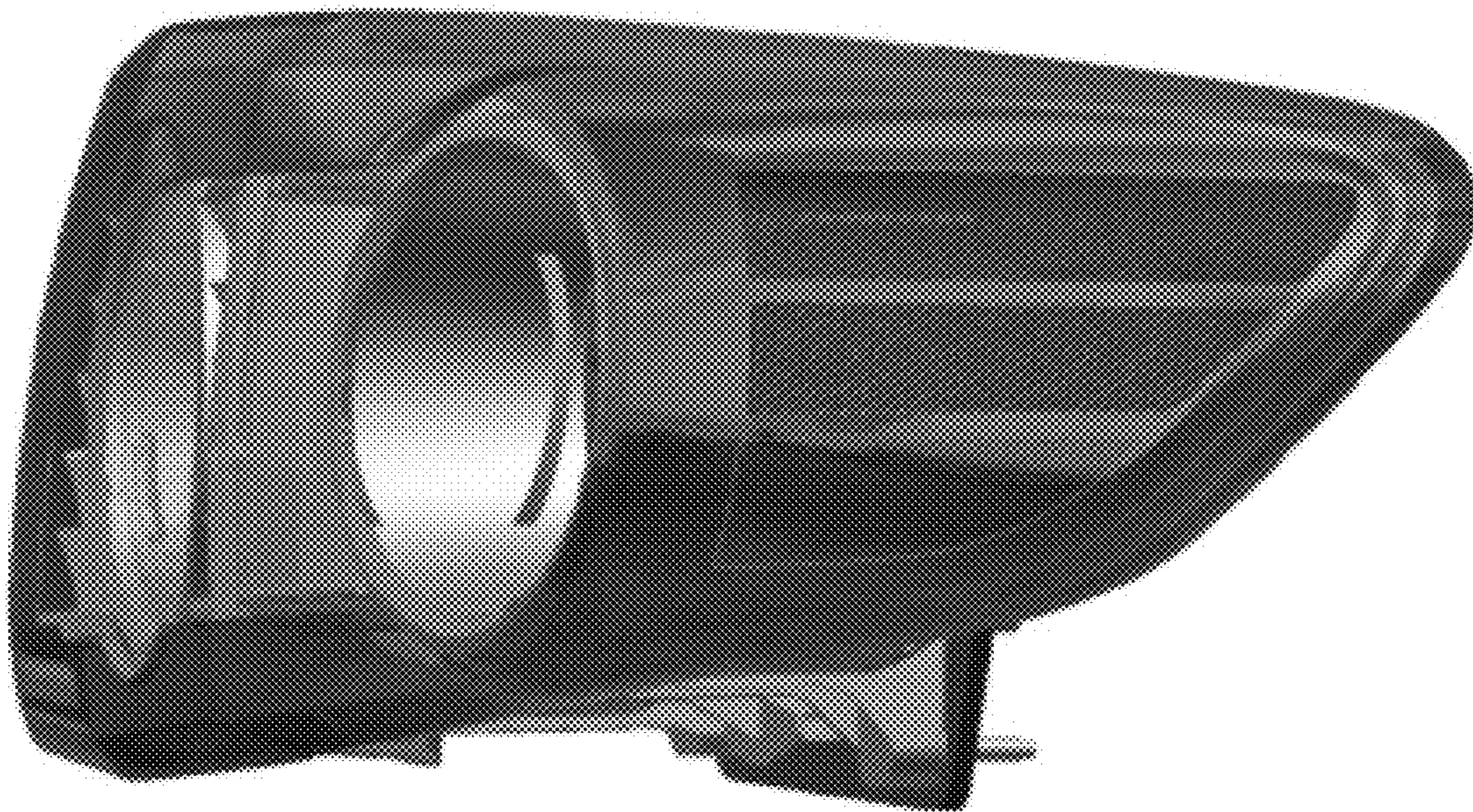


Fig. 4

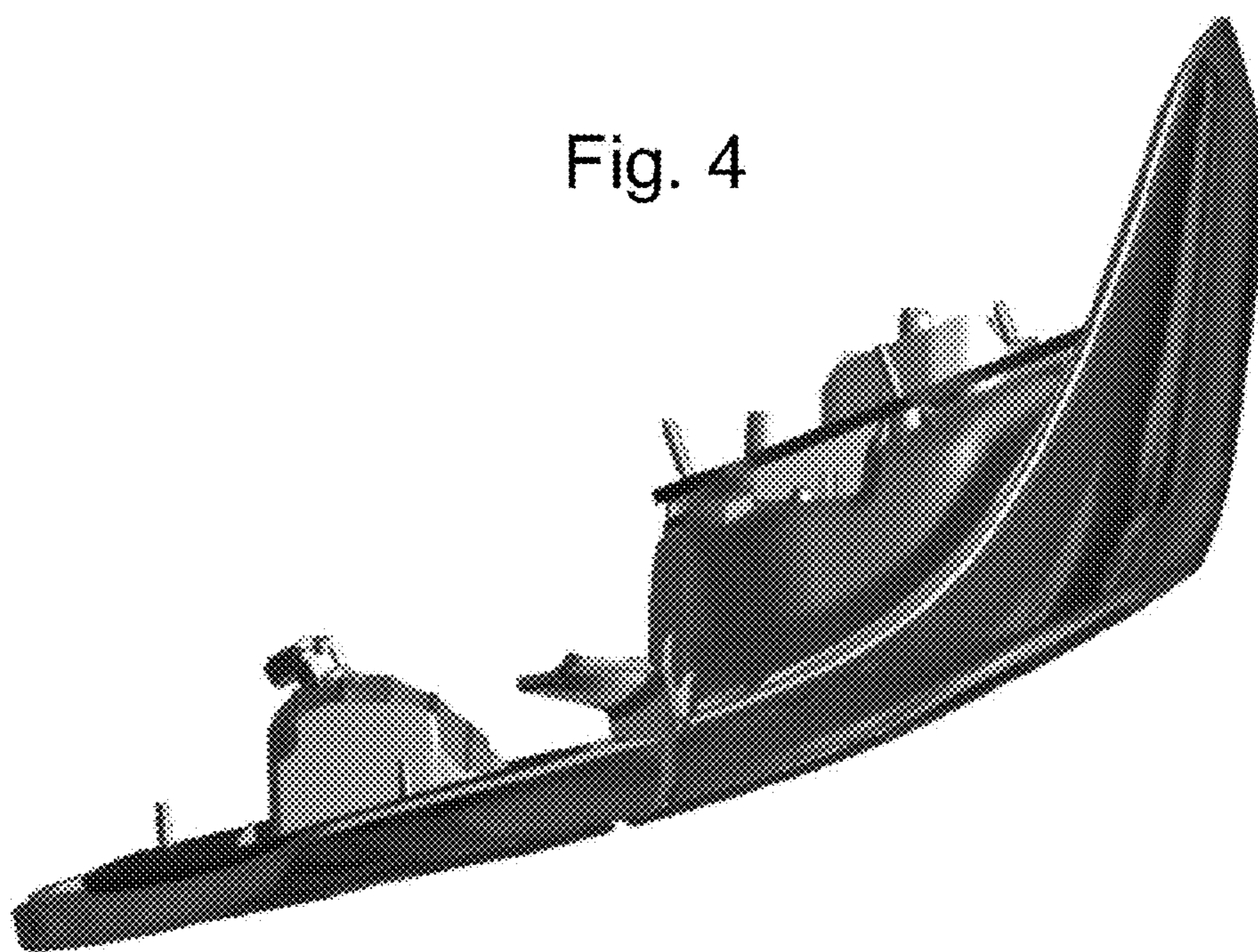


Fig. 5

