



US00D634039S

(12) **United States Design Patent**
Lee

(10) **Patent No.:** **US D634,039 S**
(45) **Date of Patent:** **** Mar. 8, 2011**

(54) **SOLAR POWERED LIGHT**

(76) Inventor: **Wen-Sung Lee**, Taichung (TW)

(**) Term: **14 Years**

(21) Appl. No.: **29/356,968**

(22) Filed: **Mar. 4, 2010**

(51) **LOC (9) Cl.** **26-02**

(52) **U.S. Cl.** **D26/24**

(58) **Field of Classification Search** D26/24,
D26/26, 37, 46, 72, 85, 87, 88, 89, 93, 104,
D26/113, 118, 1, 2, 3, 28, 38, 60; D10/111,
D10/114; D23/366, 367, 368; D13/107,
D13/108, 180, 182; 362/640, 641, 642, 643,
362/644, 652, 653, 655, 657, 249.02, 311.02,
362/800, 806, 555, 567, 116, 122, 123, 145,
362/147, 157, 183, 194, 195, 200
See application file for complete search history.

(56) **References Cited**

U.S. PATENT DOCUMENTS

D355,272 S *	2/1995	Chabria	D26/46
D425,228 S *	5/2000	Kibler	D26/46
D501,266 S *	1/2005	Harris et al.	D26/37
D535,411 S *	1/2007	Lee	D26/28
D535,767 S *	1/2007	Lee	D26/28
D561,920 S *	2/2008	Ueda et al.	D26/28
D569,023 S *	5/2008	Lee	D26/60
D571,941 S *	6/2008	Lee	D26/37

D595,875 S *	7/2009	Irvine	D26/24
D595,884 S *	7/2009	Liao et al.	D26/60
D605,790 S *	12/2009	Hsing-Tsun	D26/28
D615,676 S *	5/2010	Lee	D26/37
2005/0231941 A1 *	10/2005	Huang	362/208

* cited by examiner

Primary Examiner—Jennifer Rivard
Assistant Examiner—Angela J Lee

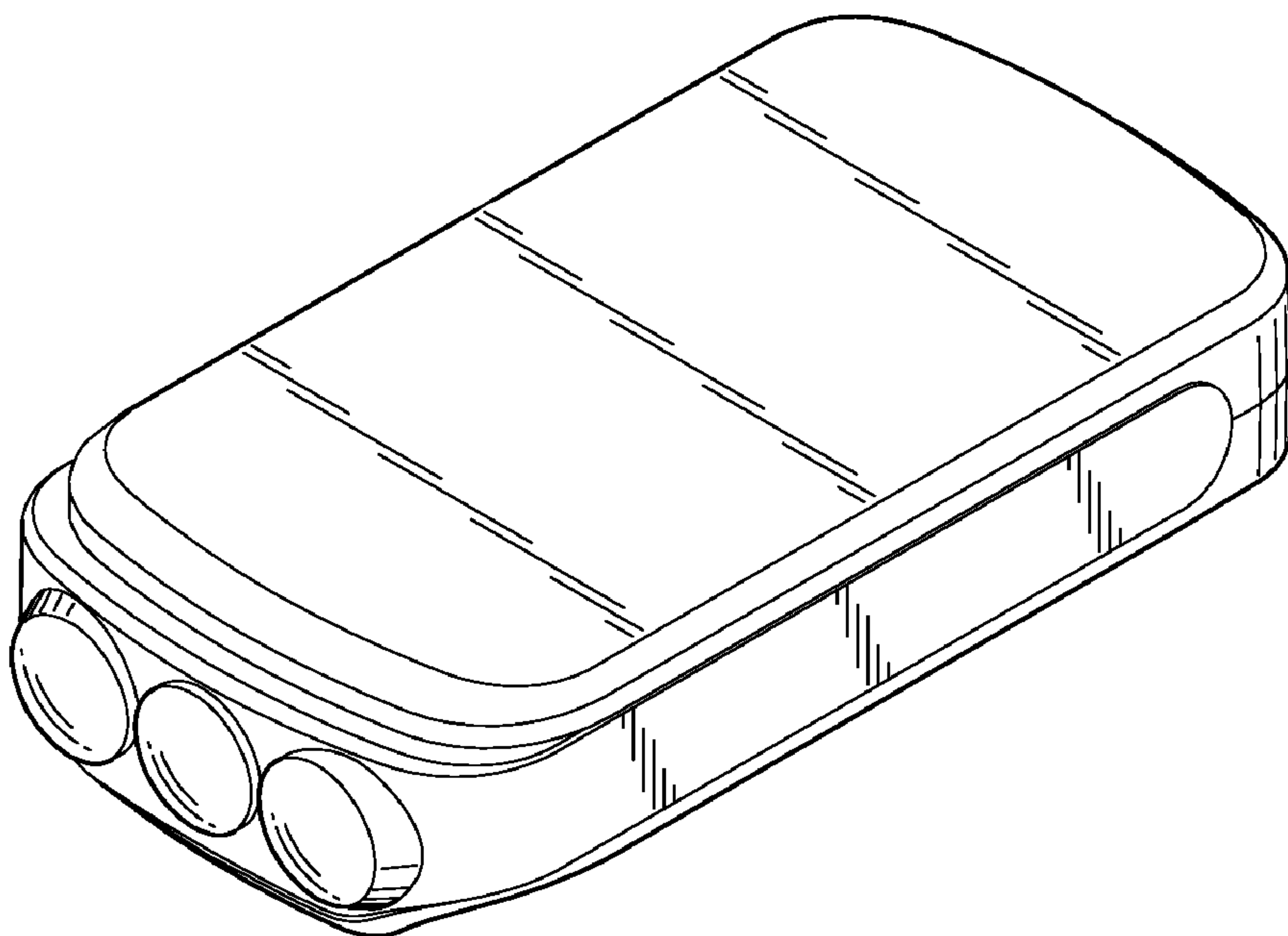
(57) **CLAIM**

The ornamental design for a solar powered light, as shown and described.

DESCRIPTION

FIG. 1 is a perspective view of a solar powered light showing my new design;
FIG. 2 is a front elevational view thereof;
FIG. 3 is a rear elevational view thereof;
FIG. 4 is a left side view thereof;
FIG. 5 is a right side view thereof;
FIG. 6 is a top plan view thereof;
FIG. 7 is a bottom plan view thereof; and,
FIG. 8 is a view showing the solar powered light in a position of use, wherein the broken lines illustrate different environmental structures that form no part of the claimed design.

1 Claim, 6 Drawing Sheets



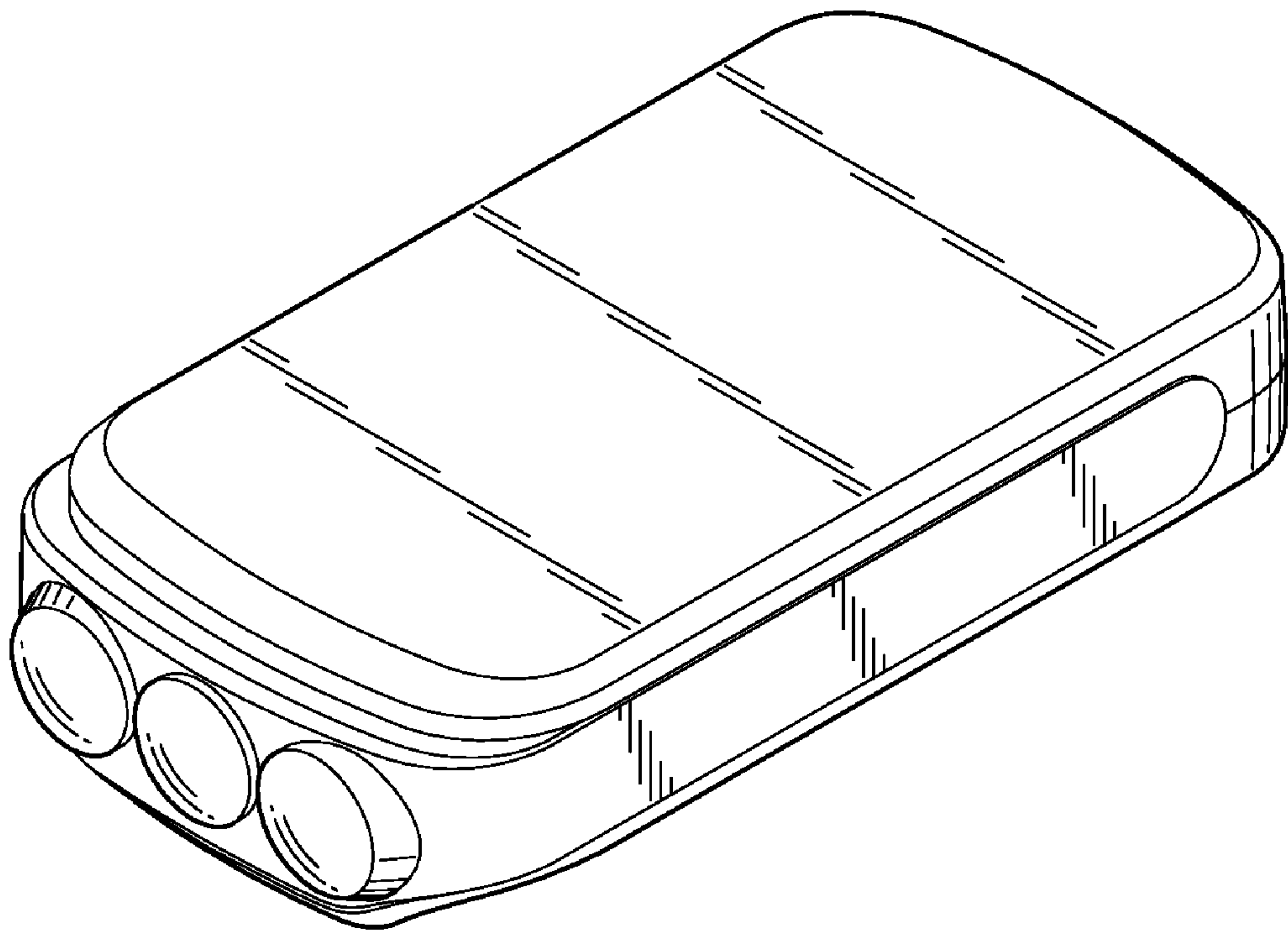


FIG. 1

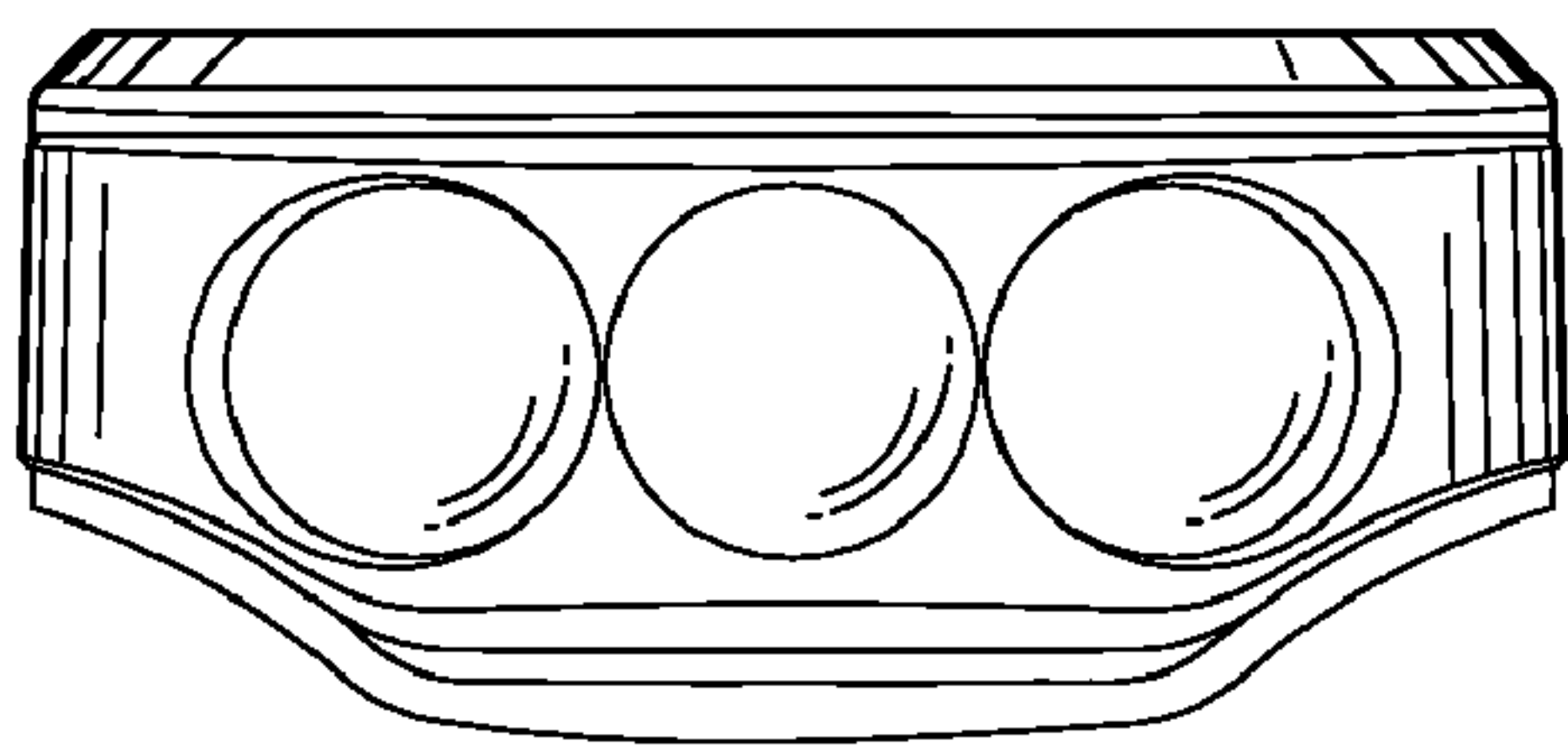


FIG. 2

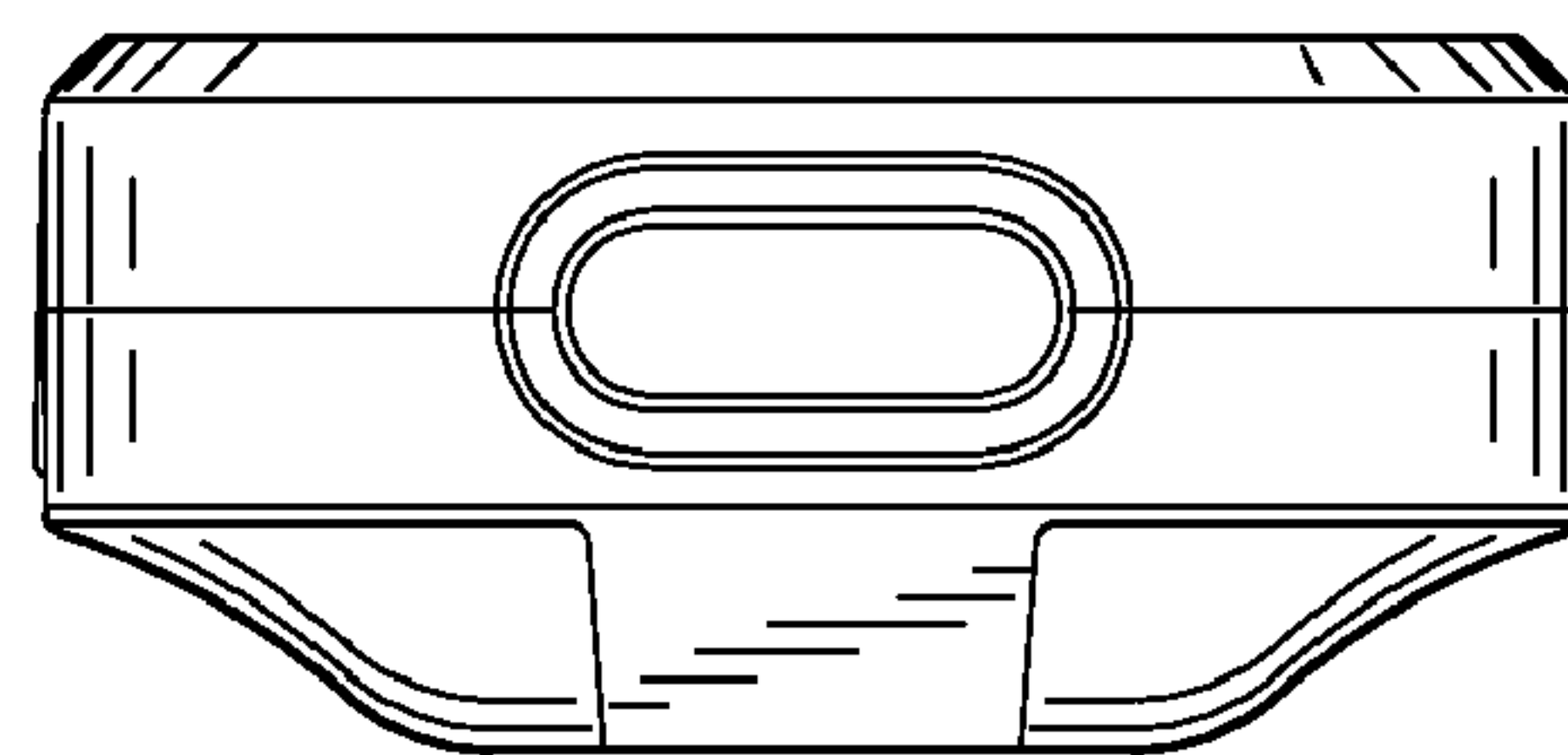


FIG. 3

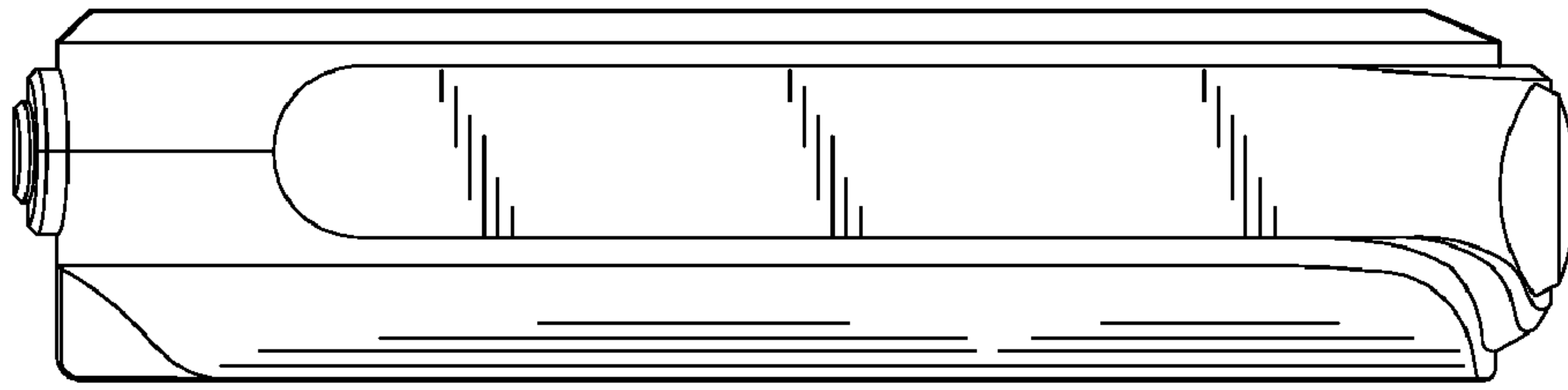


FIG. 4

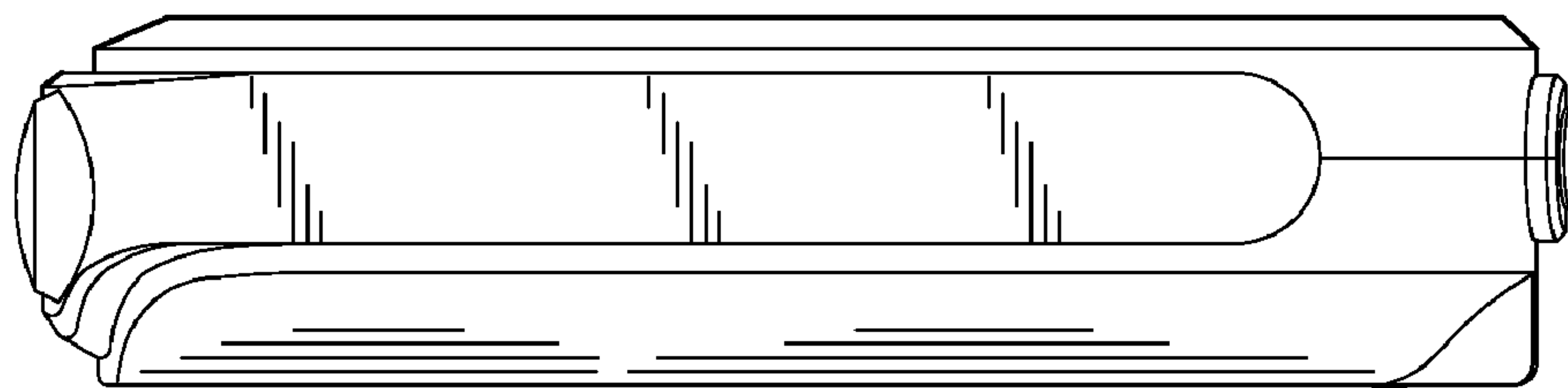


FIG. 5

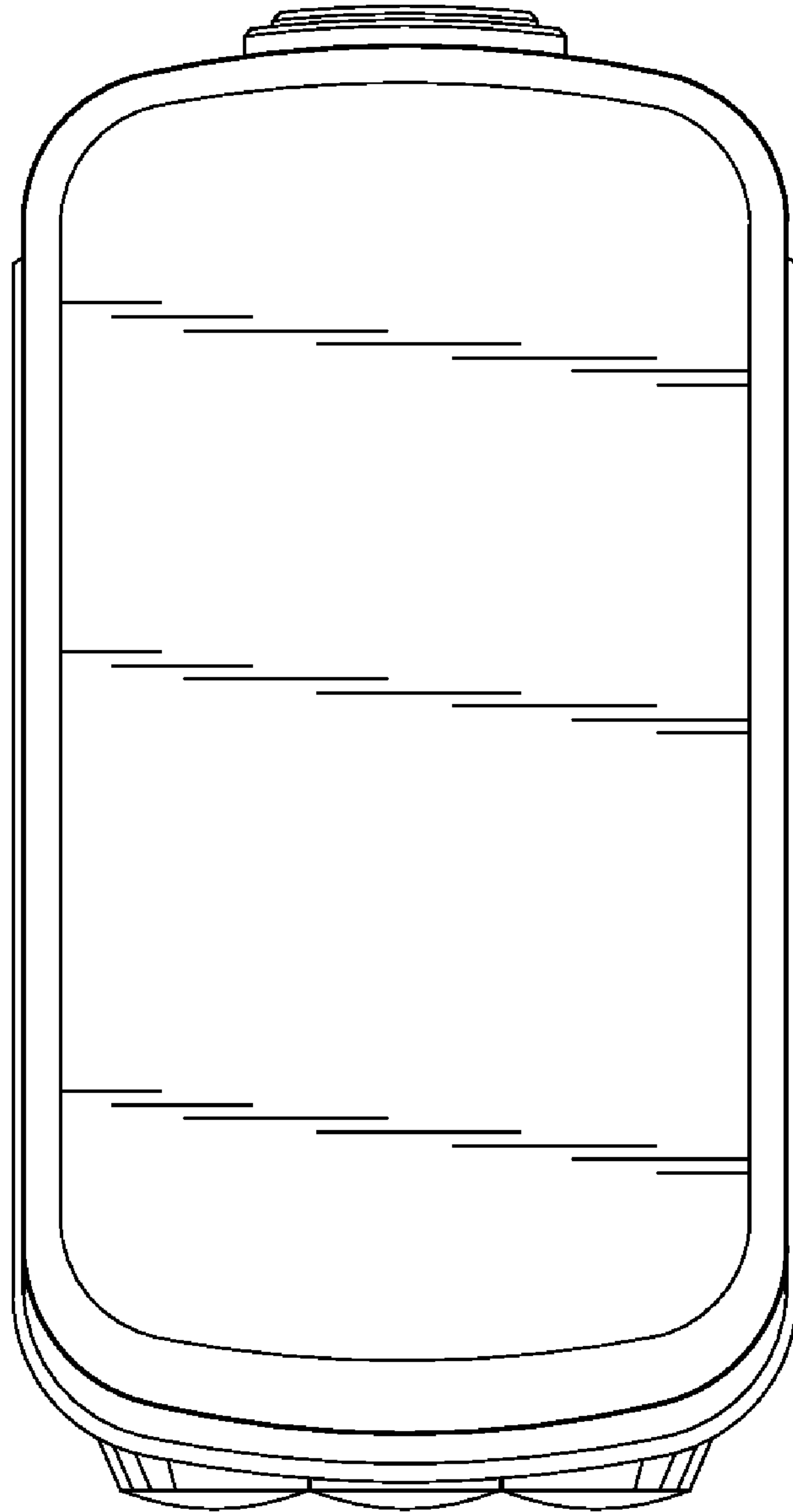


FIG. 6

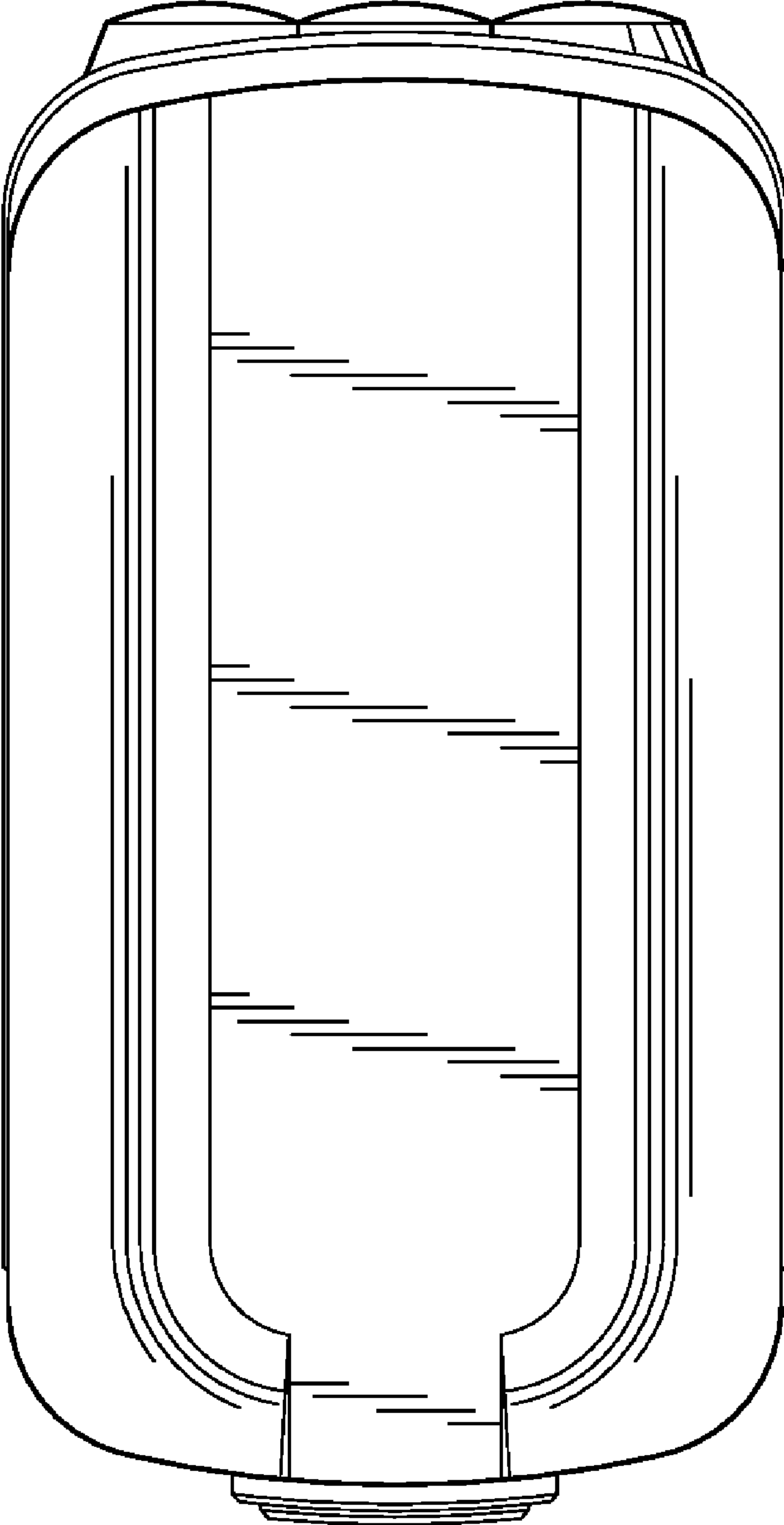


FIG. 7

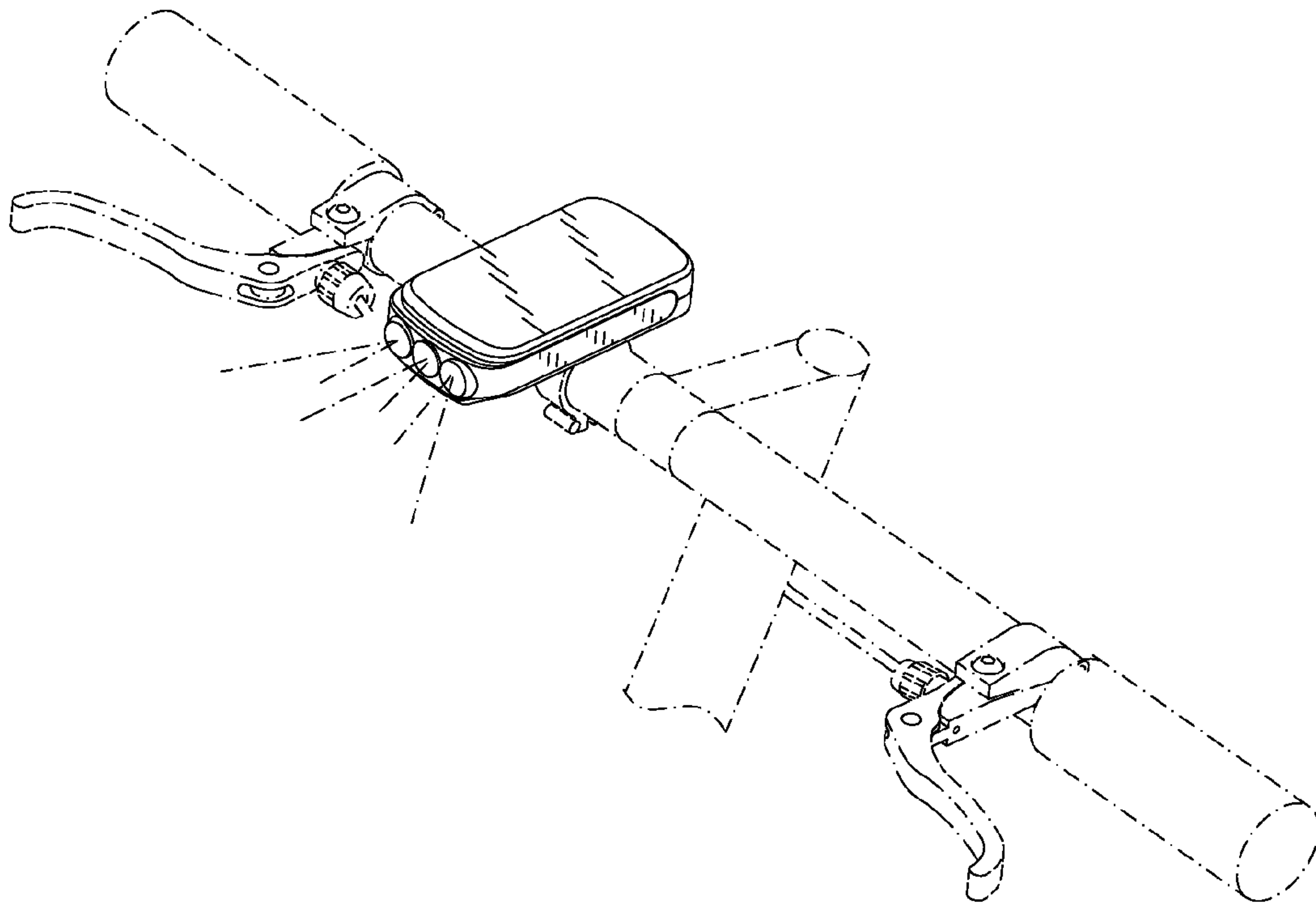


FIG. 8