



US00D634038S

(12) **United States Design Patent**  
**Ritzenhoff**

(10) **Patent No.:** **US D634,038 S**

(45) **Date of Patent:** **\*\* Mar. 8, 2011**

(54) **CANDLESTICK**

(75) Inventor: **Andreas Ritzenhoff**, Marburg (DE)

(73) Assignee: **Seidel GmbH & Co**, Marburg (DE)

(\*\*) Term: **14 Years**

(21) Appl. No.: **29/341,760**

(22) Filed: **Aug. 12, 2009**

(30) **Foreign Application Priority Data**

Feb. 13, 2009 (EM) ..... 001088132-0001/0002

(51) **LOC (9) Cl.** ..... **26-01**

(52) **U.S. Cl.** ..... **D26/22**

(58) **Field of Classification Search** ..... D26/1-23,  
D26/114-137, 24; D11/117; 428/7-11;  
431/291, 311, 320, 298, 288; 362/161-163,  
362/351, 569, 392

See application file for complete search history.

(56) **References Cited**

**U.S. PATENT DOCUMENTS**

2,279,137 A \* 4/1942 Guilfoil, Jr. .... 431/291

6,120,283 A \* 9/2000 Cousins ..... 431/289

D433,168 S \* 10/2000 Cousins ..... D26/9

2007/0298360 A1\* 12/2007 Ukra ..... 431/289

\* cited by examiner

*Primary Examiner*—T. Chase Nelson

*Assistant Examiner*—Ania K Dworzecka

(74) *Attorney, Agent, or Firm*—Fredrikson & Byron, P.A.

(57) **CLAIM**

I claim the ornamental design for a candlestick, as show and described.

**DESCRIPTION**

FIG. 1 is a front perspective view incorporating my new design;

FIG. 2 is a front elevation view thereof, the back, left and right elevation views being mirror images thereof;

FIG. 3 is a bottom view thereof;

FIG. 4 is a right perspective view of my new design according to a second embodiment;

FIG. 5 is a front elevation side view of my new design, the back, left and right elevation views being mirror images thereof; and,

FIG. 6 is a bottom view thereof.

The portions of the candlestick shown in broken lines form no part of the claimed design.

**1 Claim, 6 Drawing Sheets**

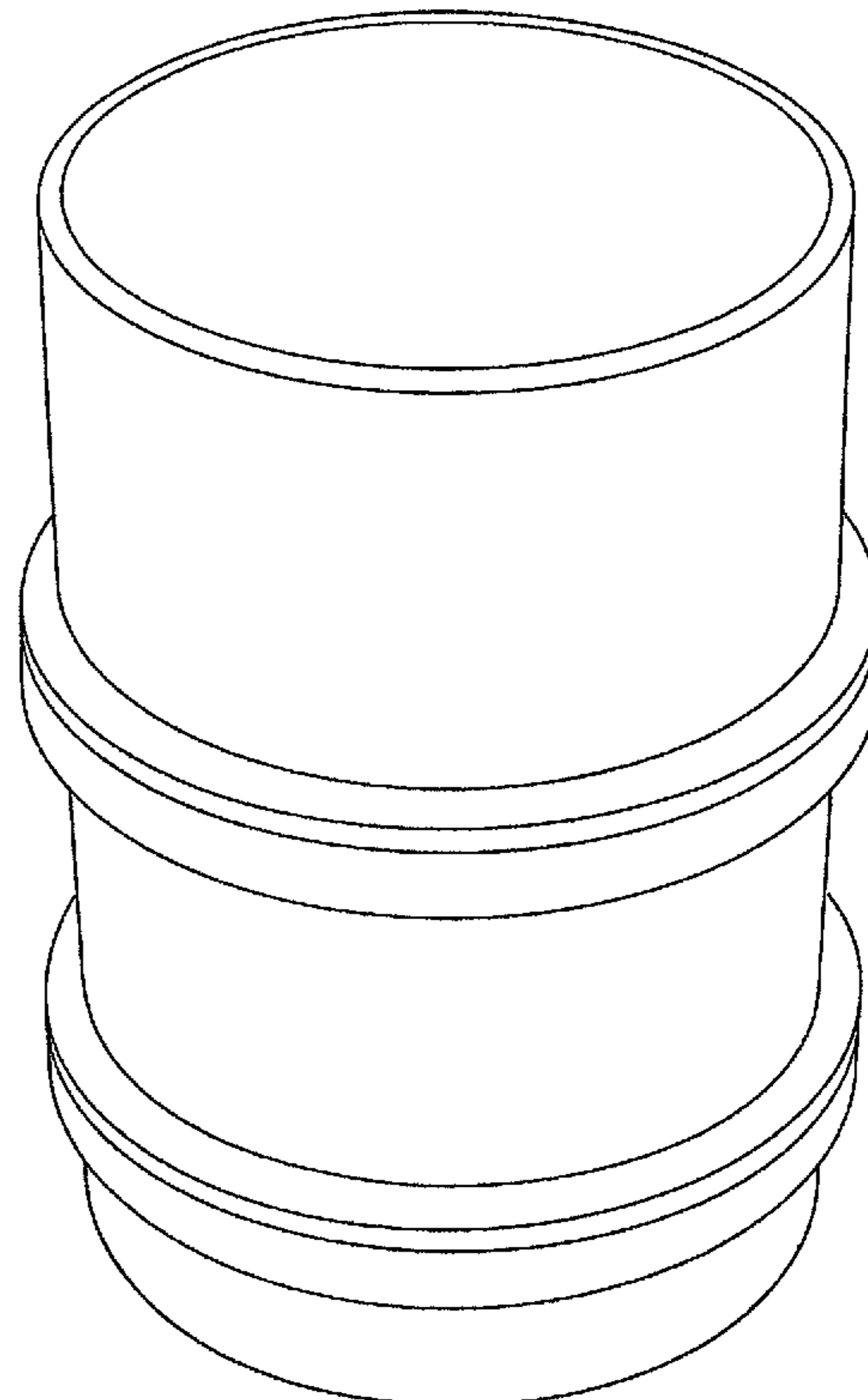
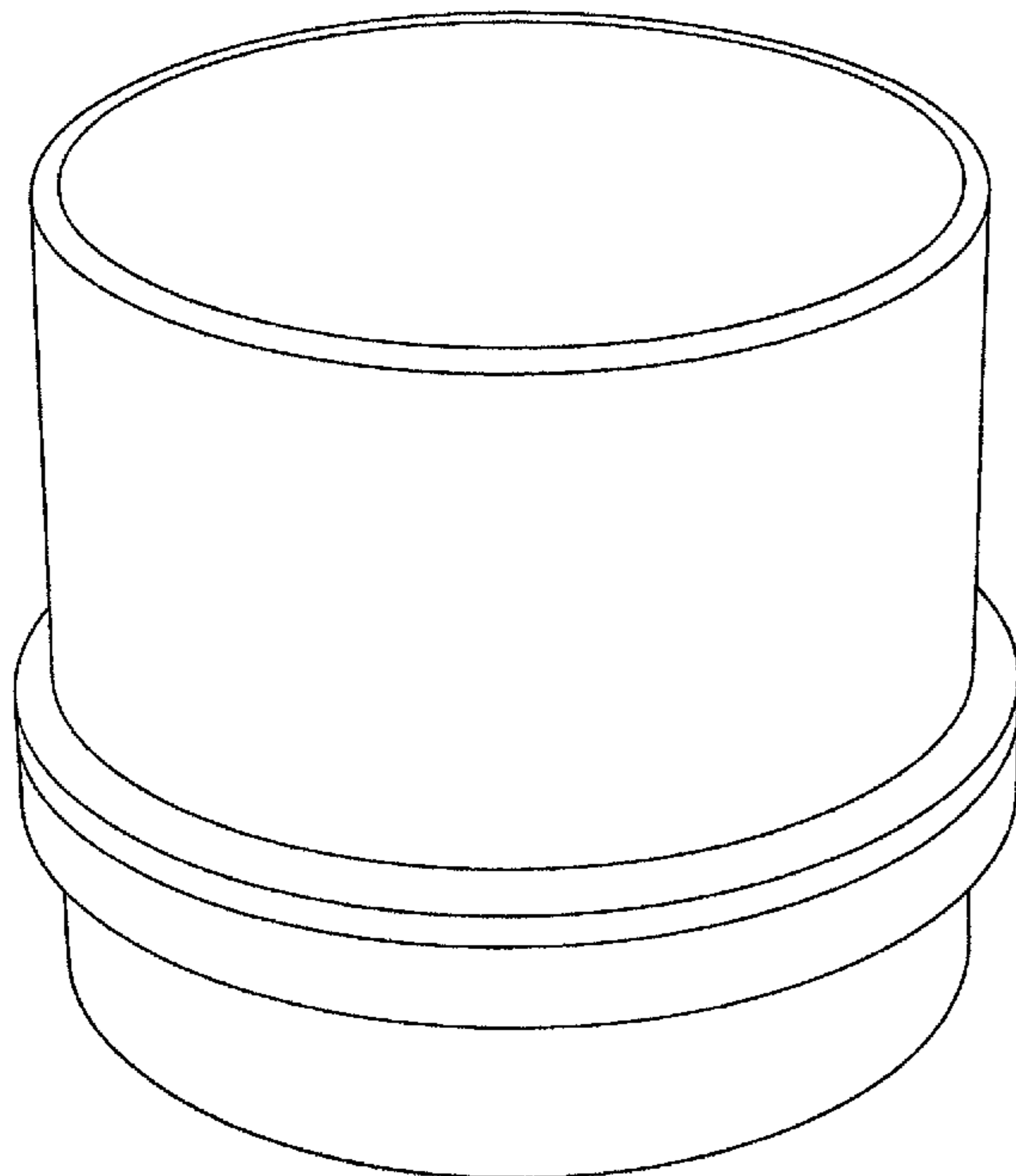


Fig. 1

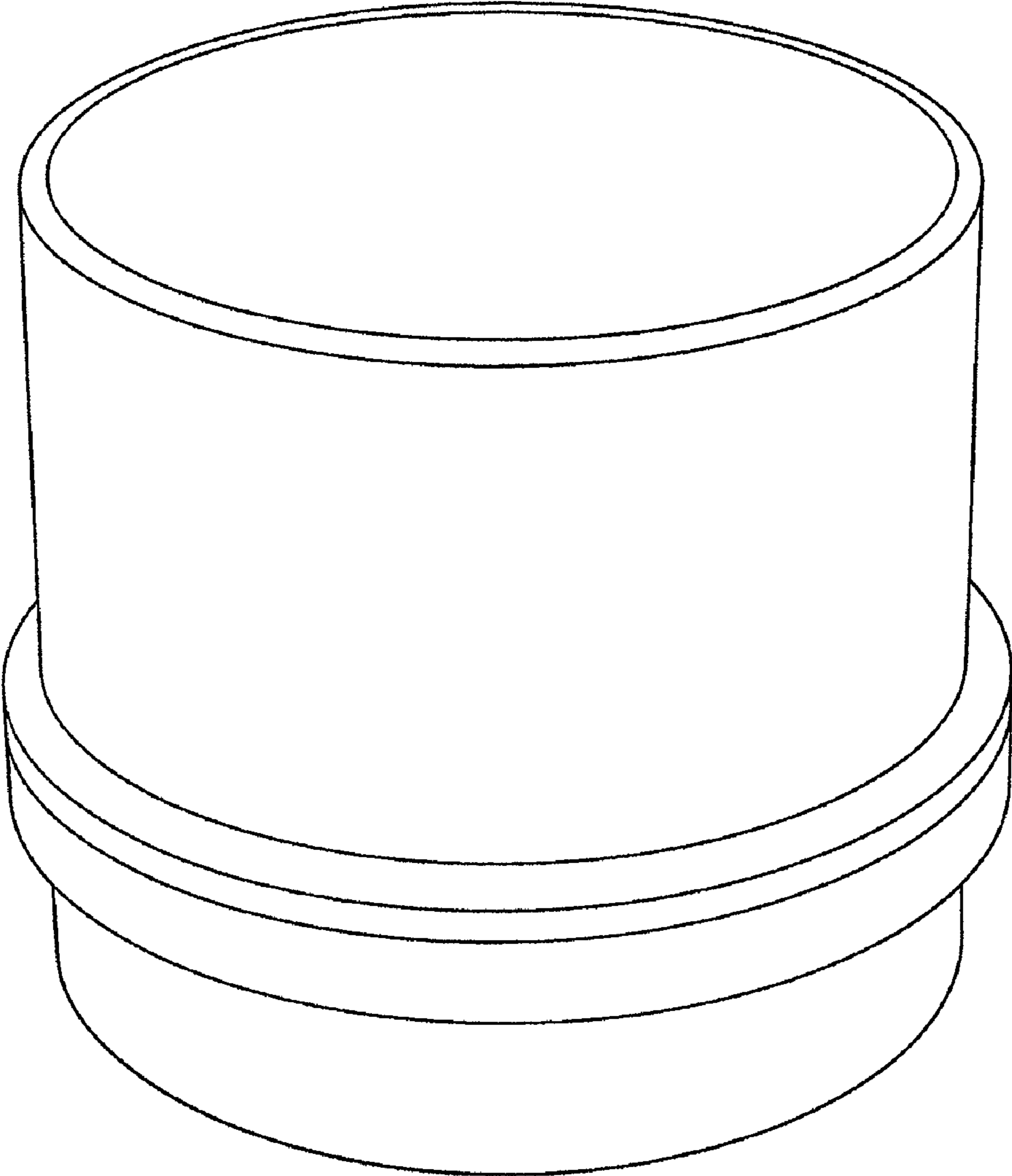
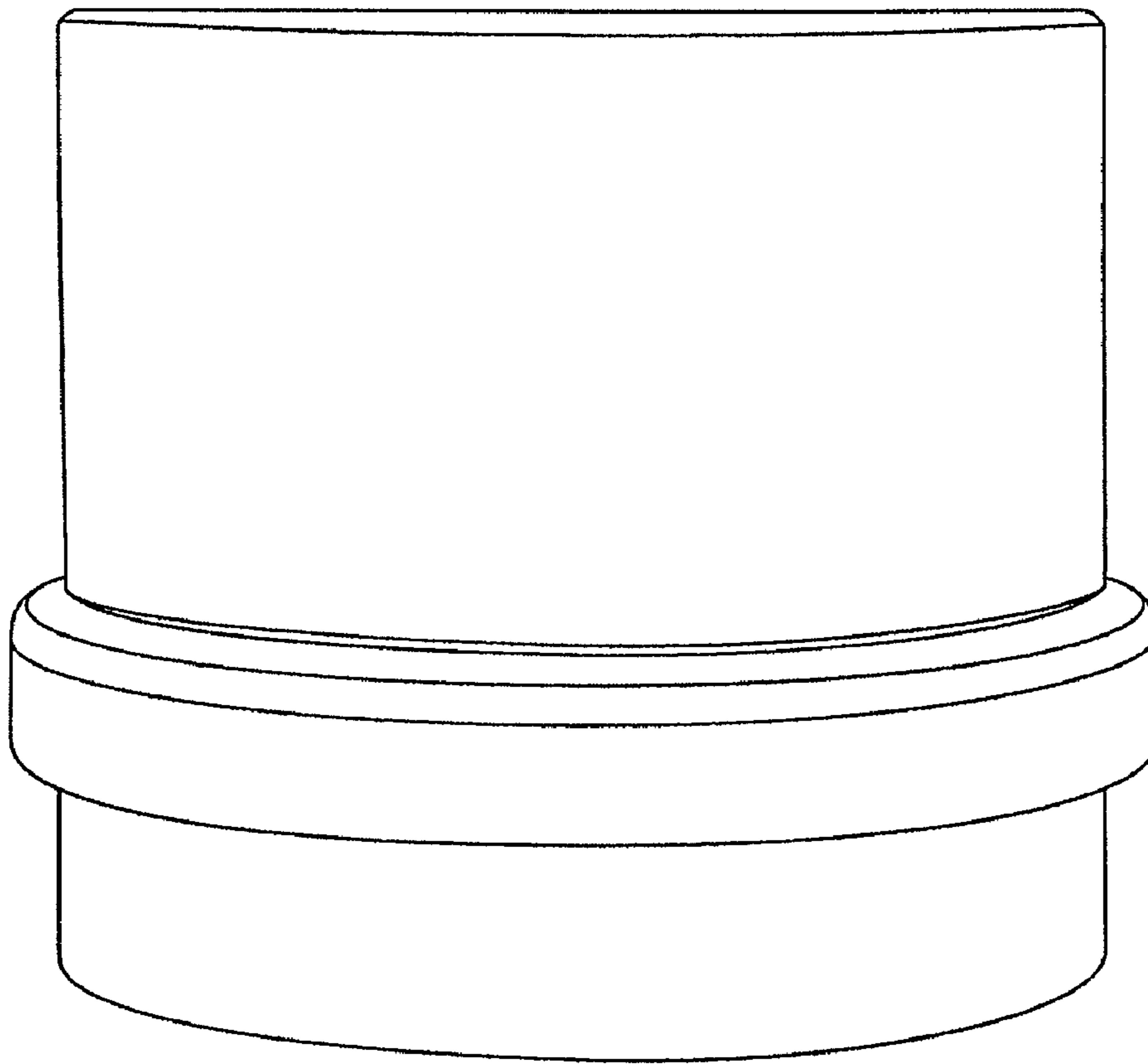


Fig. 2



**Fig. 3**

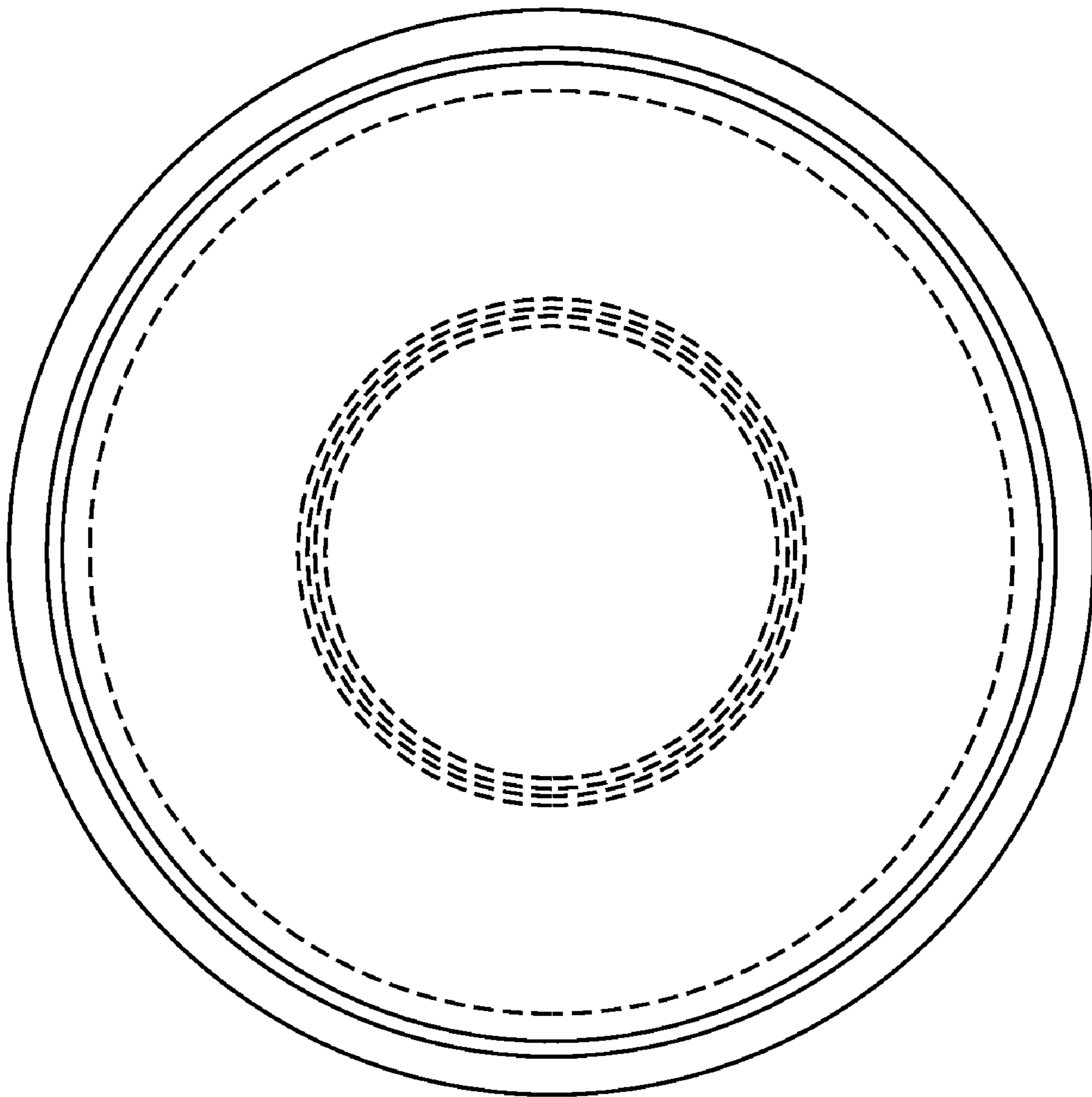


Fig. 4

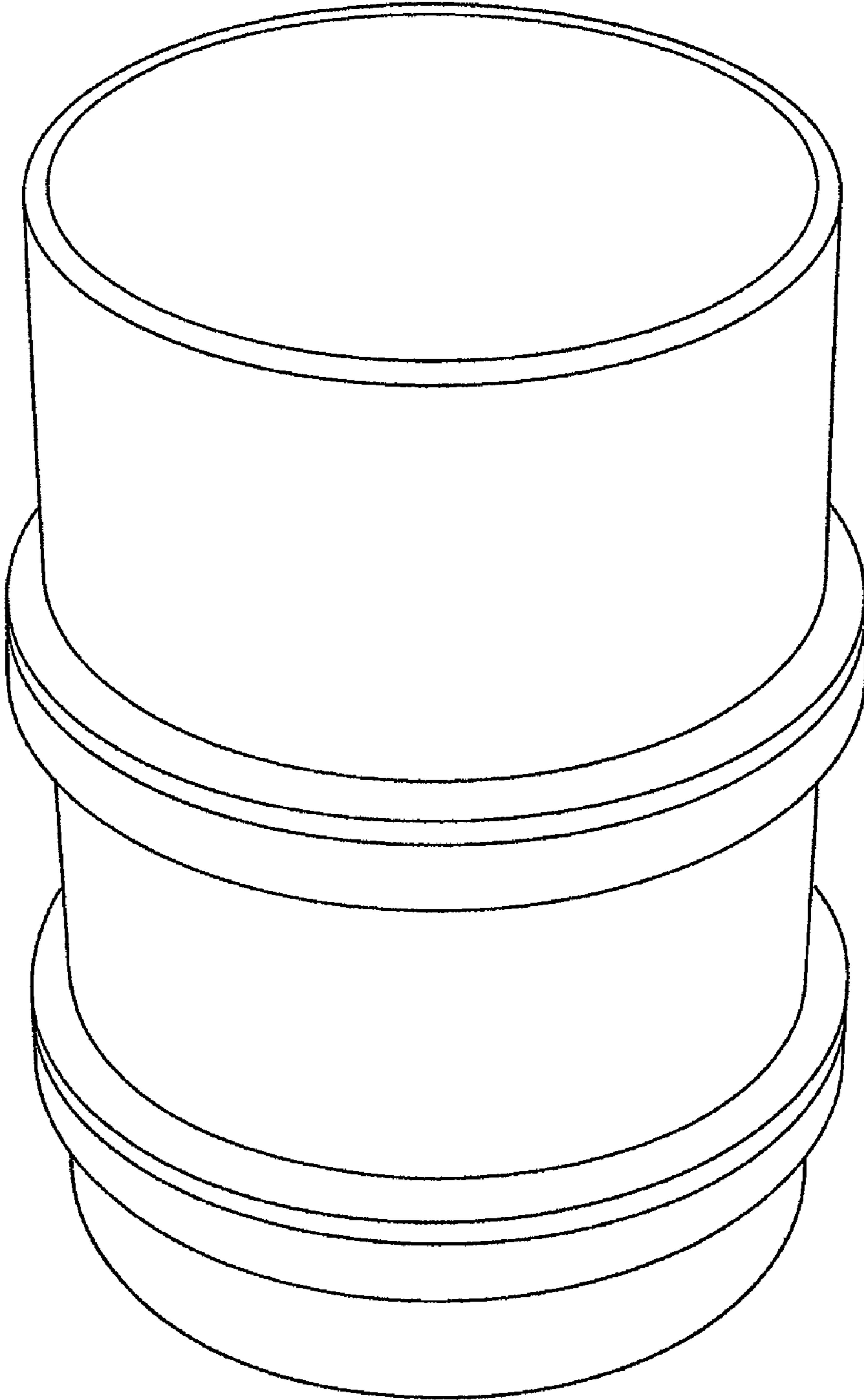
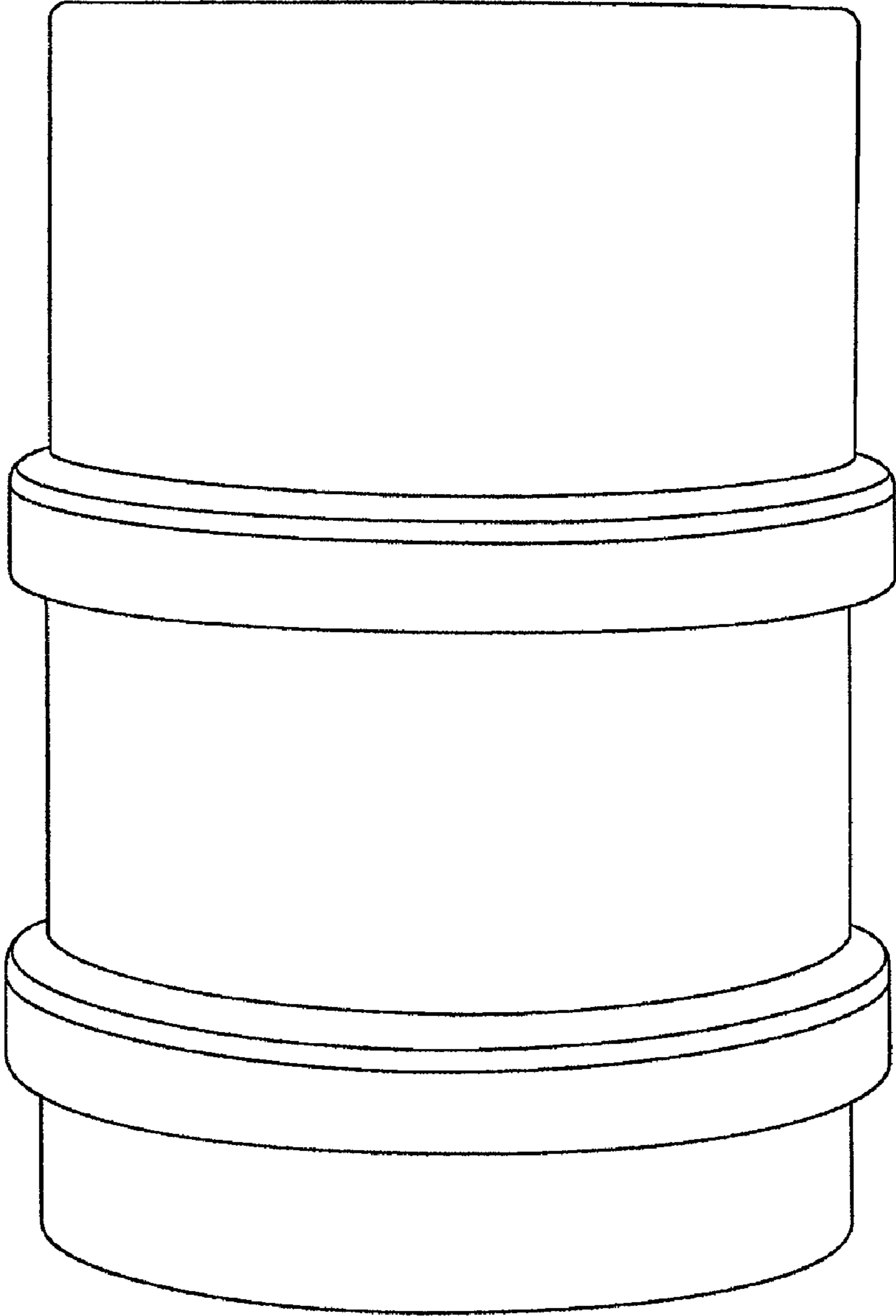


Fig. 5



**Fig. 6**

