



US00D634037S

(12) **United States Design Patent**
Jeong et al.

(10) **Patent No.:** **US D634,037 S**
(45) **Date of Patent:** **** Mar. 8, 2011**

(54) **LED BULB**

(75) Inventors: **Sang Dong Jeong**, Incheon (KR); **Tae Gi Yoon**, Seoul (KR); **Jae Yeong Lee**, Seoul (KR)

(73) Assignee: **Amoluxe Co., Ltd.**, Gyeonggi-Do (KR)

(**) Term: **14 Years**

(21) Appl. No.: **29/361,633**

(22) Filed: **May 13, 2010**

(30) **Foreign Application Priority Data**

Mar. 15, 2010 (KR) 30-2010-0011190

(51) **LOC (9) Cl.** **26-04**

(52) **U.S. Cl.** **D26/2**

(58) **Field of Classification Search** D26/1-4;
313/313, 315, 316, 317, 318, 493; 315/52,
315/53, 56, 57, 58

See application file for complete search history.

(56) **References Cited**

U.S. PATENT DOCUMENTS

D508,575	S	*	8/2005	Buschmann et al.	D26/2
D528,227	S	*	9/2006	Chou et al.	D26/2
D531,741	S	*	11/2006	Takahashi	D26/2
D534,665	S	*	1/2007	Egawa et al.	D26/2
D601,278	S	*	9/2009	Takahashi	D26/2
D617,915	S	*	6/2010	Wada et al.	D26/2

* cited by examiner

Primary Examiner — Marcus A Jackson

(74) *Attorney, Agent, or Firm* — Rosenberg, Klein & Lee

(57) **CLAIM**

The ornamental design for a LED bulb, as shown and described.

DESCRIPTION

FIG. 1 is a perspective view of the LED bulb showing our new design;

FIG. 2 is the front view thereof;

FIG. 3 is the rear view thereof;

FIG. 4 is the left side view thereof;

FIG. 5 is the right side view thereof;

FIG. 6 is the top view thereof; and,

FIG. 7 is the bottom view thereof.

1 Claim, 7 Drawing Sheets

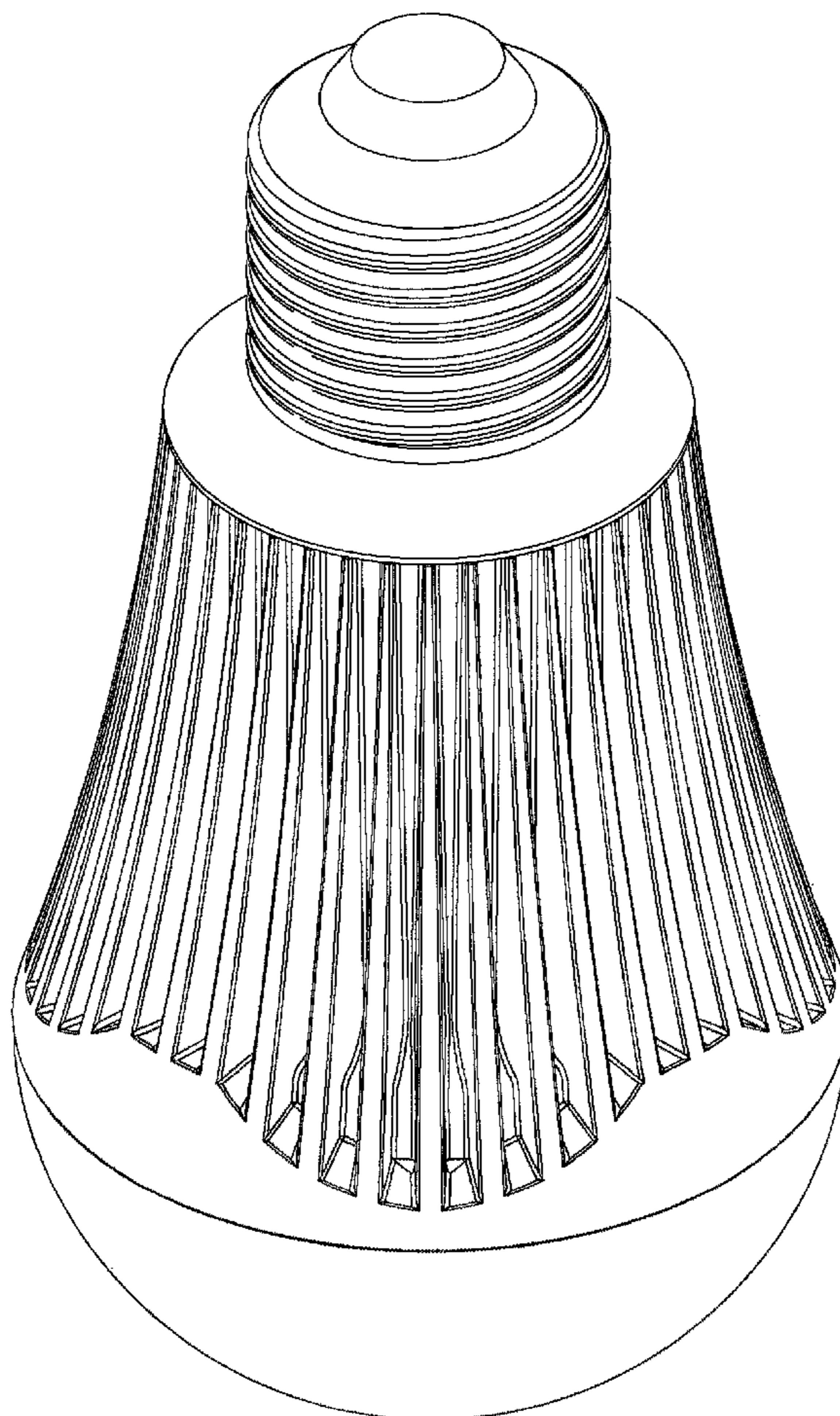


FIG. 1

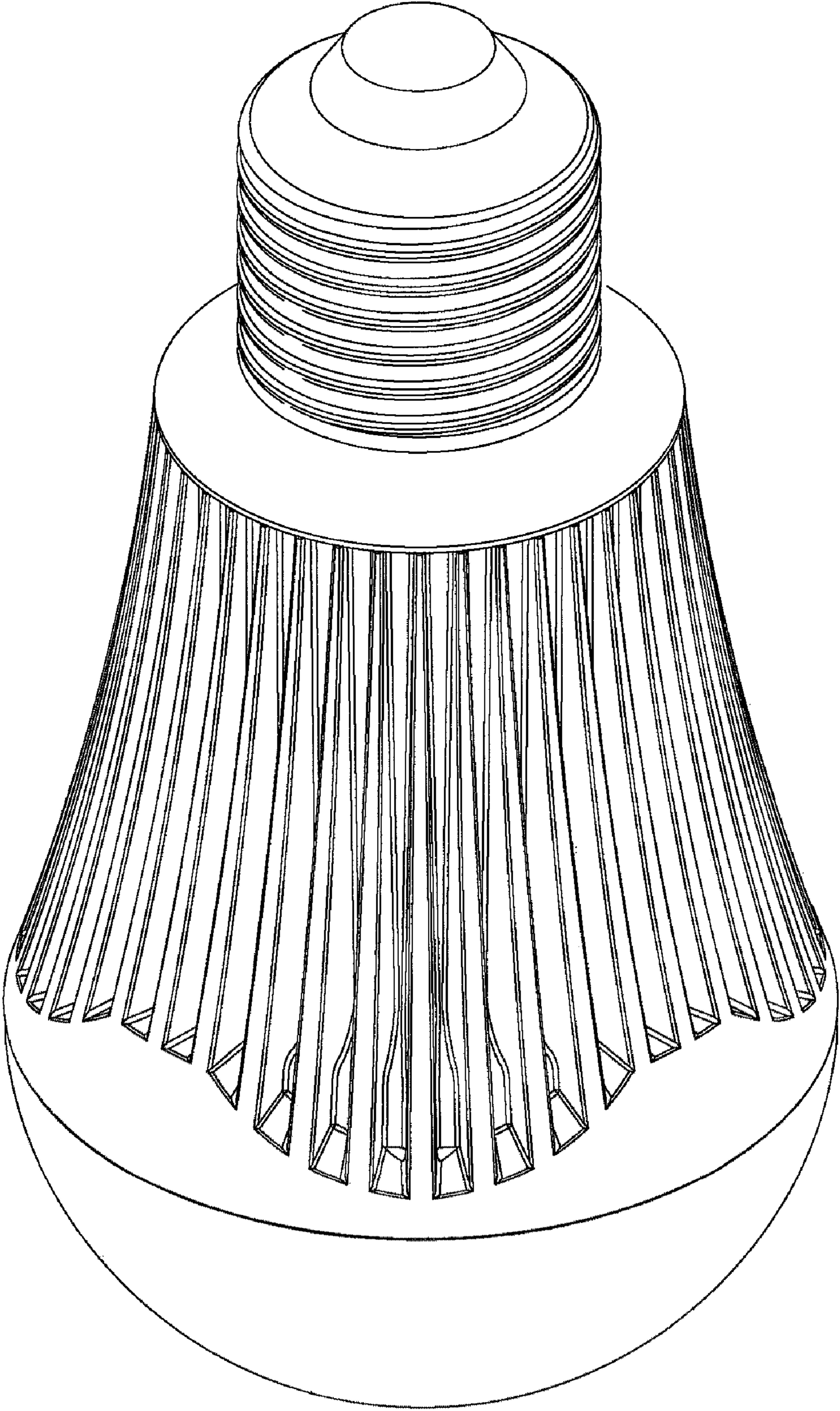


FIG. 2

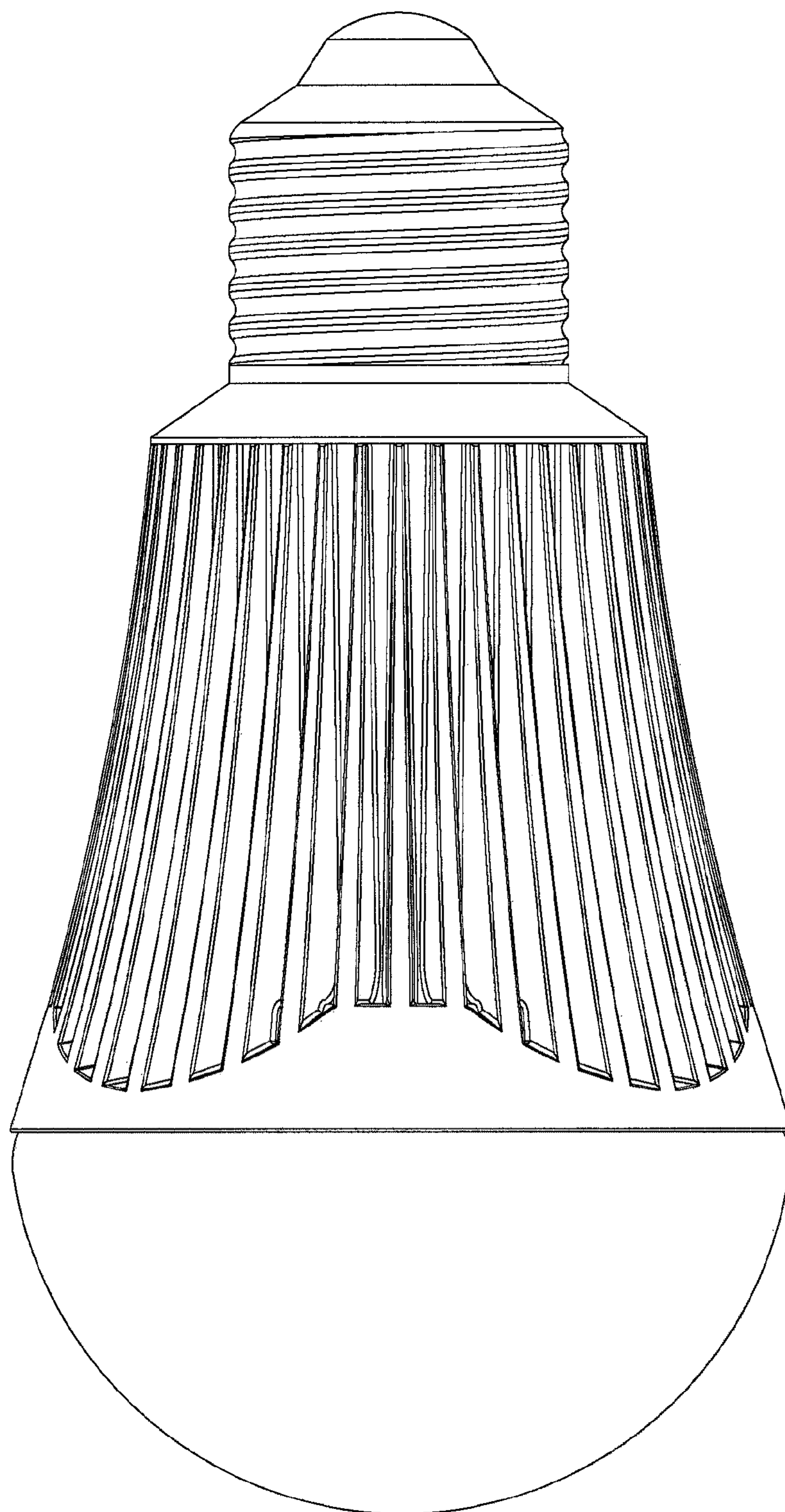


FIG. 3

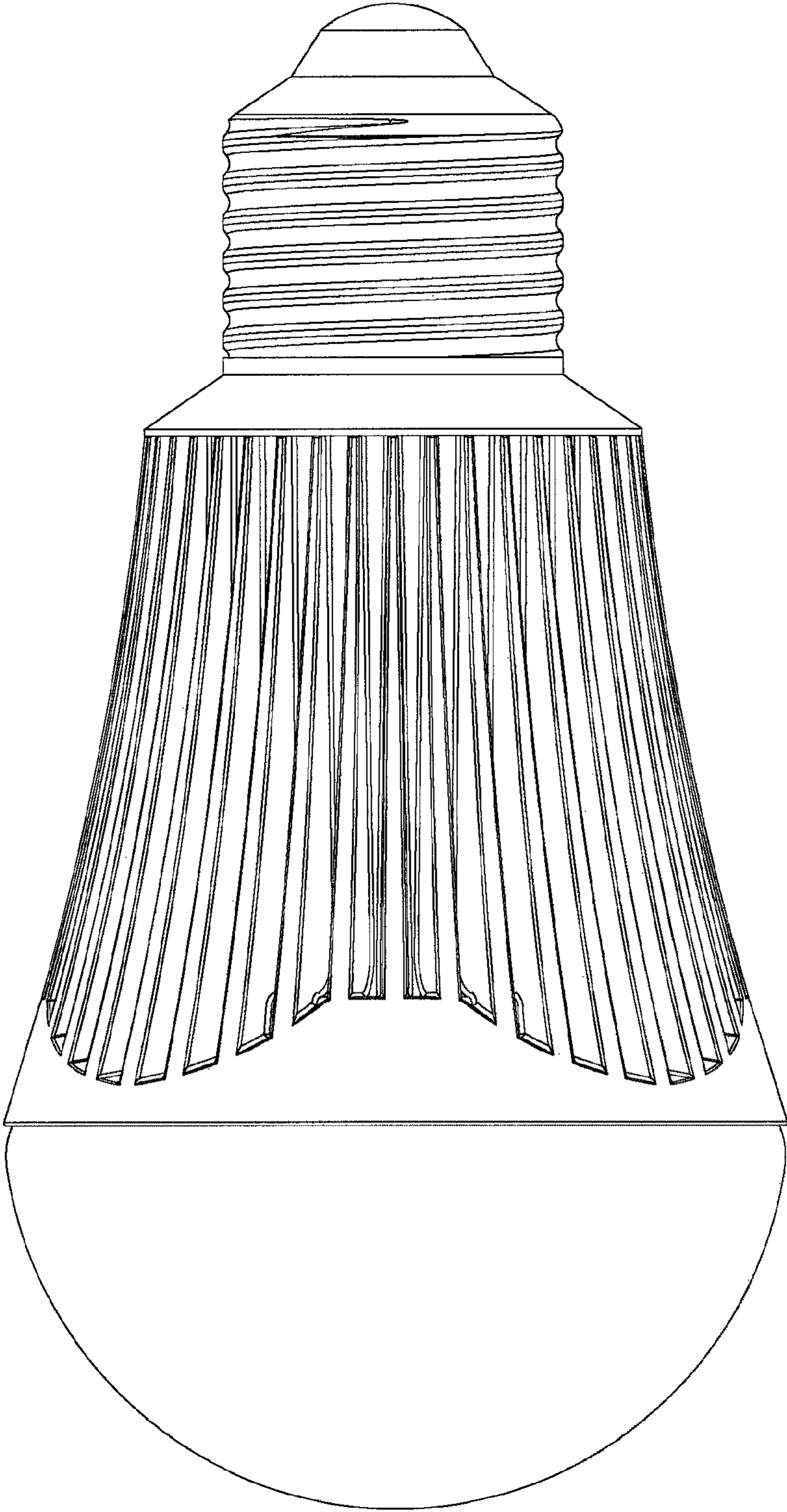


FIG. 4

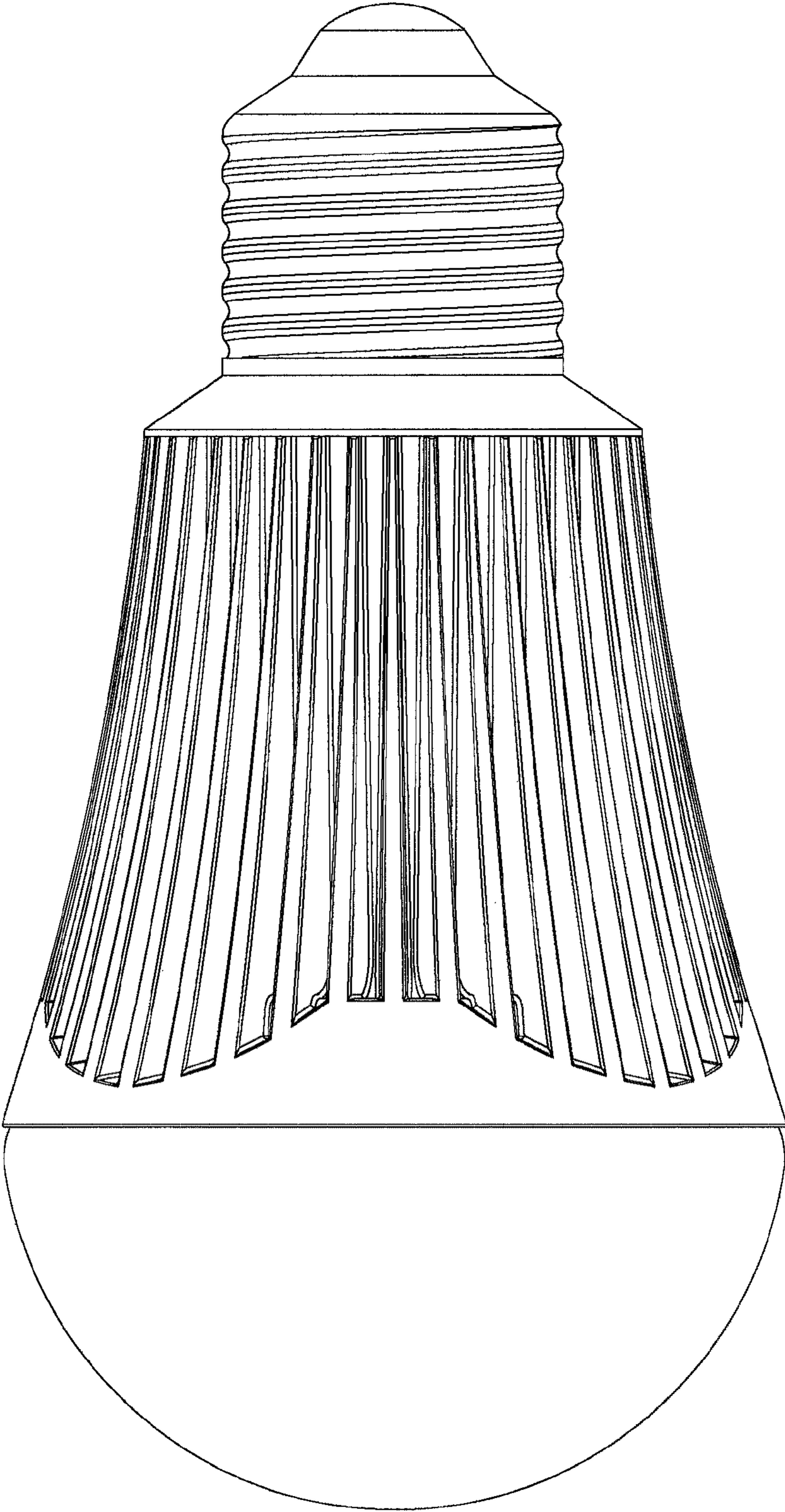


FIG. 5

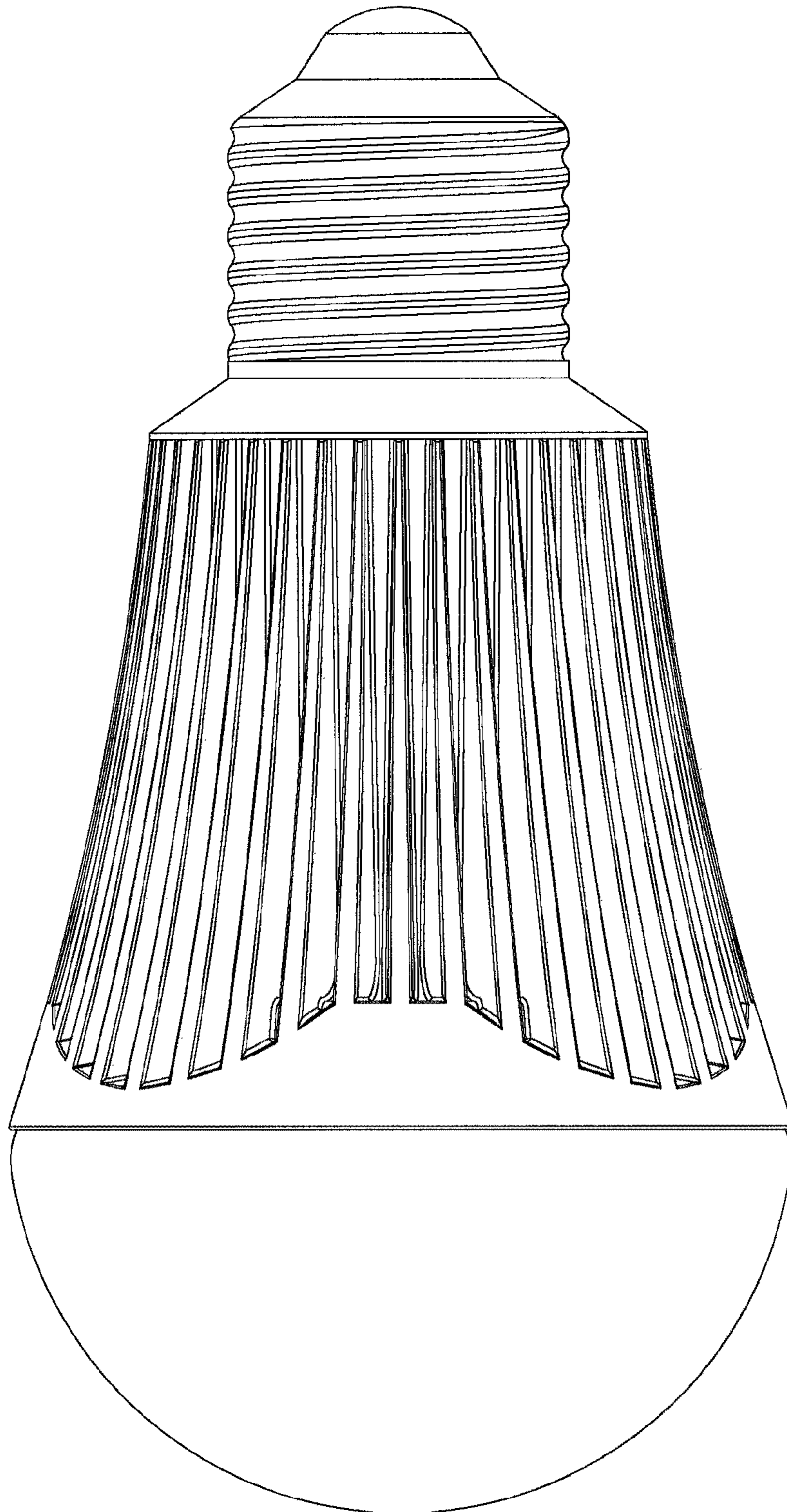


FIG. 6

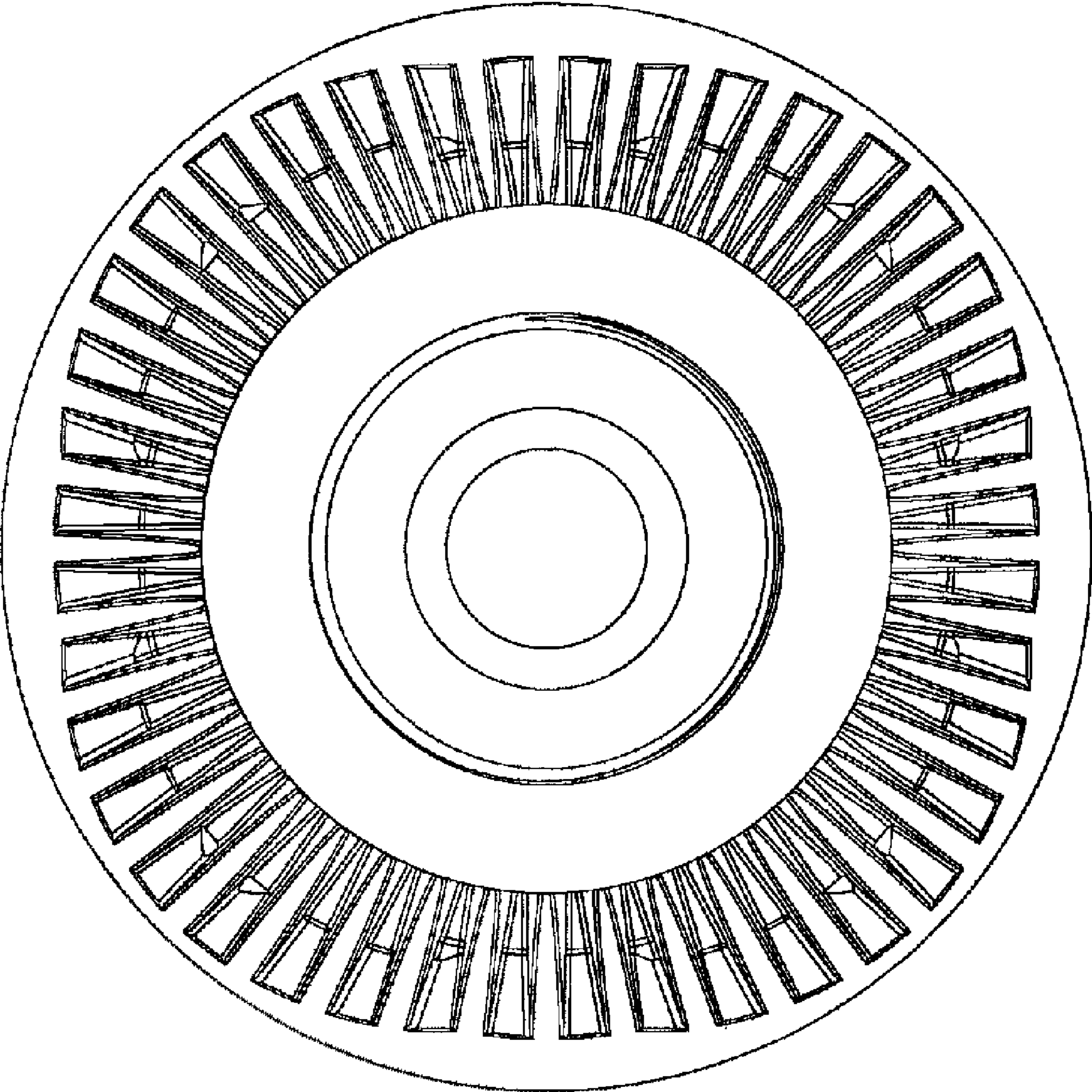


FIG. 7

