

US00D634034S

(12) **United States Design Patent**
Kim et al.

(10) **Patent No.:** **US D634,034 S**
(45) **Date of Patent:** **** Mar. 8, 2011**

(54) **LED LAMP**
(75) Inventors: **Han Gyoul Kim**, Seoul (KR); **Jin Wook Kim**, Seoul (KR)

D534,664 S * 1/2007 Geens D26/2
D545,456 S * 6/2007 Foo D26/2
D586,484 S * 2/2009 Liu et al. D26/2
D589,175 S * 3/2009 Xue D26/2
D601,722 S * 10/2009 Foo D26/2

(73) Assignee: **LG Innotek Co., Ltd.**, Seoul (KR)

* cited by examiner

(**) Term: **14 Years**

Primary Examiner — Marcus A Jackson

(21) Appl. No.: **29/360,127**

(74) *Attorney, Agent, or Firm* — McKenna Long & Aldridge LLP

(22) Filed: **Apr. 20, 2010**

(57) **CLAIM**

The ornamental design for an LED lamp, as shown and described.

(30) **Foreign Application Priority Data**

DESCRIPTION

Apr. 7, 2010 (KR) 30-2010-0015201

(51) **LOC (9) Cl.** **26-04**

(52) **U.S. Cl.** **D26/2**

(58) **Field of Classification Search** D26/1-4;
313/313, 315, 316, 317, 318, 493; 315/52,
315/53, 56, 57, 58

See application file for complete search history.

FIG. 1 is a top front perspective view of an LED lamp showing my new design;
FIG. 2 is a front elevational view thereof;
FIG. 3 is a rear elevational view thereof;
FIG. 4 is a left side elevational view thereof;
FIG. 5 is a right side elevational view thereof;
FIG. 6 is a top plan view thereof;
FIG. 7 is a bottom plan view thereof; and
FIG. 8 is a bottom front perspective view thereof.

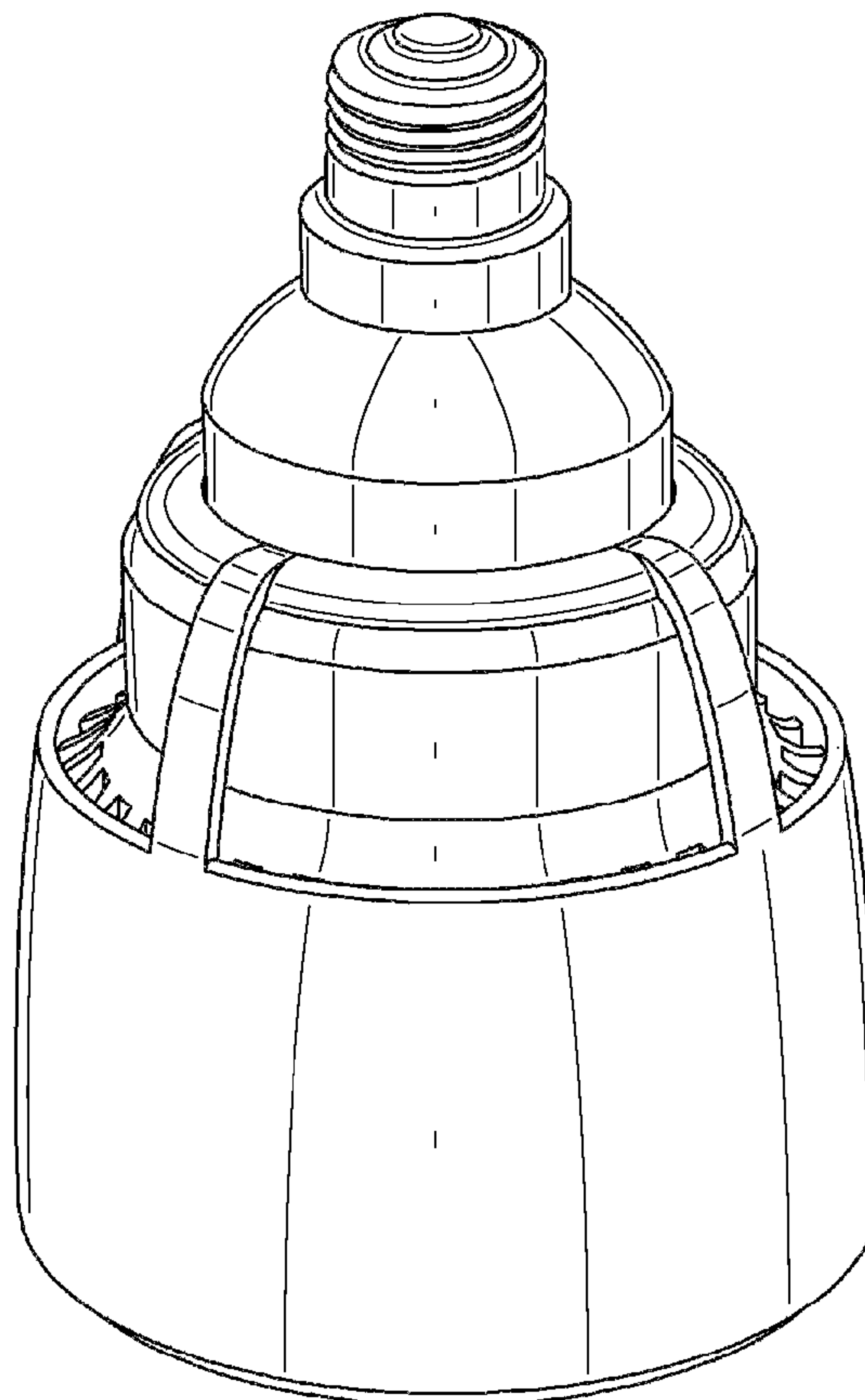
The broken diagonal lines in FIG. 8 demark light emitting parts and form no part of the design.

(56) **References Cited**

U.S. PATENT DOCUMENTS

D433,166 S * 10/2000 Noll D26/2
D435,306 S * 12/2000 McBride D26/2
D498,007 S * 11/2004 Bobel D26/2

1 Claim, 7 Drawing Sheets



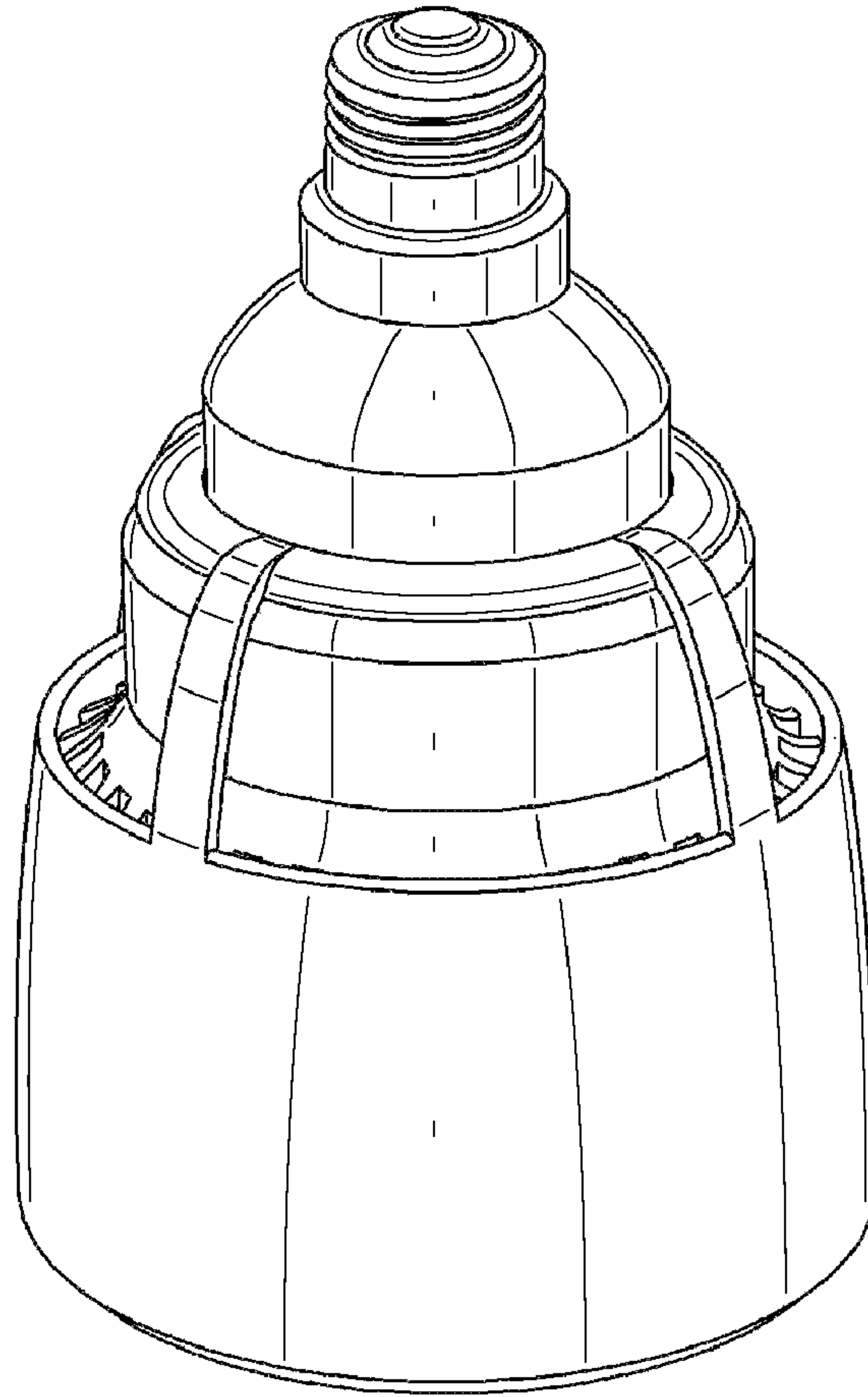


FIG. 1

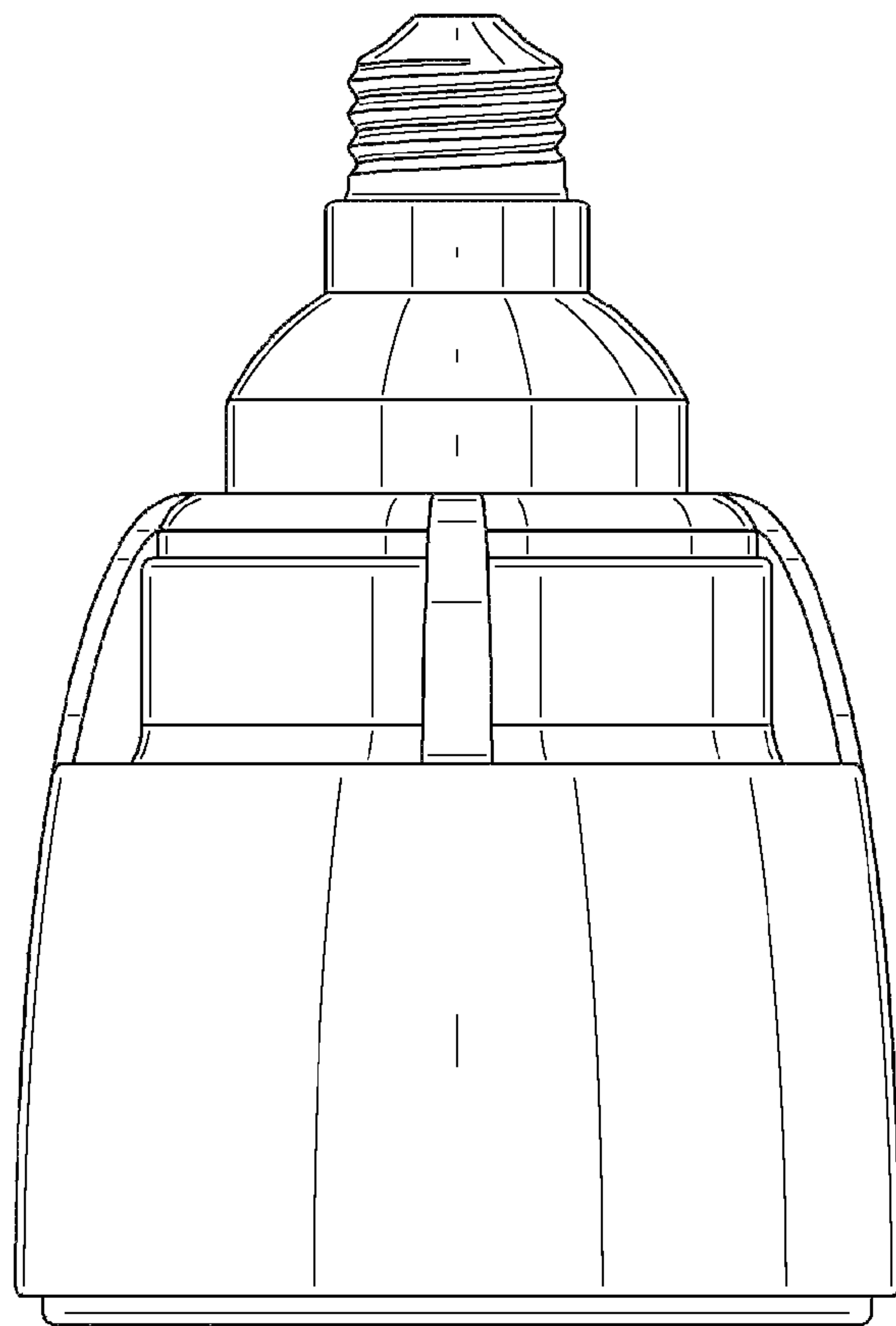


FIG. 2

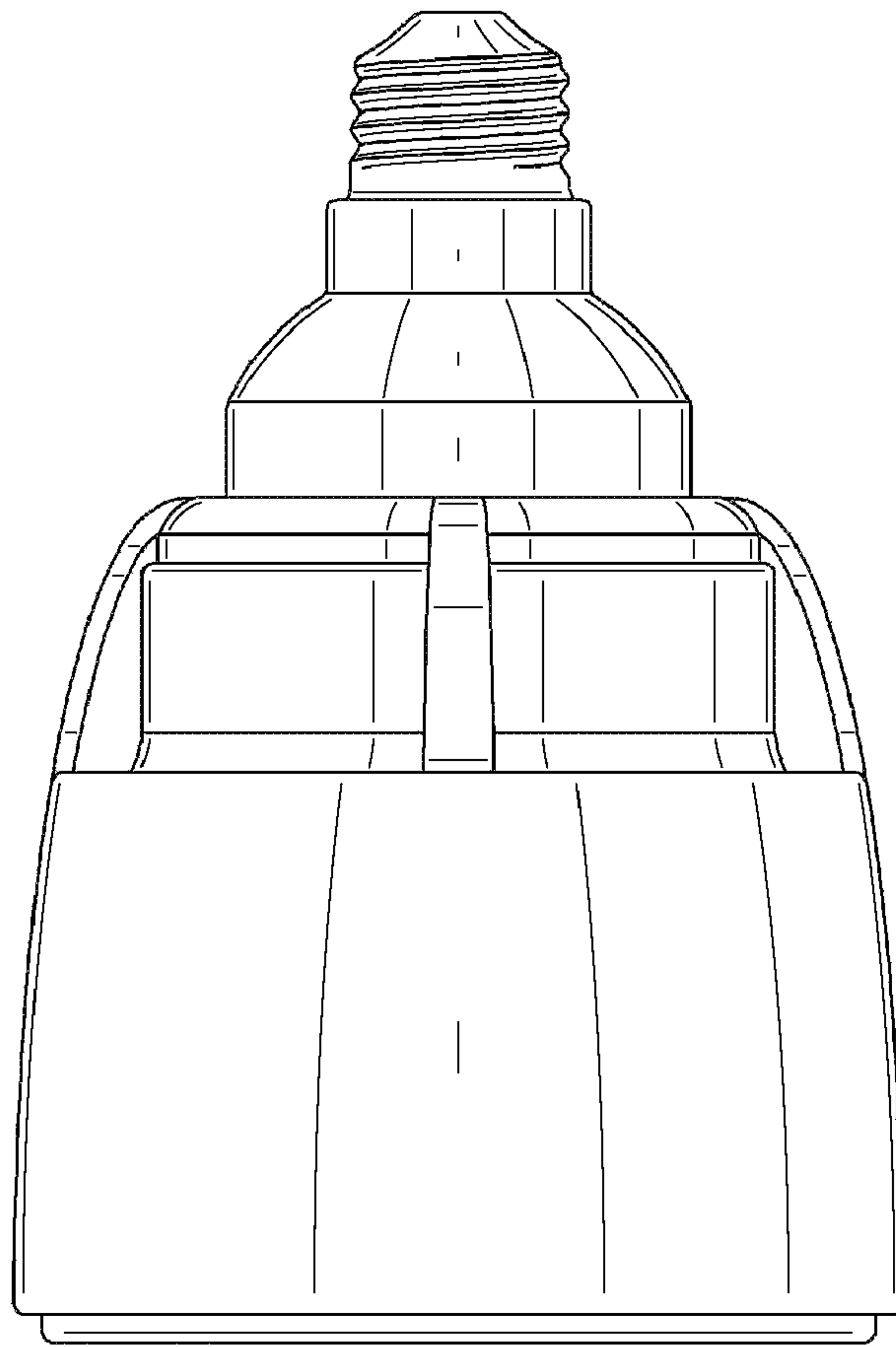


FIG. 3

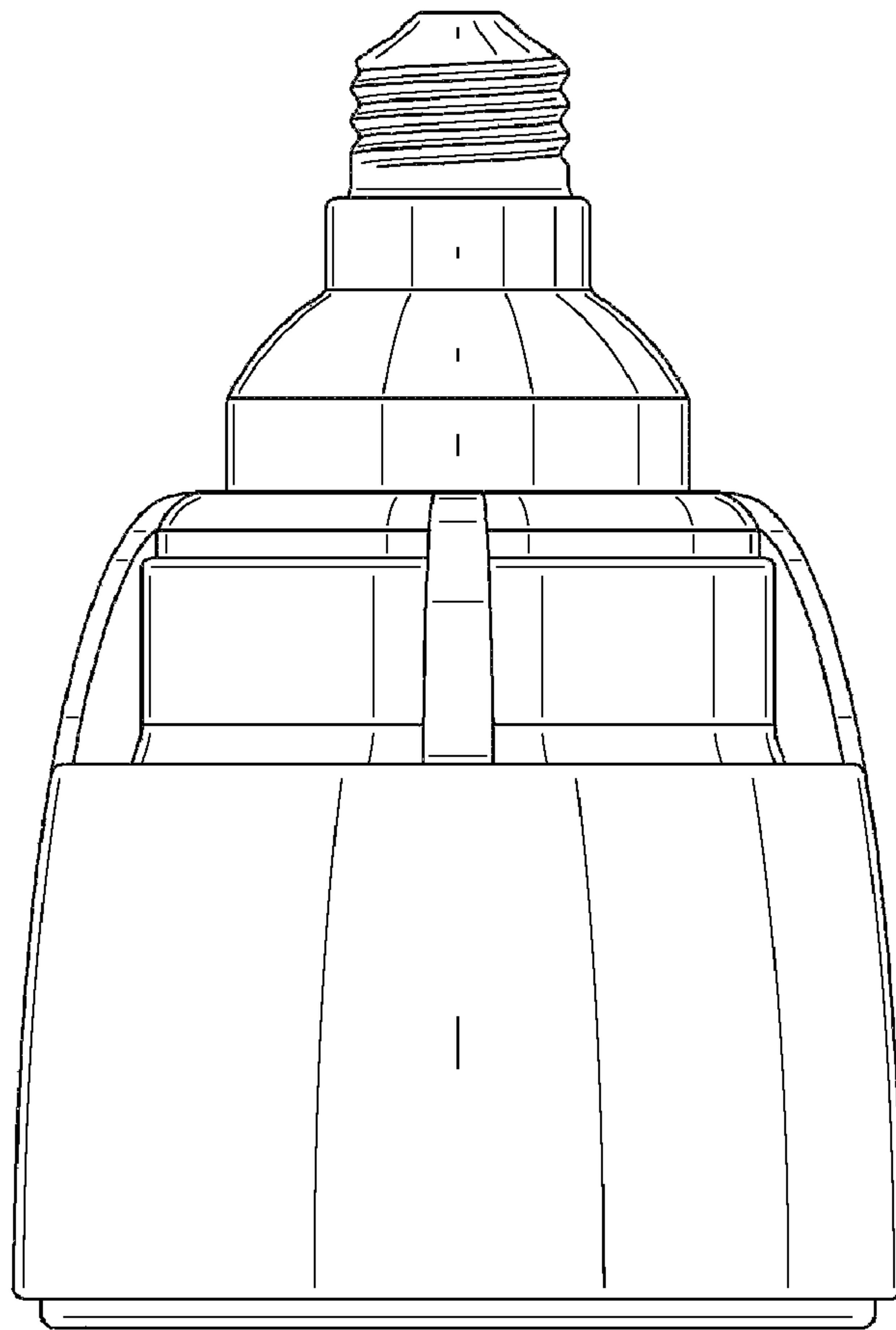


FIG. 4

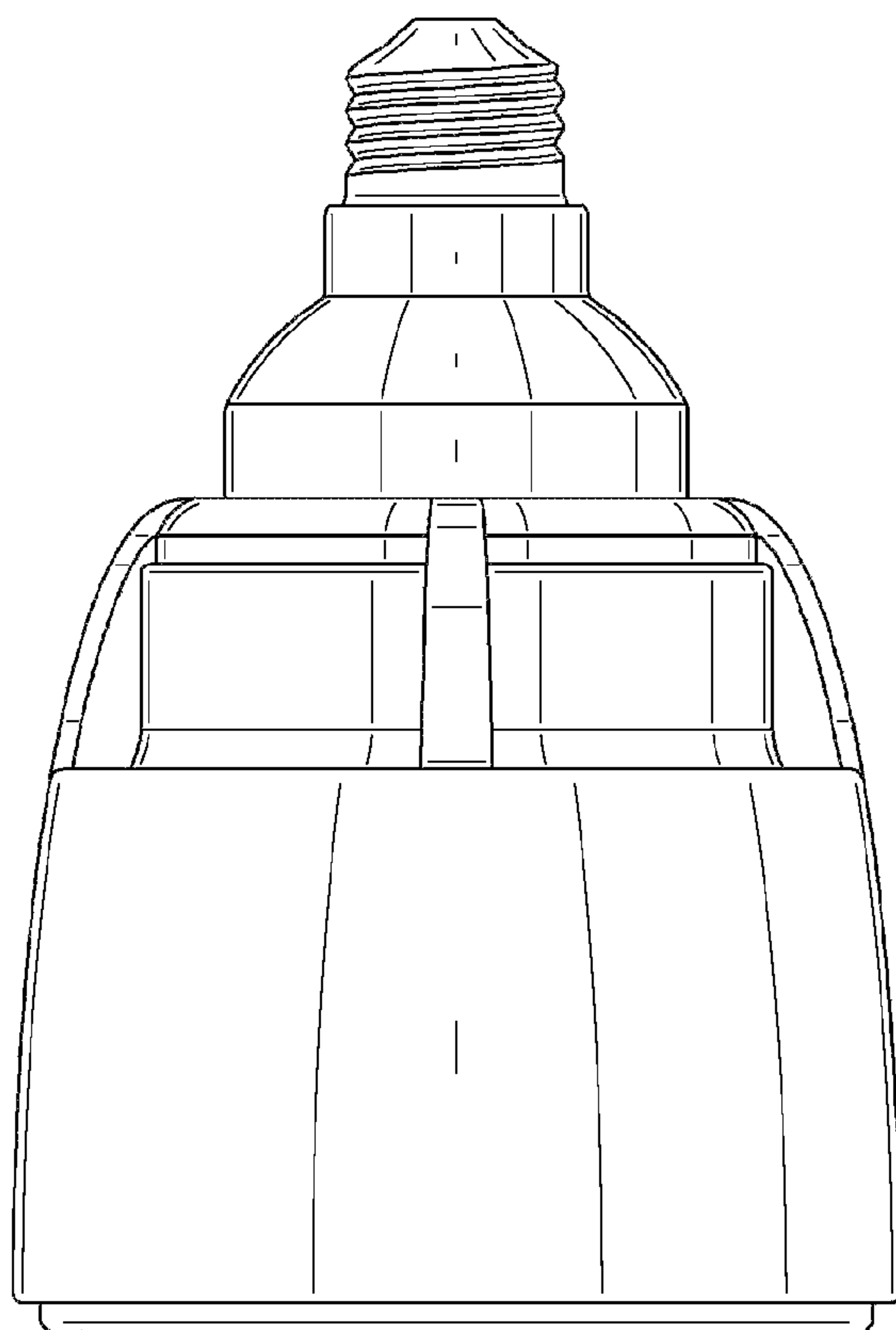


FIG. 5

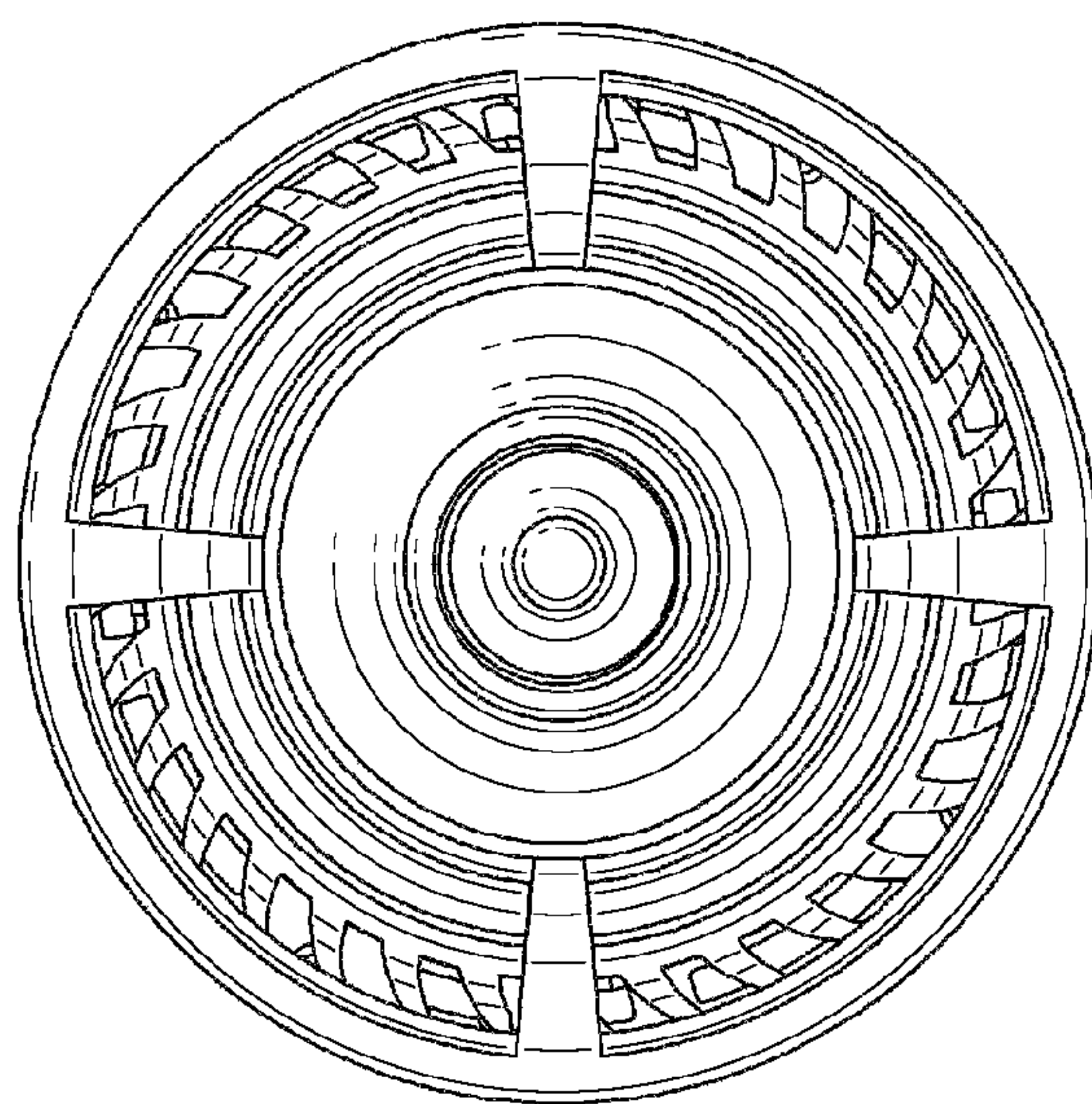


FIG. 6

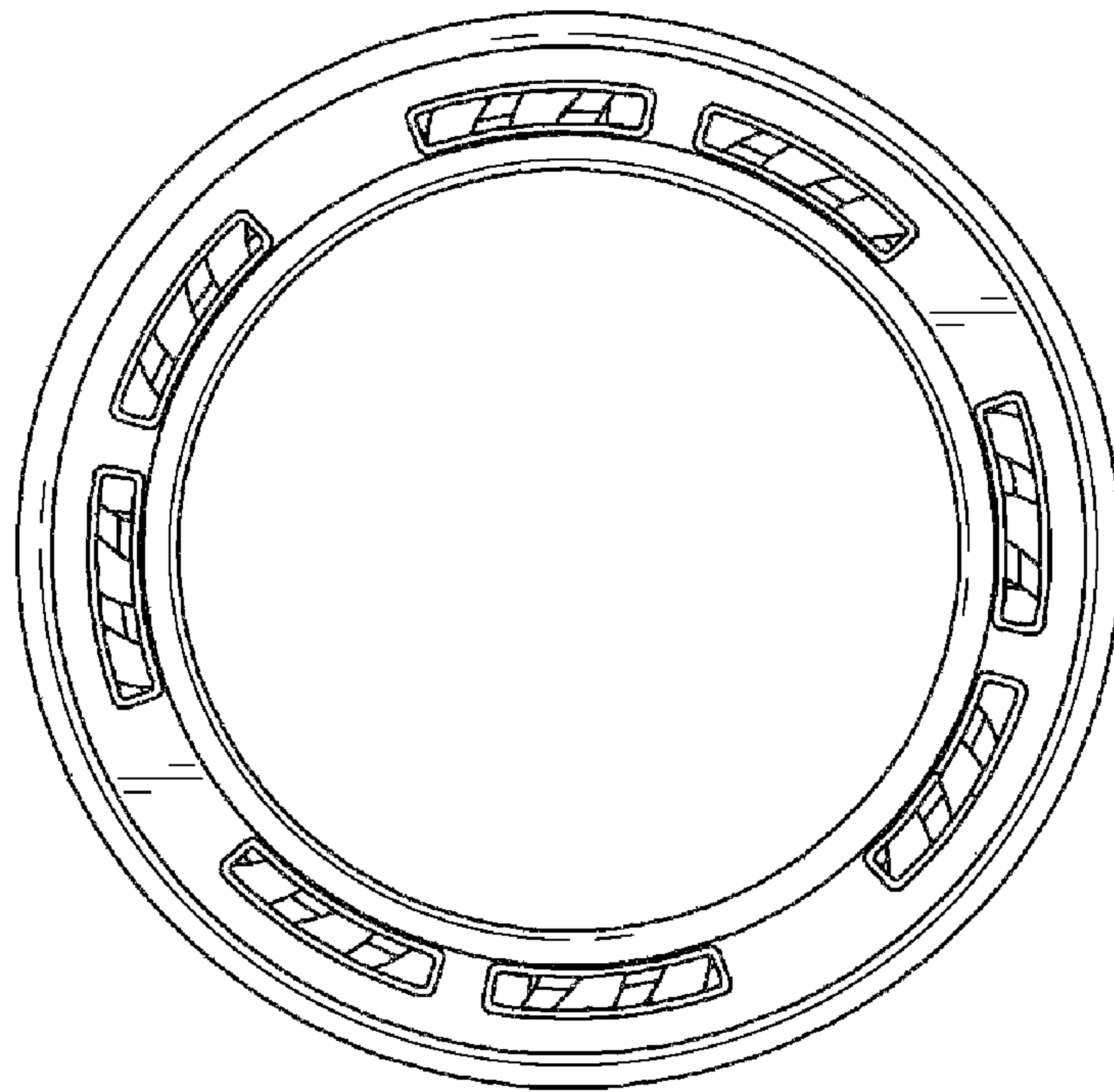


FIG. 7

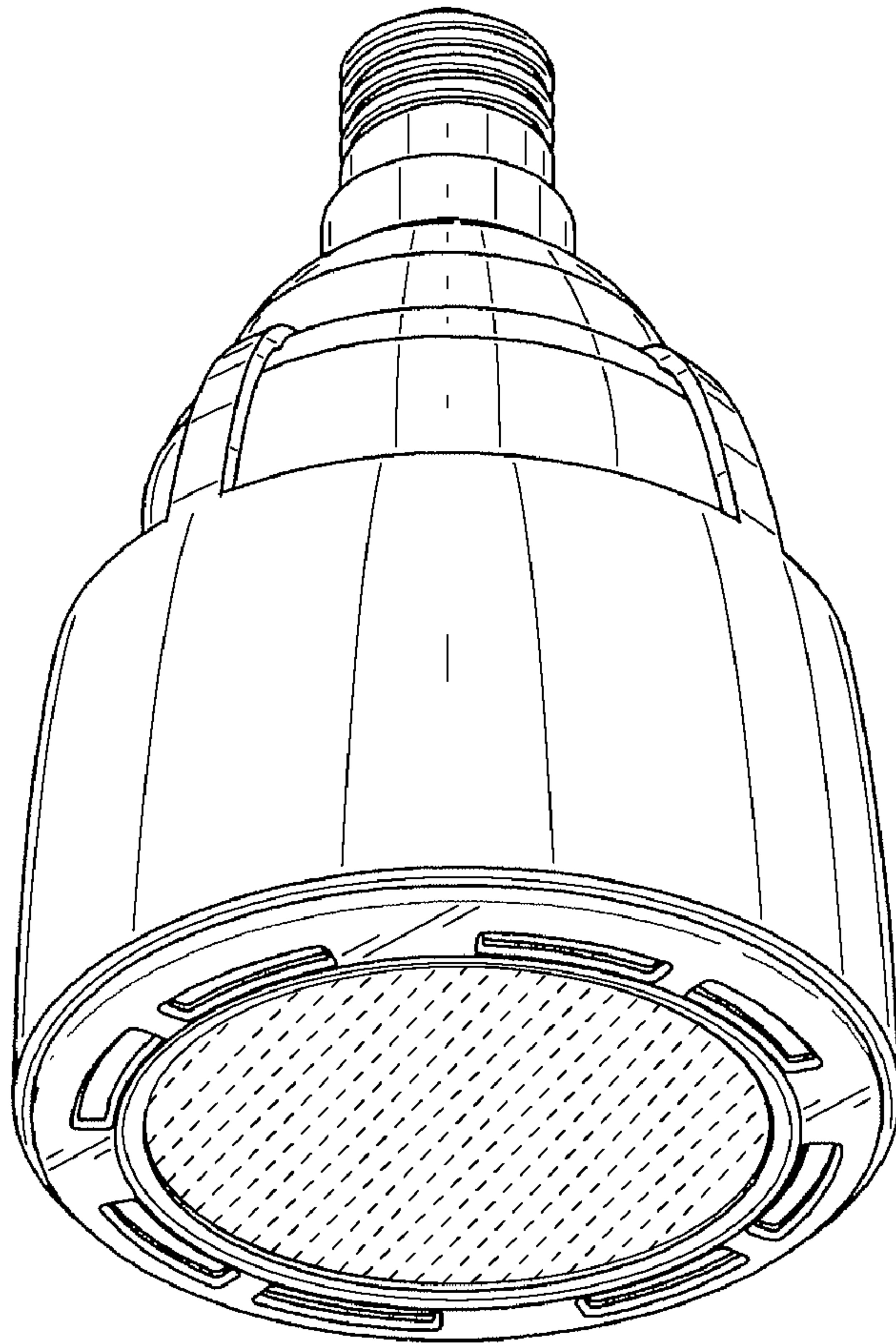


FIG. 8