



US00D634032S

(12) **United States Design Patent**
de Visser

(10) **Patent No.:** **US D634,032 S**

(45) **Date of Patent:** **** Mar. 8, 2011**

(54) **LED LIGHT**

D601,278 S * 9/2009 Takahashi D26/2

(76) Inventor: **Alexander Paul Johannus de Visser,**
Vierhouten (NL)

* cited by examiner

Primary Examiner—Marcus A Jackson

(74) *Attorney, Agent, or Firm*—Porzio, Bromberg &
Newman, P.C.

(**) Term: **14 Years**

(21) Appl. No.: **29/359,175**

(22) Filed: **Apr. 7, 2010**

(57) **CLAIM**

I claim, the ornamental design for a LED light, as shown and described.

(51) **LOC (9) Cl.** **26-04**

(52) **U.S. Cl.** **D26/2**

(58) **Field of Classification Search** D26/1-4;
313/313, 315, 316, 317, 318, 493; 315/52,
315/53, 56, 57, 58

See application file for complete search history.

DESCRIPTION

FIG. 1 is a perspective view, showing my new design;

FIG. 2 is a front view of FIG. 1;

FIG. 3 is back view of FIG. 1;

FIG. 4 is a side view taken from the right side of FIG. 1;

FIG. 5 is a side view taken from the left side of FIG. 1;

FIG. 6 is a top view of FIG. 1; and,

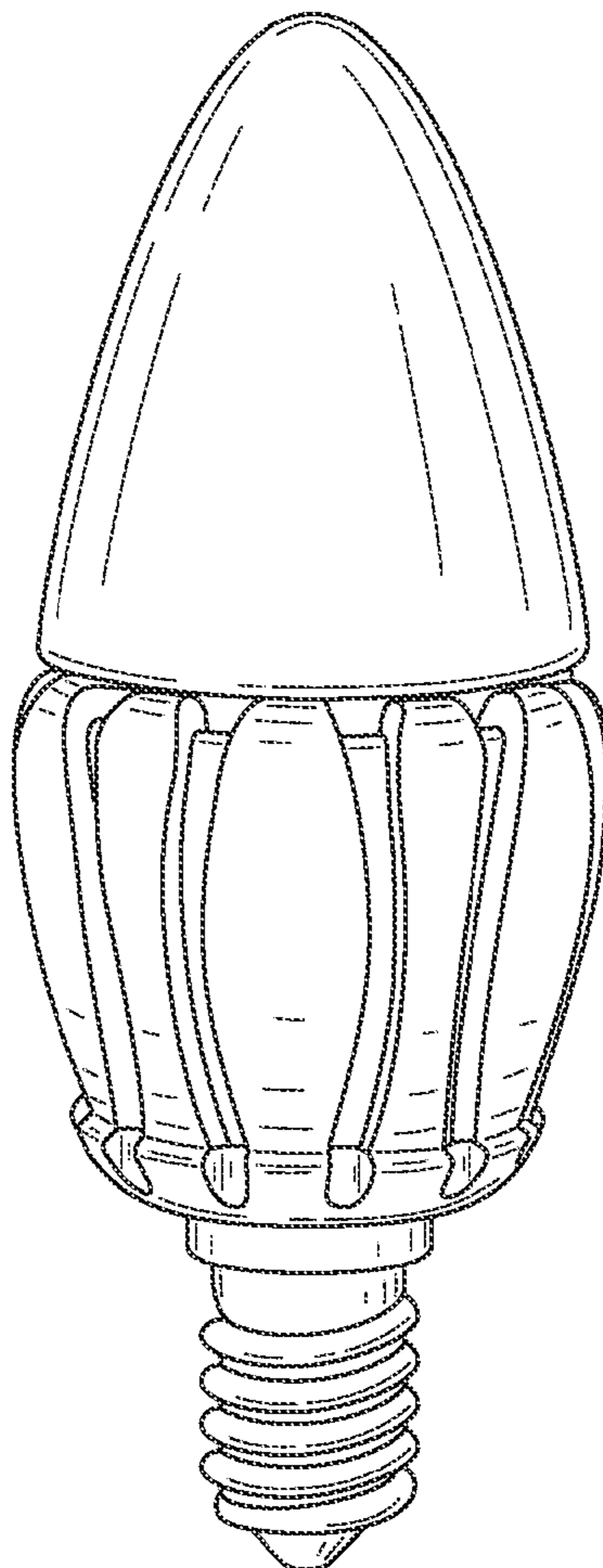
FIG. 7 is a bottom view of FIG. 1.

(56) **References Cited**

U.S. PATENT DOCUMENTS

D549,360 S *	8/2007	An	D26/2
D553,267 S *	10/2007	Yuen	D26/2
D560,286 S *	1/2008	Maxik et al.	D26/2
D566,300 S *	4/2008	Lo	D26/2
D570,504 S *	6/2008	Maxik et al.	D26/2

1 Claim, 4 Drawing Sheets



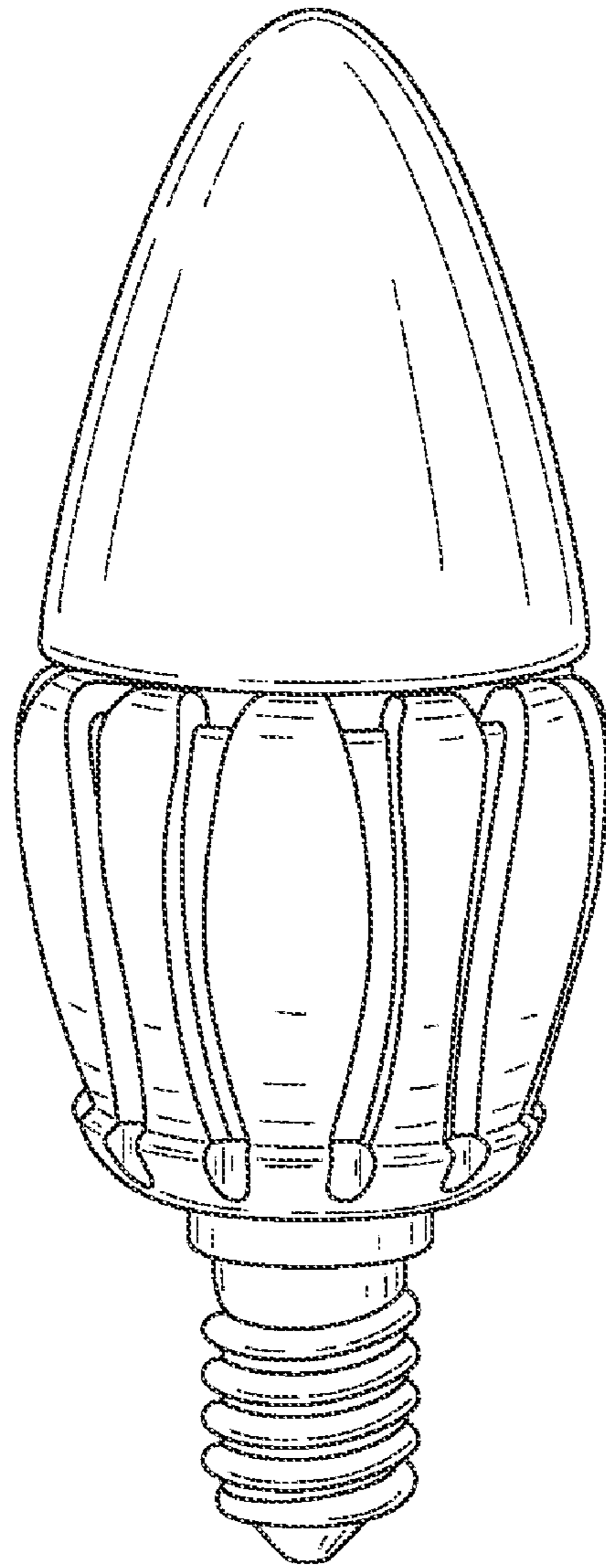


FIG. 1

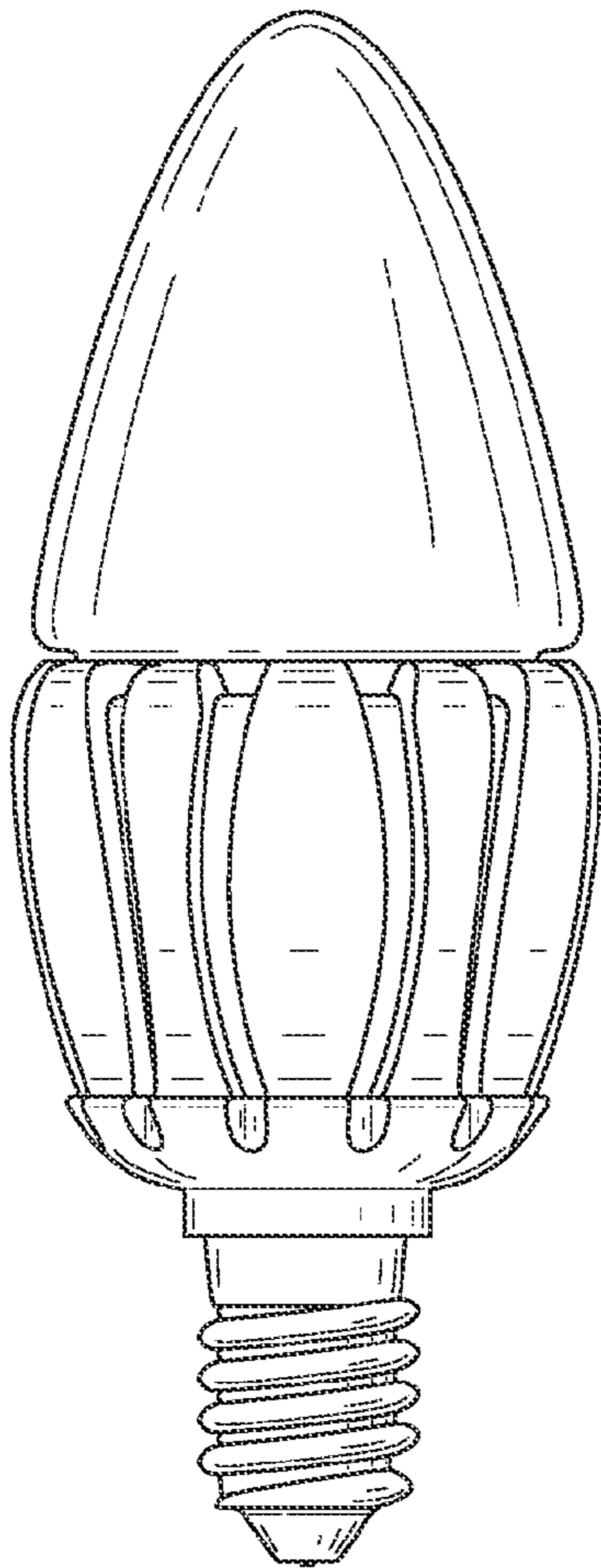


FIG. 2

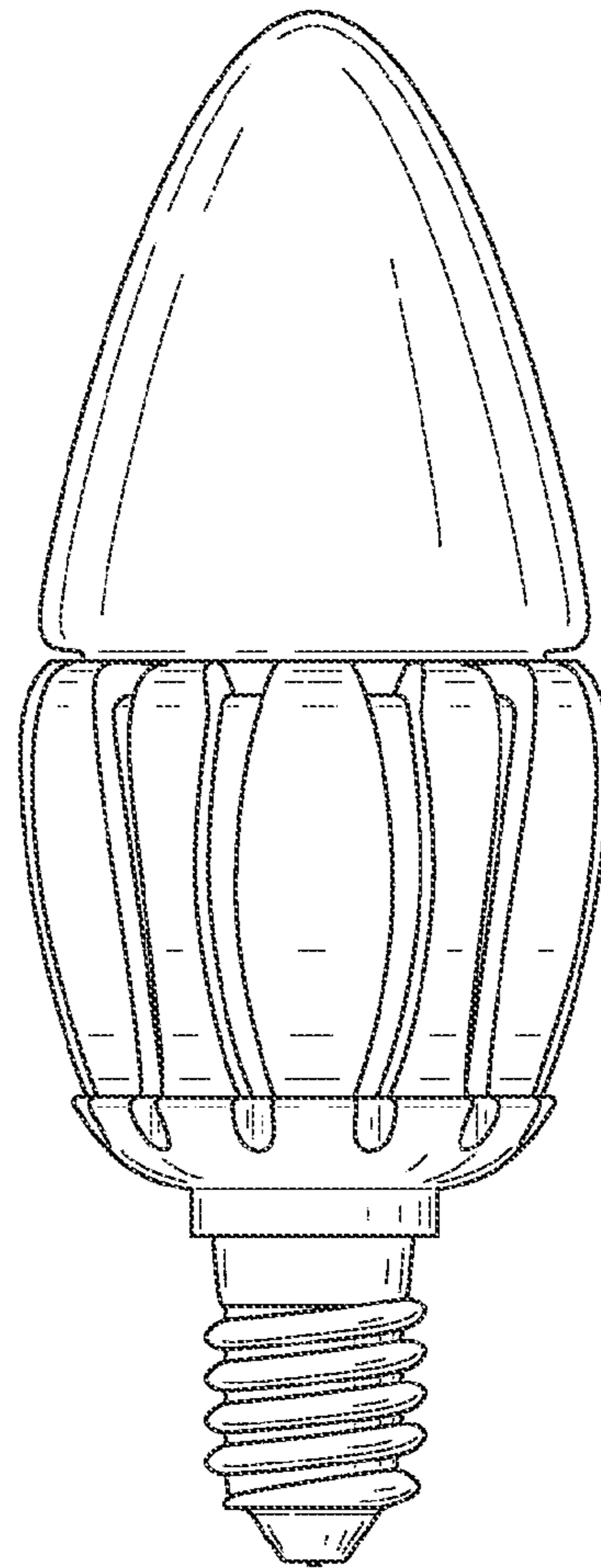


FIG. 3

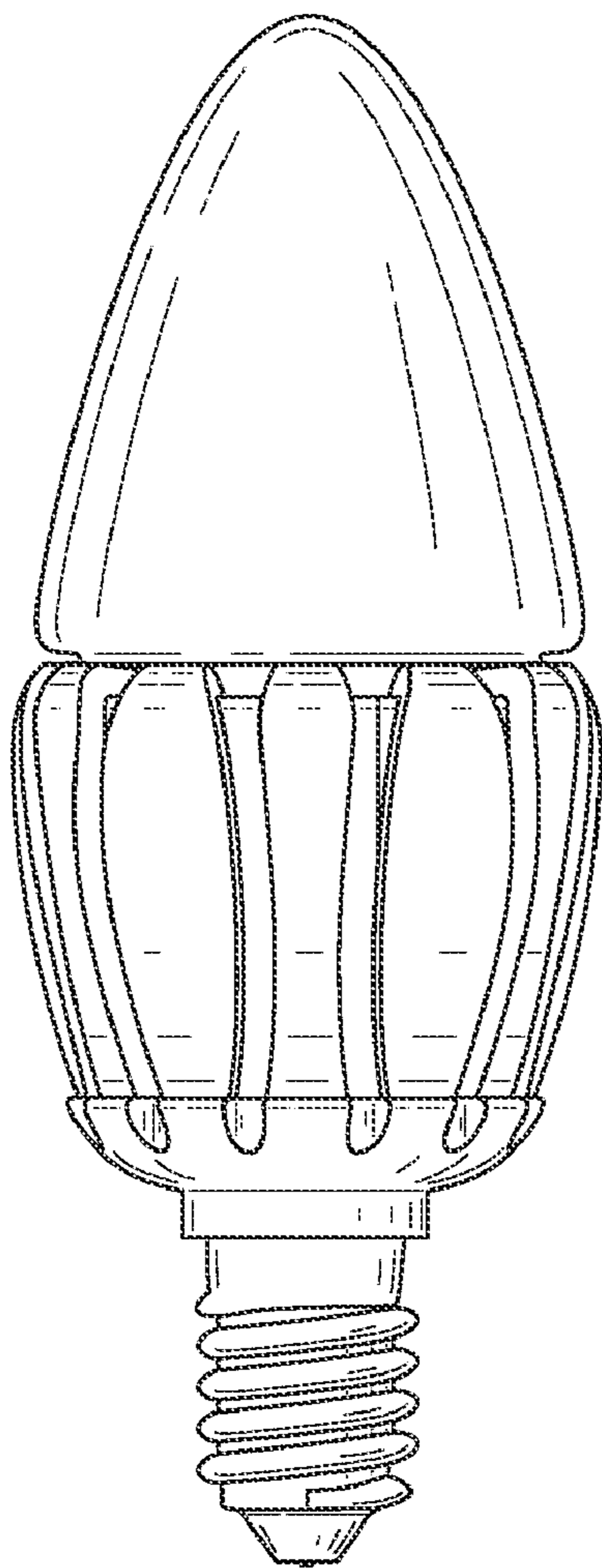


FIG. 4

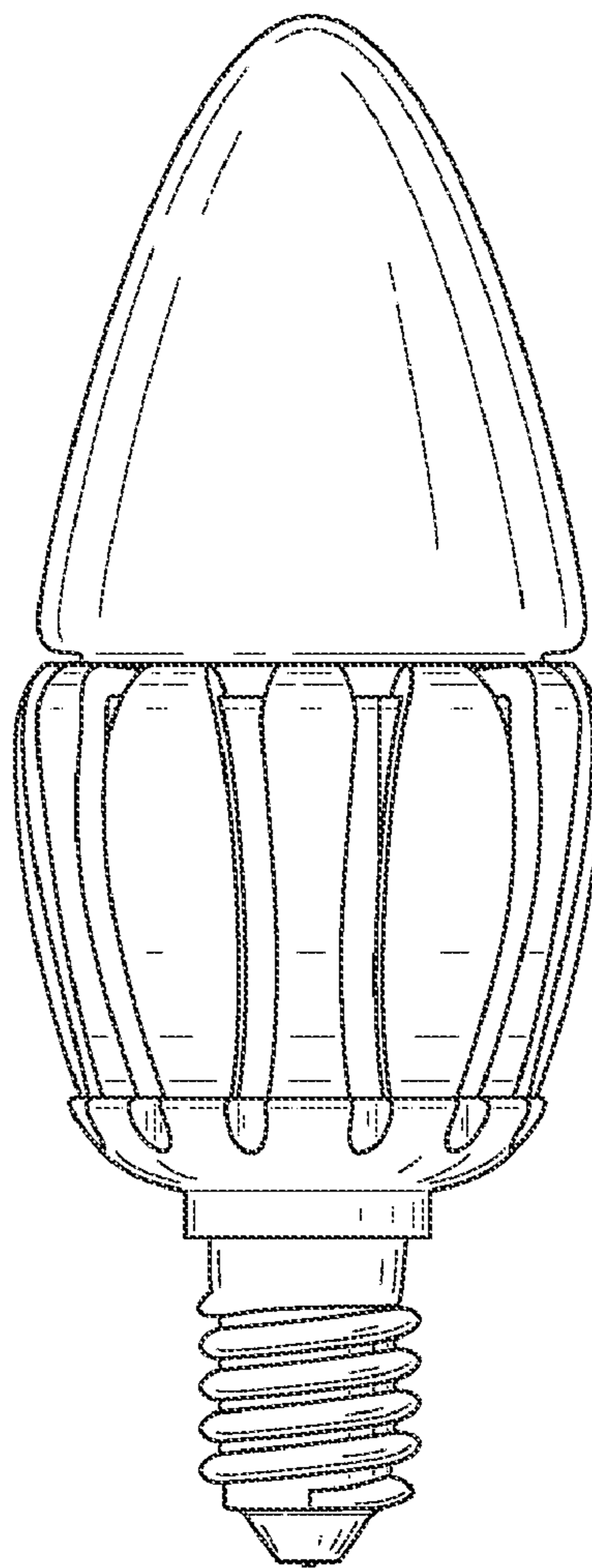


FIG. 5

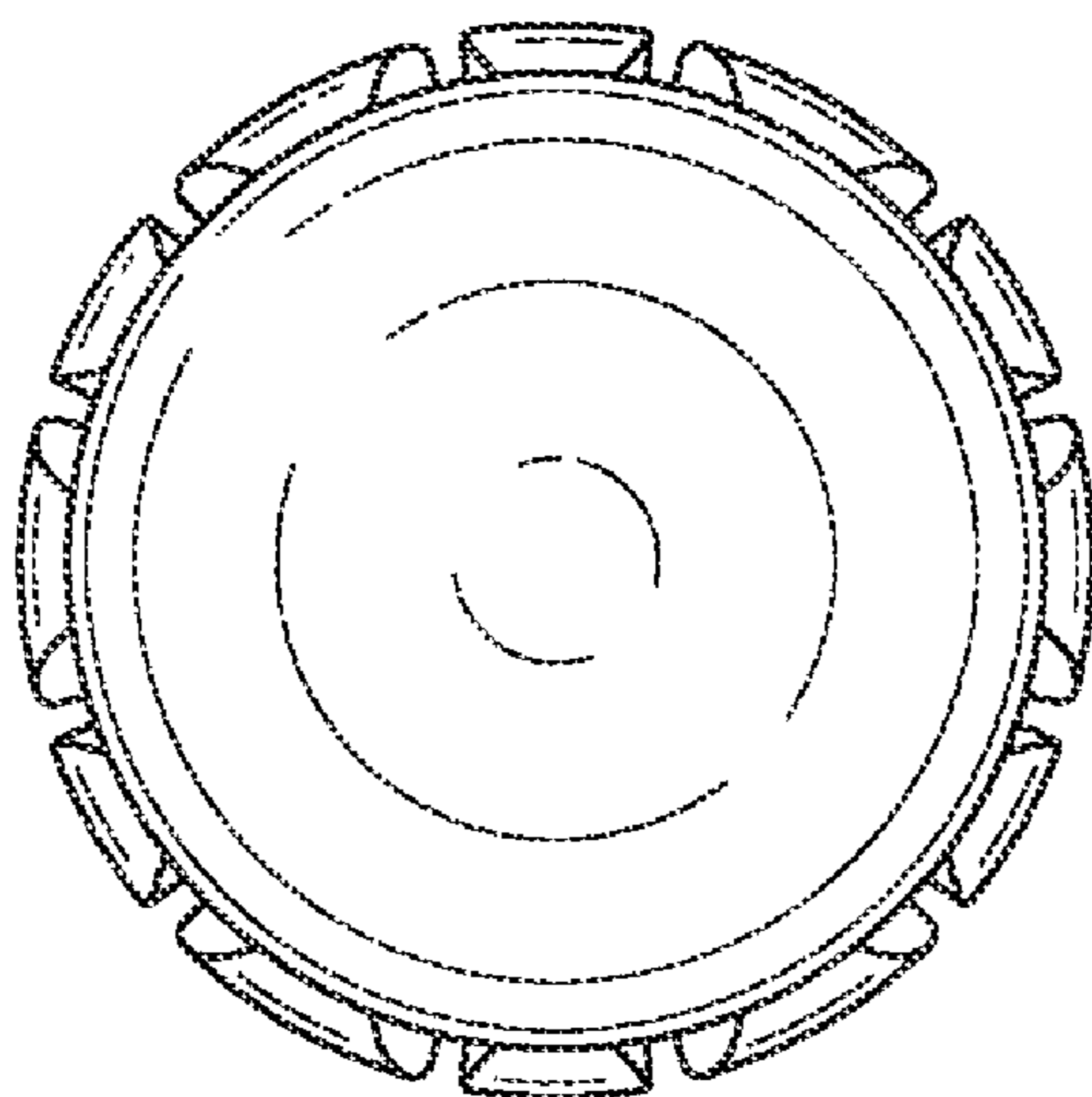


FIG. 6

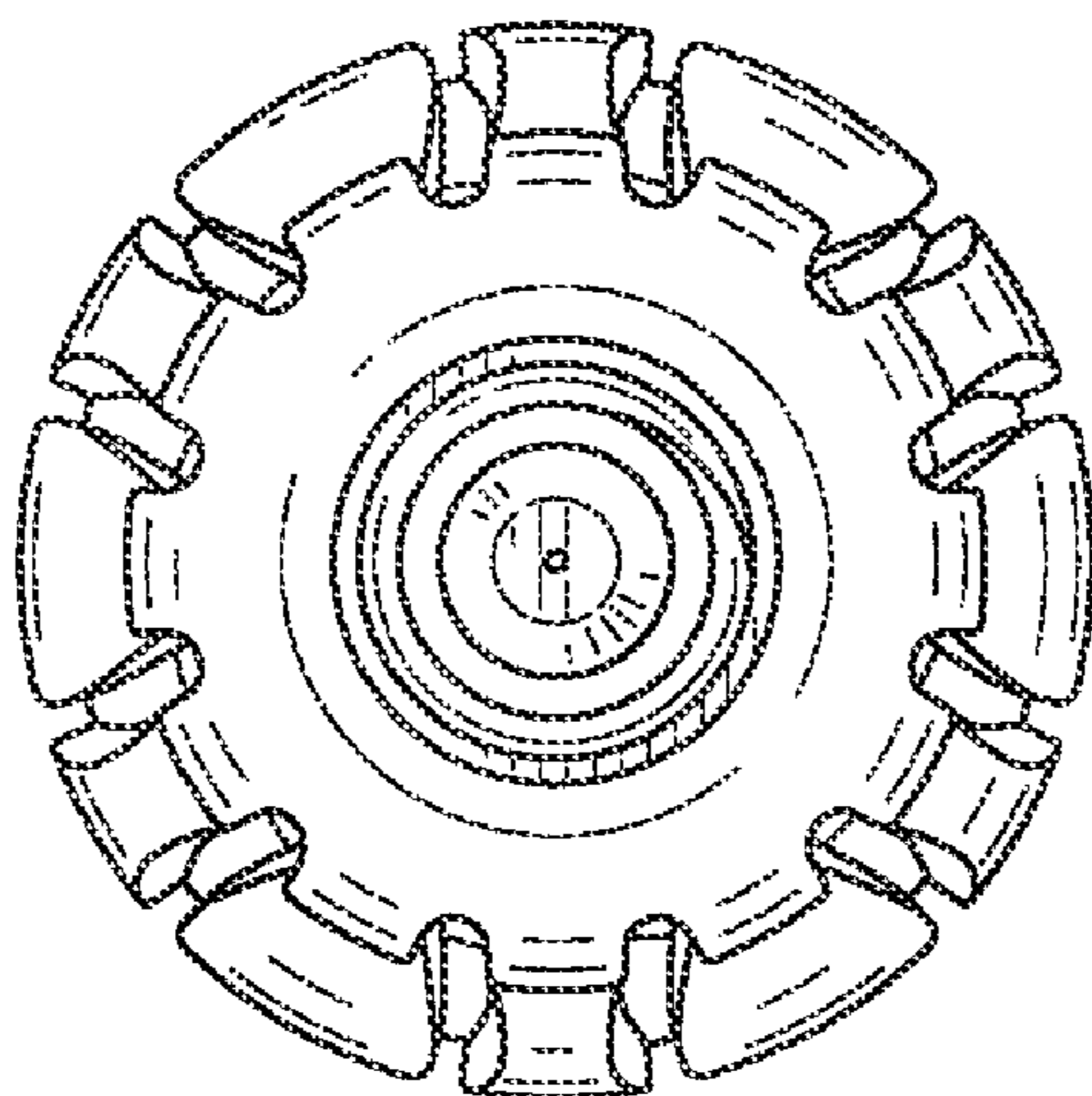


FIG. 7