



US00D634030S

(12) **United States Design Patent**
Bobel

(10) **Patent No.:** **US D634,030 S**
(45) **Date of Patent:** **** Mar. 8, 2011**

(54) **LED REFLECTOR LAMP**

D601,278 S * 9/2009 Takahashi D26/2
D616,120 S * 5/2010 Wada et al. D26/2
D617,918 S * 6/2010 Yamamoto et al. D26/2

(76) Inventor: **Andrzej Bobel**, Lake Forest, IL (US)

* cited by examiner

(**) Term: **14 Years**

Primary Examiner — Marcus A Jackson

(21) Appl. No.: **29/349,278**

(57) **CLAIM**

The ornamental design for LED reflector lamp, as shown.

(22) Filed: **Mar. 22, 2010**

DESCRIPTION

(51) **LOC (9) Cl.** **26-04**

(52) **U.S. Cl.** **D26/2**

(58) **Field of Classification Search** D26/1-4;
313/313, 315, 316, 317, 318, 493; 315/52,
315/53, 56, 57, 58

See application file for complete search history.

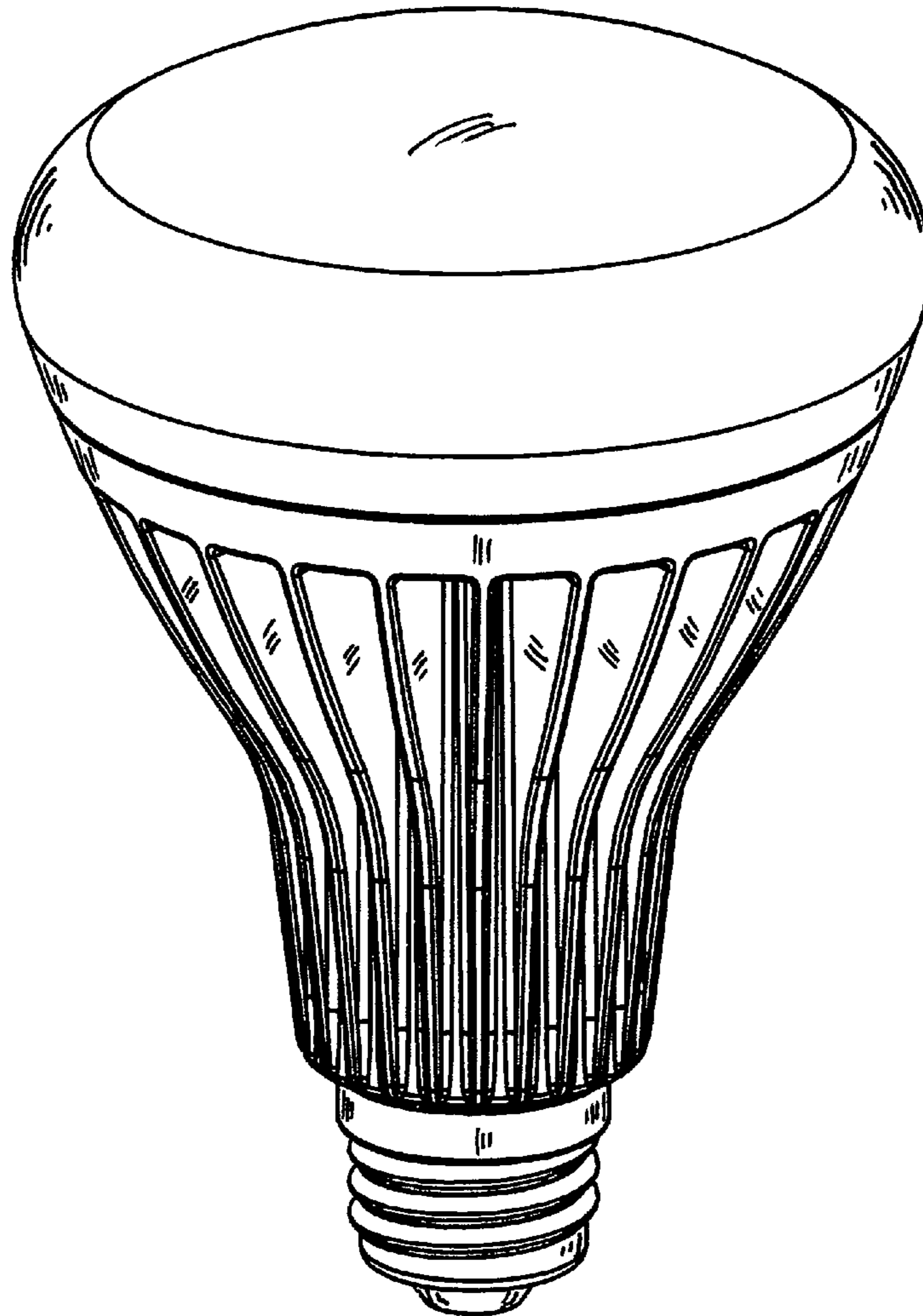
FIG. 1 is a front view of the LED reflector lamp;
FIG. 2 is a back view of the LED reflector lamp;
FIG. 3 is a top view thereof;
FIG. 4 is a bottom view thereof;
FIG. 5 is a cross-sectional view thereof;
FIG. 6 is a bottom isometric view thereof;
FIG. 7 is a top isometric view thereof;
FIG. 8 is a bottom exploded view thereof; and,
FIG. 9 is a top exploded view thereof.

(56) **References Cited**

U.S. PATENT DOCUMENTS

D581,556 S * 11/2008 To et al. D26/2
D600,367 S * 9/2009 Bertram et al. D26/2

1 Claim, 9 Drawing Sheets



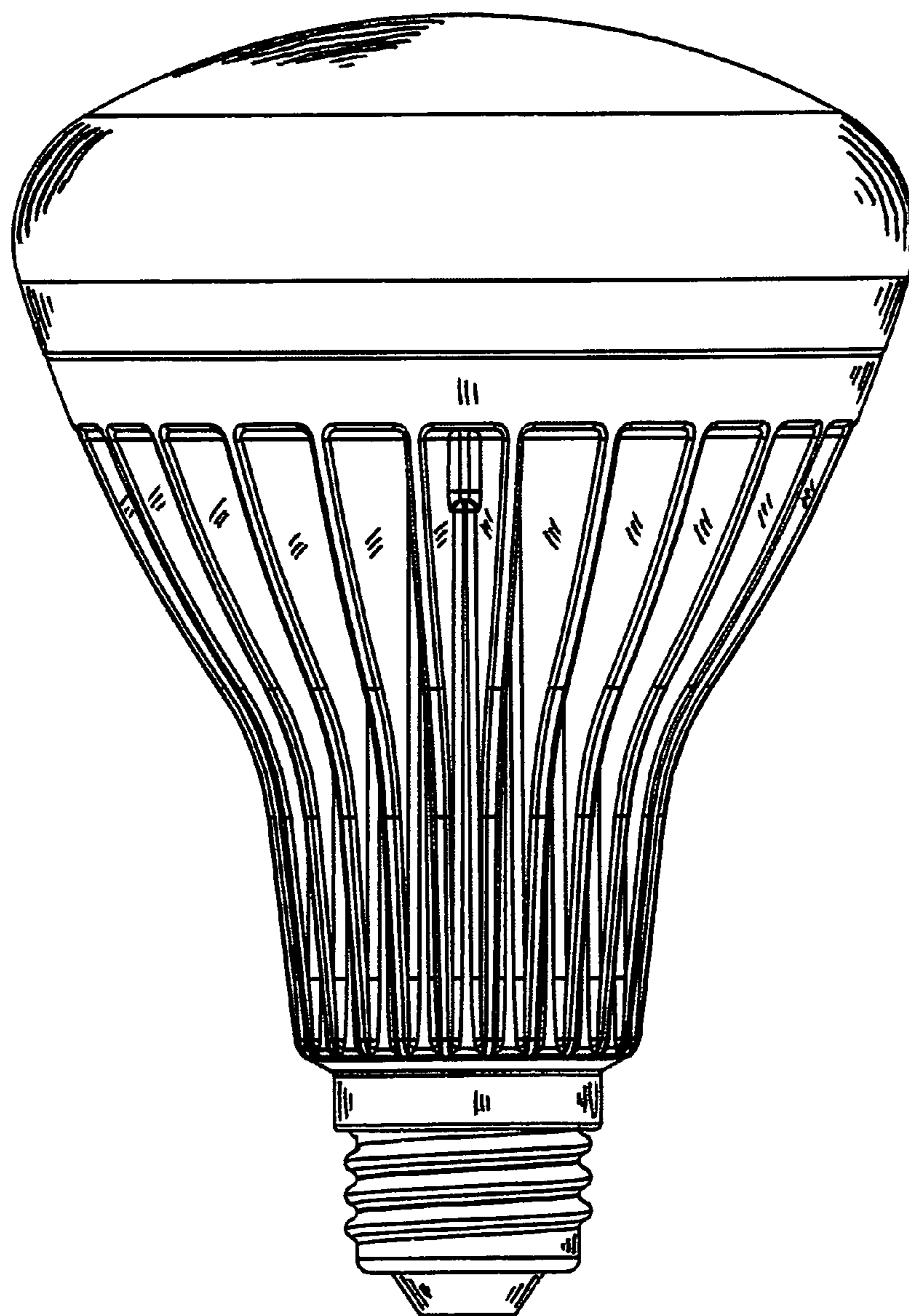


Fig. 1

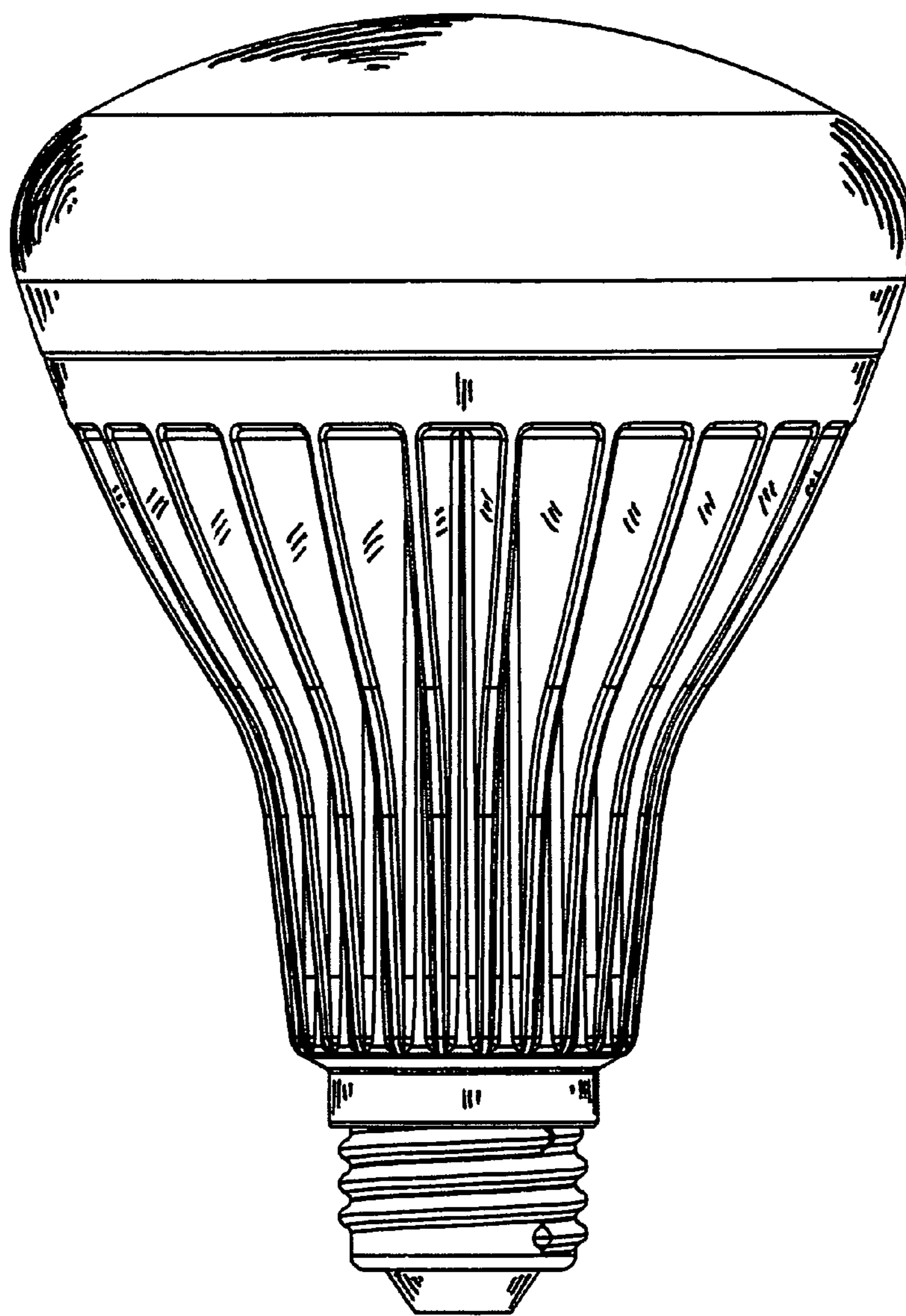


Fig. 2

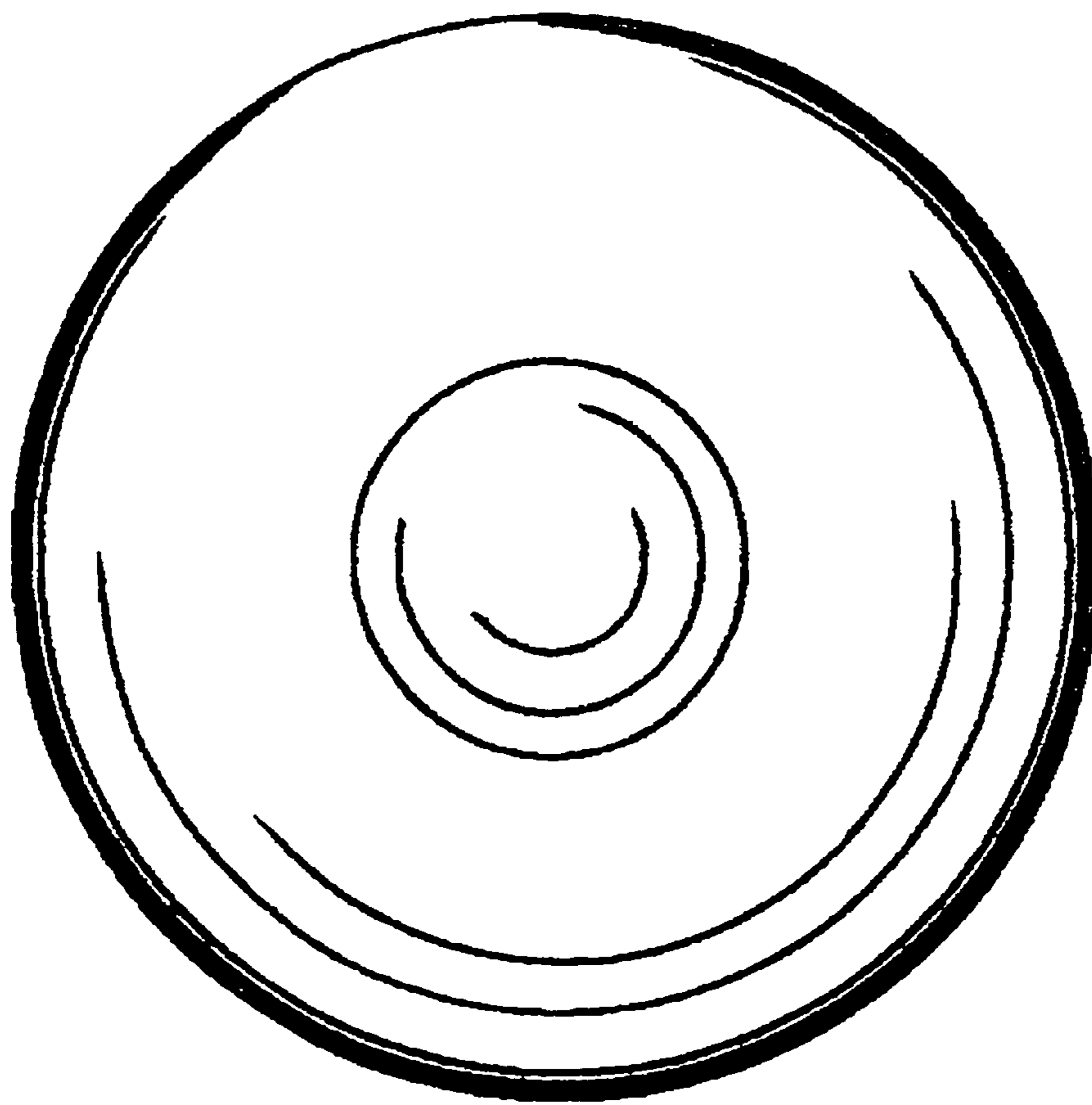


Fig. 3

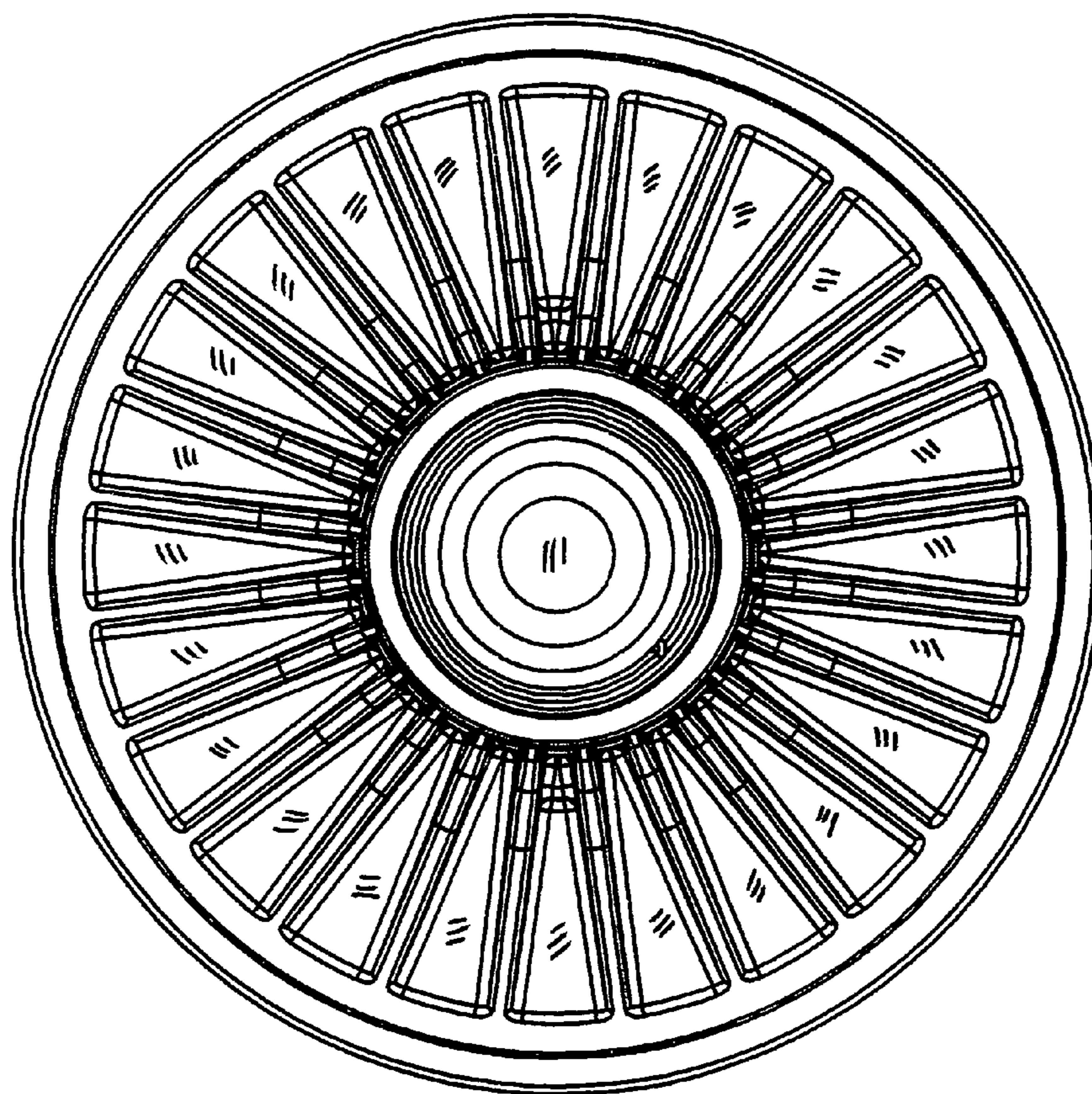


Fig. 4

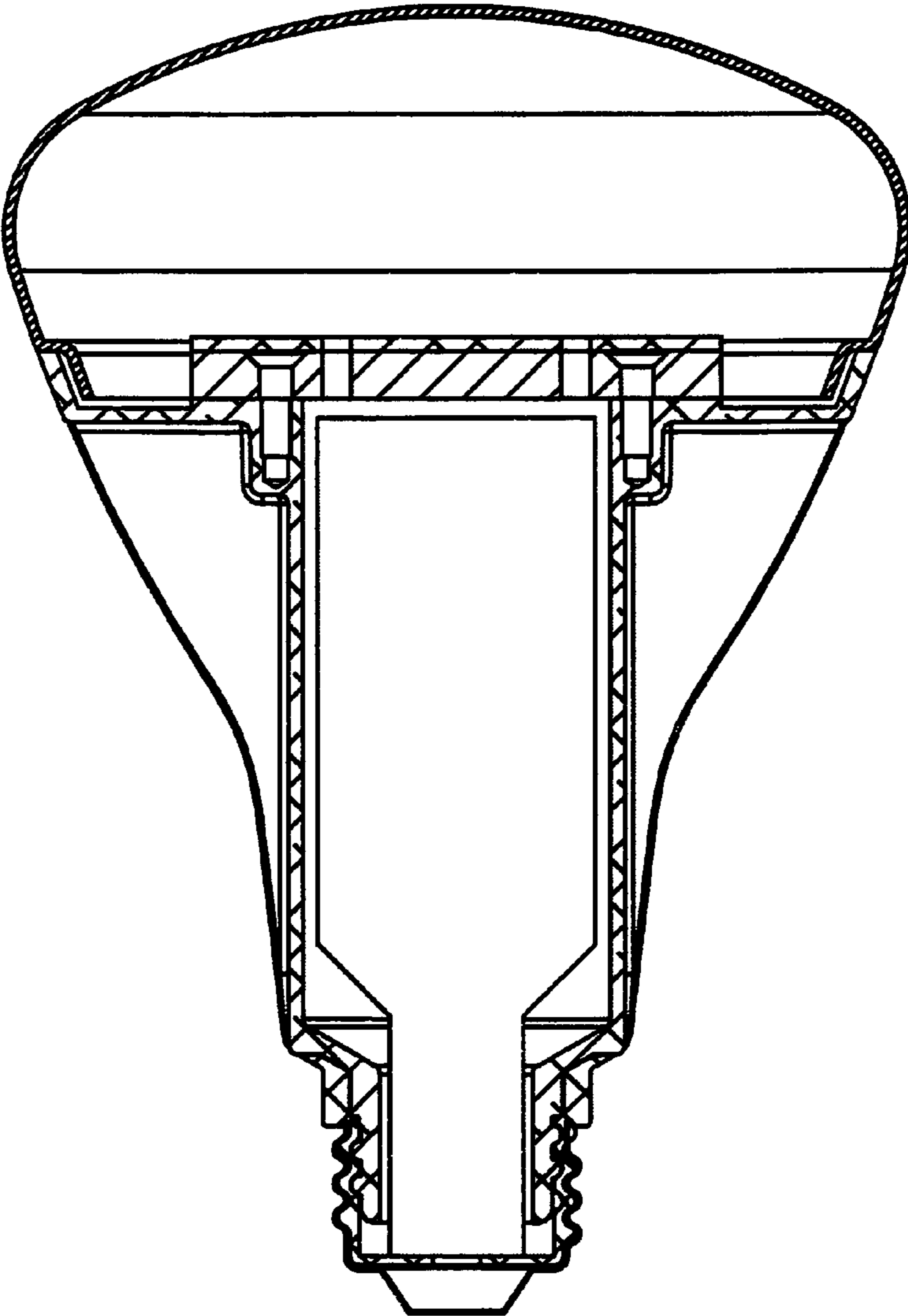


Fig. 5

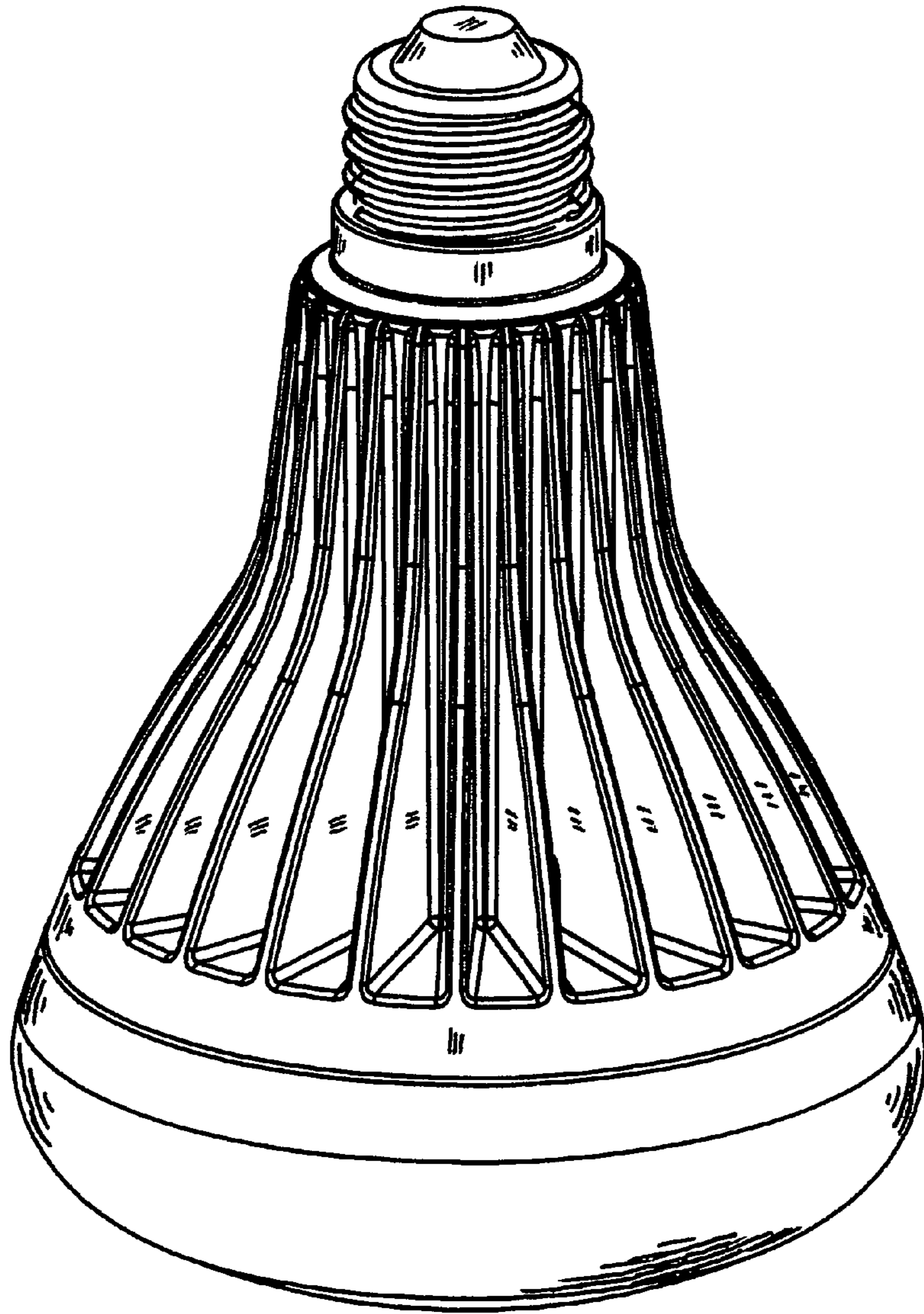


Fig. 6

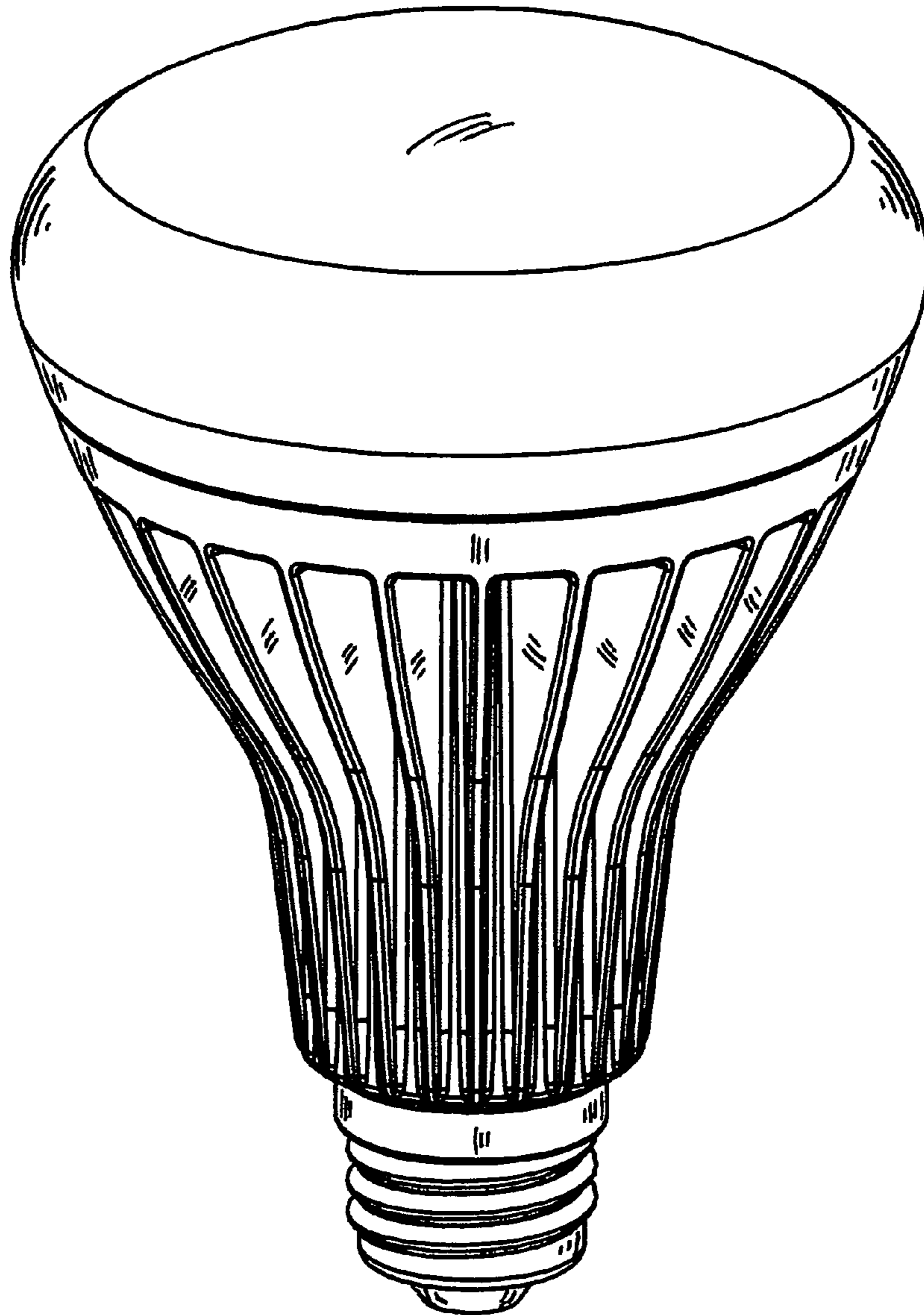


Fig. 7

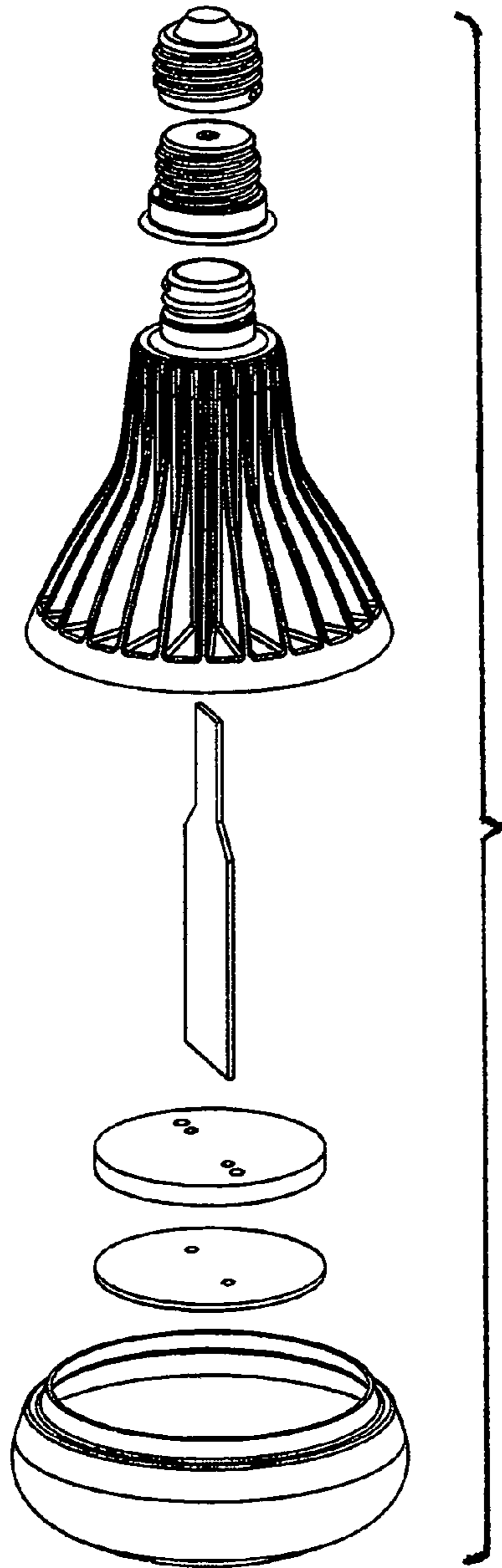


Fig. 8

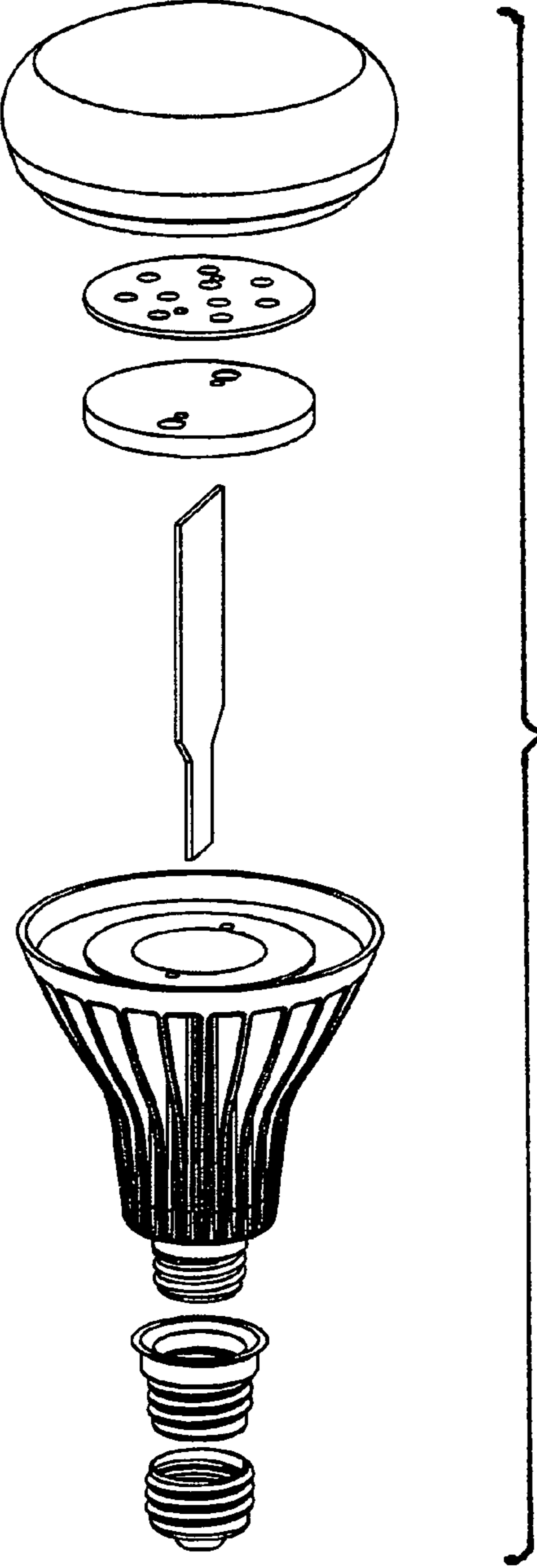


Fig. 9