

US00D634027S

(12) **United States Design Patent**
Hu

(10) **Patent No.:** **US D634,027 S**
(45) **Date of Patent:** **** Mar. 8, 2011**

(54) **GLASS PANEL FOR ENTRY SYSTEMS**

(75) Inventor: **Garry Hu**, Burnaby (CA)

(73) Assignee: **Masonite Corporation**, Tampa, FL (US)

(**) Term: **14 Years**

(21) Appl. No.: **29/353,215**

(22) Filed: **Jan. 5, 2010**

D380,839 S * 7/1997 Lint et al. D25/103
D493,003 S * 7/2004 Alexander D25/103
D533,949 S * 12/2006 Kaspari et al. D25/103
D535,759 S * 1/2007 Kaspari et al. D25/103

* cited by examiner

Primary Examiner—T. Chase Nelson

Assistant Examiner—Anhdao Doan

(74) *Attorney, Agent, or Firm*—Berenato & White, LLC

(57) **CLAIM**

The ornamental design for glass panel for entry systems, as shown and described.

DESCRIPTION

FIG. 1 is a front elevation of the present invention, the side opposite being a mirror image;

FIG. 2 is a front elevation of a first version of the present invention, the side opposite being a mirror image;

FIG. 3 is a front elevation of a second version of the present invention, the side opposite being a mirror image

FIG. 4 is a front elevation of a third version of the present invention, the side opposite being a mirror image; and,

FIG. 5 is a front elevation of a fourth version of the present invention, the side opposite being a mirror image.

Related U.S. Application Data

(62) Division of application No. 29/334,891, filed on Apr. 3, 2009, now Pat. No. Des. 607,583, which is a division of application No. 29/303,382, filed on Feb. 7, 2008, now Pat. No. Des. 590,514.

(51) **LOC (9) Cl.** **25-01**

(52) **U.S. Cl.** **D25/103**

(58) **Field of Classification Search** D25/103,
D25/104, 109–111, 113, 138, 149, 157–163;
D6/306, 470, 494; 428/13, 34, 426; 52/204.59,
52/171.3, 306

See application file for complete search history.

(56) **References Cited**

U.S. PATENT DOCUMENTS

D259,958 S * 7/1981 Shaffer D25/109

1 Claim, 5 Drawing Sheets

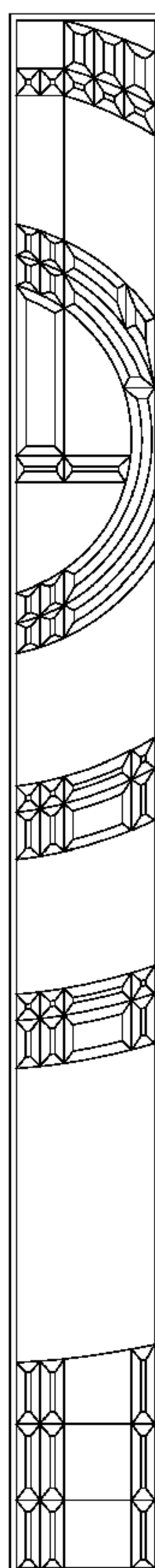


Fig. 1

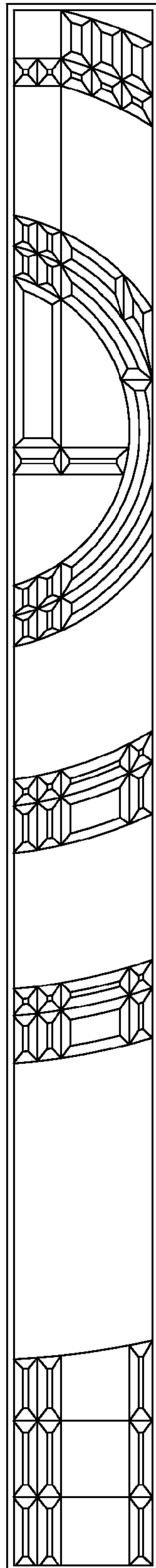


Fig. 2

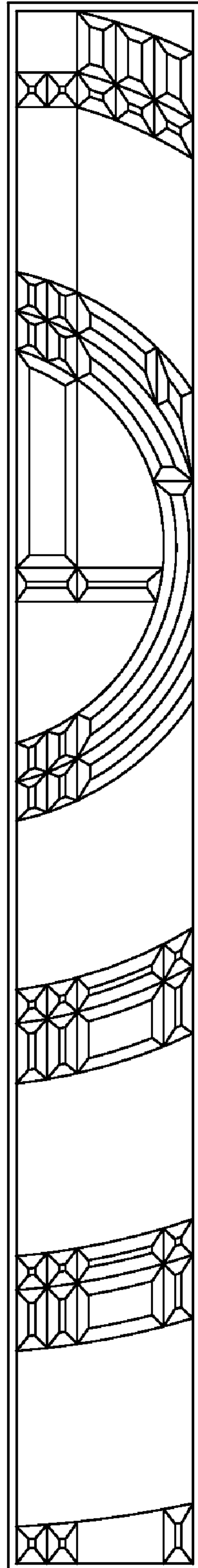


Fig. 3

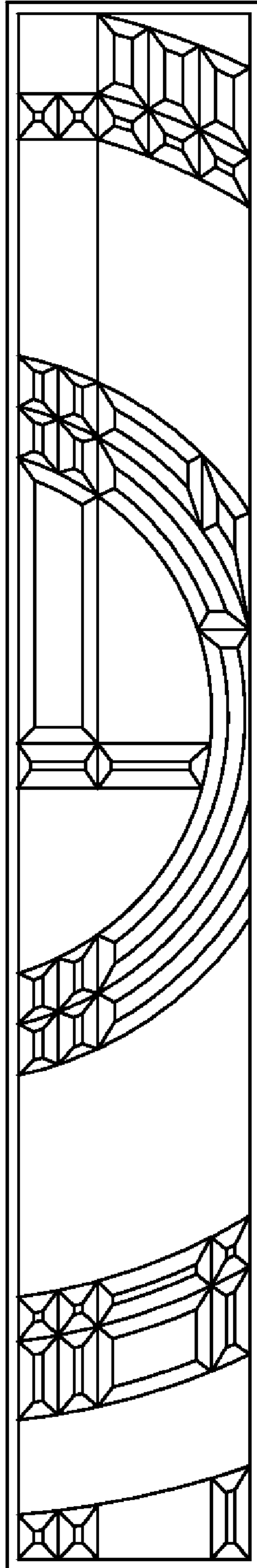


Fig. 4

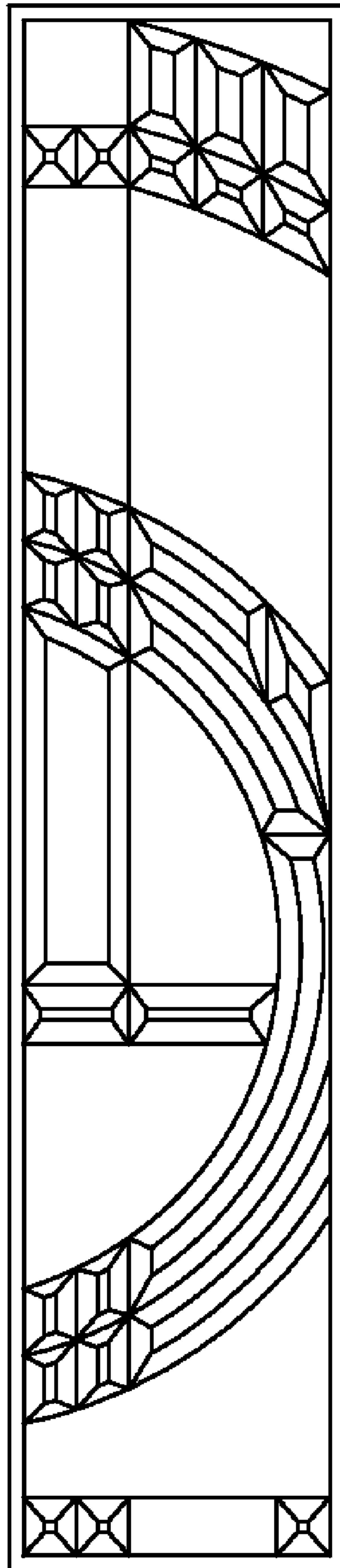


Fig. 5

