



US00D634025S

(12) **United States Design Patent**
Ritchie

(10) **Patent No.:** **US D634,025 S**

(45) **Date of Patent:** **** Mar. 8, 2011**

(54) **PORTABLE FENCE**

D552,751 S * 10/2007 Van Buskirk D25/38

(75) Inventor: **Thomas Stuart Ritchie**, Hamilton (NZ)

* cited by examiner

(73) Assignee: **Gallagher Group Limited**, Hamilton (NZ)

Primary Examiner—Doris Clark
(74) *Attorney, Agent, or Firm*—Knobbe Martens Olson & Bear LLP

(**) Term: **14 Years**

(57) **CLAIM**

(21) Appl. No.: **29/351,519**

The ornamental design for a portable fence, as shown and described.

(22) Filed: **Dec. 7, 2009**

(30) **Foreign Application Priority Data**

DESCRIPTION

Jun. 5, 2009 (NZ) 412364

FIG. 1 is a perspective view of a portable fence in a retracted position showing my new design.

(51) **LOC (9) Cl.** **25-02**

FIG. 2 is a front elevational view thereof.

(52) **U.S. Cl.** **D25/38**

FIG. 3 is a rear elevational view thereof.

(58) **Field of Classification Search** D25/38,
D25/45; 256/25, 34, 40
See application file for complete search history.

FIG. 4 is a right side elevational view thereof.

FIG. 5 is a left side elevational view thereof.

FIG. 6 is a top plan view thereof.

FIG. 7 is a bottom plan view thereof; and,

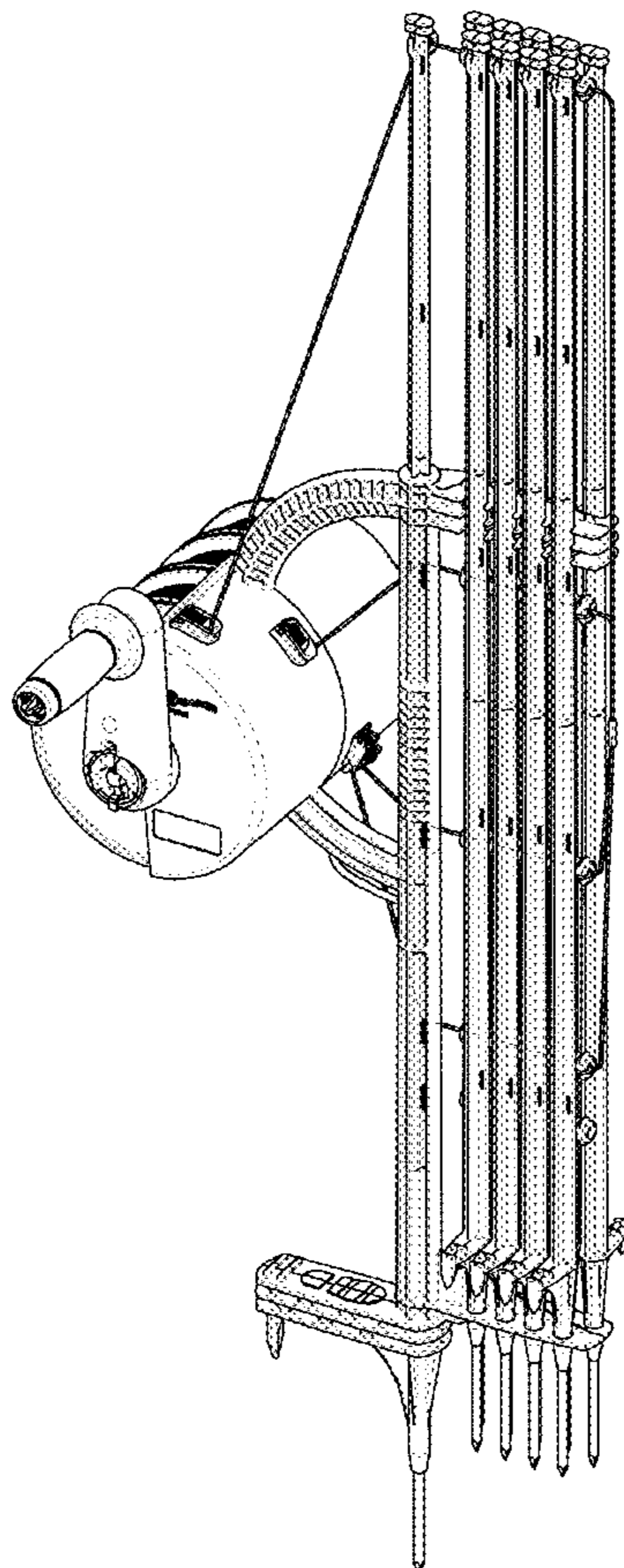
FIG. 8 is a perspective view thereof, showing the portable fence in one deployed position.

(56) **References Cited**

U.S. PATENT DOCUMENTS

D410,289 S * 5/1999 Howard et al. D25/38
6,092,792 A * 7/2000 Camara 256/24
7,093,824 B2 * 8/2006 Pulliam 256/40

1 Claim, 8 Drawing Sheets



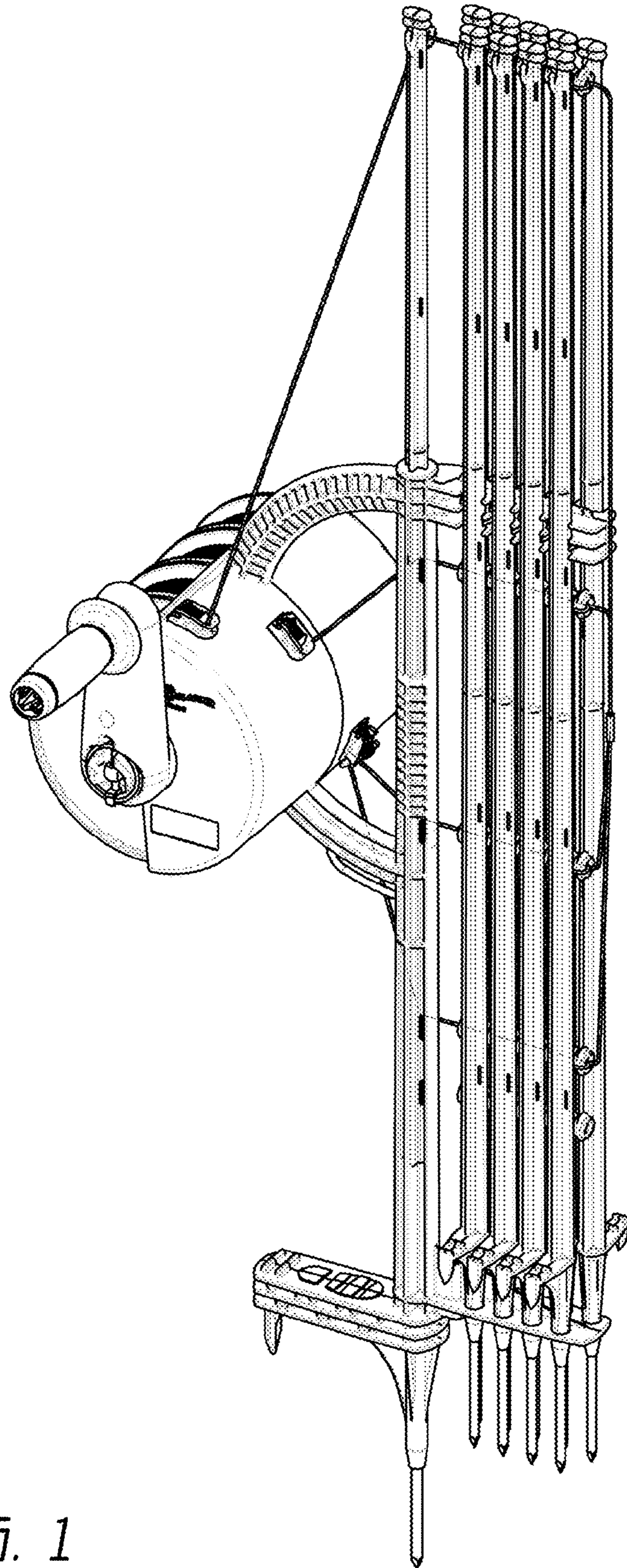


FIG. 1

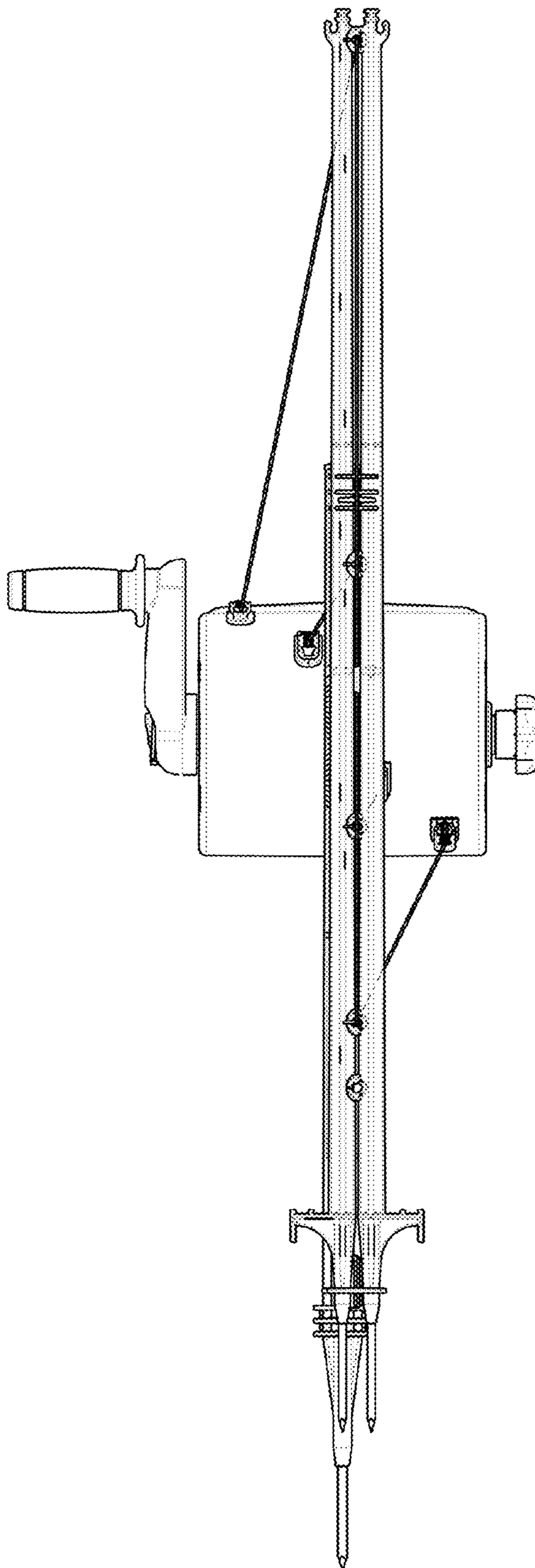


FIG. 2

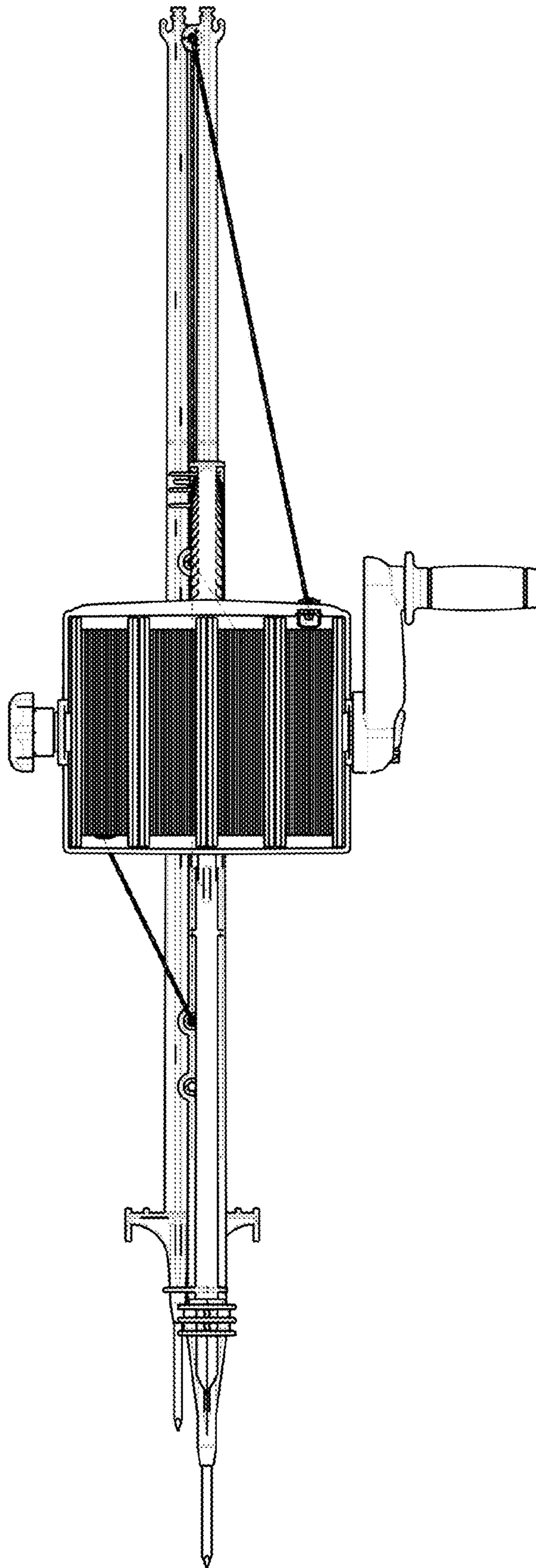


FIG. 3

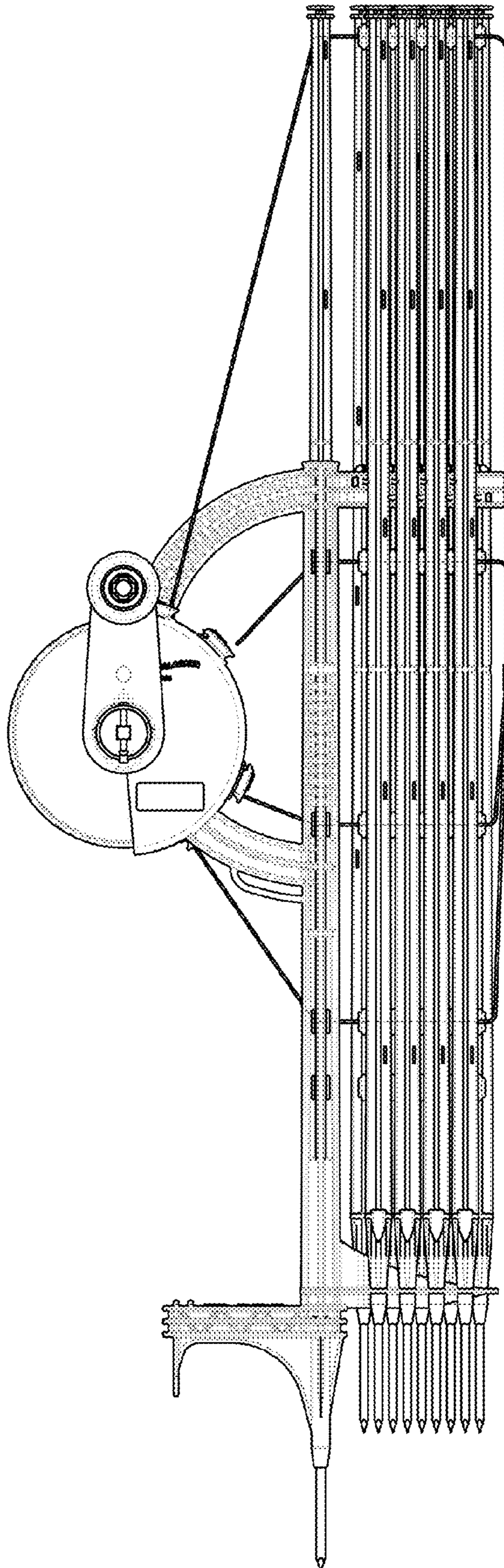


FIG. 4

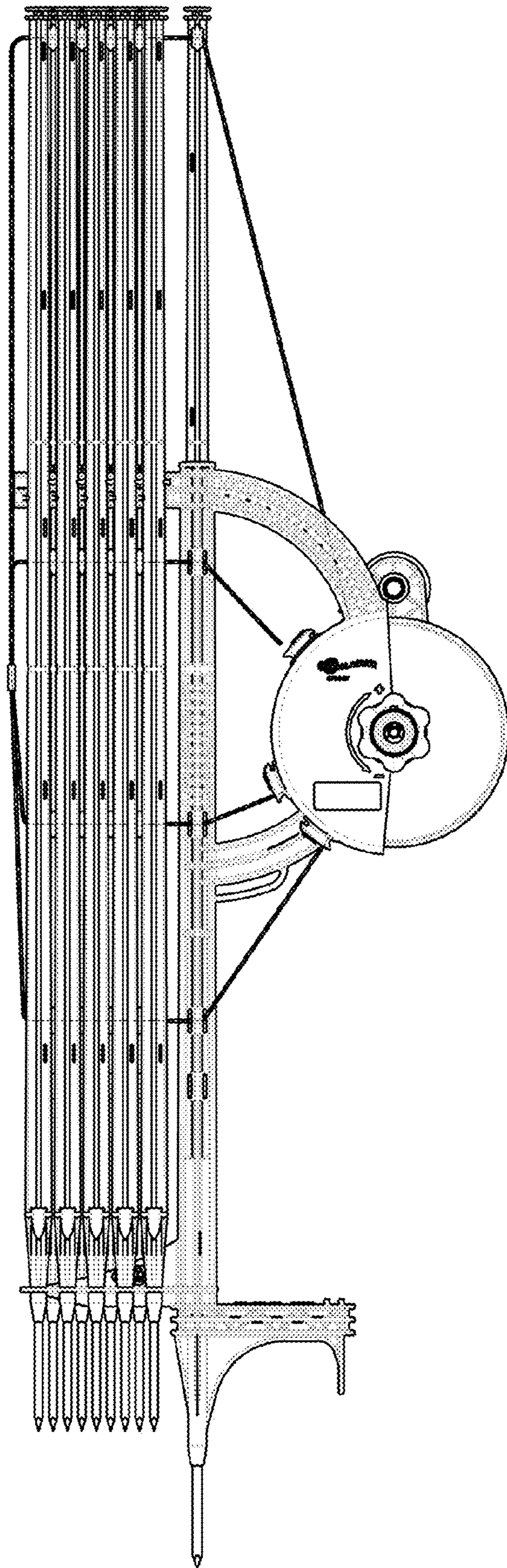


FIG. 5

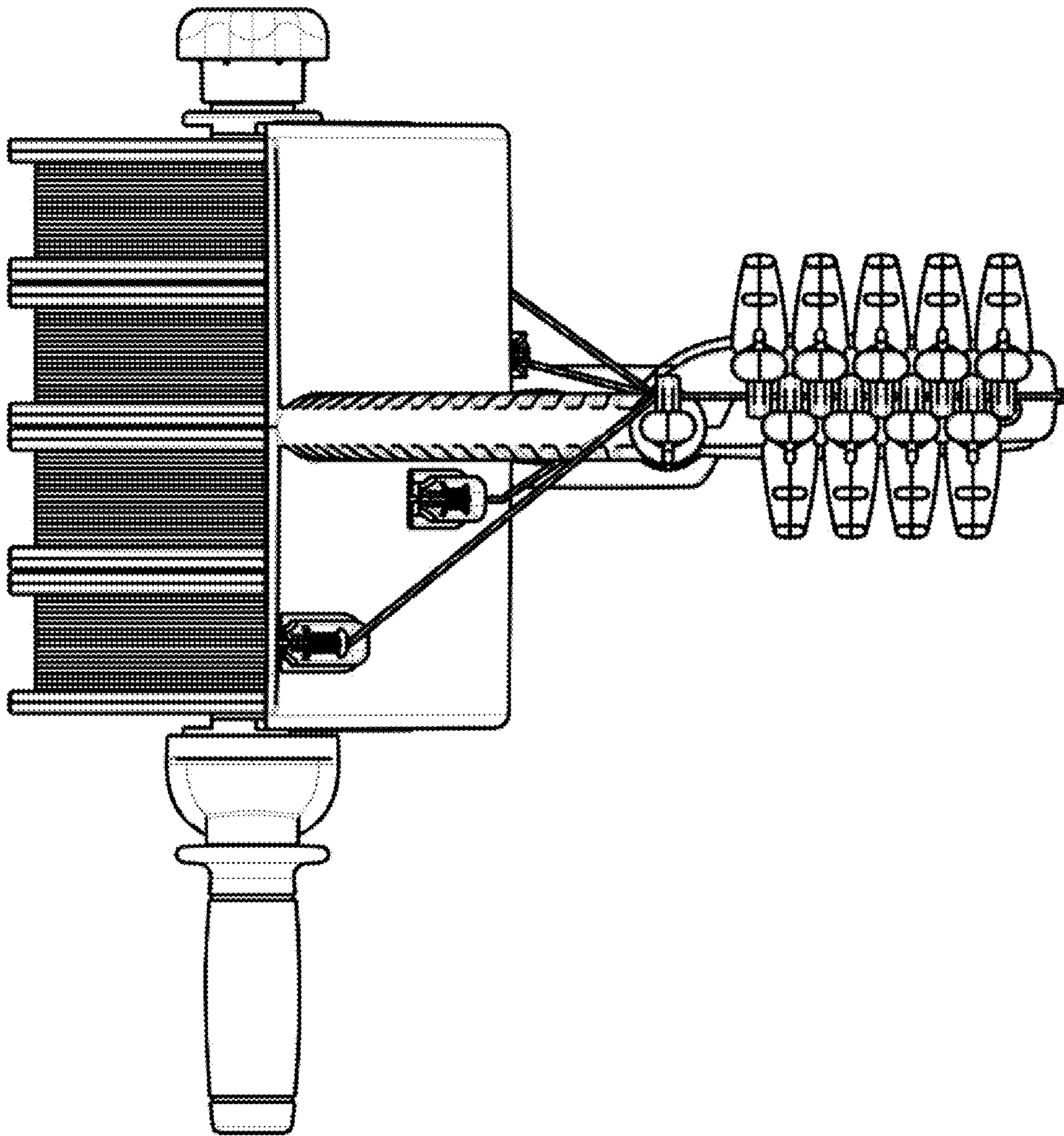


FIG. 6

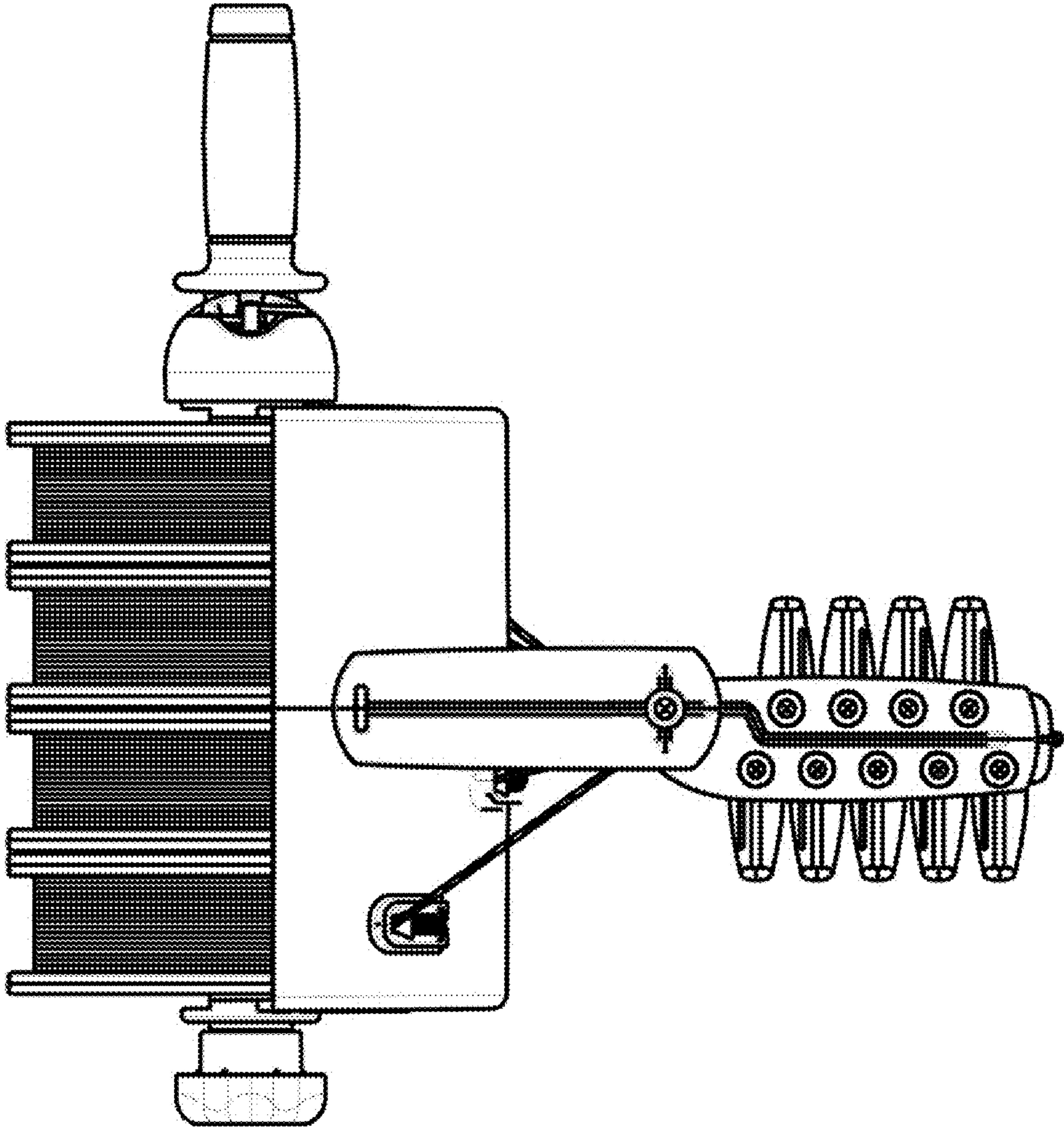


FIG. 7

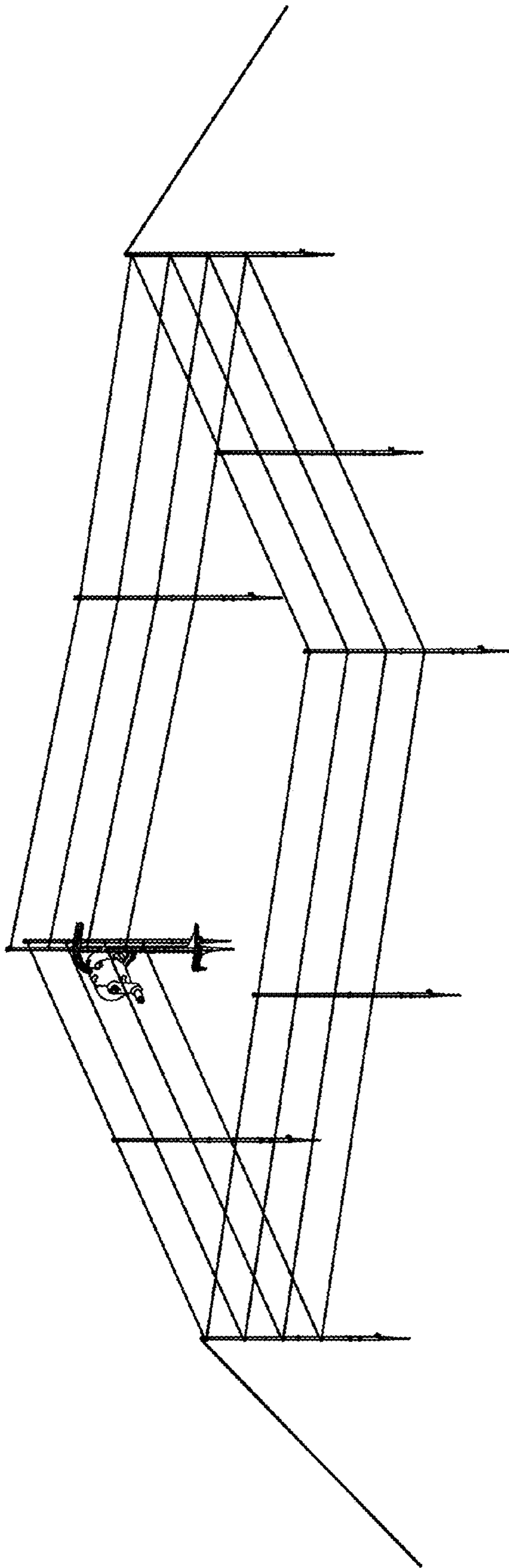


FIG. 8