



US00D634019S

(12) **United States Design Patent**
Larsen et al.

(10) **Patent No.:** **US D634,019 S**
(45) **Date of Patent:** **** Mar. 8, 2011**

(54) **SPA SHELL**
(75) Inventors: **Christopher Carl Larsen**, Vista, CA
(US); **Sage Nathan Baker**, Cardiff, CA
(US)
(73) Assignee: **Watkins Manufacturing Corporation**,
Vista, CA (US)
(**) Term: **14 Years**
(21) Appl. No.: **29/354,265**
(22) Filed: **Jan. 21, 2010**
(51) **LOC (9) Cl.** **24-04**
(52) **U.S. Cl.** **D24/204**
(58) **Field of Classification Search** D24/204,
D24/201, 205; D23/277, 278, 276, 280.1–280.3;
601/154–158; 4/541.1–541.6, 547, 578.1,
4/579
See application file for complete search history.

D463,569 S 9/2002 Bower
D465,576 S 11/2002 Larsen
D496,107 S 9/2004 Larsen
D513,325 S * 12/2005 Loyd D24/204
D514,704 S * 2/2006 Loyd D24/204
D517,697 S 3/2006 Larsen
D521,154 S * 5/2006 Loyd D24/204
D522,662 S * 6/2006 Loyd D24/204
D527,828 S 9/2006 Larsen
D528,663 S * 9/2006 Loyd D24/204
D531,731 S 11/2006 Larsen
D542,416 S * 5/2007 Larsen D24/204
D542,925 S 5/2007 Larsen
D543,282 S 5/2007 Larsen
D543,283 S 5/2007 Larsen
D550,371 S 9/2007 Larsen
D551,357 S * 9/2007 Loyd D24/204
D552,746 S * 10/2007 Loyd D24/204
D565,190 S * 3/2008 Lenci D24/204

(Continued)

Primary Examiner — David G Muller
(74) *Attorney, Agent, or Firm* — Nirav D. Parikh; Lora J.
Graentzdoerffer; Edgar A. Zarins

(56) **References Cited**
U.S. PATENT DOCUMENTS

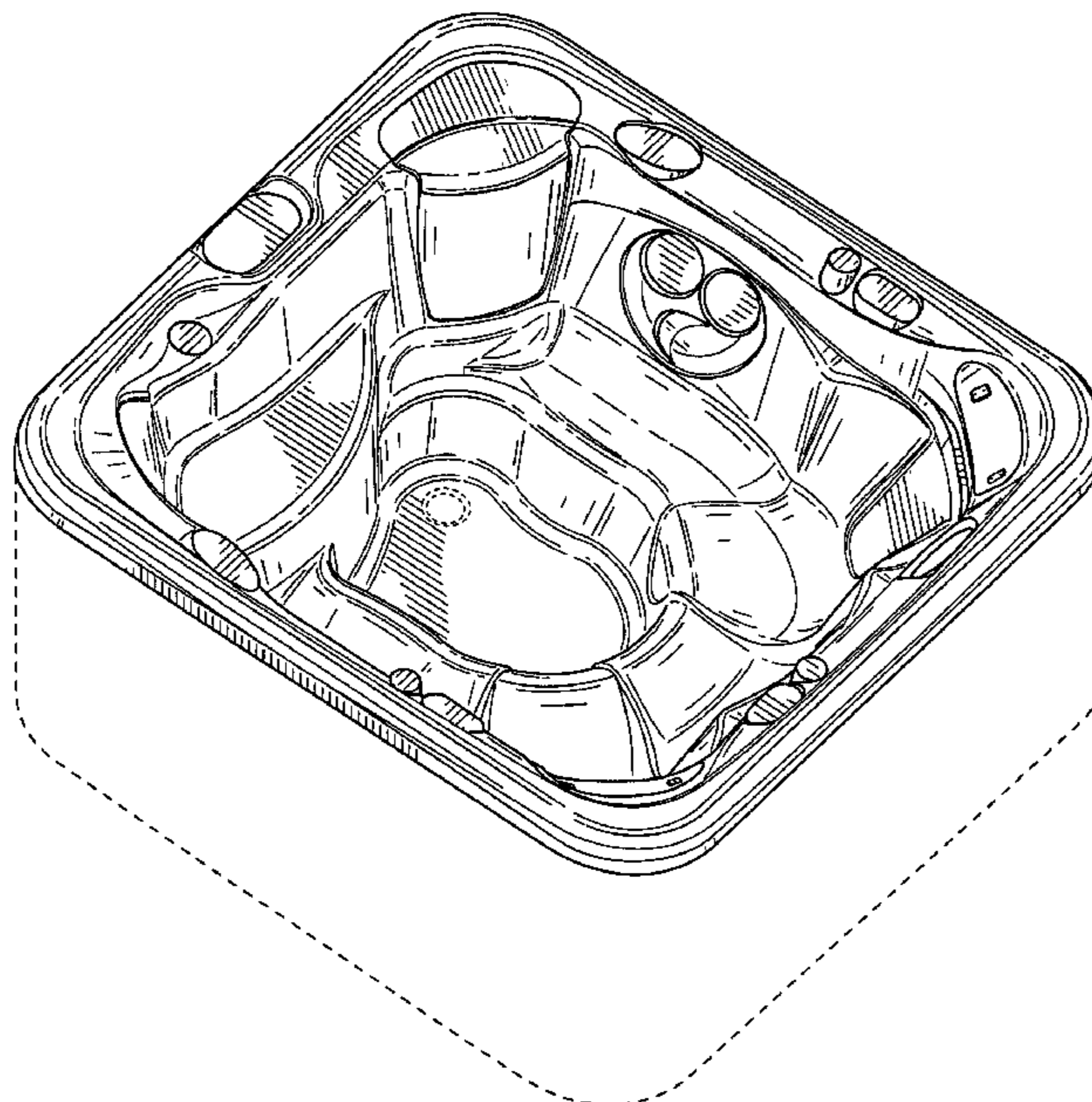
- D288,125 S 2/1987 Watkins
- D367,708 S 3/1996 Lawing et al.
- D368,530 S 4/1996 Lawing et al.
- D387,869 S 12/1997 Larsen
- D387,870 S 12/1997 Larsen
- D405,181 S 2/1999 Larsen
- D405,182 S 2/1999 Larsen
- D405,185 S 2/1999 Larsen
- D405,186 S 2/1999 Larsen
- D431,297 S 9/2000 Larsen et al.
- D436,178 S 1/2001 Larsen et al.
- D445,904 S 7/2001 Larsen
- D446,309 S 8/2001 Bower
- D446,310 S 8/2001 Bower
- D446,862 S 8/2001 Larsen et al.
- D463,028 S 9/2002 Bower

(57) **CLAIM**
The ornamental design for a spa shell, as shown and described.

DESCRIPTION

FIG. 1 is a perspective view of a spa shell showing our design;
FIG. 2 is a top plan view thereof;
FIG. 3 is a cross-sectional view taken along 3—3 of FIG. 2;
FIG. 4 is a cross-sectional view taken along 4—4 of FIG. 2;
FIG. 5 is a cross-sectional view taken along 5—5 of FIG. 2;
and,
FIG. 6 is a cross-sectional view taken along 6—6 of FIG. 2.
The broken lines in the drawings represent unclaimed portions of the spa shell and form no part thereof.

1 Claim, 4 Drawing Sheets



US D634,019 S

Page 2

U.S. PATENT DOCUMENTS

D573,261 S *	7/2008	Tatum	D24/204	D601,263 S	9/2009	Larsen	
D589,624 S	3/2009	Larsen		D616,104 S *	5/2010	Larsen et al.	D24/204
D590,951 S	4/2009	Larsen		D616,105 S *	5/2010	Larsen et al.	D24/204
D600,816 S	9/2009	Larsen		D616,106 S *	5/2010	Larsen et al.	D24/204

* cited by examiner

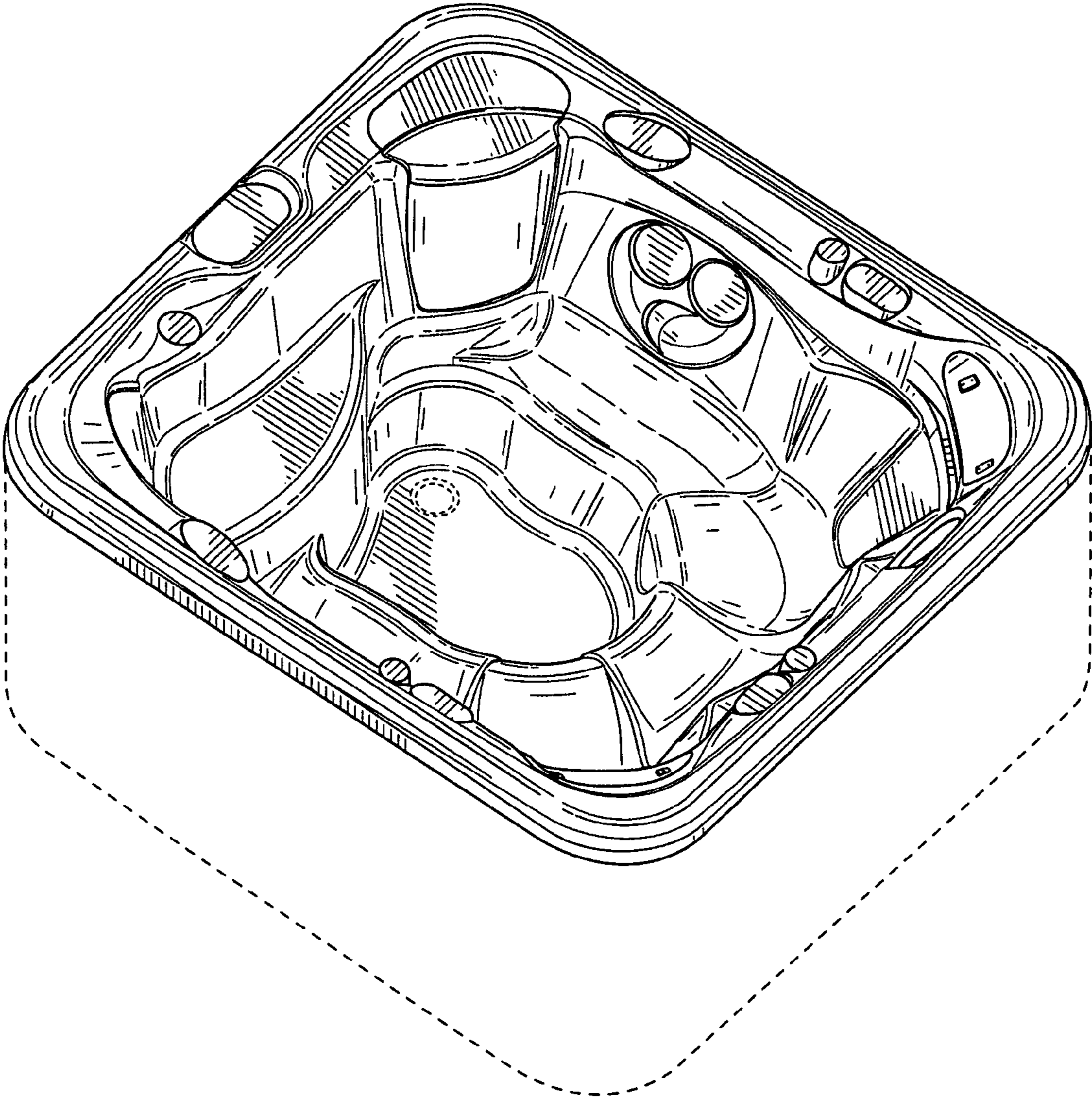


FIG. 1

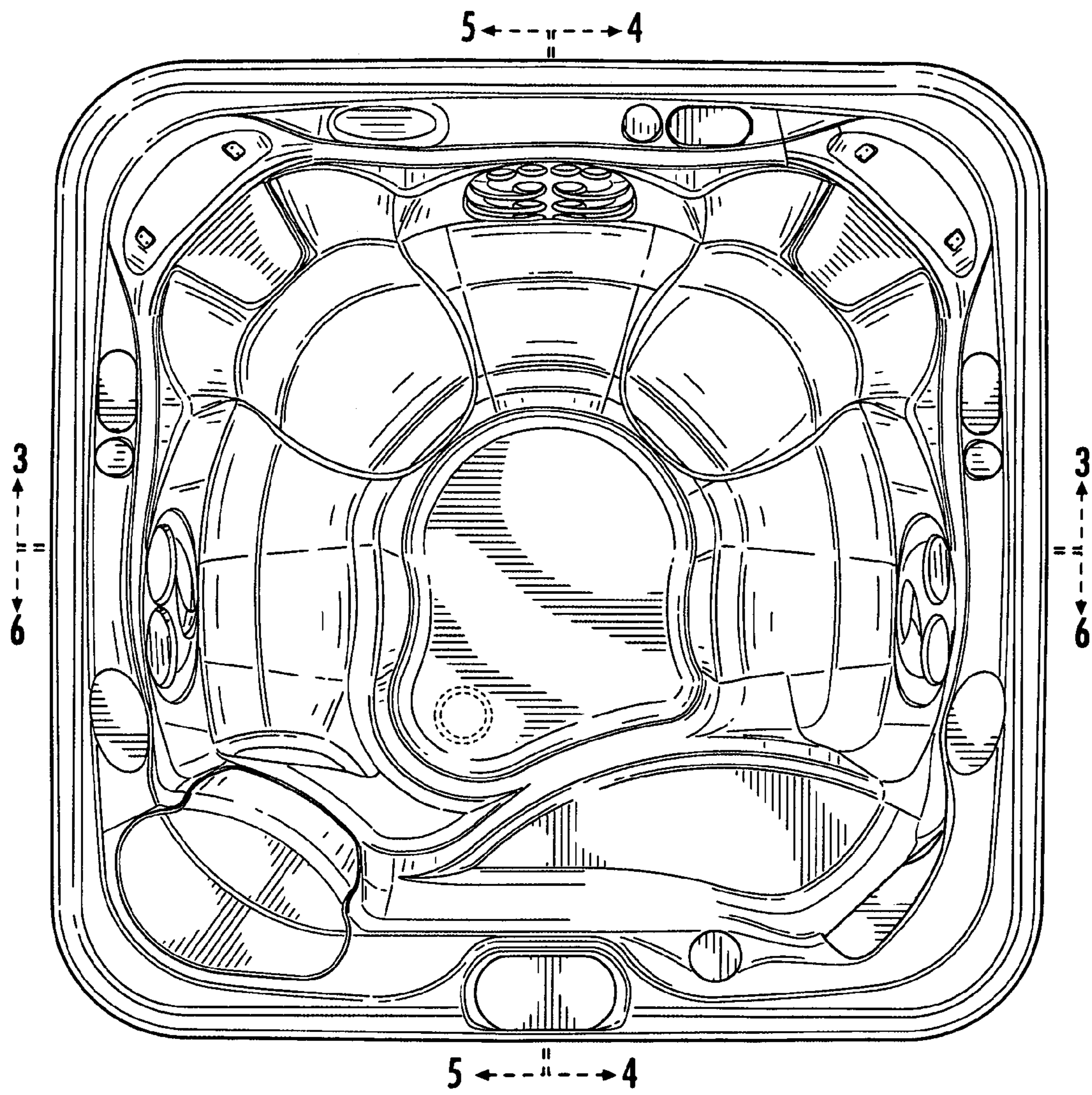


FIG. 2

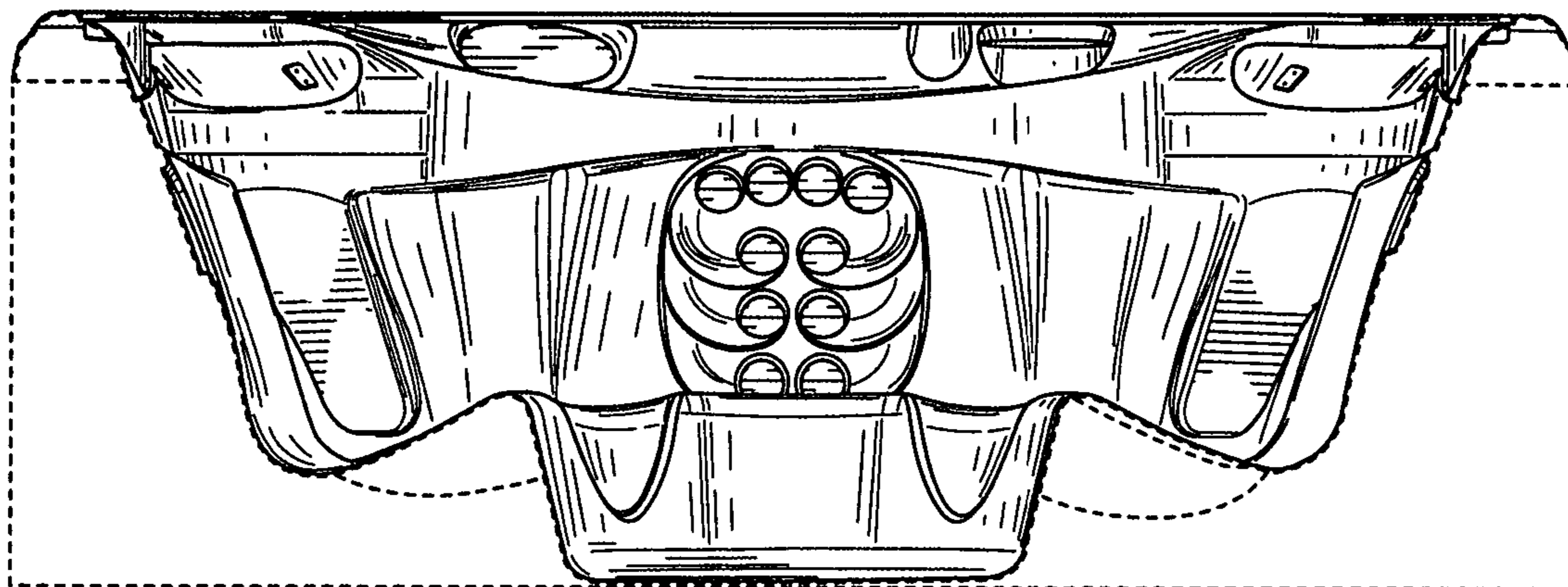


FIG. 3

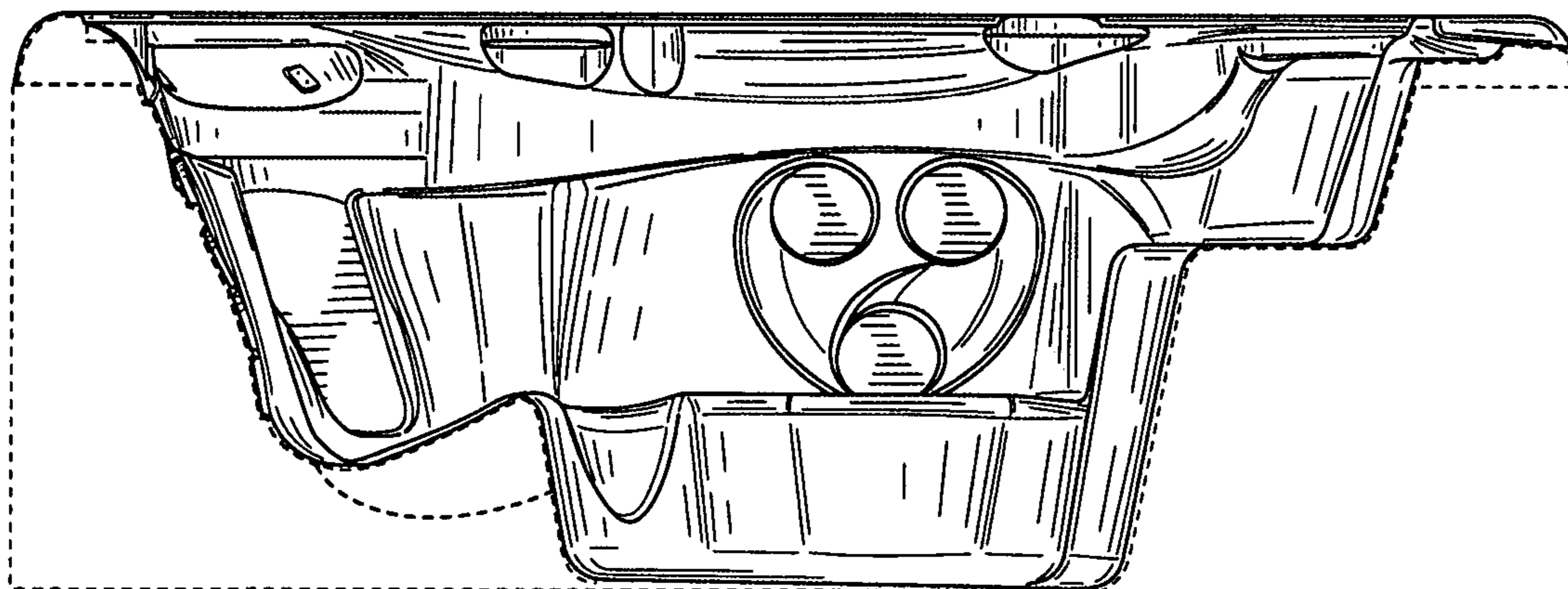


FIG. 4

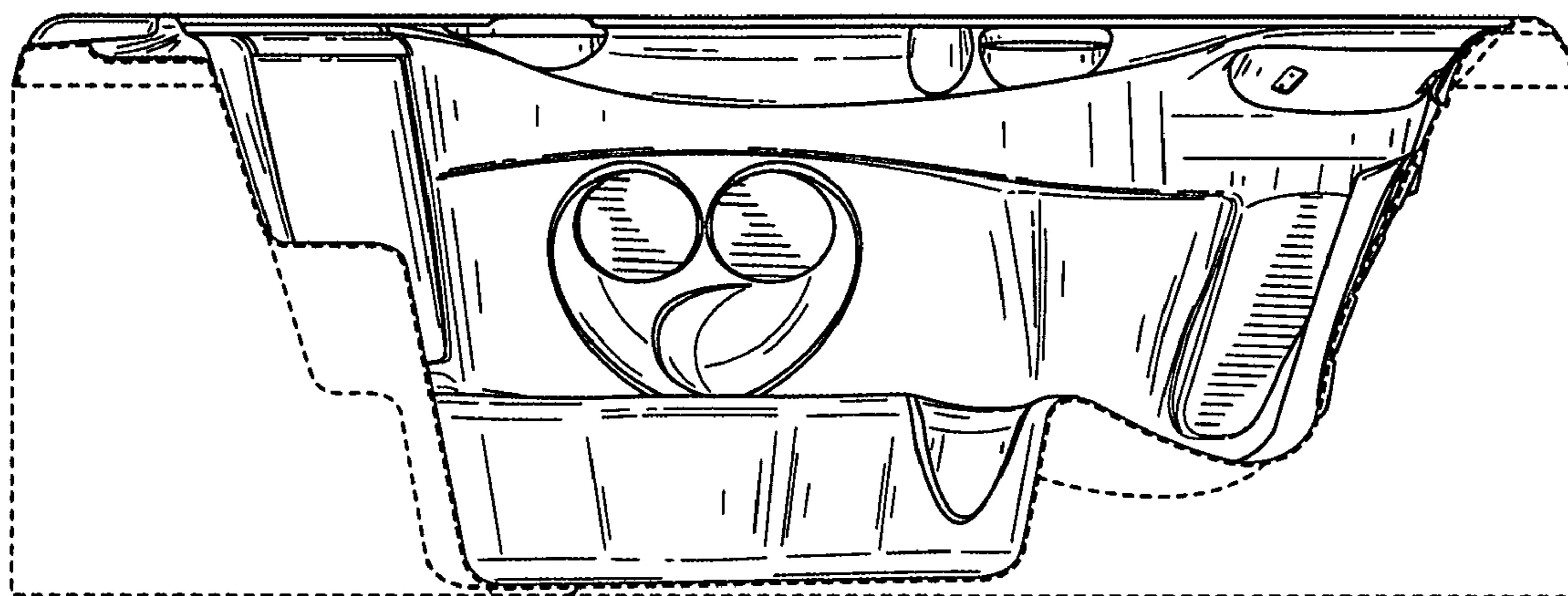


FIG. 5

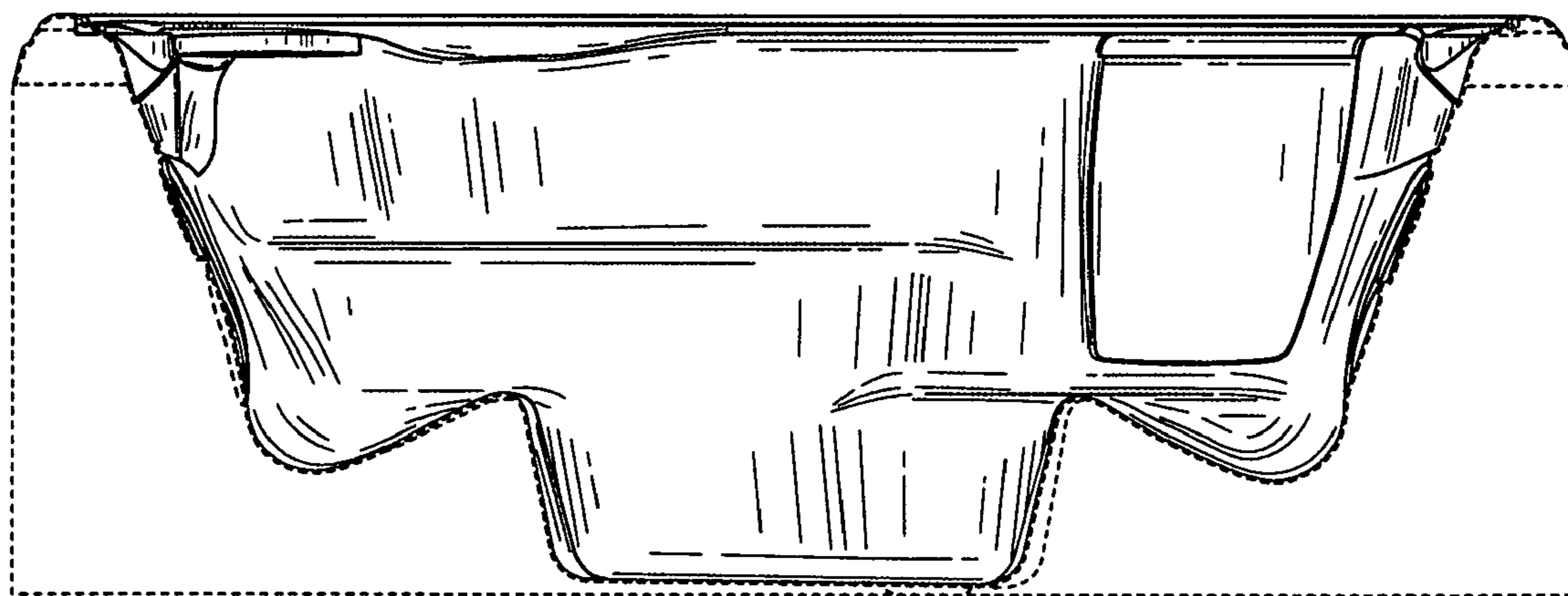


FIG. 6