



US00D634016S

(12) **United States Design Patent**  
**Schon**

(10) **Patent No.:** **US D634,016 S**  
(45) **Date of Patent:** **\*\* Mar. 8, 2011**

(54) **ANESTHESIA MACHINE**

(74) *Attorney, Agent, or Firm* — Kory D. Christensen; Steel Rives LLP

(75) **Inventor:** **Peter Schon**, New York, NY (US)

(73) **Assignee:** **Mindray DS USA, Inc.**, Mahwah, NJ (US)

(57) **CLAIM**  
The ornamental design for an anesthesia machine, as shown and described.

(\*\*) **Term:** **14 Years**

(21) **Appl. No.:** **29/376,673**

**DESCRIPTION**

(22) **Filed:** **Oct. 9, 2010**

A portion of the disclosure of this patent document contains material to which a claim for copyright is made. The copyright owner has no objection to the facsimile reproduction by anyone of the patent document or the patent disclosure, as it appears in the file or records of the U.S. Patent and Trademark Office, but reserves all other copyright rights whatsoever.

(51) **LOC (9) Cl.** ..... **24-01**

(52) **U.S. Cl.** ..... **D24/186; D24/107**

(58) **Field of Classification Search** ..... D24/107–108, D24/156, 176–177, 185–186, 221, 110–111; 600/301, 481, 483–485, 509, 513, 519, 544; 433/80; D10/81, 104; D15/7, 9; 604/131, 604/151, 152, 232; 128/204.22, 204.23; 607/134

See application file for complete search history.

FIG. 1 is a front perspective view of a first embodiment of an anesthesia machine, showing my new design; FIG. 2 is another front perspective view thereof; FIG. 3 is a front elevation view thereof; FIG. 4 is a right side elevation view thereof; FIG. 5 is a left side elevation view thereof; FIG. 6 is a rear elevation view thereof; FIG. 7 is a top plan view thereof; and,

(56) **References Cited**

**U.S. PATENT DOCUMENTS**

D248,405 S *	7/1978	Leong	.....	D24/111
4,150,670 A *	4/1979	Jewett et al.	.....	128/204.22
4,676,257 A *	6/1987	Halpern	.....	607/134
D312,307 S *	11/1990	Leibson et al.	.....	D24/186
D315,950 S *	4/1991	Lundy	.....	D24/108
D375,158 S *	10/1996	Milani et al.	.....	D24/110
5,778,874 A *	7/1998	Maguire et al.	.....	128/205.23
D423,665 S *	4/2000	Herbst et al.	.....	D24/107
D451,596 S *	12/2001	Baczkowski	.....	D24/107
D459,799 S *	7/2002	Stromberg et al.	.....	D24/107
D471,271 S *	3/2003	Stromberg et al.	.....	D24/107
D566,265 S *	4/2008	Hochman et al.	.....	D24/107
D579,540 S *	10/2008	Hochman et al.	.....	D24/107

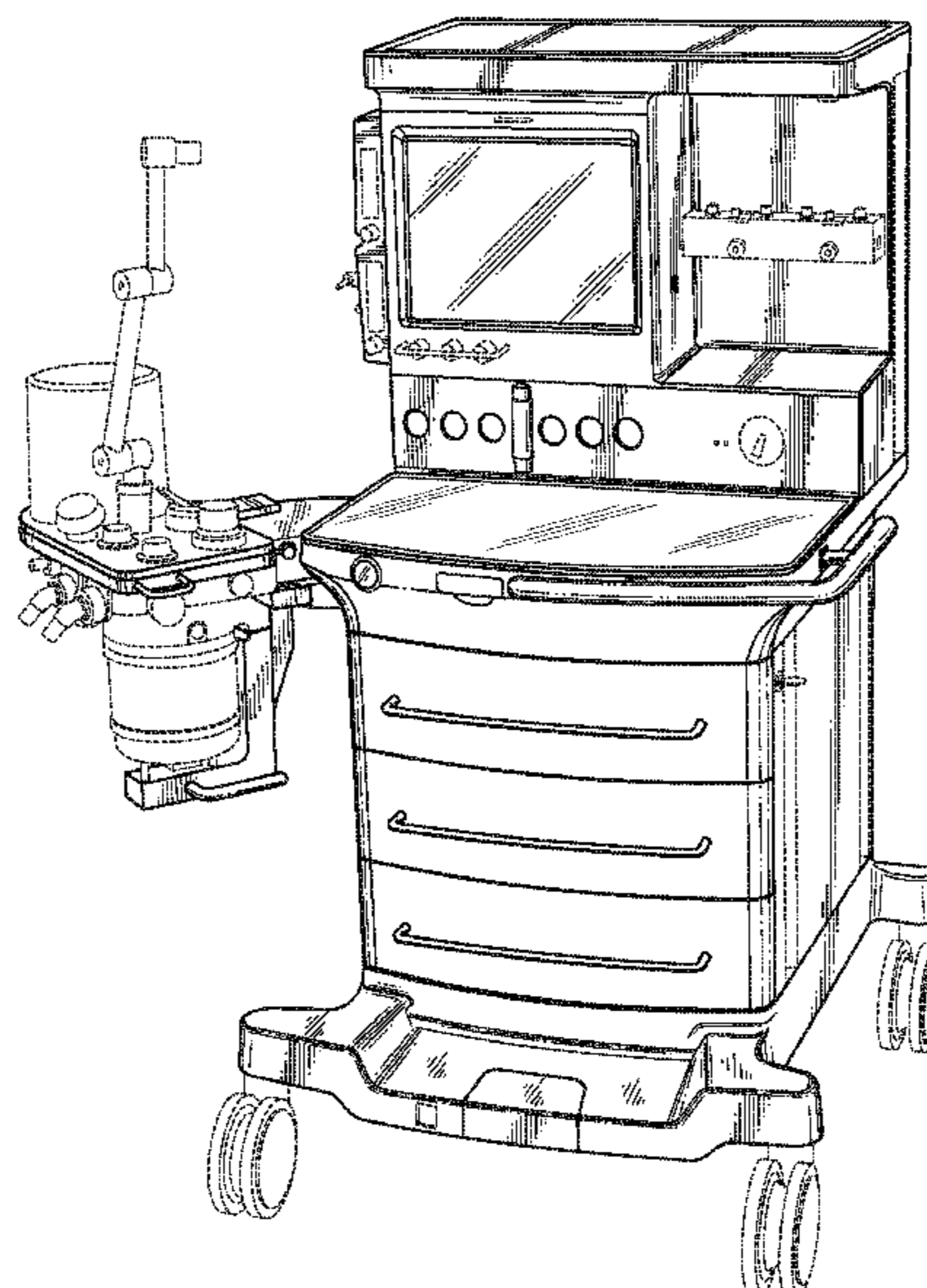
FIG. 8 is a top plan view of a second embodiment of an anesthesia machine that has an accessory arm capable of being transitioned between a retracted position and an extended position, wherein the accessory arm is shown in FIG. 8 in the retracted position, it being understood that the appearance of the second embodiment of an anesthesia machine is identical to that of the first embodiment of an anesthesia machine that is shown in FIGS. 1-7 when the accessory arm is in the extended position.

\* cited by examiner

The broken lines immediately adjacent the shaded areas represent the bounds of the claimed design, while all other broken lines are directed to environment and are for illustrative purposes only; the broken lines form no part of the claimed design.

*Primary Examiner* — T. Chase Nelson  
*Assistant Examiner* — Mark Cavanna

**1 Claim, 7 Drawing Sheets**



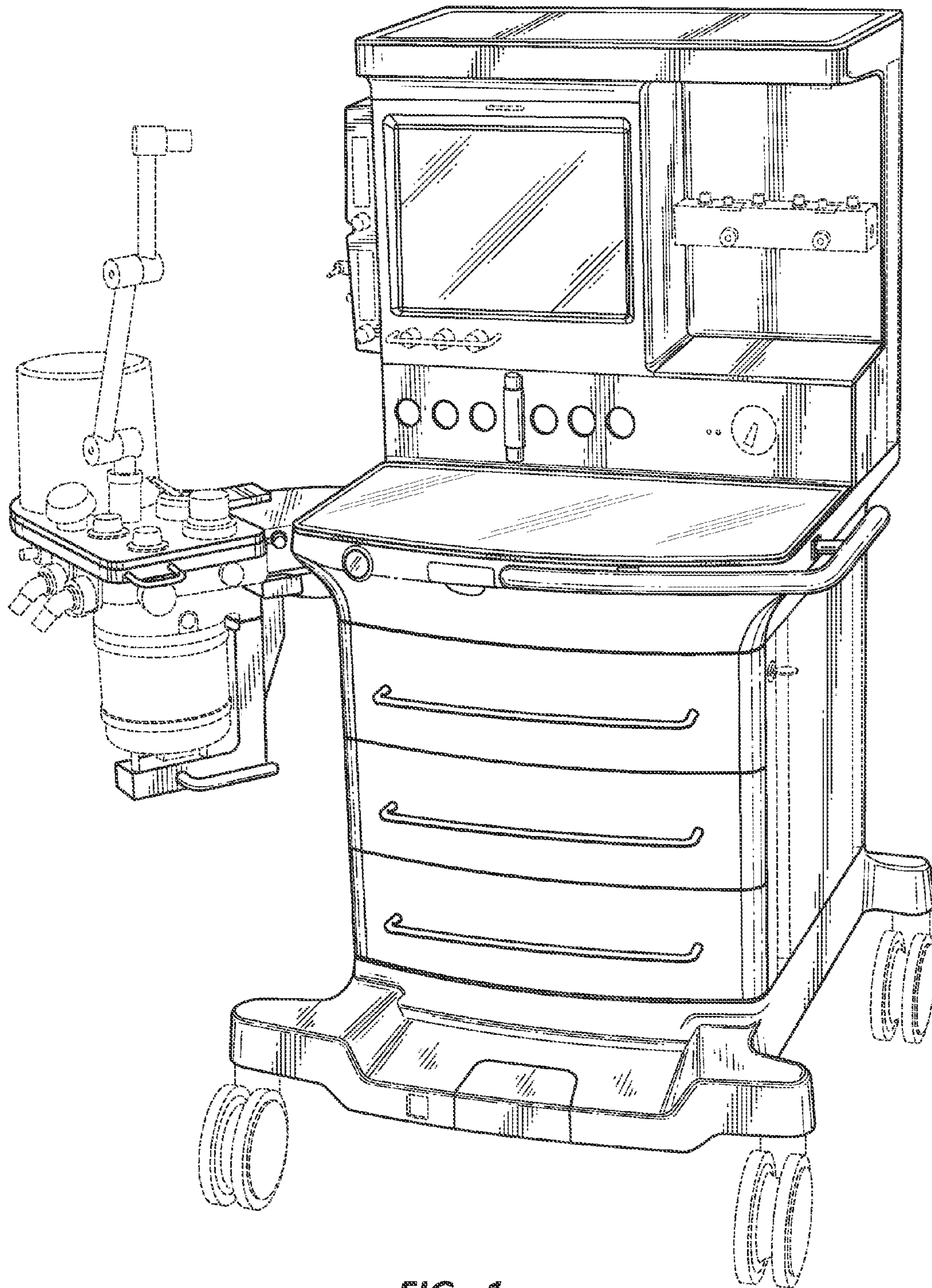


FIG. 1



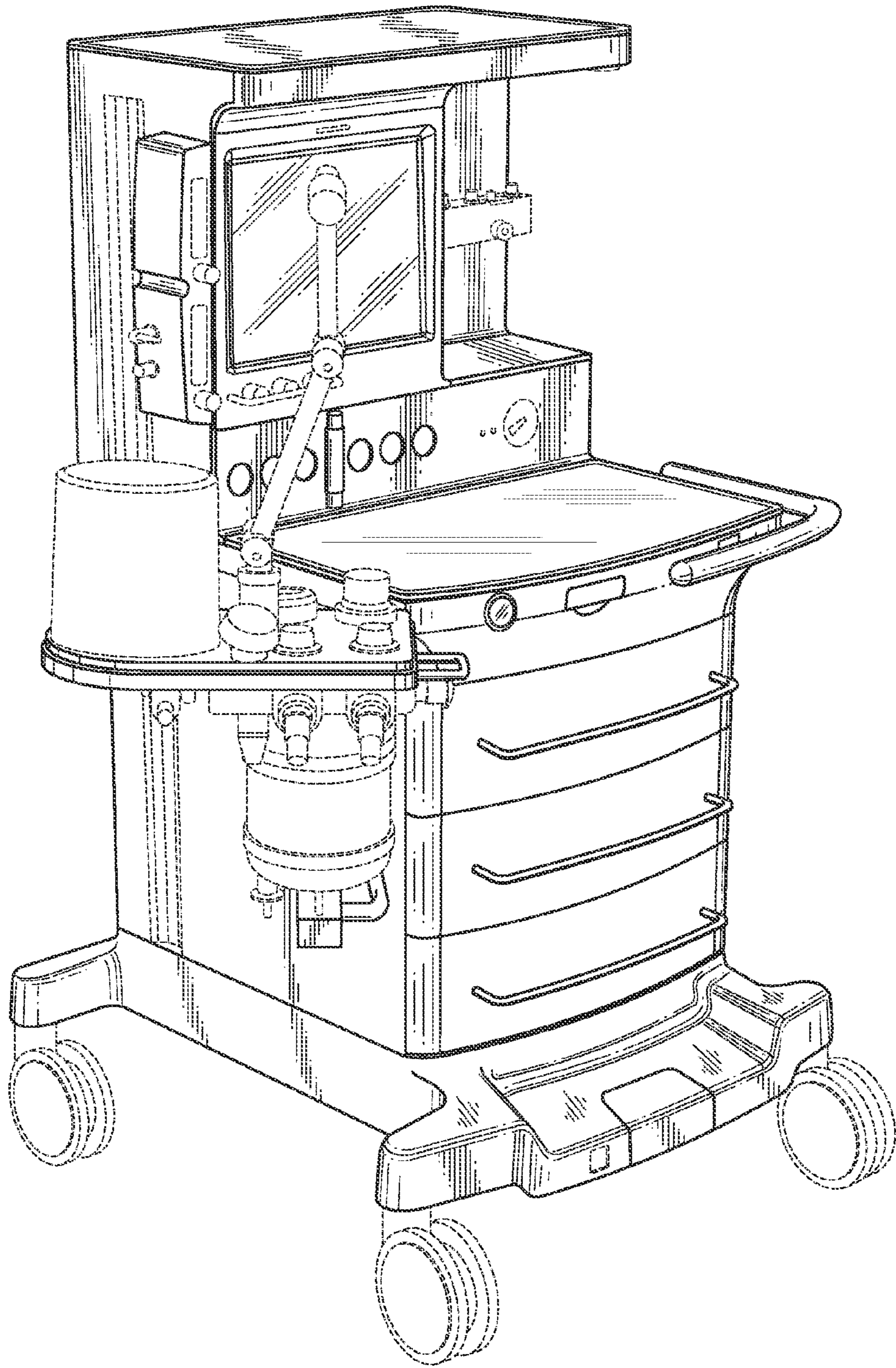


FIG. 2

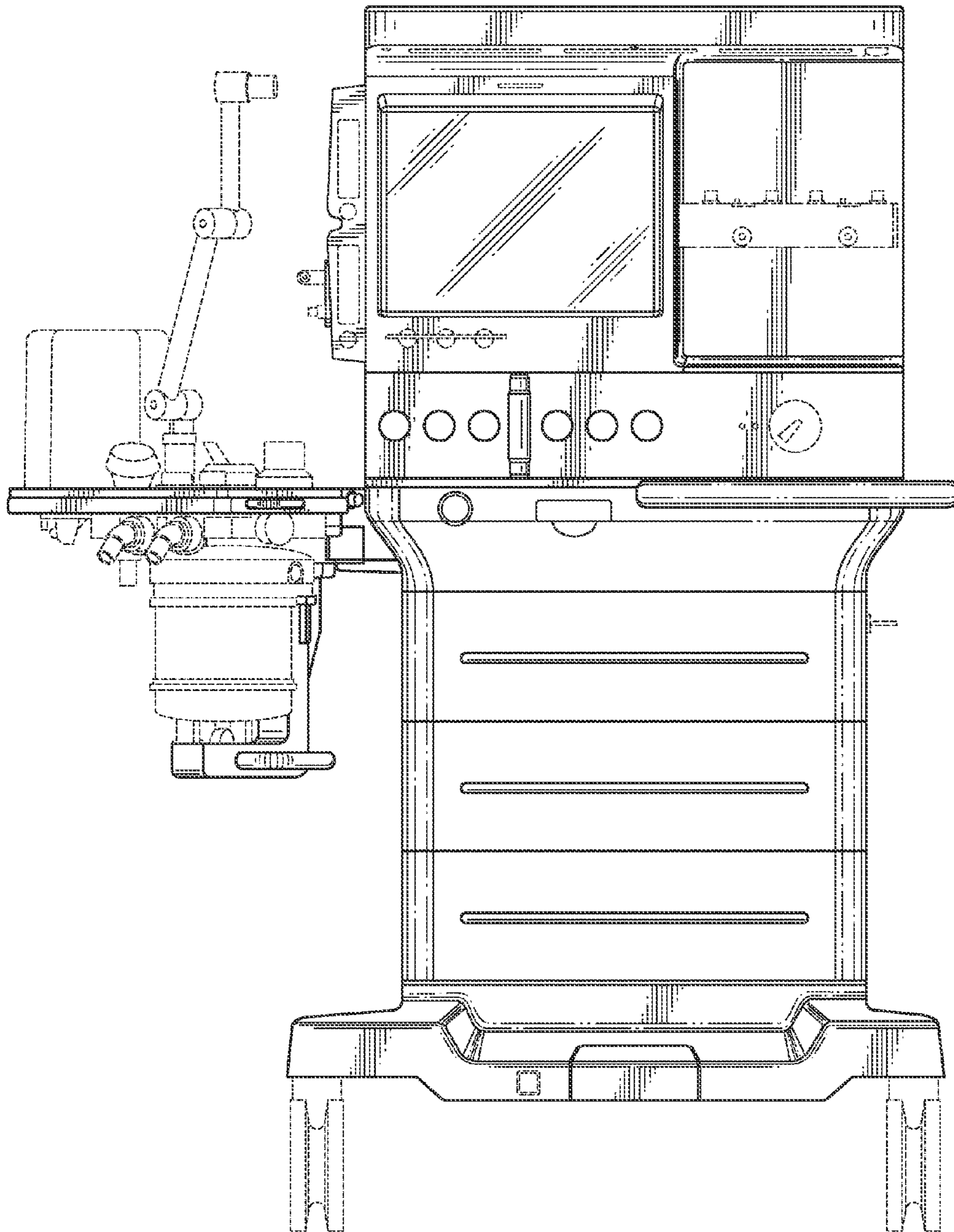


FIG. 3

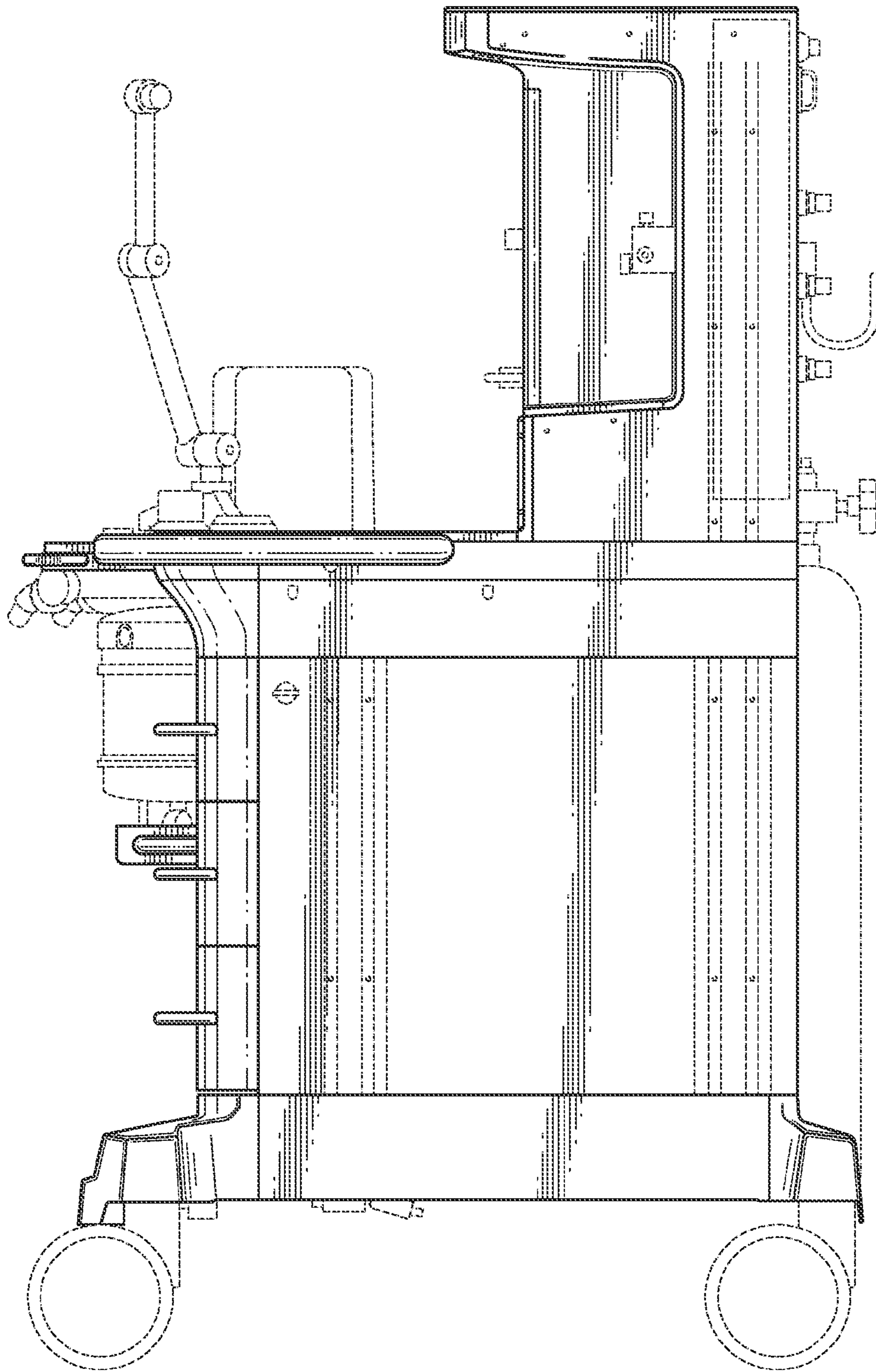


FIG. 4



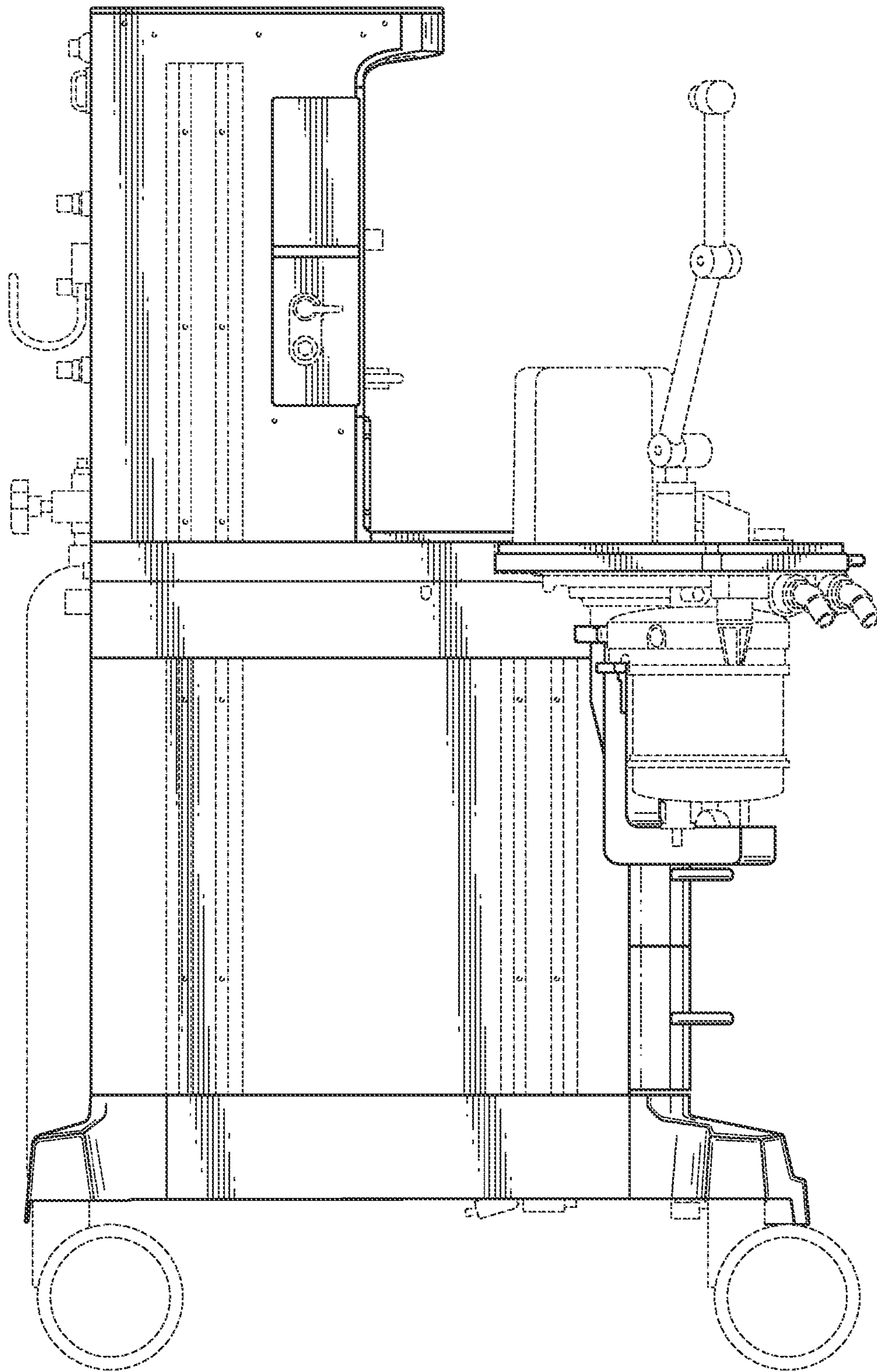


FIG. 5

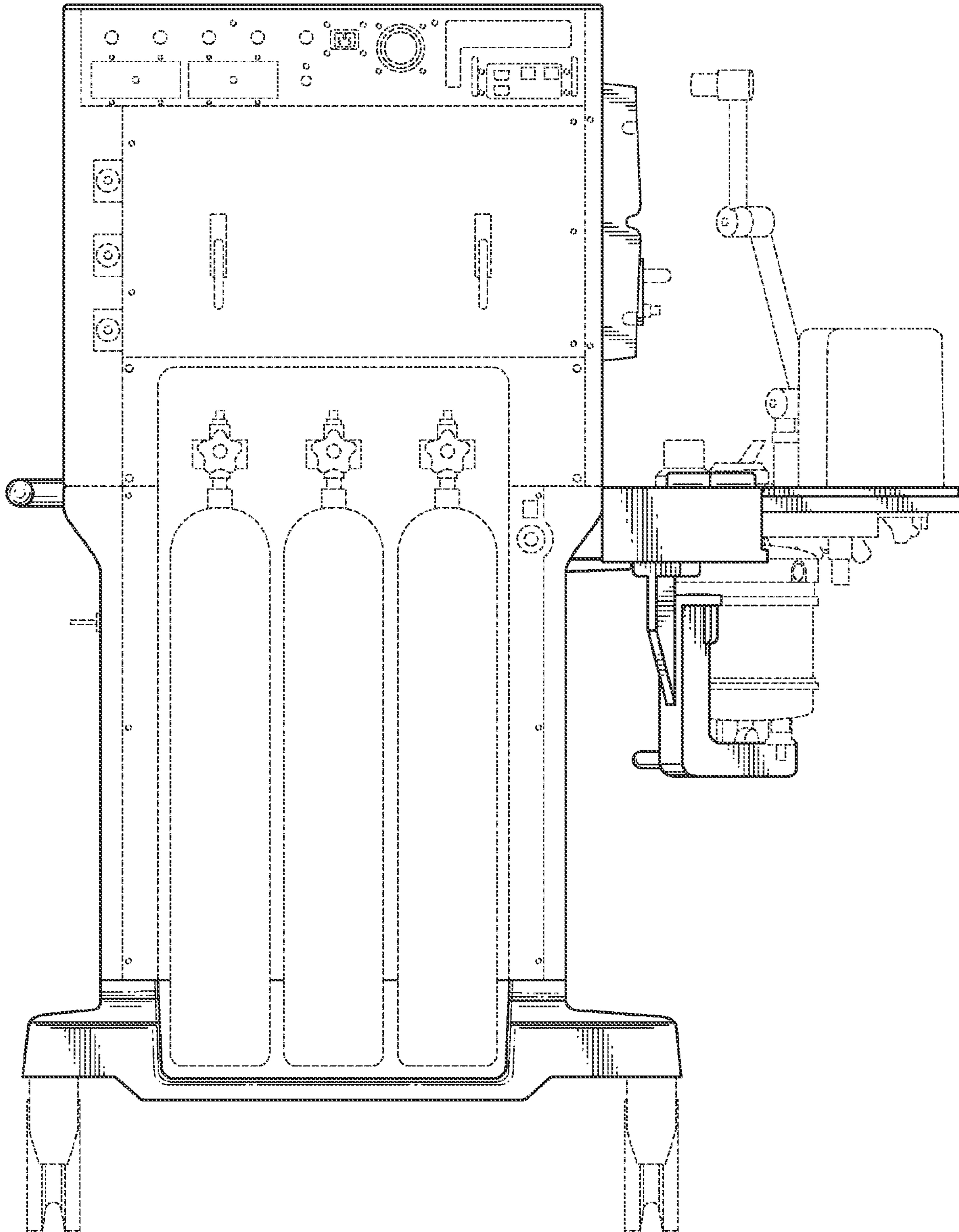


FIG. 6

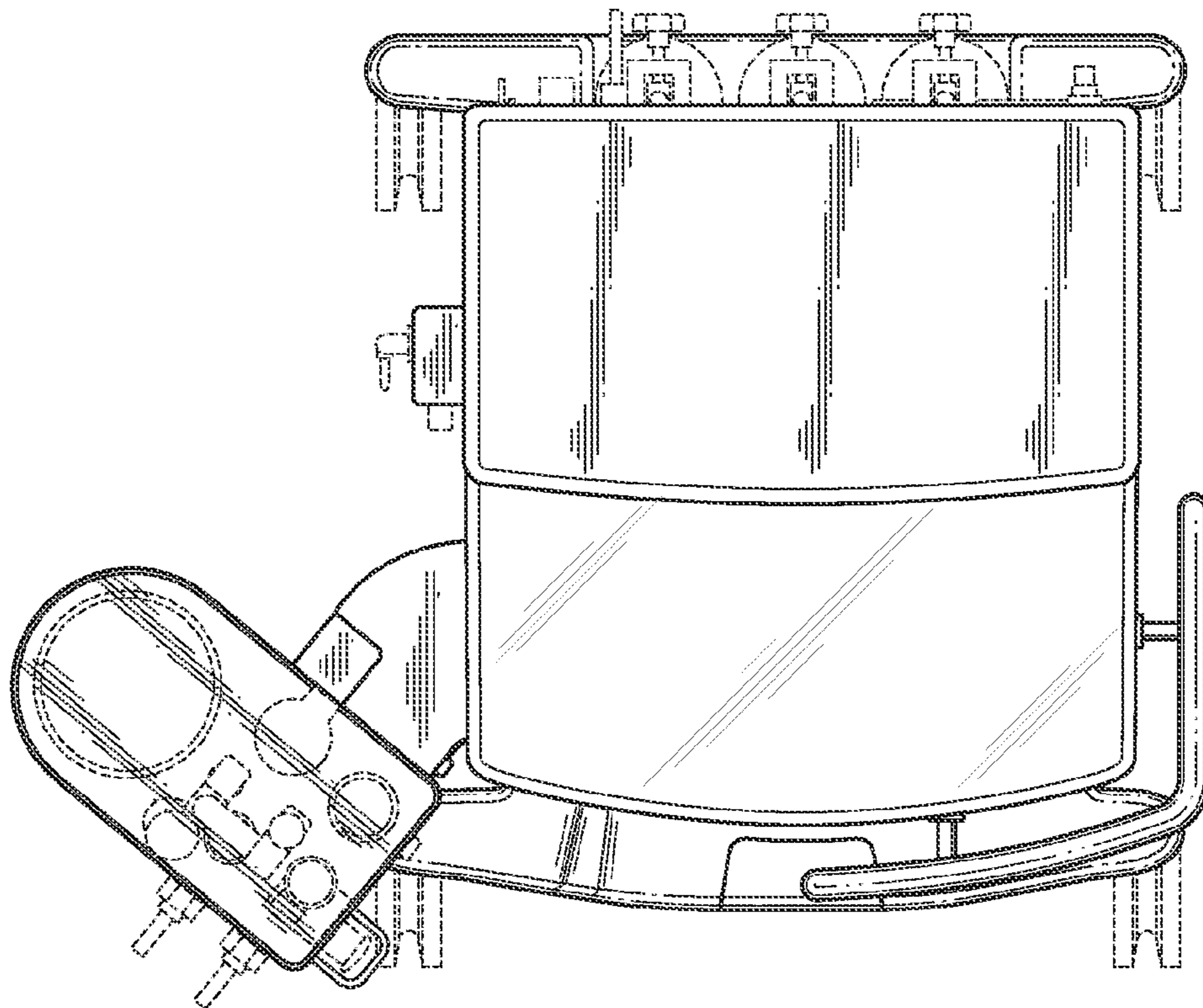


FIG. 7

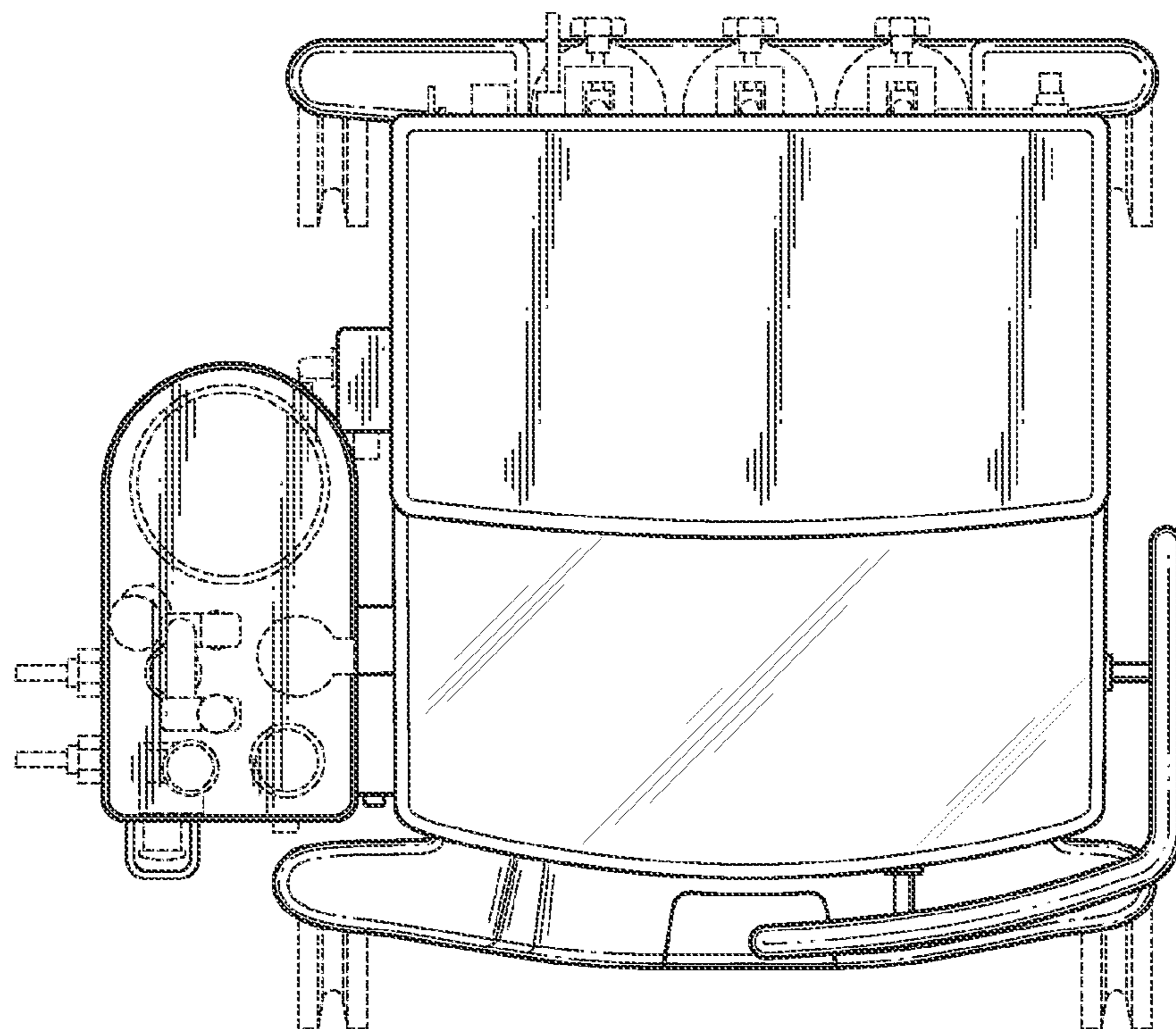


FIG. 8