



US00D634015S

(12) **United States Design Patent**  
**King et al.**

(10) **Patent No.:** **US D634,015 S**

(45) **Date of Patent:** **\*\* Mar. 8, 2011**

(54) **MANDIBLE CUP WITH PAD**

(75) Inventors: **April Christine King**, Cardiff by the Sea, CA (US); **Adrian Pelkus**, Escondido, CA (US); **William J. Mazzei**, San Diego, CA (US); **Warren Gee Young**, San Diego, CA (US)

(73) Assignee: **Hypnoz Therapeutic Devices, Inc.**, San Marcos, CA (US)

(\*\*) Term: **14 Years**

(21) Appl. No.: **29/356,549**

(22) Filed: **Feb. 26, 2010**

(51) **LOC (9) Cl.** ..... **24-02**

(52) **U.S. Cl.** ..... **D24/184**

(58) **Field of Classification Search** ..... D24/127,  
D24/128, 171, 190-191, 183-184, 200; 128/207.17,  
128/207.18, 200.26, 870, 845; 602/17, 18,  
602/32; 607/2, 48

See application file for complete search history.

(56) **References Cited**

U.S. PATENT DOCUMENTS

3,306,284	A *	2/1967	McKinley	.....	602/18
5,054,475	A *	10/1991	Calabrese et al.	.....	602/17
5,141,489	A *	8/1992	Sereboff	.....	602/18
7,055,524	B1 *	6/2006	Taimoorazy	.....	128/845
D616,996	S *	6/2010	Thorgilsdottir et al.	.....	D24/190
2005/0247309	A1 *	11/2005	Reddick	.....	128/848
2007/0000495	A1 *	1/2007	Matula et al.	.....	128/207.18
2007/0079832	A1 *	4/2007	Baldauf et al.	.....	128/207.17
2009/0018611	A1 *	1/2009	Campbell et al.	.....	607/48
2009/0095309	A1 *	4/2009	Derrick et al.	.....	128/870

\* cited by examiner

*Primary Examiner* — T. Chase Nelson

*Assistant Examiner* — Mark Cavanna

(74) *Attorney, Agent, or Firm* — Sheppard Mullin Richter & Hampton LLP

(57) **CLAIM**

The ornamental design for a mandible cup with pad, as shown and described.

**DESCRIPTION**

Design Application for Mandible Cup, Ser. No. 29/356,552, (filed concurrently herewith and); U.S. Utility patent application Ser. No. 12/209,003, filed on Sep. 11, 2008.

FIG. 1 is a perspective view of a first embodiment of a mandible cup embodying our design.

FIG. 2 is a front view of a first embodiment of a mandible cup embodying our design.

FIG. 3 is a rear view of a first embodiment of a mandible cup embodying our design.

FIG. 4 is a right view of a first embodiment of a mandible cup embodying our design.

FIG. 5 is a left view of a first embodiment of a mandible cup embodying our design.

FIG. 6 is a top view of a first embodiment of a mandible cup embodying our design.

FIG. 7 is a bottom view of a first embodiment of a mandible cup embodying our design.

FIG. 8 is a perspective view of a second embodiment of a mandible cup embodying our design.

FIG. 9 is a front view of a second embodiment of a mandible cup embodying our design.

FIG. 10 is a rear view of a second embodiment of a mandible cup embodying our design.

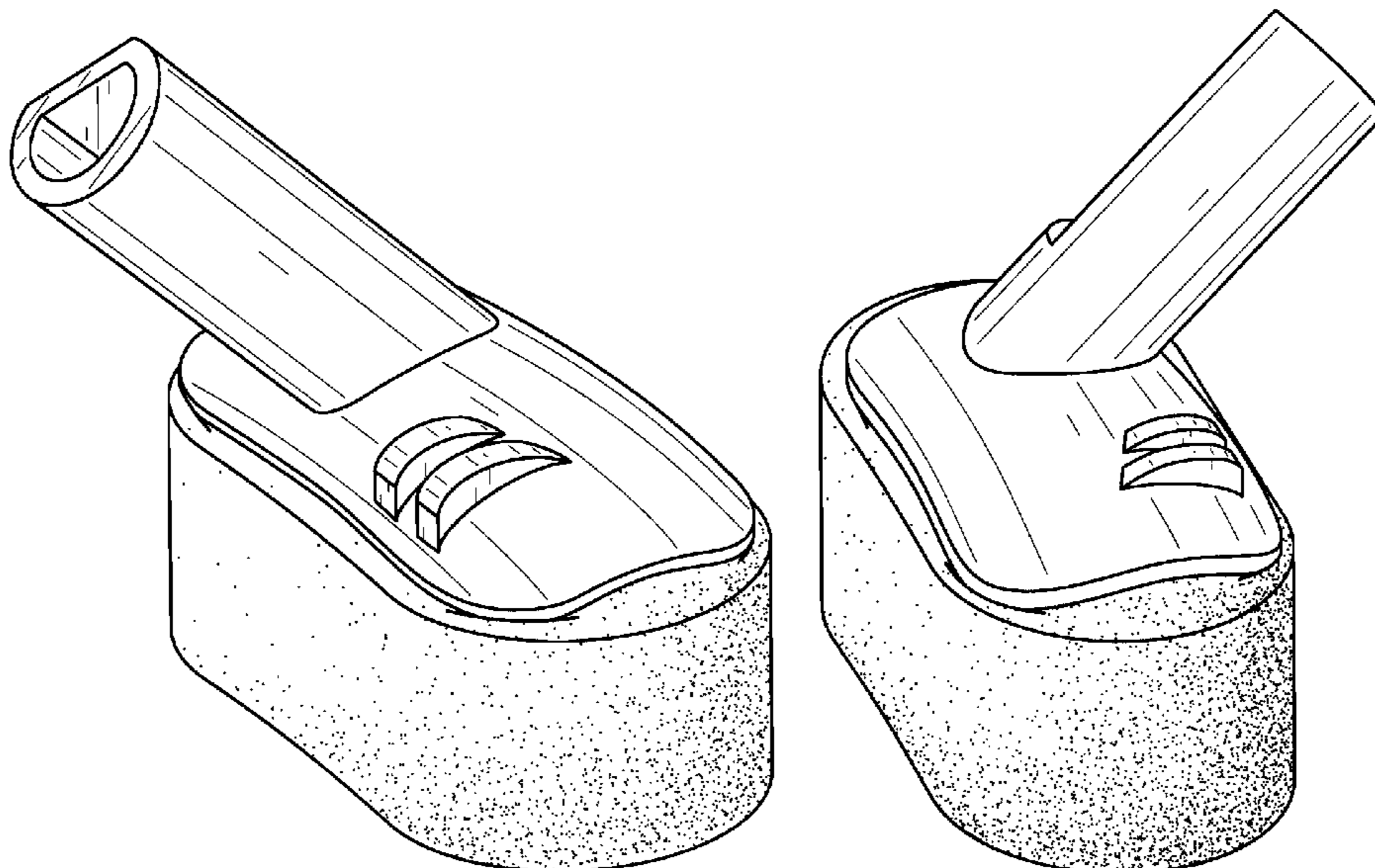
FIG. 11 is a left view of a second embodiment of a mandible cup embodying our design.

FIG. 12 is a right view of a second embodiment of a mandible cup embodying our design.

FIG. 13 is a top view of a second embodiment of a mandible cup embodying our design; and,

FIG. 14 is a bottom view of a second embodiment of a mandible cup embodying our design.

**1 Claim, 8 Drawing Sheets**



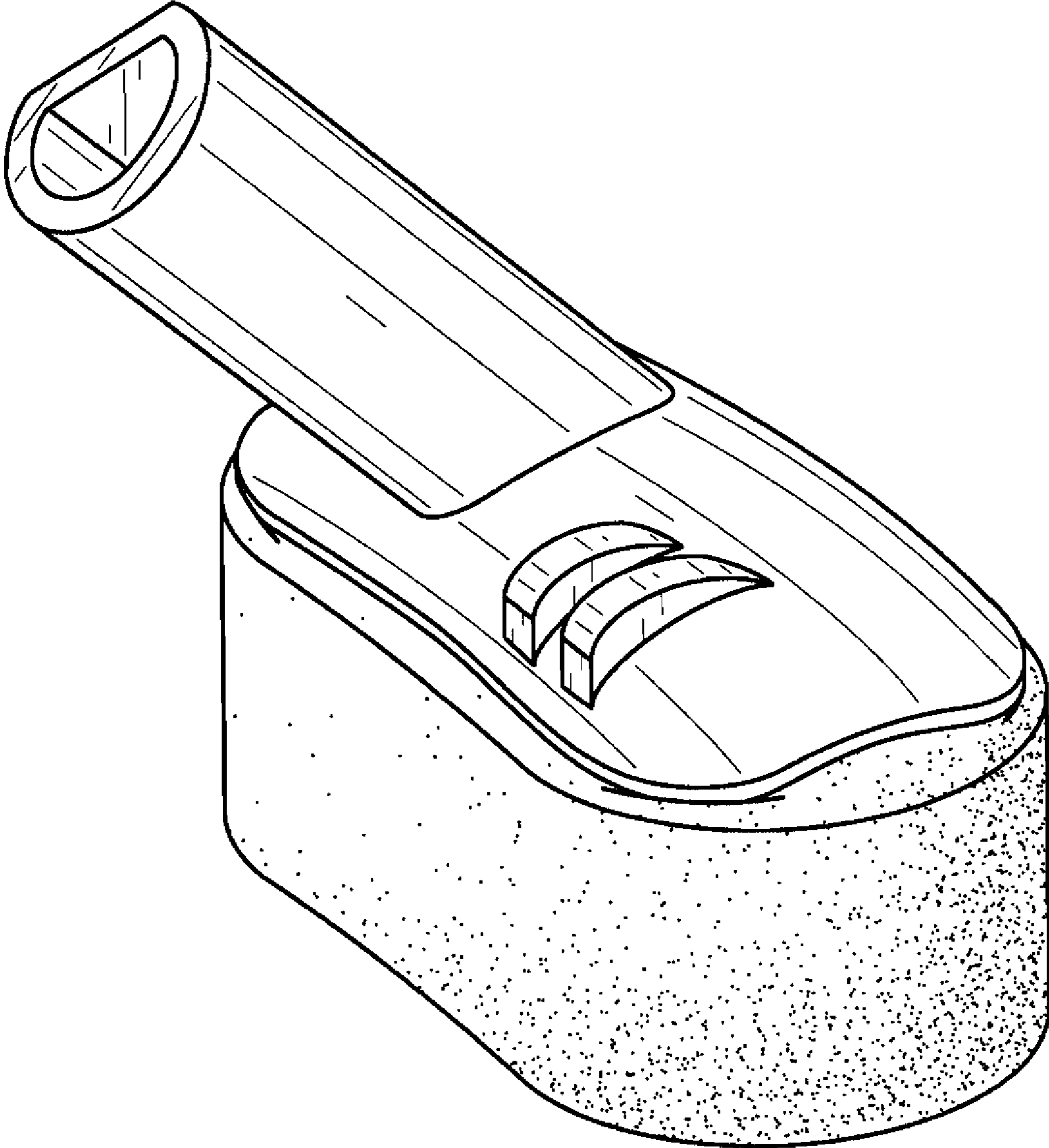


FIG. 1

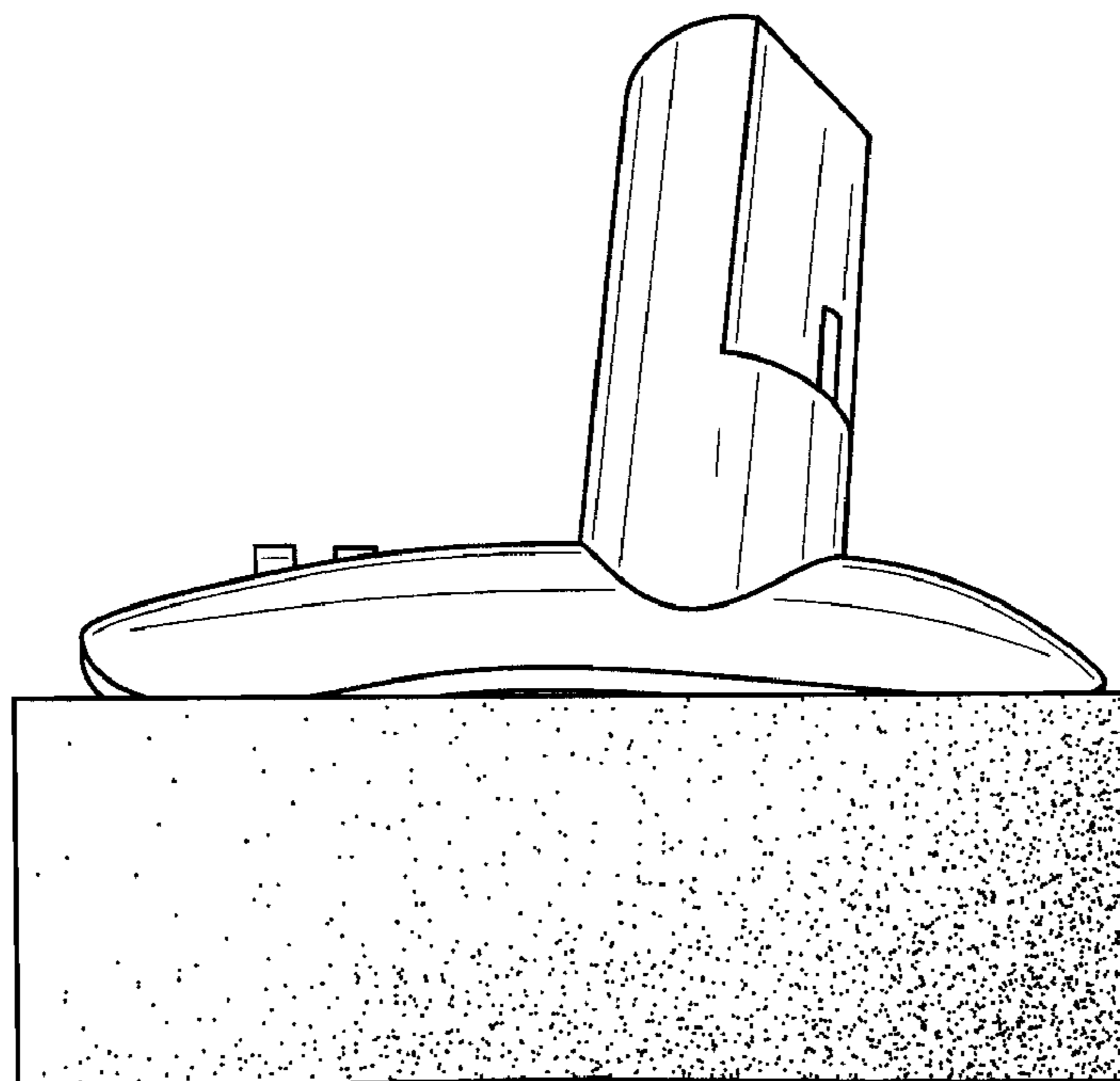


FIG. 2

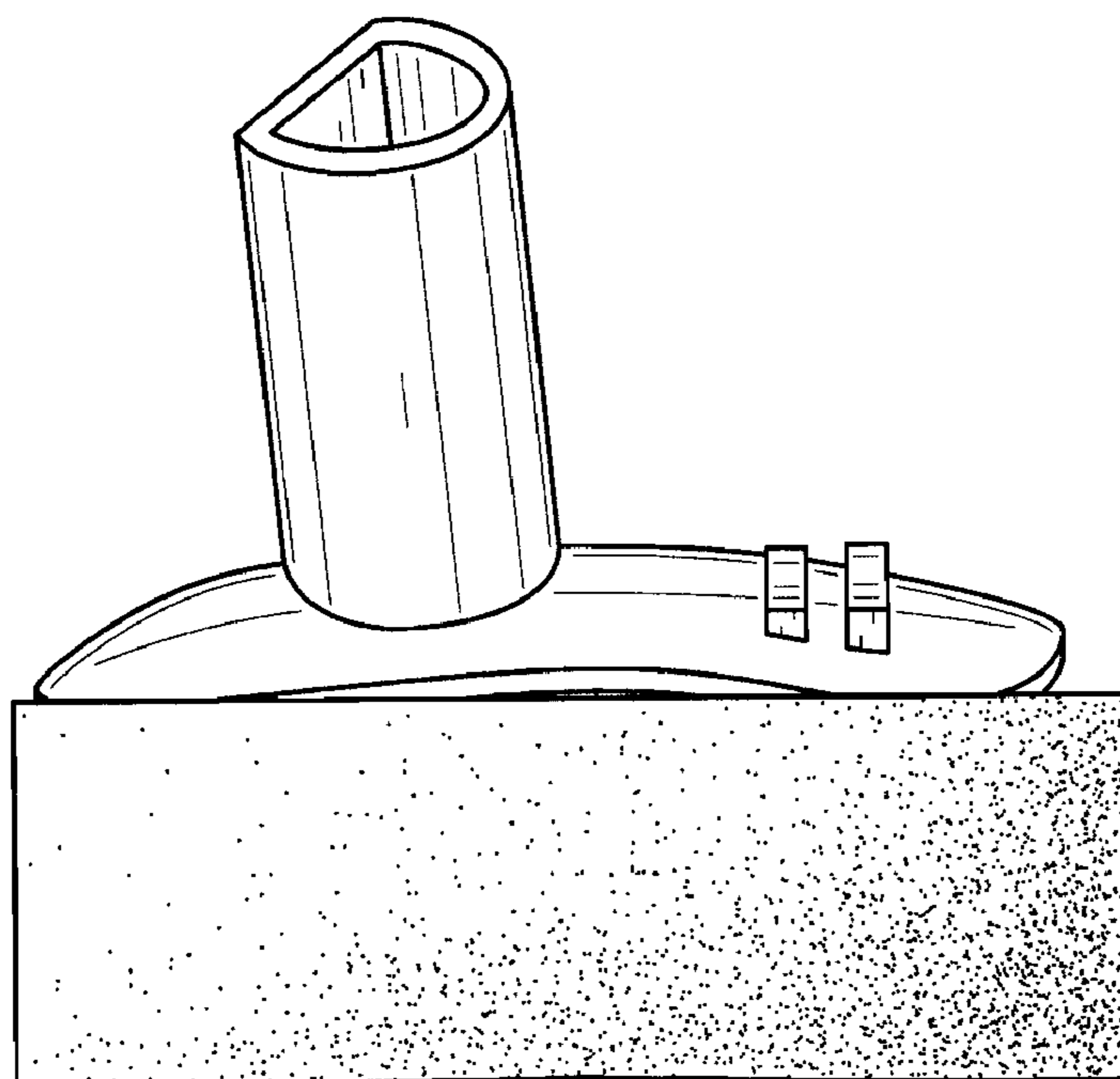


FIG. 3



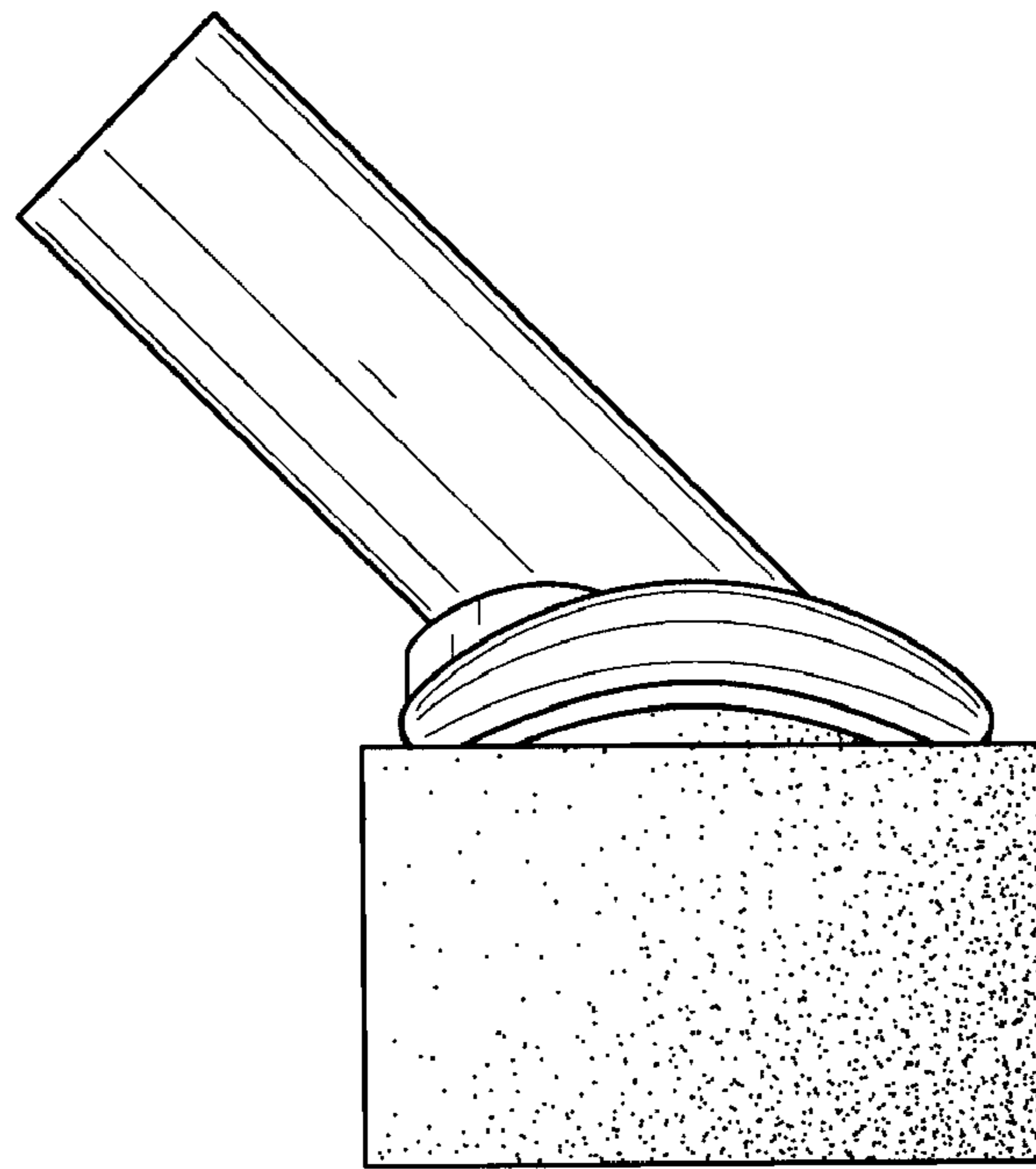


FIG. 4

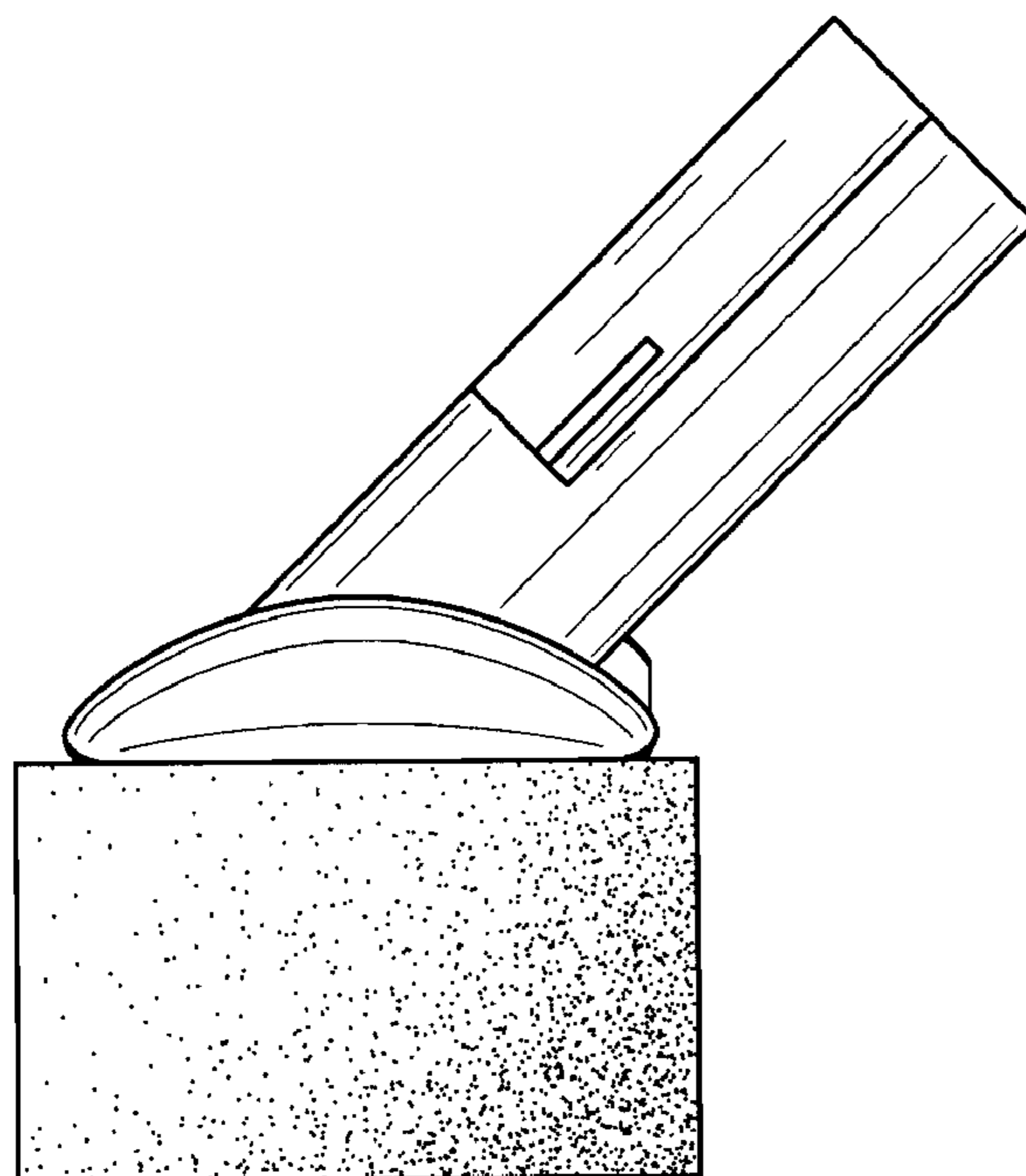


FIG. 5

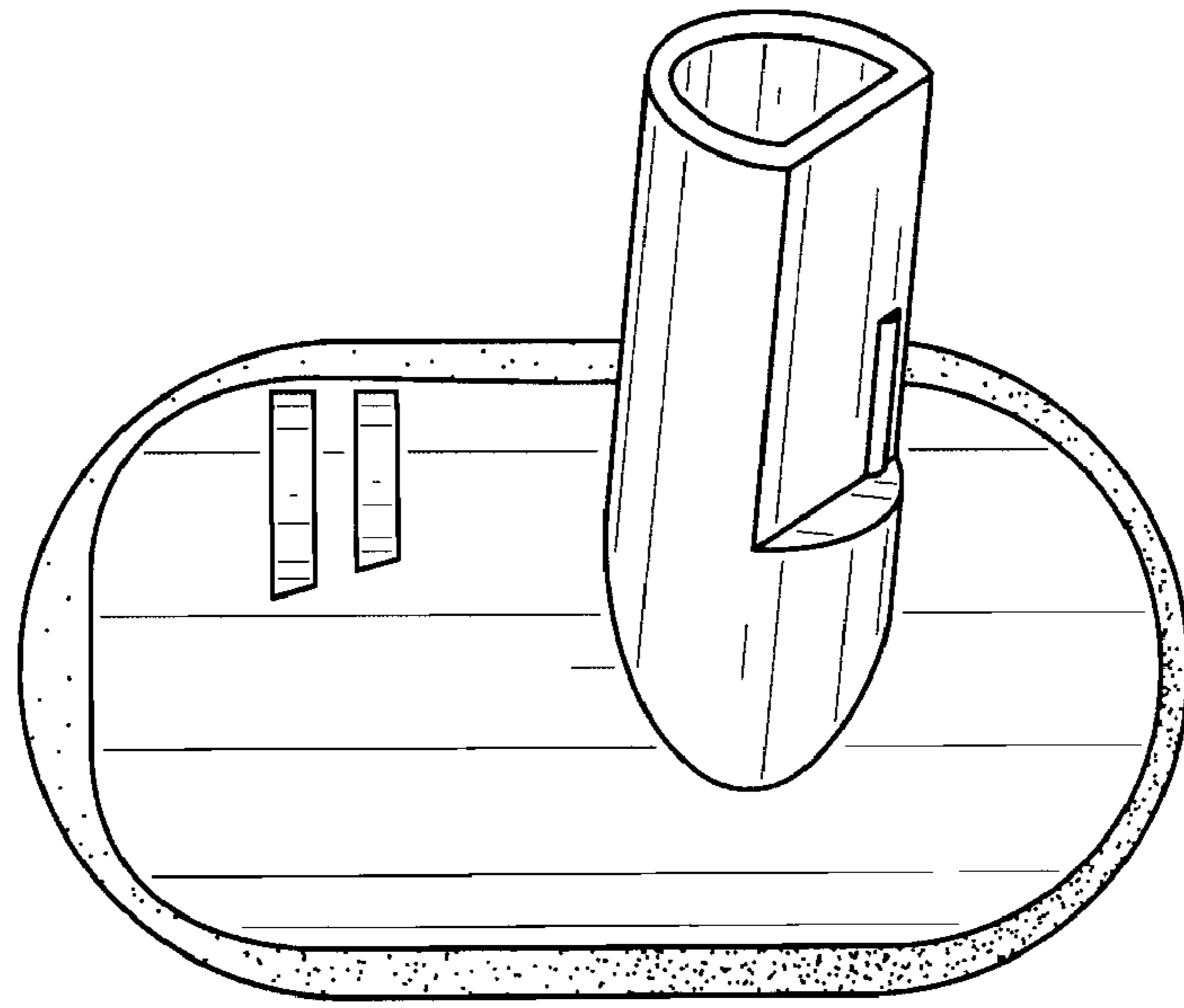


FIG. 6

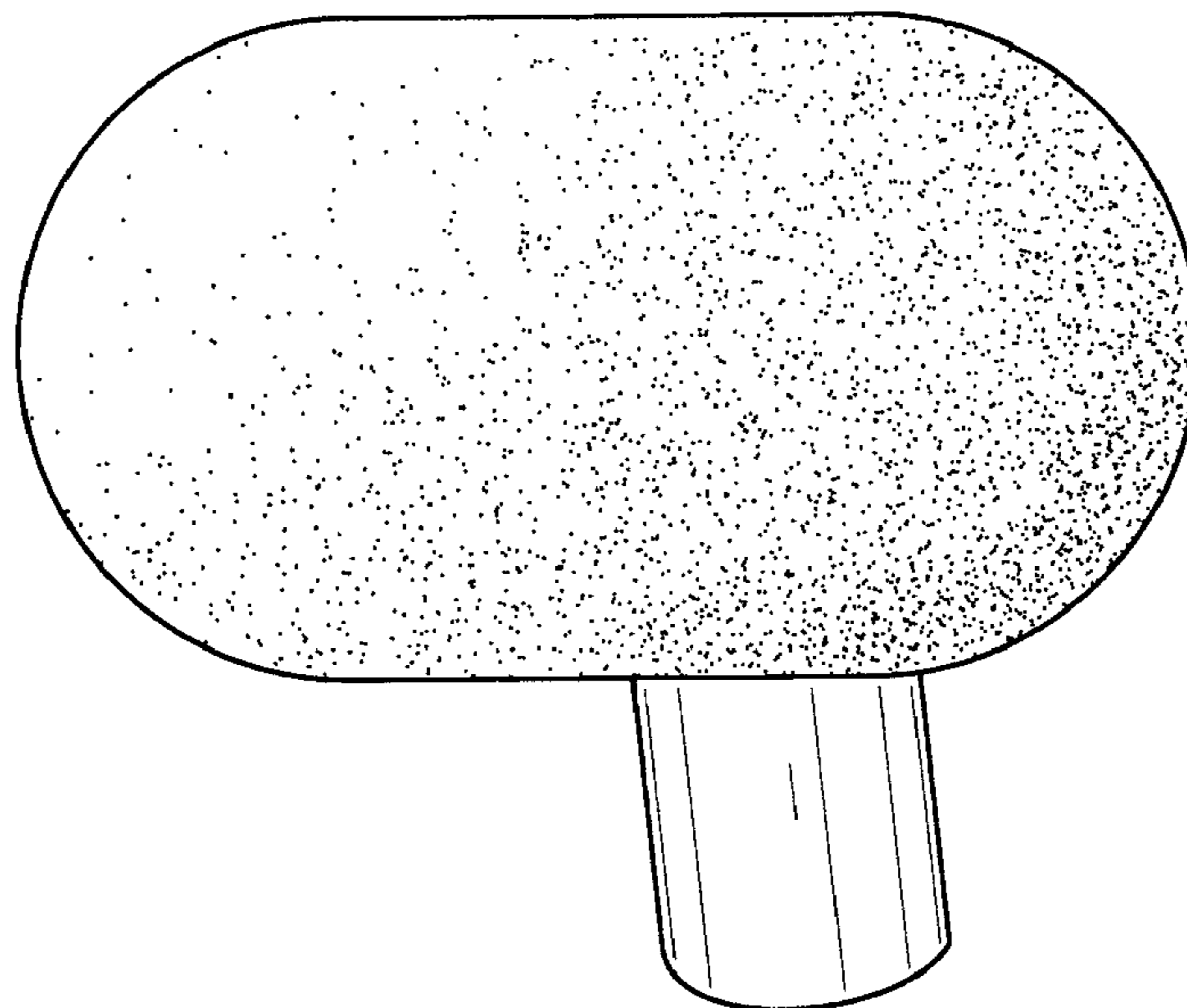


FIG. 7

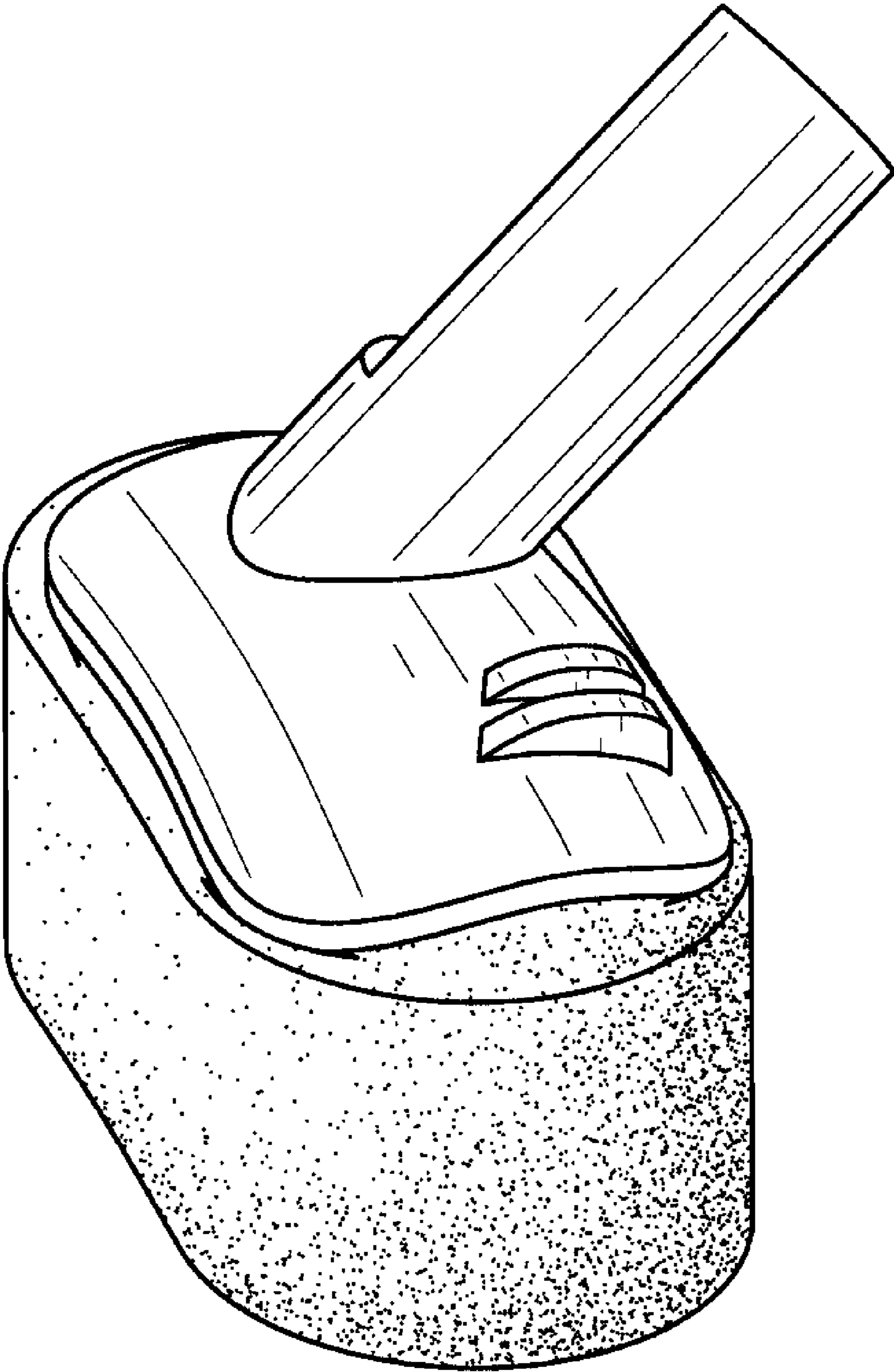


FIG. 8

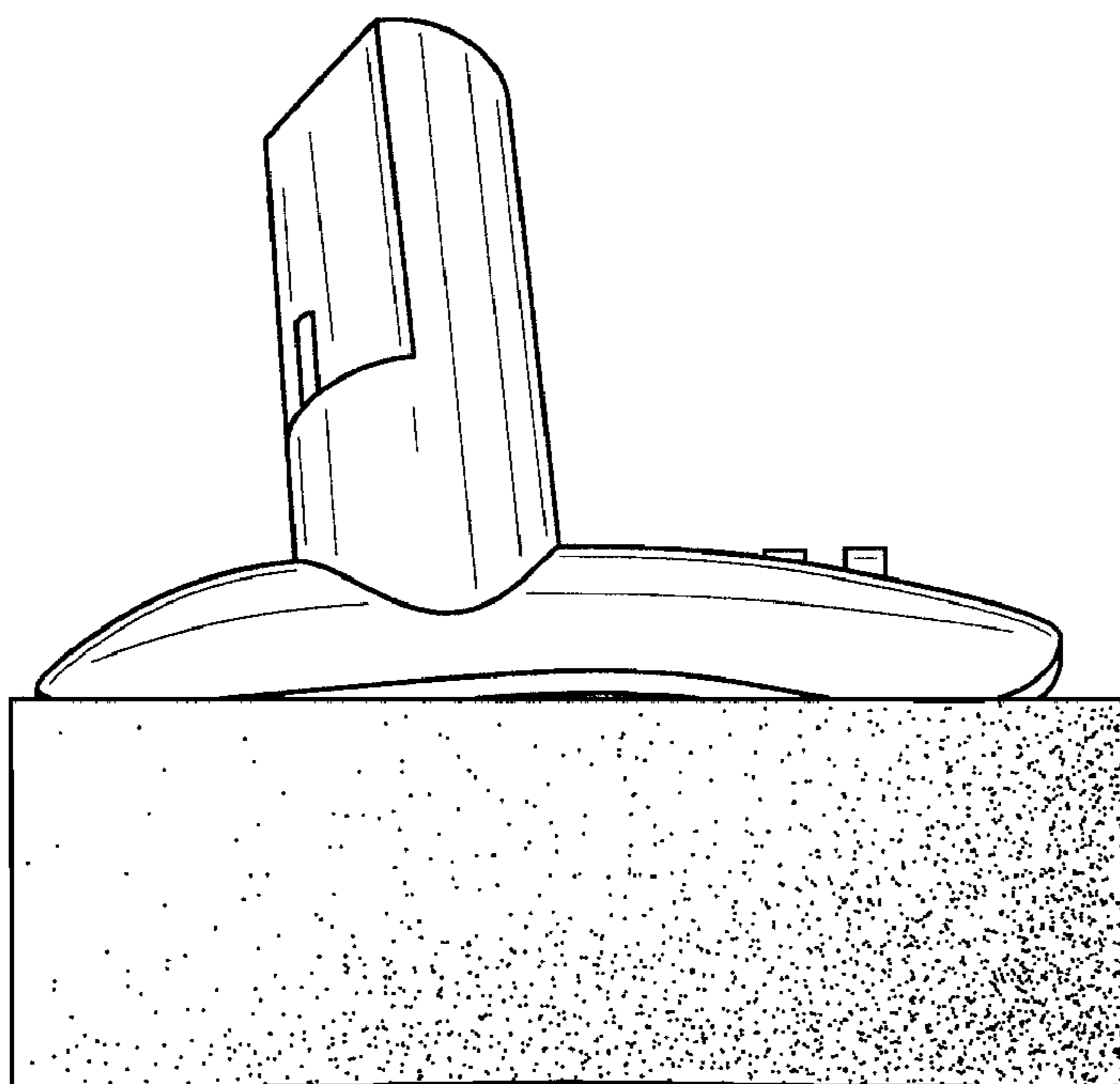


FIG. 9

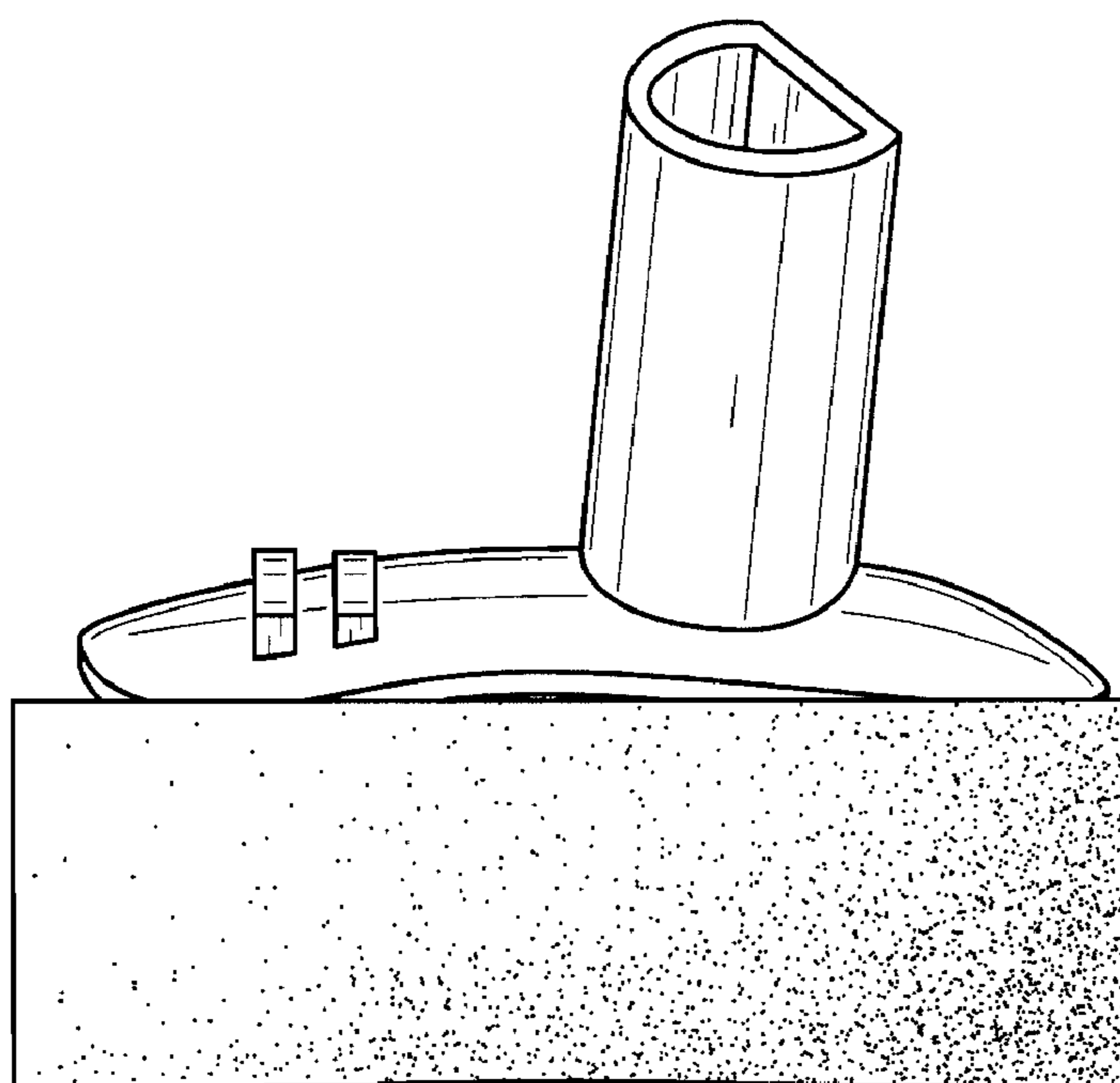


FIG. 10

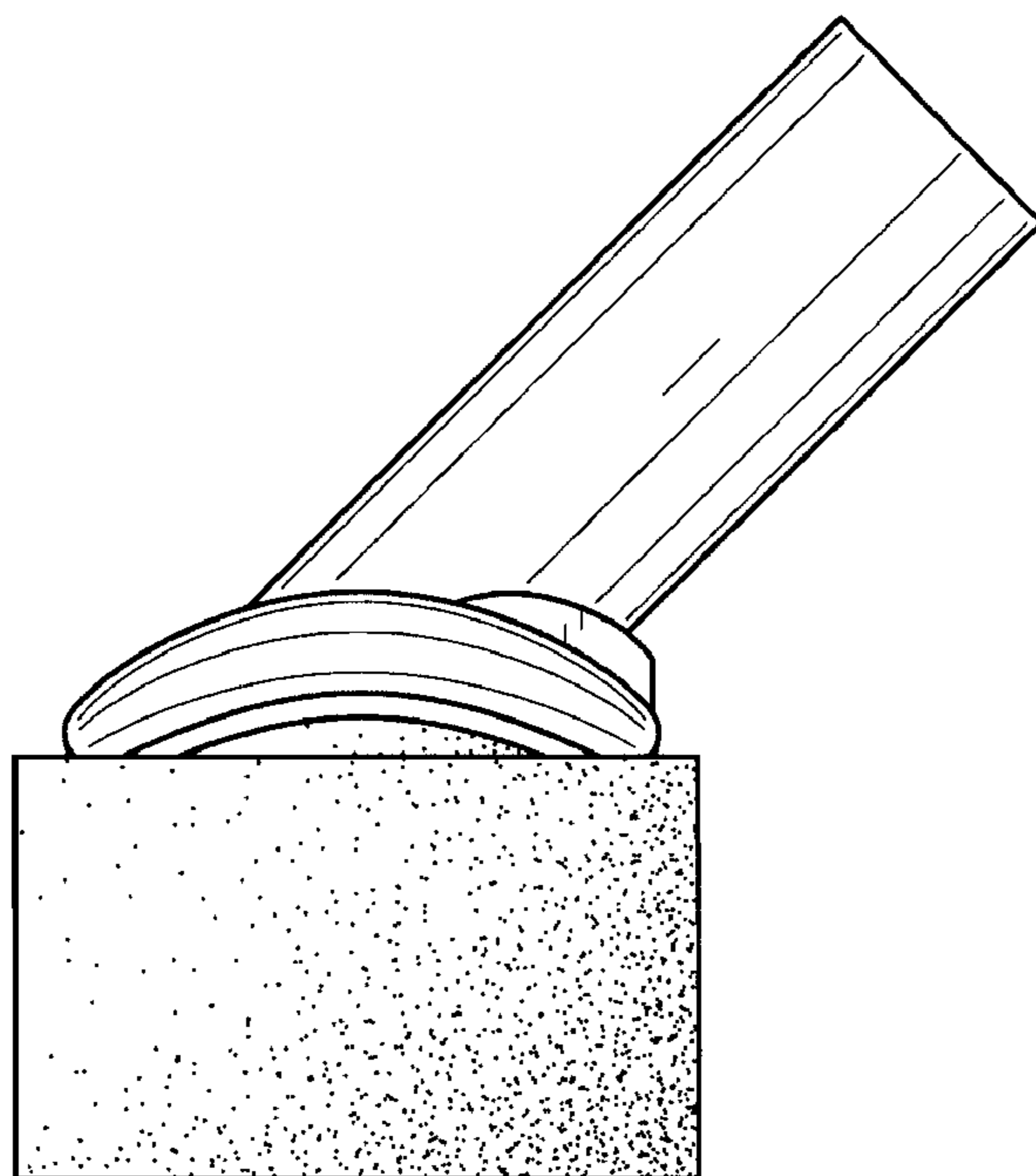


FIG. 11

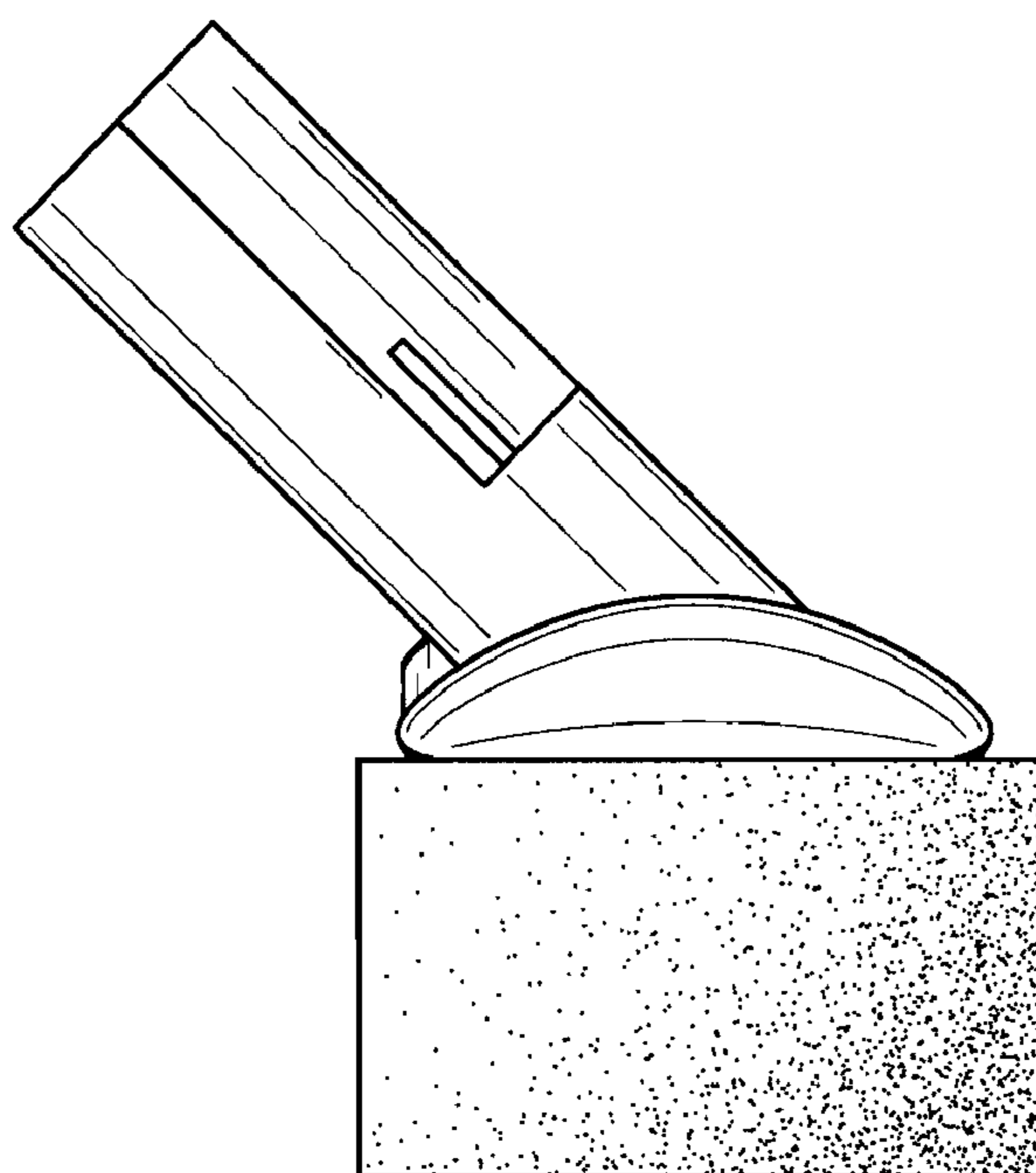


FIG. 12



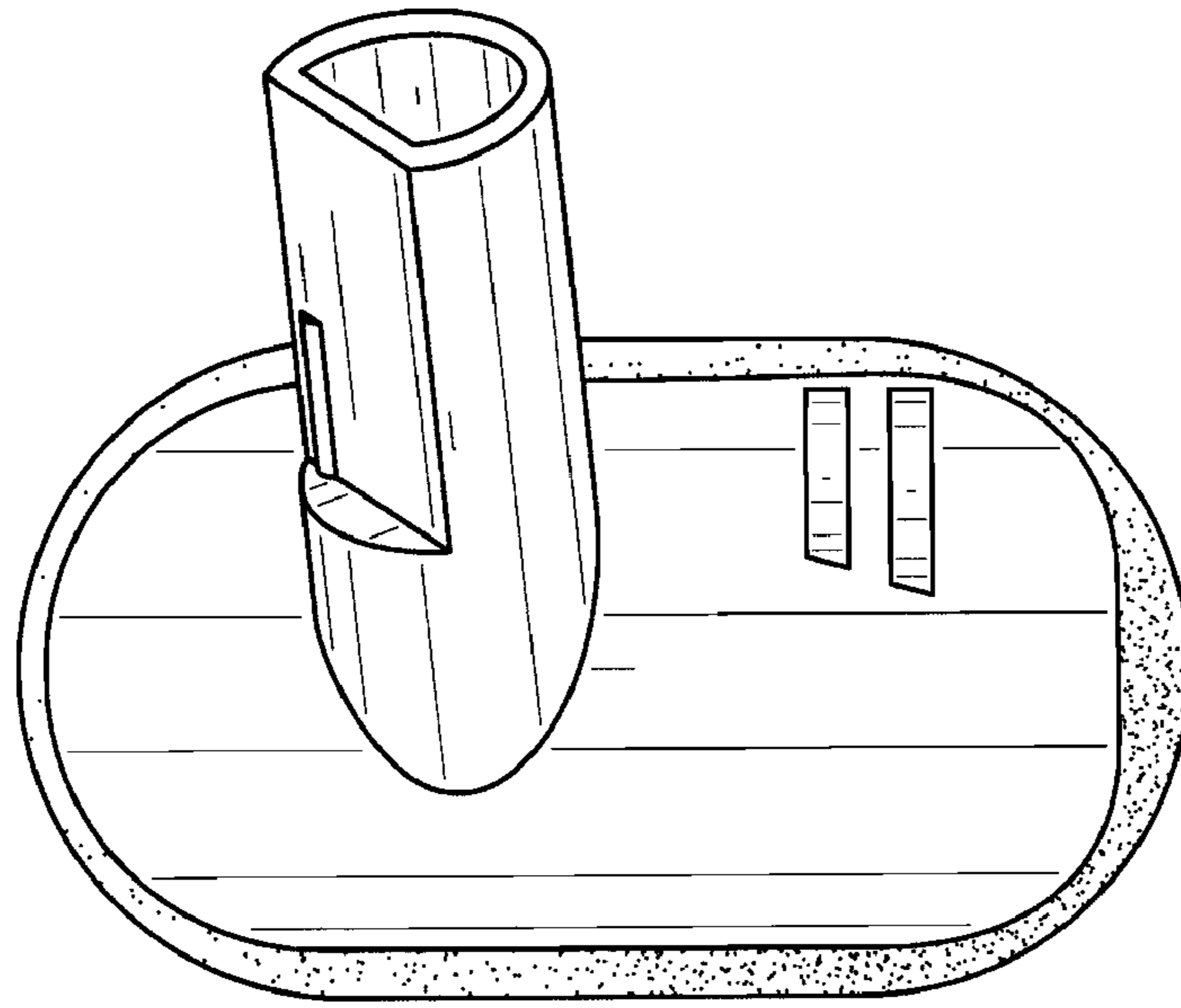


FIG. 13

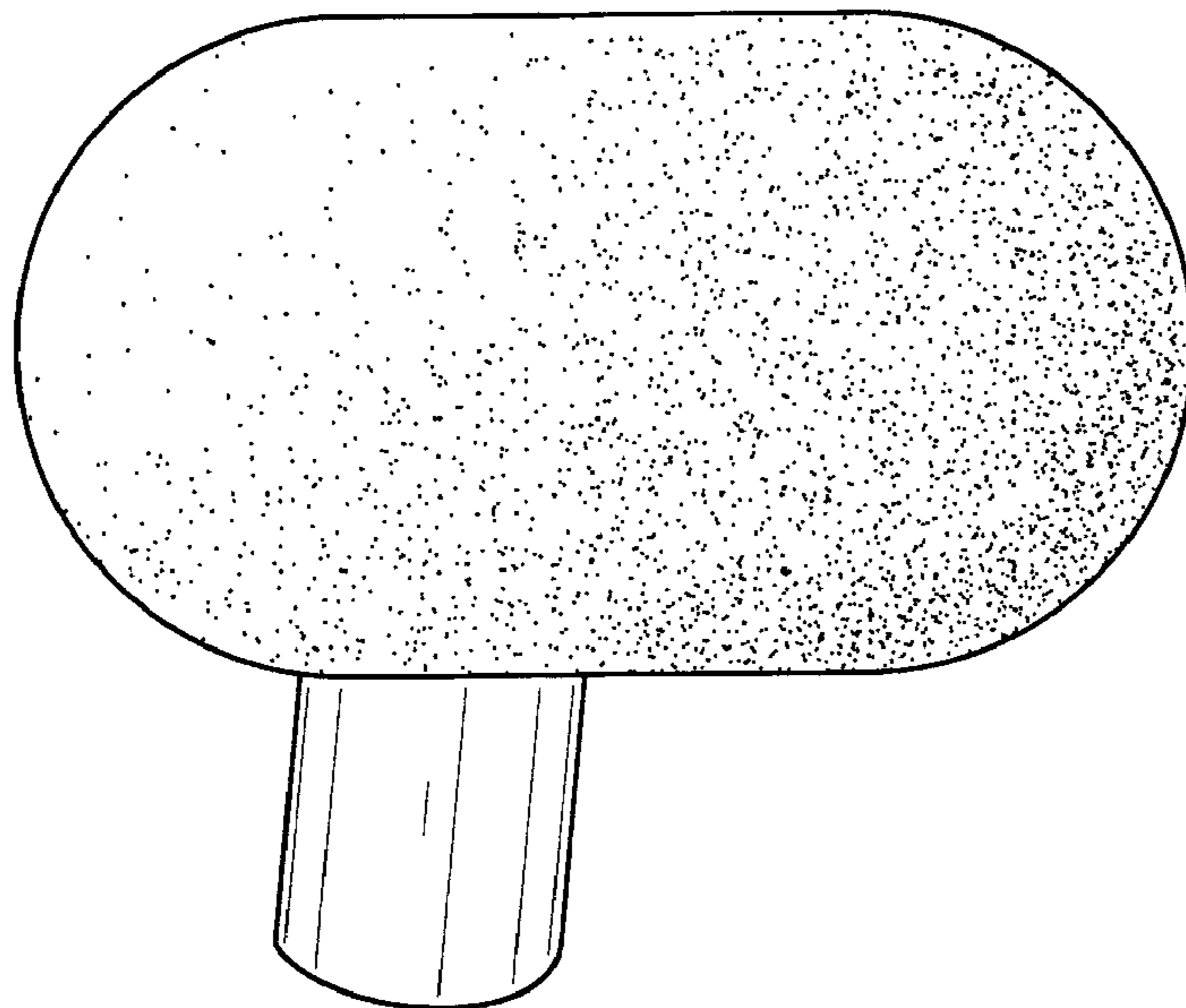


FIG. 14