



US00D634014S

(12) **United States Design Patent**
Noui

(10) **Patent No.:** **US D634,014 S**
(45) **Date of Patent:** **** Mar. 8, 2011**

(54) **DENTAL LAMP**

(75) Inventor: **Herve Noui**, Salles d'Aude (FR)

(73) Assignee: **Societe pour la Conception des Applications des Techniques Electroniques - SATELEC**, Merignac (FR)

(**) Term: **14 Years**

(21) Appl. No.: **29/287,780**

(22) Filed: **Sep. 19, 2007**

(30) **Foreign Application Priority Data**

Mar. 19, 2007 (EM) 000 691 506-0001

(51) **LOC (9) Cl.** **24-02**

(52) **U.S. Cl.** **D24/176; D26/43**

(58) **Field of Classification Search** D24/152, D24/107, 133, 147, 156, 176, 180, 182, 153; D26/43, 45, 33, 37-38, 41, 48, 50-51; D13/107-108; 435/141-142; 604/1; 606/2, 2.5, 28, 161; 433/2, 31, 35, 50, 53, 3, 114, 141, 144, 29, 433/215; 362/119, 800, 802; D8/80, 83
See application file for complete search history.

(56) **References Cited**

U.S. PATENT DOCUMENTS

4,818,231 A * 4/1989 Steiner et al. 433/215
5,139,421 A * 8/1992 Verderber 433/31
6,159,005 A * 12/2000 Herold et al. 433/29

6,200,134 B1 * 3/2001 Kovac et al. 433/29
6,719,559 B2 * 4/2004 Cao 433/29
6,755,648 B2 * 6/2004 Cao 433/29
D494,678 S * 8/2004 Kemeny et al. D24/152
D515,214 S * 2/2006 Jackson et al. D24/176
D515,215 S * 2/2006 Wang D24/176
D597,207 S * 7/2009 Kobayashi D24/152
D599,018 S * 8/2009 Plank et al. D24/152
2006/0008787 A1 * 1/2006 Hayman et al. 433/229
2006/0154209 A1 * 7/2006 Hayman et al. 433/215

* cited by examiner

Primary Examiner—Ian Simmons

Assistant Examiner—Wan Laymon

(74) *Attorney, Agent, or Firm*—Young & Thompson

(57) **CLAIM**

The ornamental design for a dental lamp, as shown.

DESCRIPTION

FIG. 1 is a front and side view of a dental lamp showing my new design;

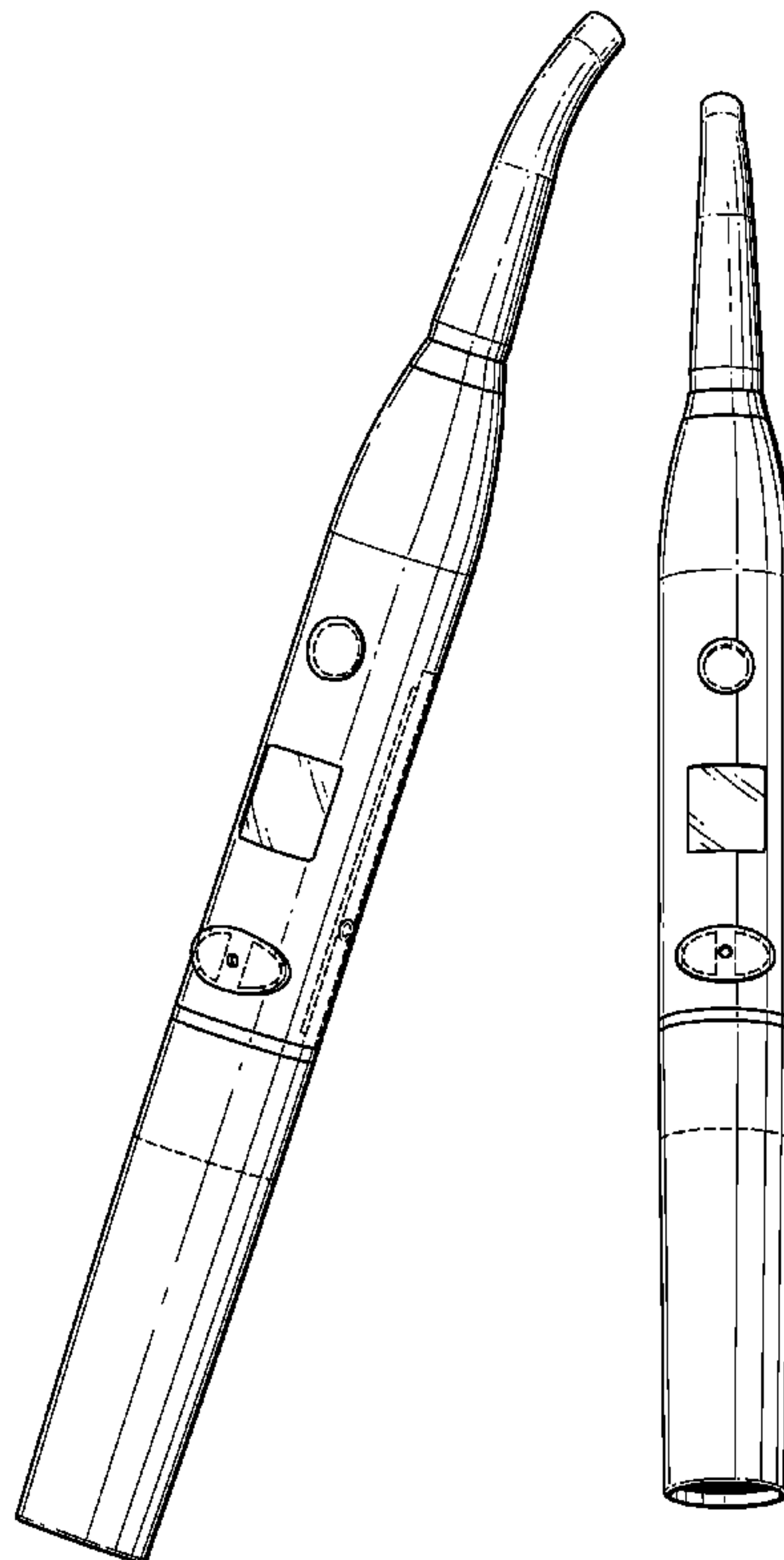
FIG. 2 is a front perspective view thereof;

FIG. 3 is a side elevational view thereof from the left of FIG. 2;

FIG. 4 is a side elevational view from the right of FIG. 2; and, FIG. 5 is a rear view thereof.

The broken lines showing portions of a dental lamp are included for illustrating environmental structure and form no part of the claimed design.

1 Claim, 5 Drawing Sheets



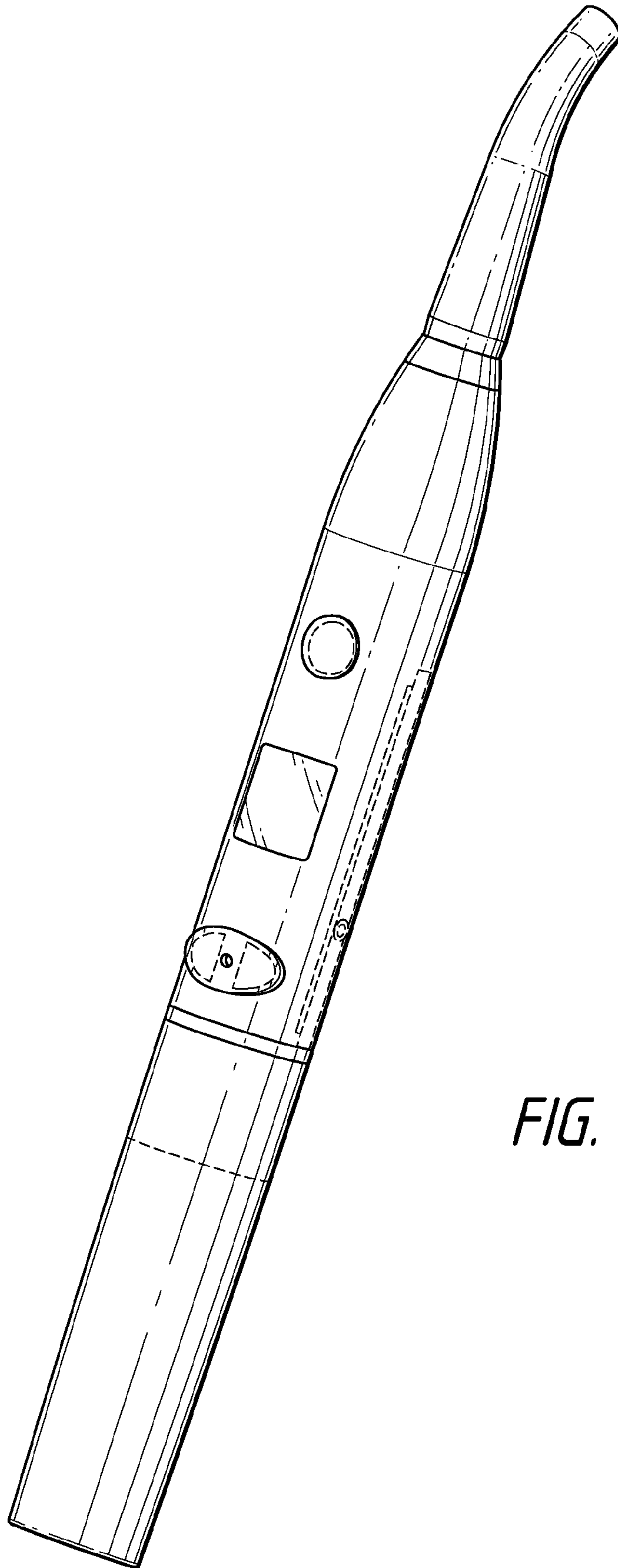


FIG. 1

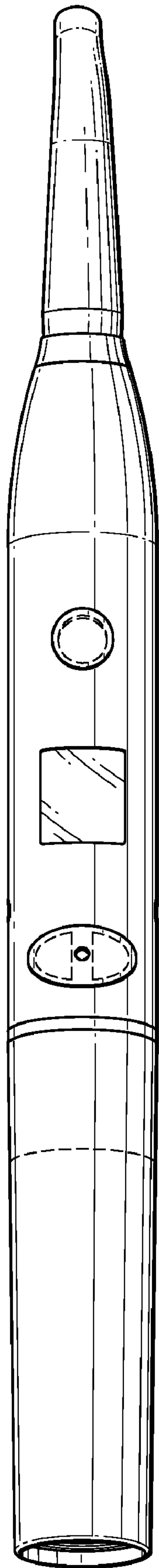


FIG. 2

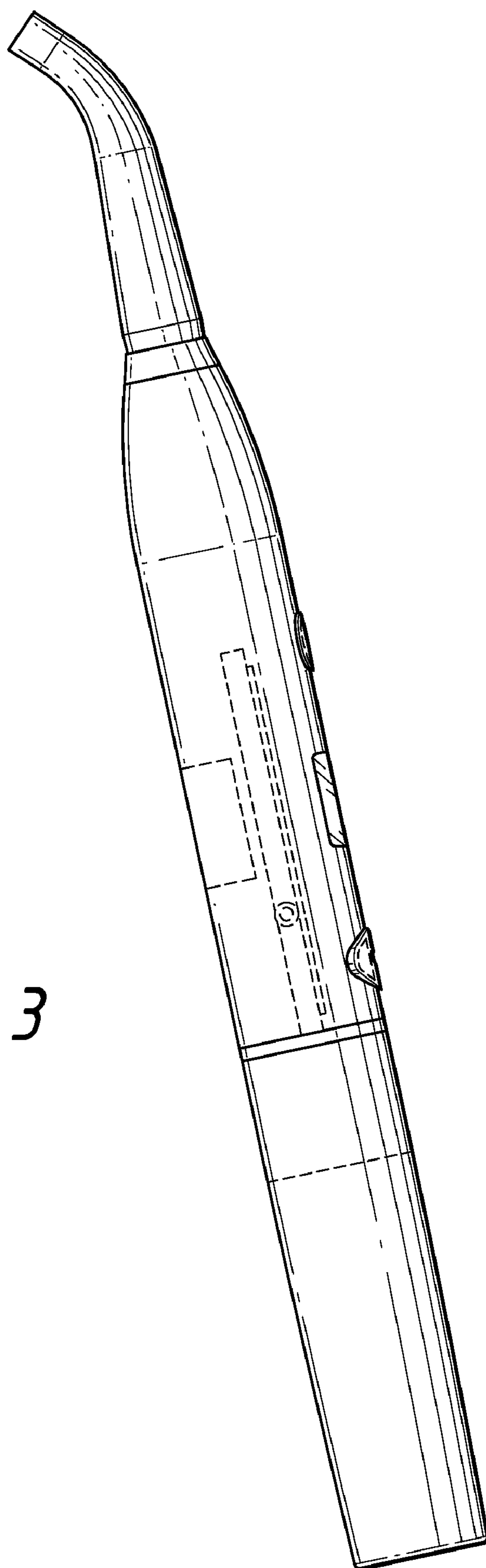


FIG. 3

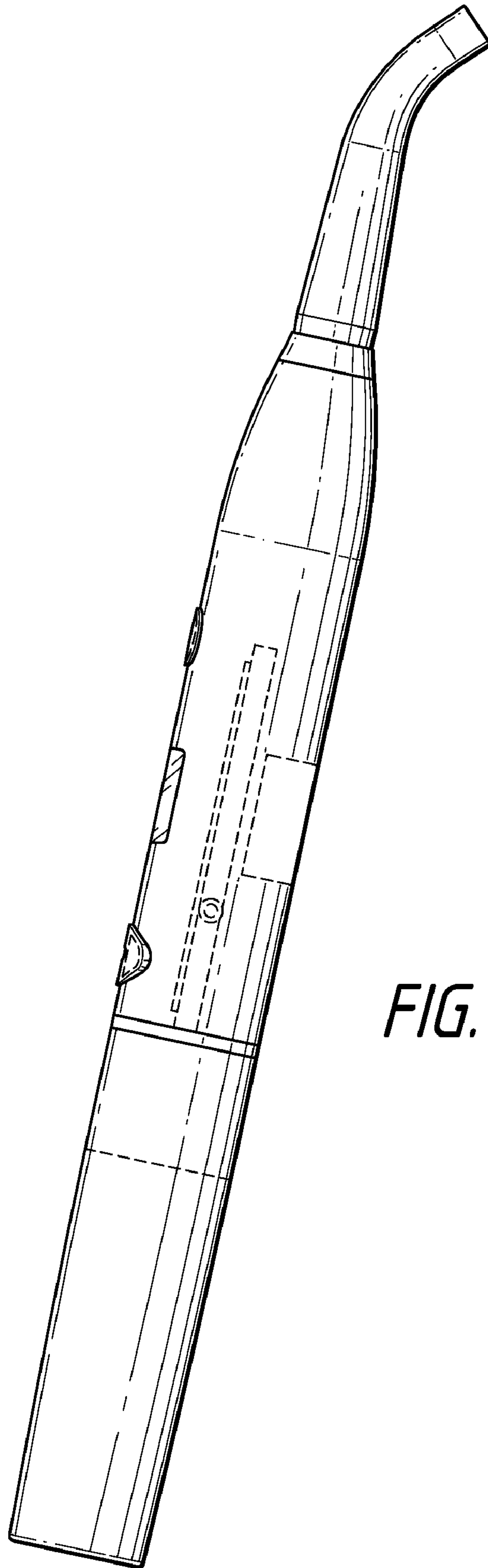


FIG. 4

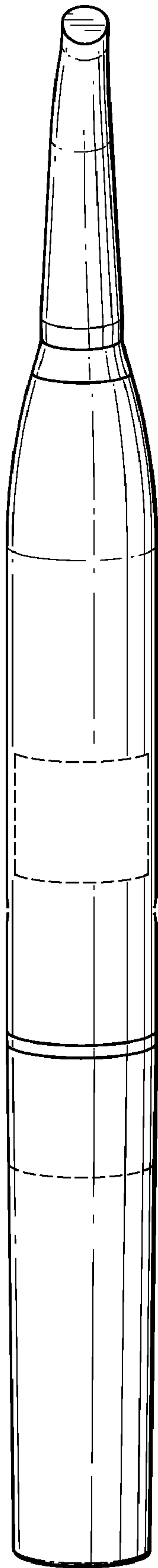


FIG. 5