



US00D634009S

(12) **United States Design Patent**
Lam et al.

(10) **Patent No.:** **US D634,009 S**
(45) **Date of Patent:** **** Mar. 8, 2011**

(54) **COLOR SCALE FOR PROVIDING
CONSULTATION OF SKIN CONDITION**

(75) Inventors: **Mei Ngor (Sandy) Lam**, Wanchau
(HK); **Hiromi Tabuchi**, Kobe (JP);
Takashi Yoshii, Yasu (JP)

(73) Assignee: **The Procter & Gamble Company**,
Cincinnati, OH (US)

(**) Term: **14 Years**

(21) Appl. No.: **29/293,380**

(22) Filed: **Nov. 20, 2007**

(51) **LOC (9) Cl.** **24-02**

(52) **U.S. Cl.** **D24/140**

(58) **Field of Classification Search** D24/140,
D24/186; D10/64, 65; 33/424, 511, 512,
33/513, 514

See application file for complete search history.

(56) **References Cited**

U.S. PATENT DOCUMENTS

4,406,285	A *	9/1983	Villasenor et al.	606/166
D379,657	S *	6/1997	Pretel et al.	D24/140
5,950,320	A *	9/1999	Dorsey	33/512
D430,296	S *	8/2000	Pretel et al.	D24/140
6,726,476	B2 *	4/2004	Jung et al.	433/26
6,767,330	B2 *	7/2004	Lavery et al.	600/549

7,401,413	B1 *	7/2008	Nelson	33/512
2007/0169364	A1 *	7/2007	Townsend et al.	33/512
2008/0086103	A1 *	4/2008	McKiernan et al.	604/385.02
2008/0274014	A1 *	11/2008	Jumonville et al.	422/57
2010/0205817	A1 *	8/2010	Nunes et al.	33/512

* cited by examiner

Primary Examiner — Charles A Rademaker

Assistant Examiner — Carissa C Fitts

(74) *Attorney, Agent, or Firm* — Eric Addington; S. Robert
Chuey; James Vago

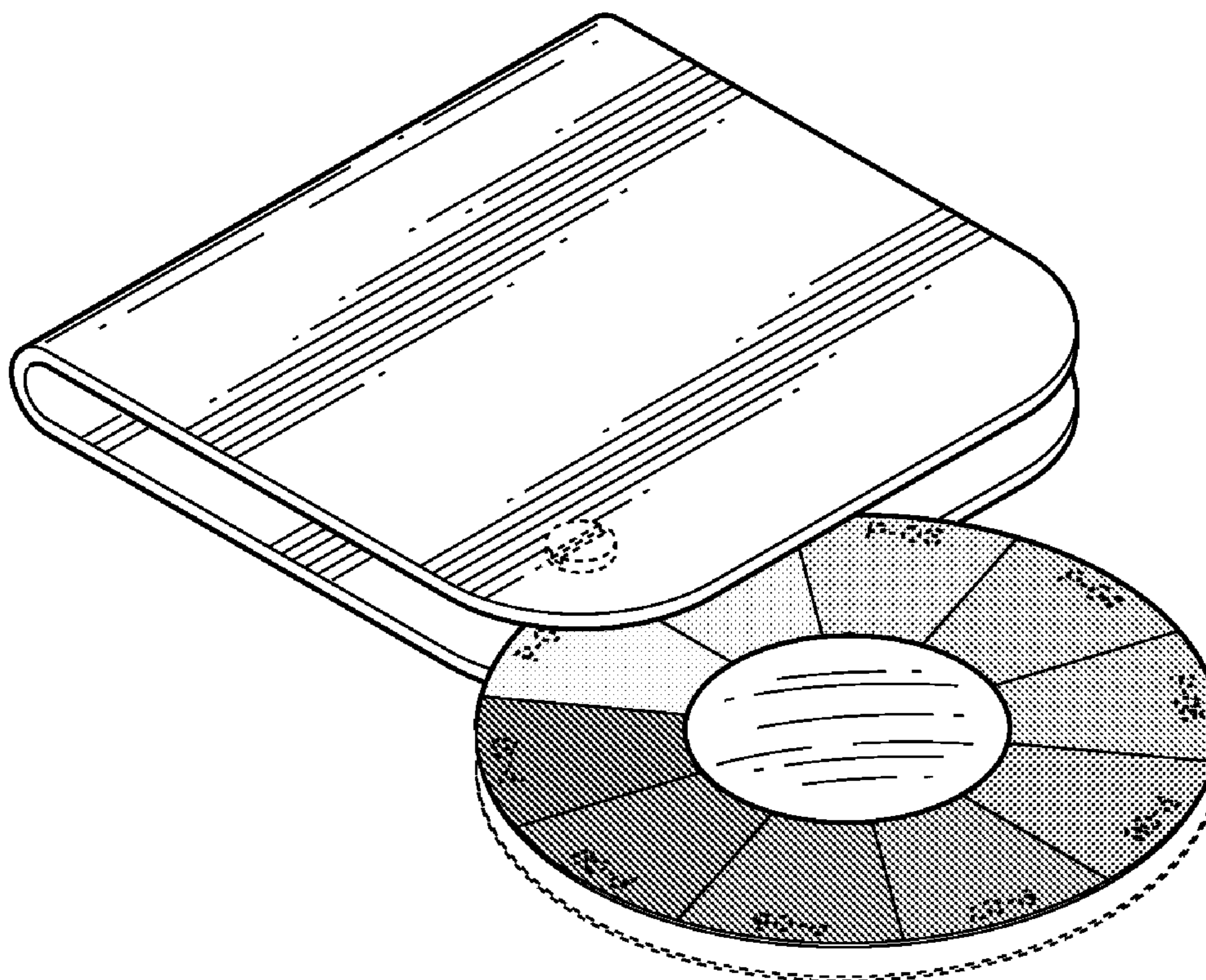
(57) **CLAIM**

The ornamental design for a color scale for providing consul-
tation of skin condition, as shown and described.

DESCRIPTION

FIG. 1 is a perspective view of a color scale for providing
consultation of skin condition showing our new design;
FIG. 2 is a front view thereof;
FIG. 3 is a back view thereof;
FIG. 4 is a top plan view thereof;
FIG. 5 is a left side view thereof;
FIG. 6 is a right side view thereof;
FIG. 7 is a cross sectional view thereof, taken along line 7—7;
and,
FIG. 8 is a perspective view thereof, in a closed position.
The broken line showing is for environmental purposes only
and forms no part of the claimed design.

1 Claim, 5 Drawing Sheets



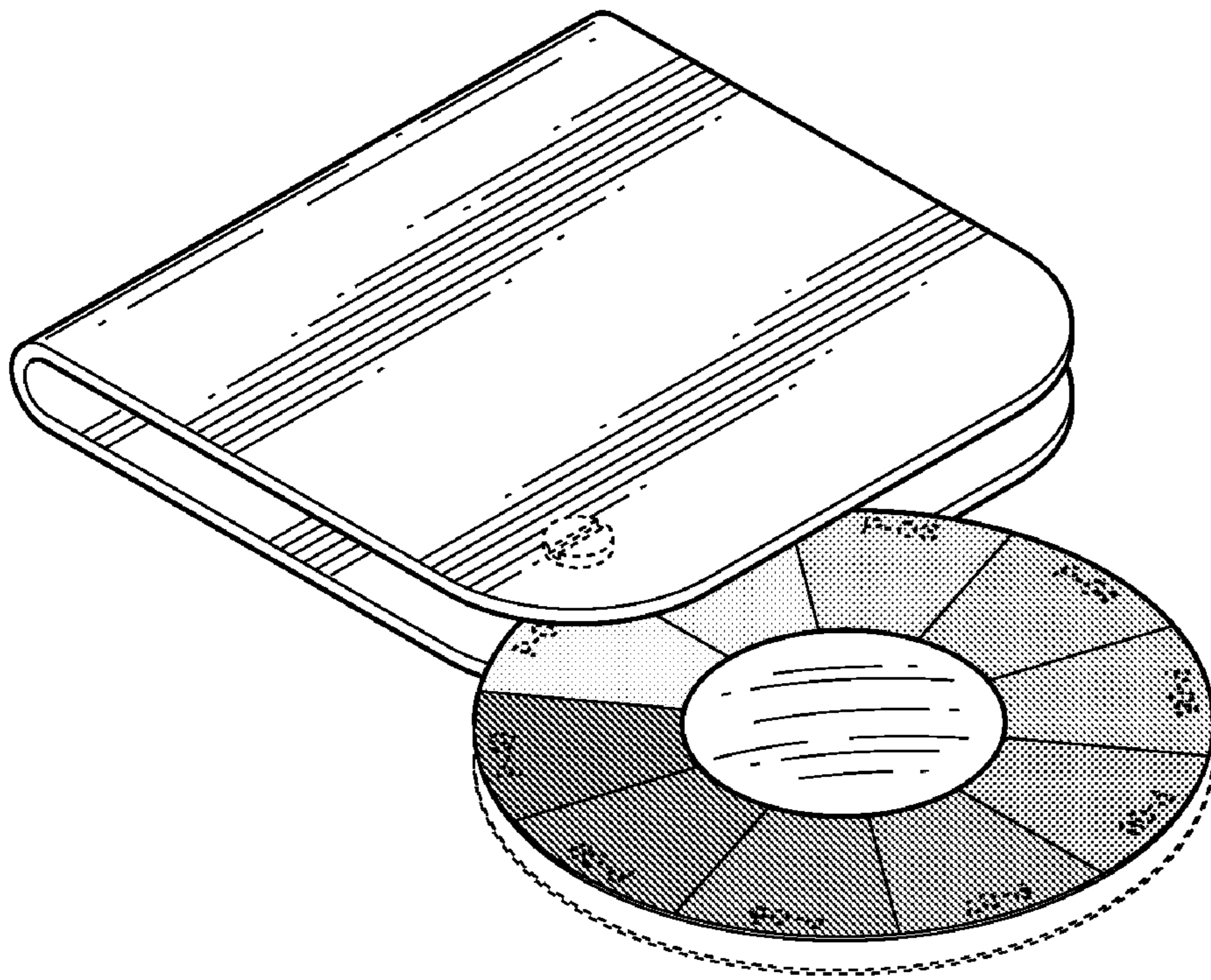


Fig. 1

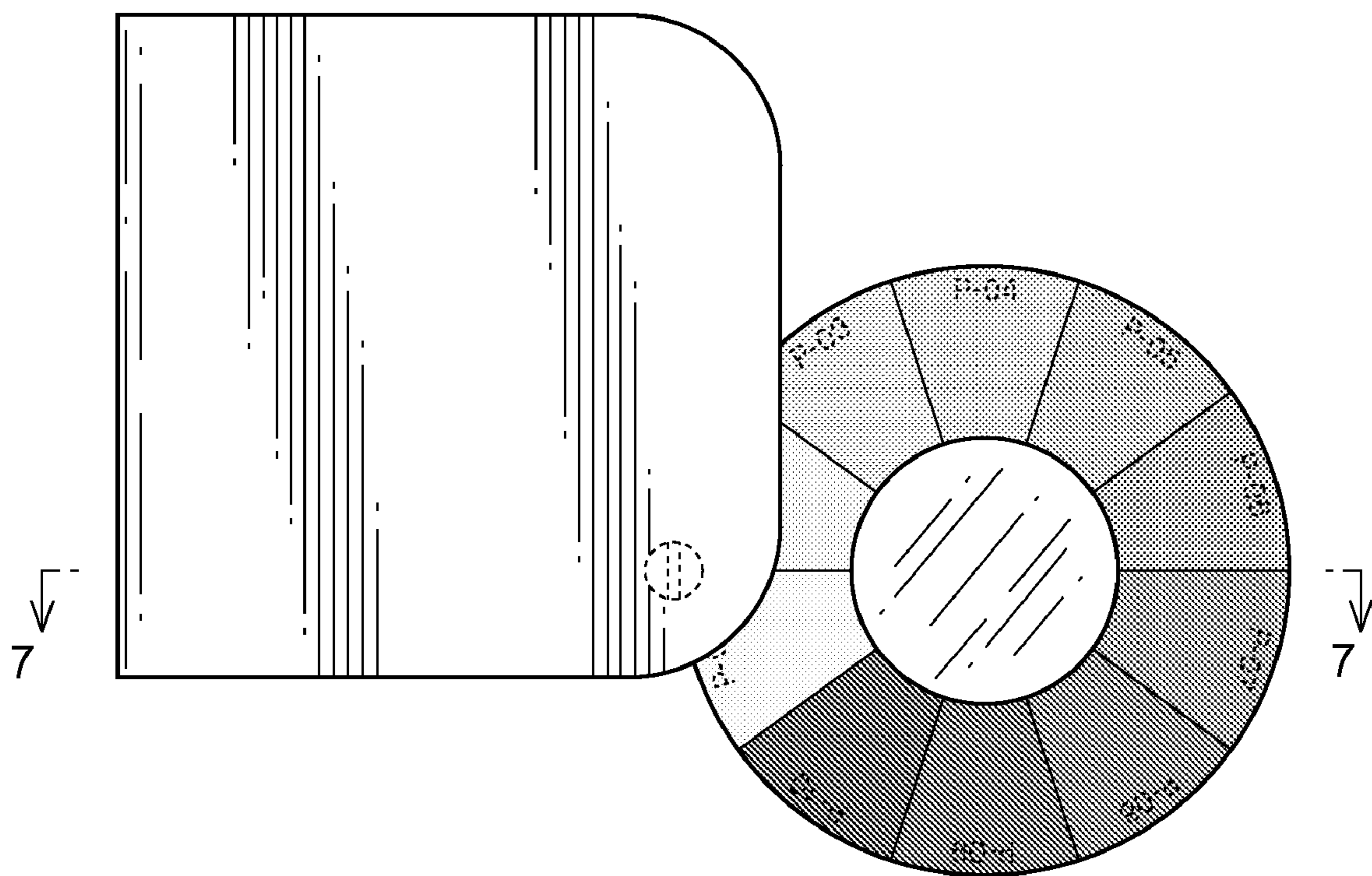


Fig. 2

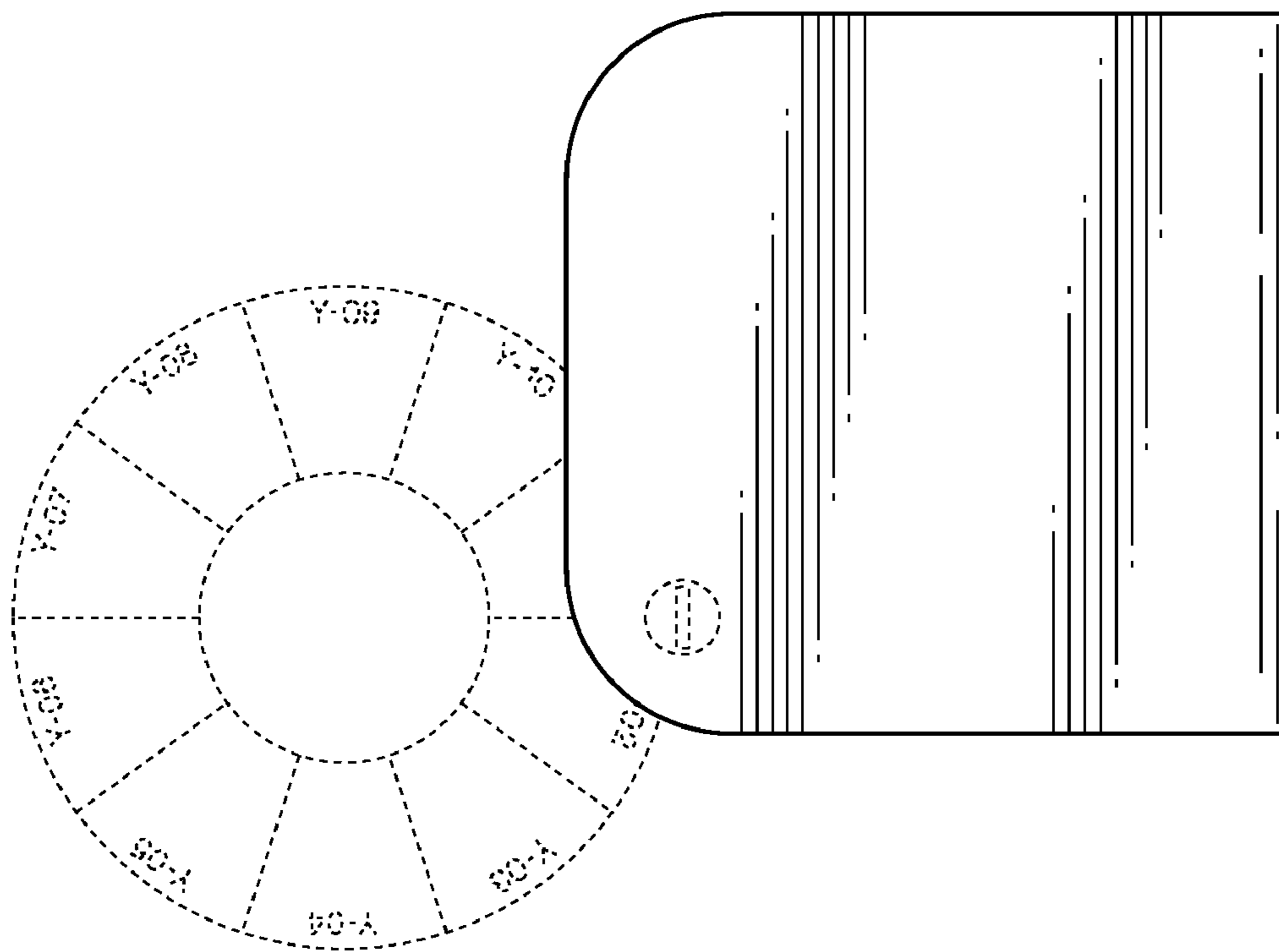


Fig. 3



Fig. 4

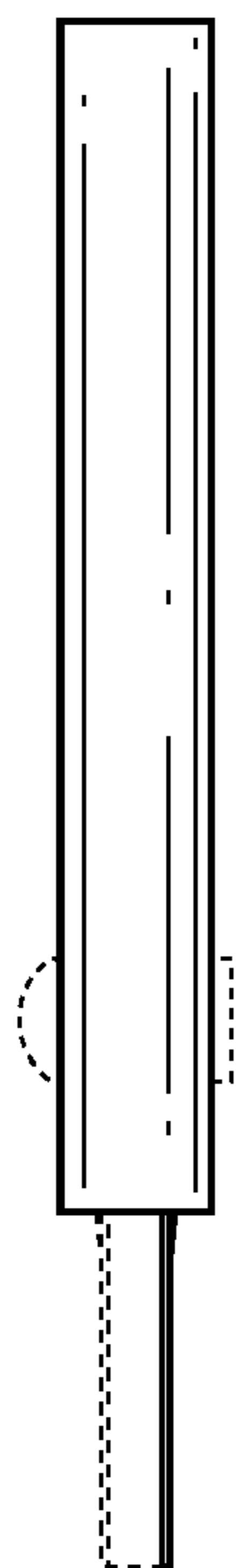


Fig. 5

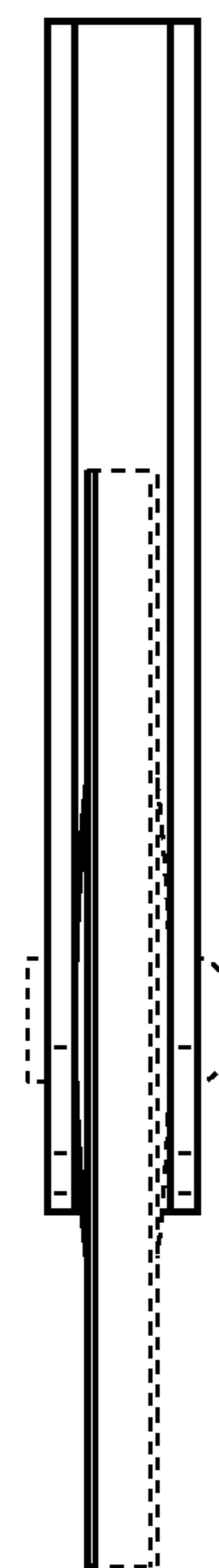


Fig. 6

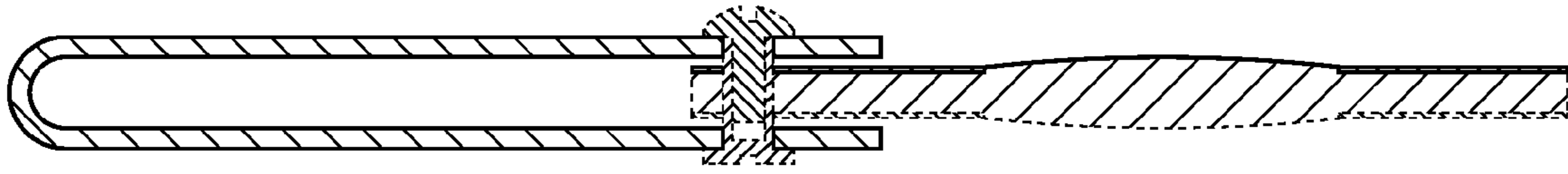


Fig. 7

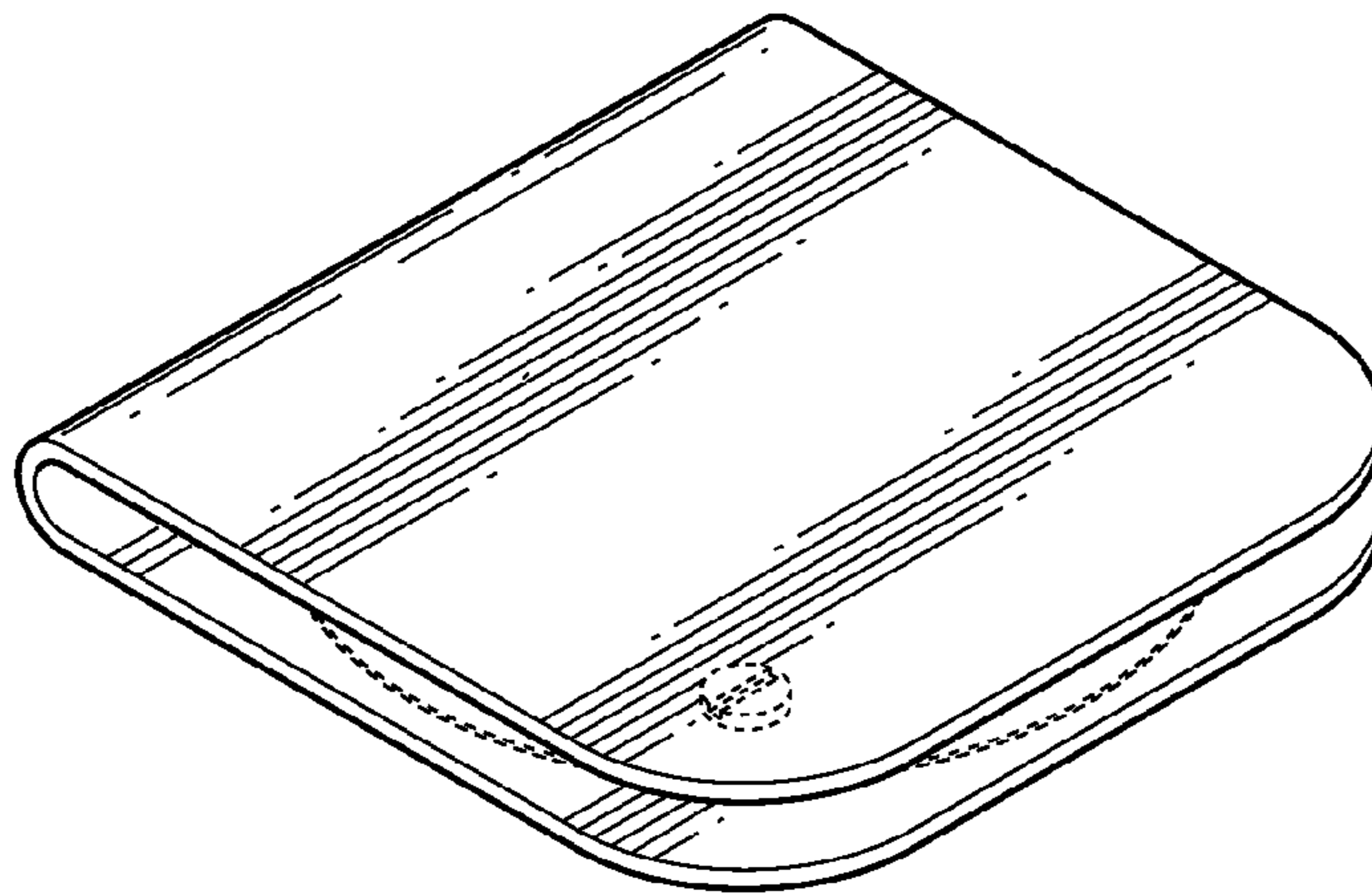


Fig. 8