



US00D634008S

(12) **United States Design Patent**
Tenger et al.

(10) **Patent No.:** **US D634,008 S**
(45) **Date of Patent:** **** *Mar. 8, 2011**

(54) **LARYNGOSCOPE BLADE**

6,809,499 B2 10/2004 Solingen
6,876,446 B2 4/2005 Taylor et al.

(75) Inventors: **James P. Tenger**, Carlsbad, CA (US);
Leslie A. Tenger, Carlsbad, CA (US);
John R. Hicks, Carlsbad, CA (US)

(Continued)

FOREIGN PATENT DOCUMENTS

(73) Assignee: **Intubrite, LLC**, Vista, CA (US)

KR 1020070044379 4/2007

(Continued)

(*) Notice: This patent is subject to a terminal disclaimer.

OTHER PUBLICATIONS

(**) Term: **14 Years**

International Search Report and Written Opinion for PCT/US08/074878 dated Mar. 19, 2009.

(21) Appl. No.: **29/352,455**

Primary Examiner—Bridget L Eland

(22) Filed: **Dec. 21, 2009**

(74) *Attorney, Agent, or Firm*—Stephen C. Beuerle; Procopio, Cory, Hargreaves & Savitch LLP

(51) **LOC (9) Cl.** **24-02**

(57) **CLAIM**

(52) **U.S. Cl.** **D24/137**

The ornamental design for a laryngoscope blade, as shown and described.

(58) **Field of Classification Search** D24/137,
D24/133, 135, 138; D8/34, 40; 600/185–200;
606/191–200

DESCRIPTION

See application file for complete search history.

FIG. 1 is a perspective view of a laryngoscope blade.

(56) **References Cited**

U.S. PATENT DOCUMENTS

D185,398 S	6/1959	Todt	
3,986,854 A *	10/1976	Scrivo et al.	65/410
D269,404 S *	6/1983	De Mars	D8/34
D271,135 S	10/1983	Greenblatt	
D297,363 S	8/1988	Salerno et al.	
4,782,819 A	11/1988	Adair	
D337,384 S *	7/1993	Schucman	D24/138
6,174,281 B1 *	1/2001	Abramowitz	600/196
D449,499 S	10/2001	Voges	
6,354,993 B1 *	3/2002	Kaplan et al.	600/188
6,459,919 B1	10/2002	Lys et al.	
6,569,089 B1	5/2003	Covington et al.	
D491,267 S	6/2004	Ashraf	

FIG. 2 is a top plan view of the laryngoscope blade.

FIG. 3 is a rear elevational view of the laryngoscope blade.

FIG. 4 is a right side elevational view of the laryngoscope blade.

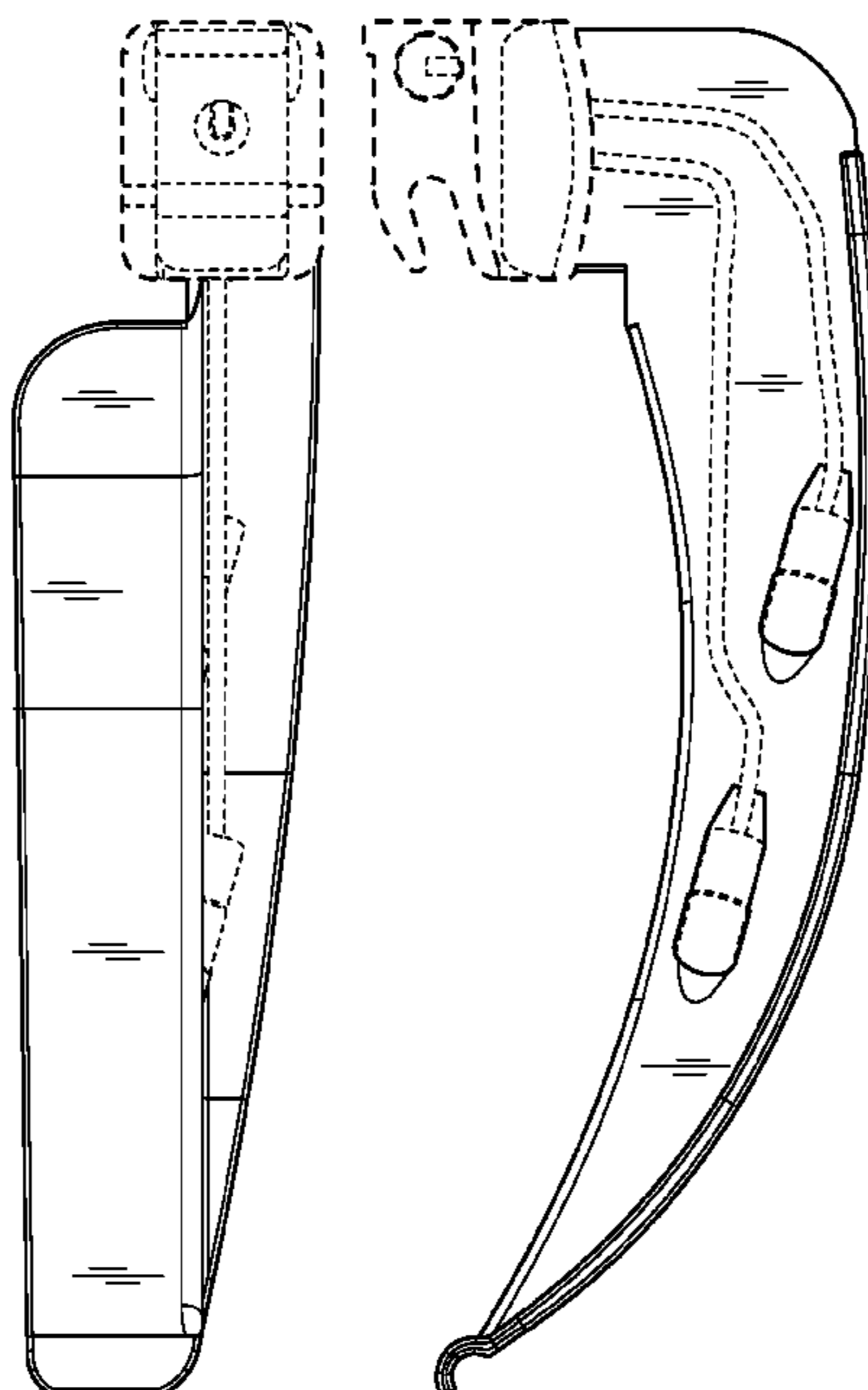
FIG. 5 is a left side elevational view of the laryngoscope blade.

FIG. 6 is a bottom plan view of the laryngoscope blade; and,

FIG. 7 is a front elevational view of the laryngoscope blade.

The broken lines shown in FIGS. 1-7 are included for the purpose of illustrating environmental elements only and form no part of the claimed design.

1 Claim, 3 Drawing Sheets



US D634,008 S

Page 2

U.S. PATENT DOCUMENTS

6,890,298 B2 * 5/2005 Berci et al. 600/185
D512,778 S 12/2005 Ashraf
7,052,456 B2 5/2006 Simon
D541,937 S 5/2007 Yee
D547,449 S 7/2007 Ashraf
D550,841 S 9/2007 Berci et al.
D554,255 S 10/2007 Iqbal
7,308,296 B2 12/2007 Lys et al.
D559,982 S 1/2008 Iqbal
D581,532 S 11/2008 Cranton et al.
7,611,459 B2 * 11/2009 Geist et al. 600/199
D608,889 S * 1/2010 Tenger et al. D24/137

D609,808 S * 2/2010 Tenger et al. D24/137
2003/0191459 A1 10/2003 Ganz et al.
2005/0240081 A1 * 10/2005 Eliachar 600/199
2006/0069314 A1 3/2006 Farr
2007/0276185 A1 11/2007 Gono et al.
2007/0276191 A1 11/2007 Selover et al.
2008/0015560 A1 1/2008 Gowda et al.
2008/0045800 A2 2/2008 Farr
2010/0152541 A1 * 6/2010 Tenger et al. 600/194

FOREIGN PATENT DOCUMENTS

WO WO93/01170 6/1993

* cited by examiner

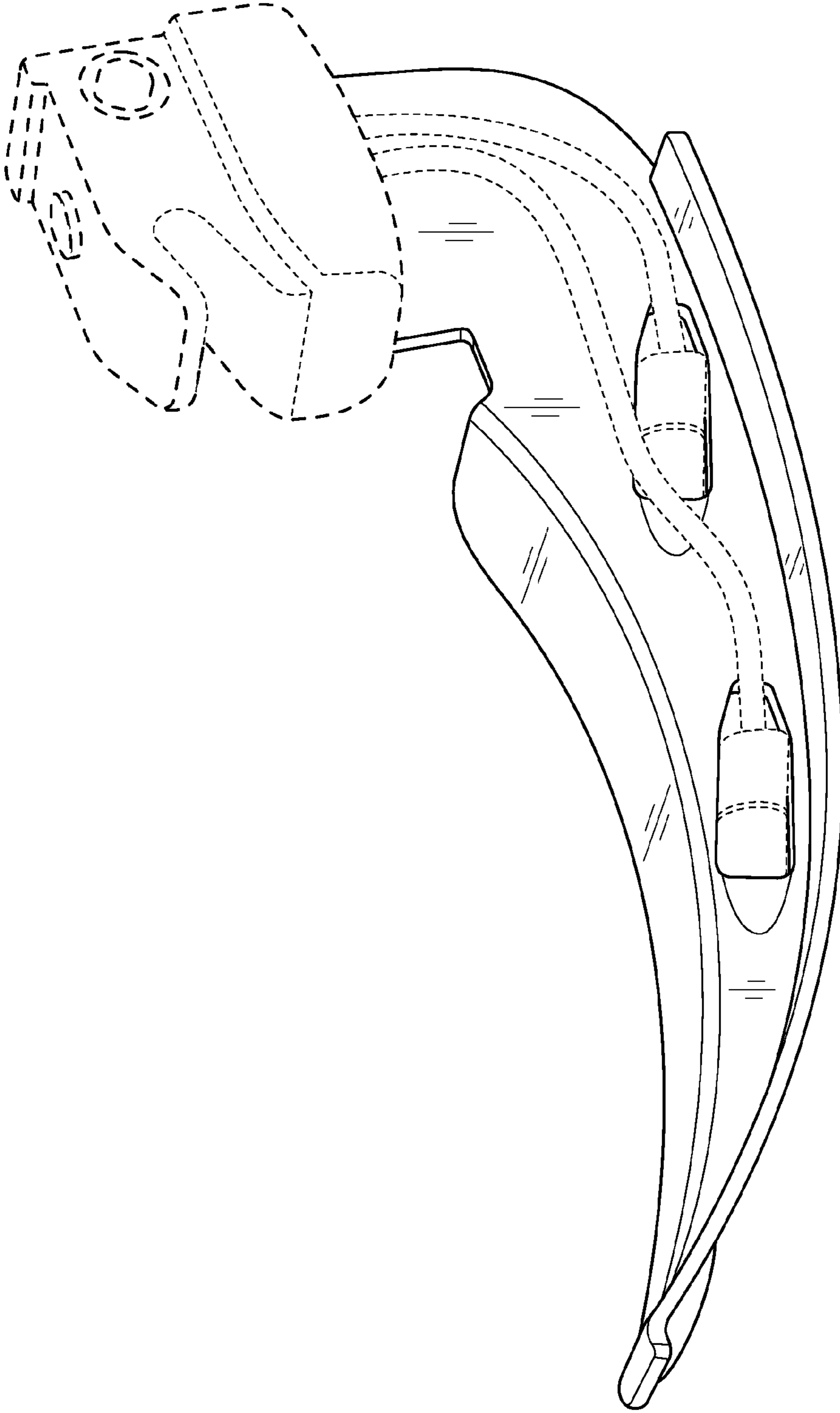


FIG. 1

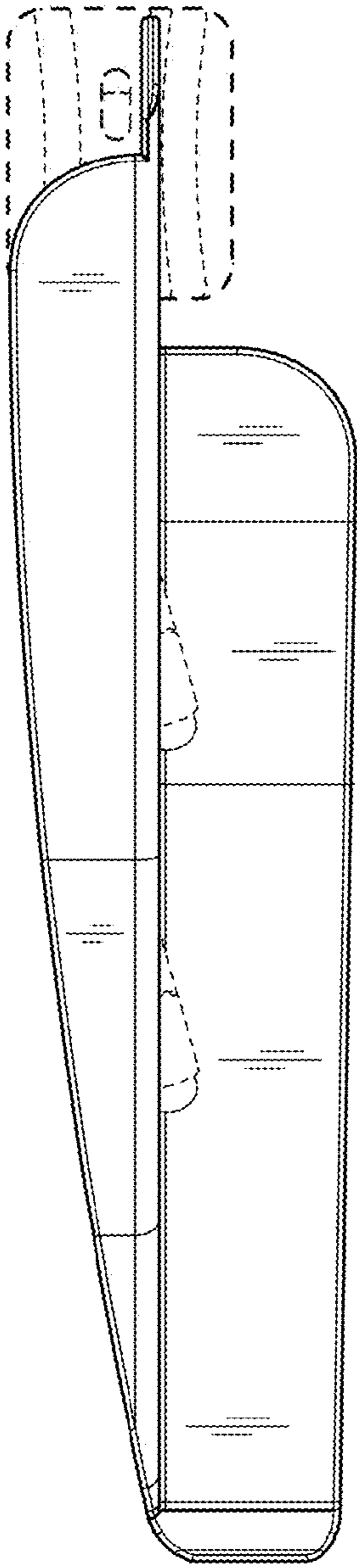


FIG. 2

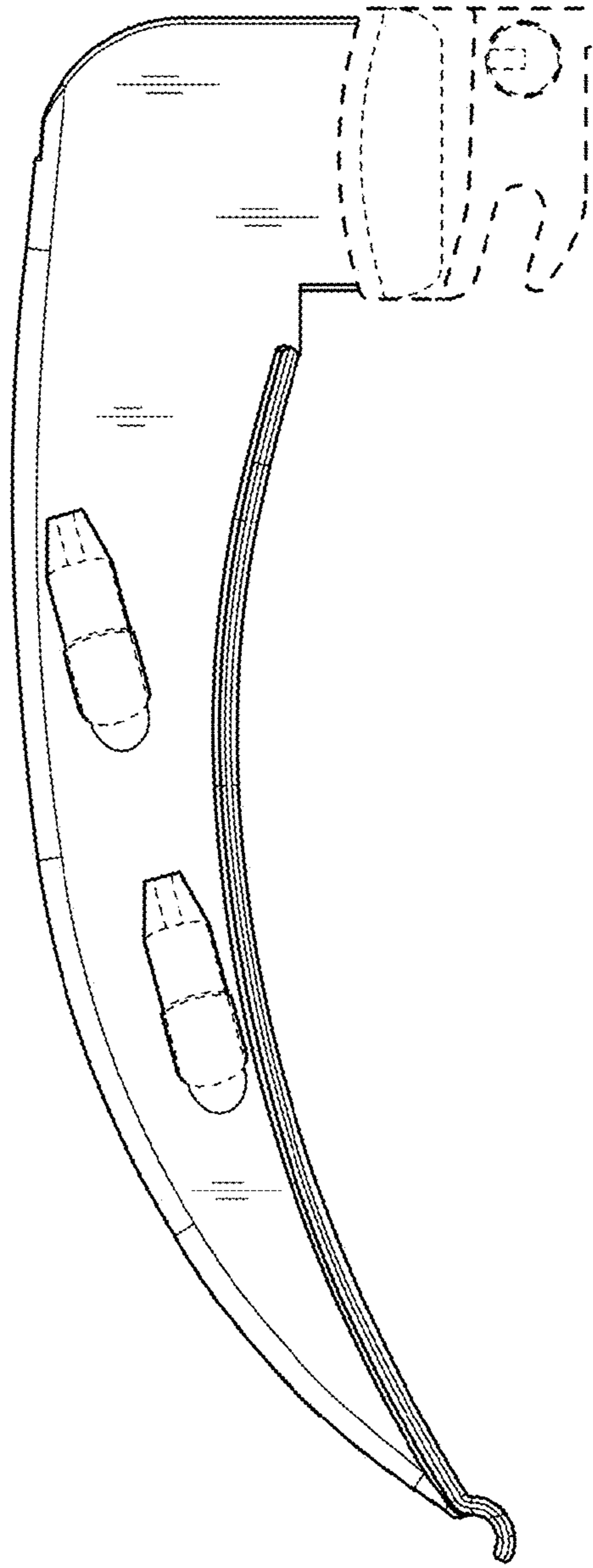


FIG. 3

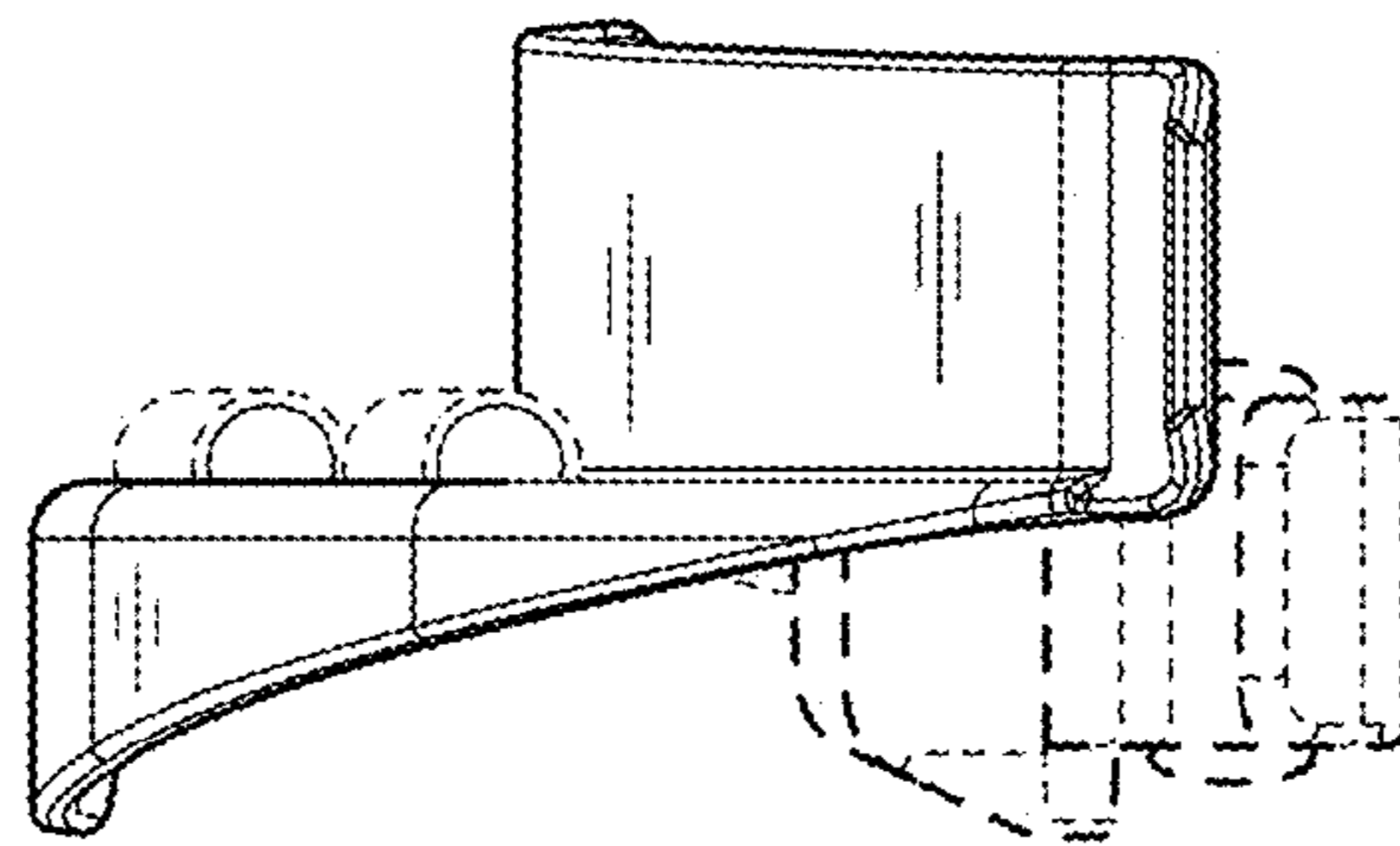


FIG. 4

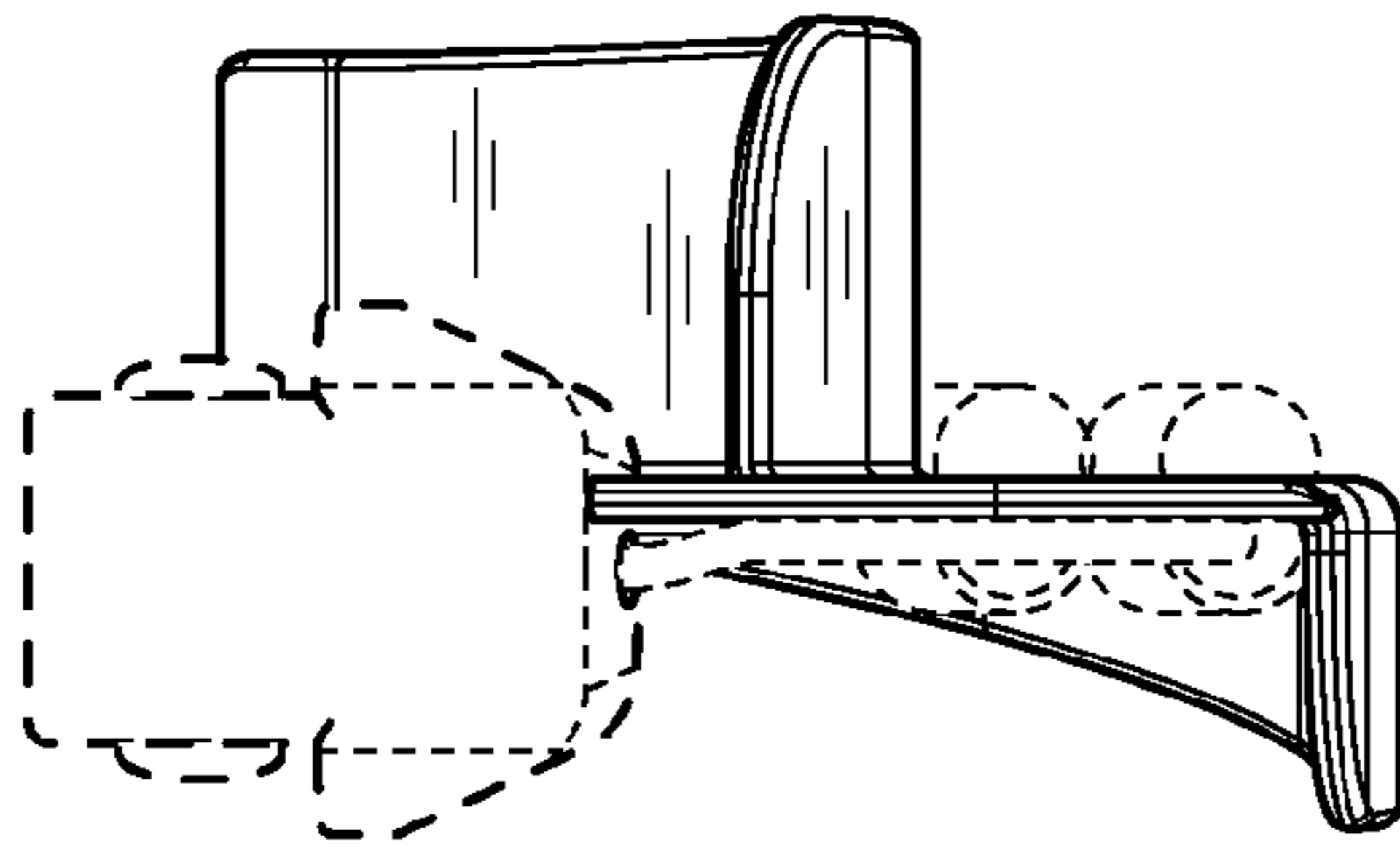


FIG. 5

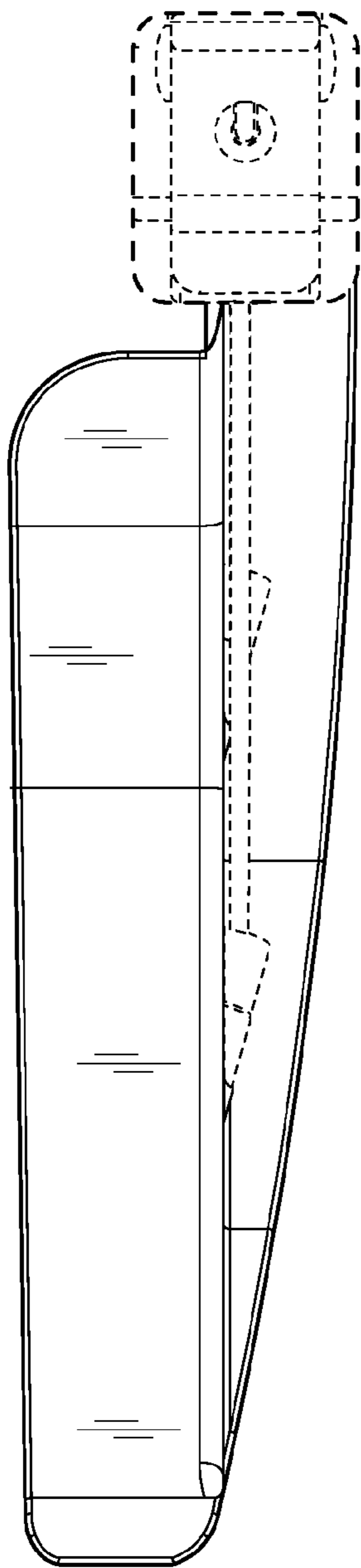


FIG. 6

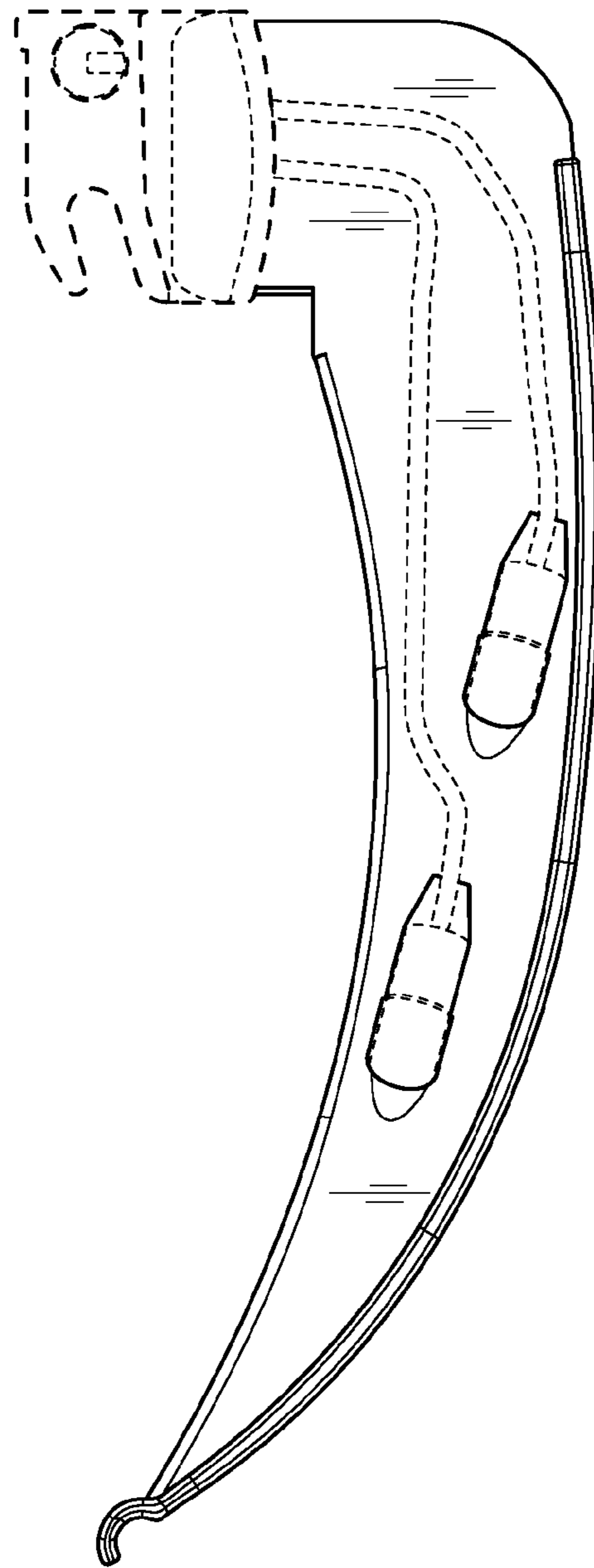


FIG. 7