



(12) **United States Design Patent**
Nishikura et al.

(10) **Patent No.:** **US D634,000 S**
(45) **Date of Patent:** **** Mar. 8, 2011**

(54) **AIR CIRCULATOR**

(75) Inventors: **Yoshihide Nishikura**, Aichi Prefecture (JP); **Yuji Mizukami**, Aichi Prefecture (JP)

(73) Assignee: **Toyotomi Co., Ltd.**, Nagoya-shi (JP)

(**) Term: **14 Years**

(21) Appl. No.: **29/367,467**

(22) Filed: **Aug. 9, 2010**

(30) **Foreign Application Priority Data**

Feb. 10, 2010 (JP) 2010-002999

(51) **LOC (9) Cl.** **23-04**

(52) **U.S. Cl.** **D23/382**

(58) **Field of Classification Search** D23/382,
D23/381, 332, 370, 411, 412; 416/246 R,
416/247 R, 244 R

See application file for complete search history.

(56) **References Cited**

U.S. PATENT DOCUMENTS

D353,660 S	*	12/1994	Cunning	D23/382
D433,117 S	*	10/2000	Wolfe	D23/411
D483,852 S	*	12/2003	Wong	D23/382
D599,463 S	*	9/2009	Israel et al.	D23/382
D605,280 S	*	12/2009	Chen	D23/382

* cited by examiner

Primary Examiner—Lisa P Lichtenstein
(74) *Attorney, Agent, or Firm*—Rankin, Hill & Clark LLP

(57) **CLAIM**

We claim the ornamental design for an air circulator, as shown and described.

DESCRIPTION

FIG. 1 is a front side elevation view of an air circulator embodying our design;

FIG. 2 is a rear side elevation view of the air circulator shown in FIG. 1;

FIG. 3 is a right side elevation view of the air circulator shown in FIG. 1;

FIG. 4 is a left side elevation view of the air circulator shown in FIG. 1;

FIG. 5 is top plan view of the air circulator shown in FIG. 1;

FIG. 6 is a bottom plan view of the air circulator shown in FIG. 1;

FIG. 7 is a cross sectional view taken along line 7—7 in FIG. 1, and omitting the interior mechanism;

FIG. 8 is a cross sectional view taken along line 8—8 in FIG. 1, omitting the interior mechanism; and,

FIG. 9 is a perspective view of the air circulator.

The broken line showing of a base and controls is included for the purpose of illustrating environmental structure and forms no part of the claimed design.

1 Claim, 9 Drawing Sheets

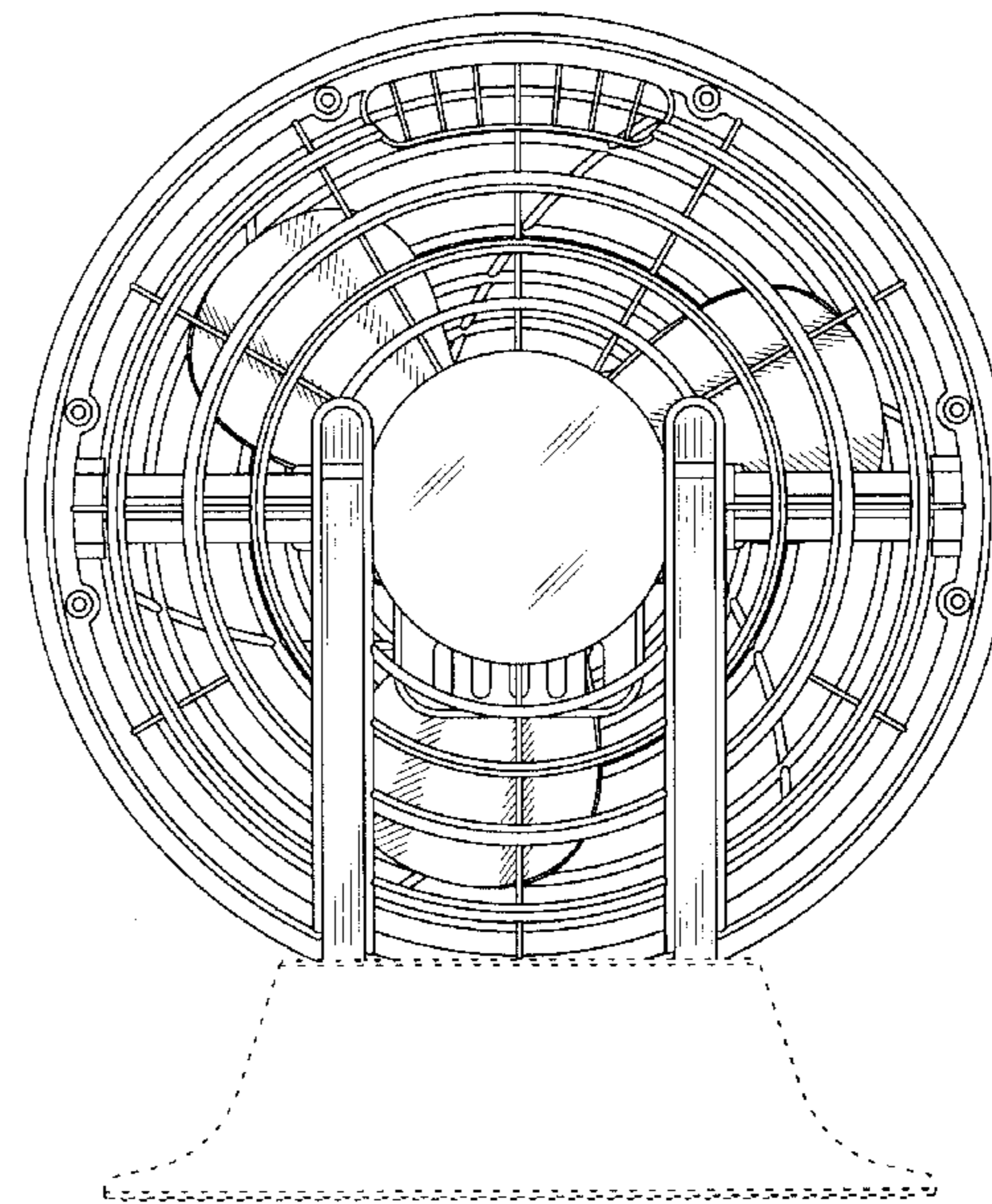
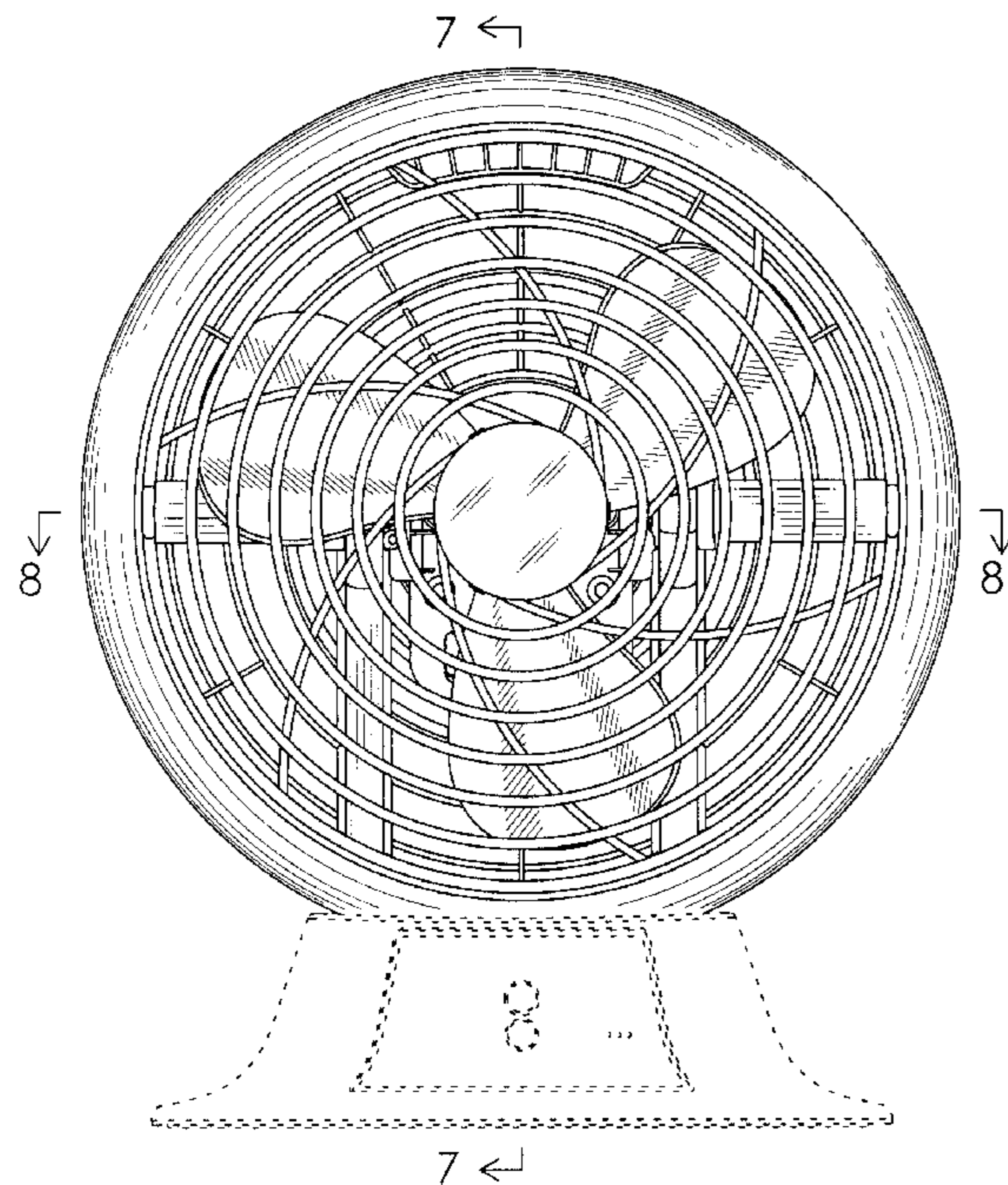


FIG. 1

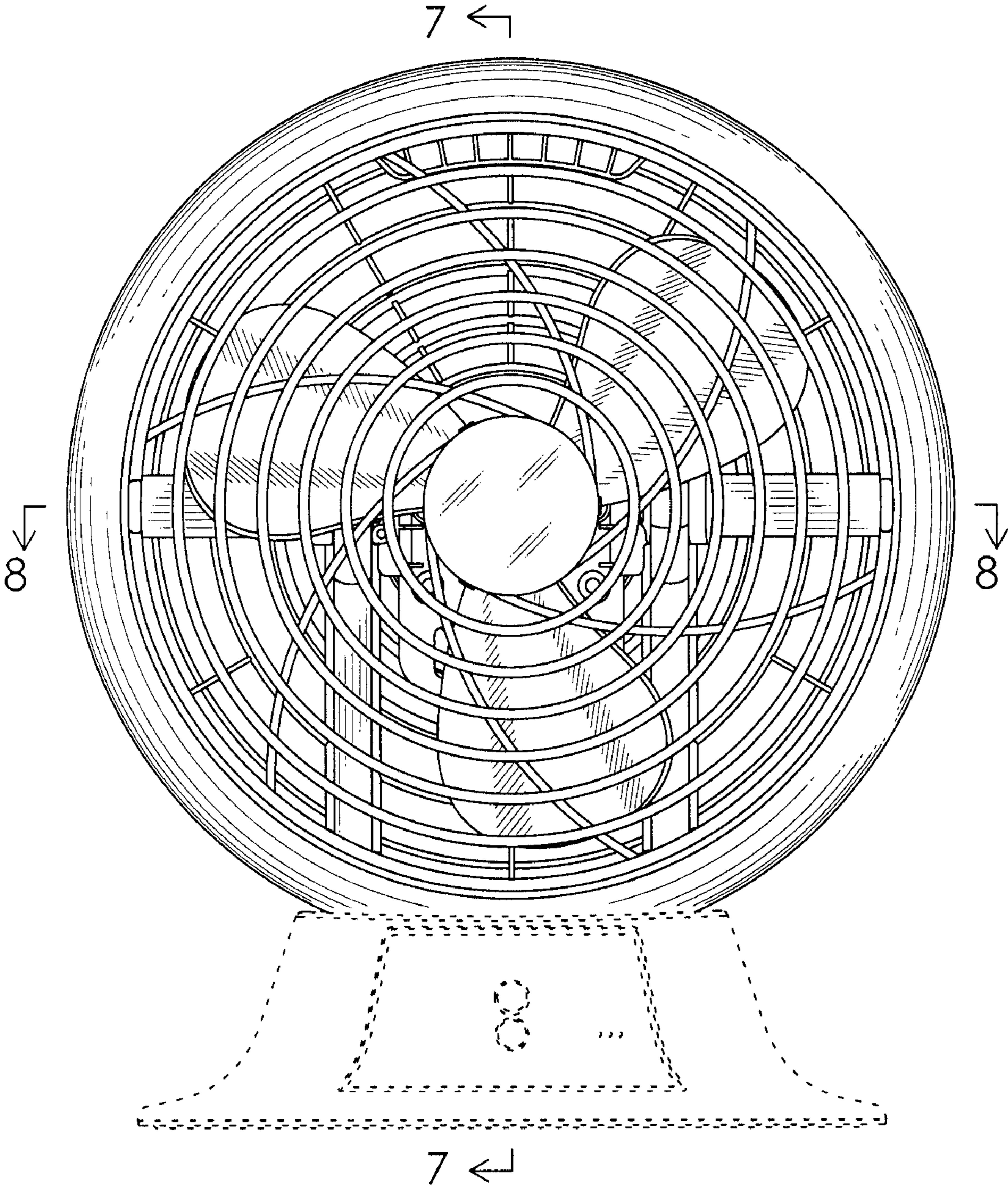


FIG.2

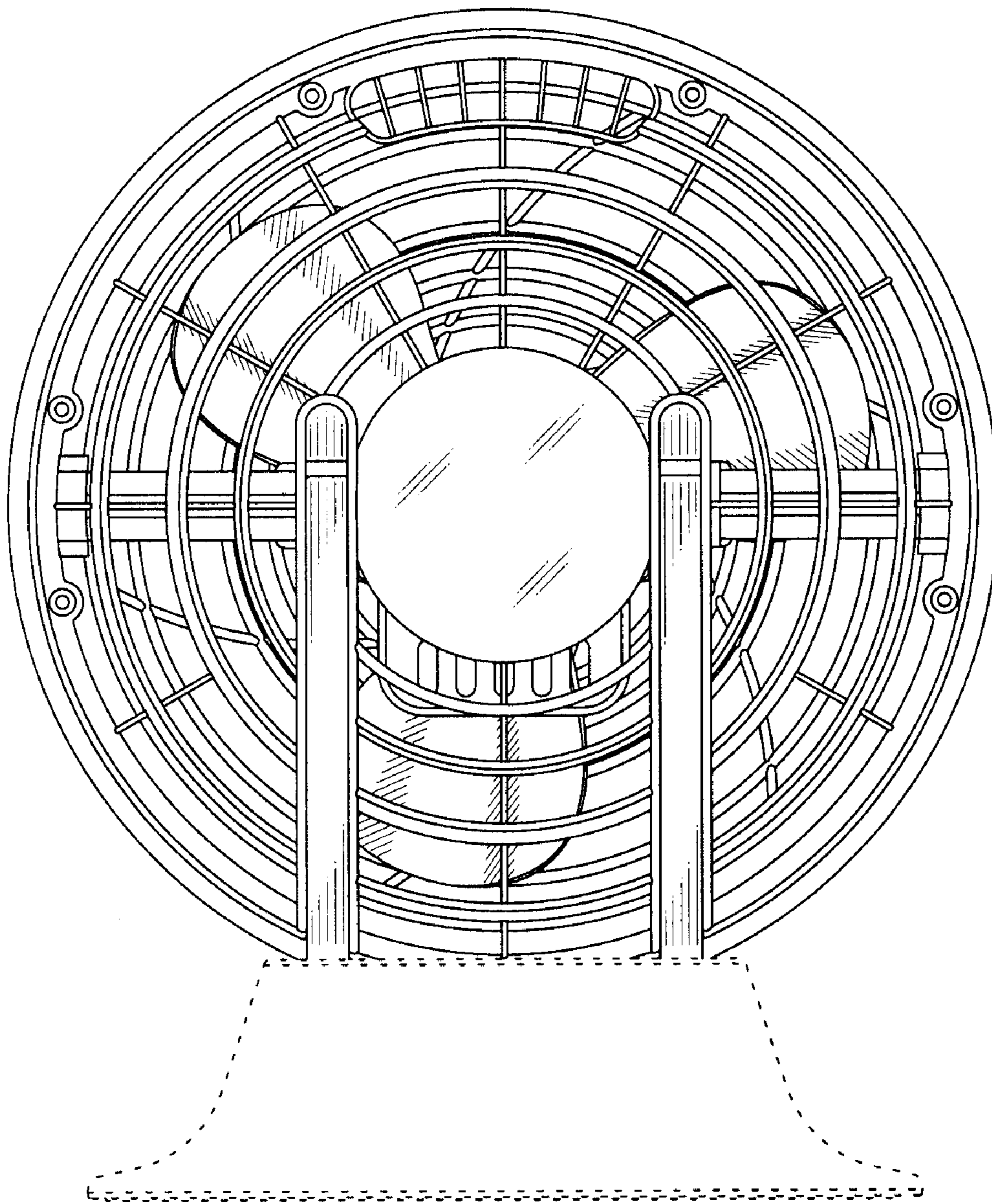


FIG.3

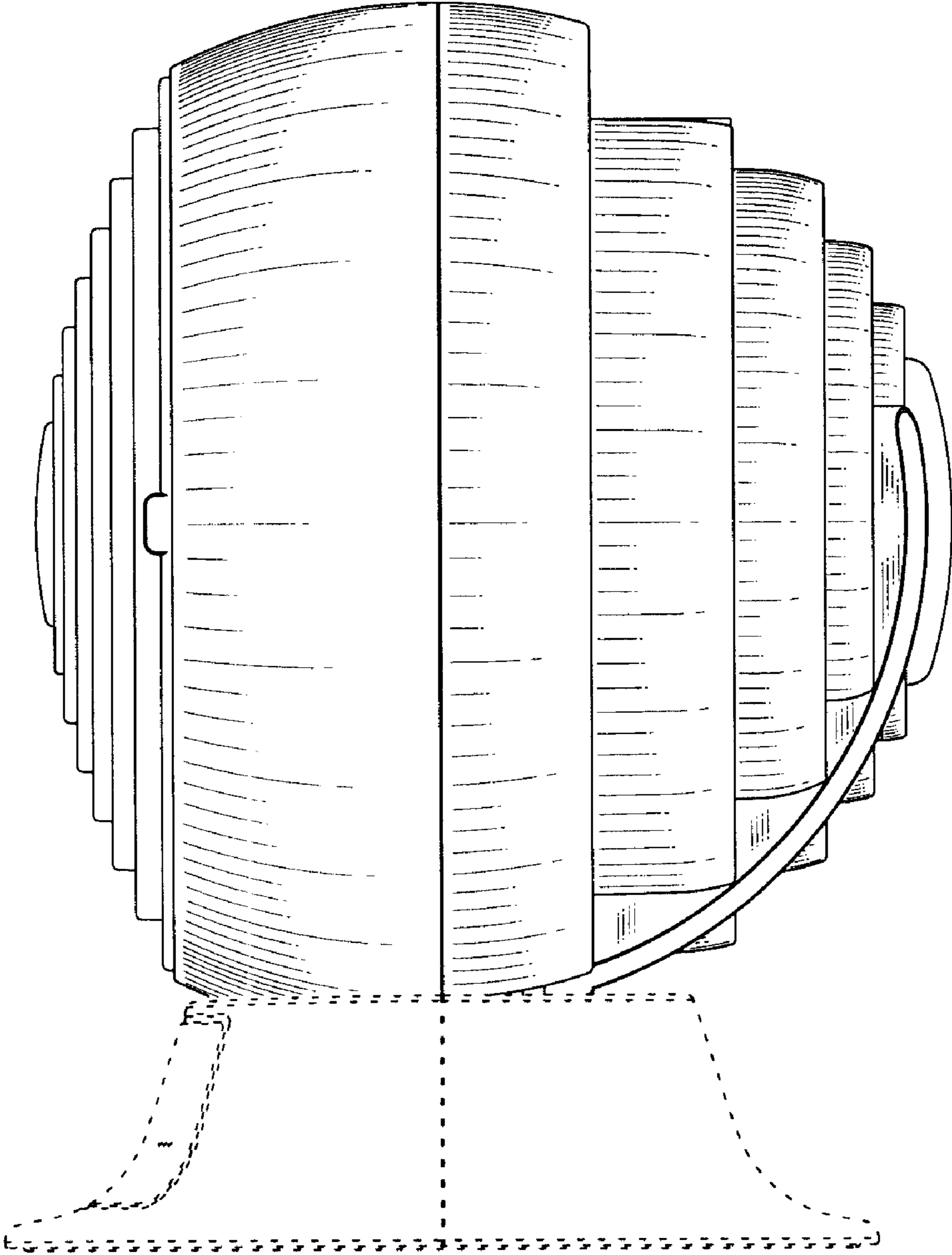


FIG.4

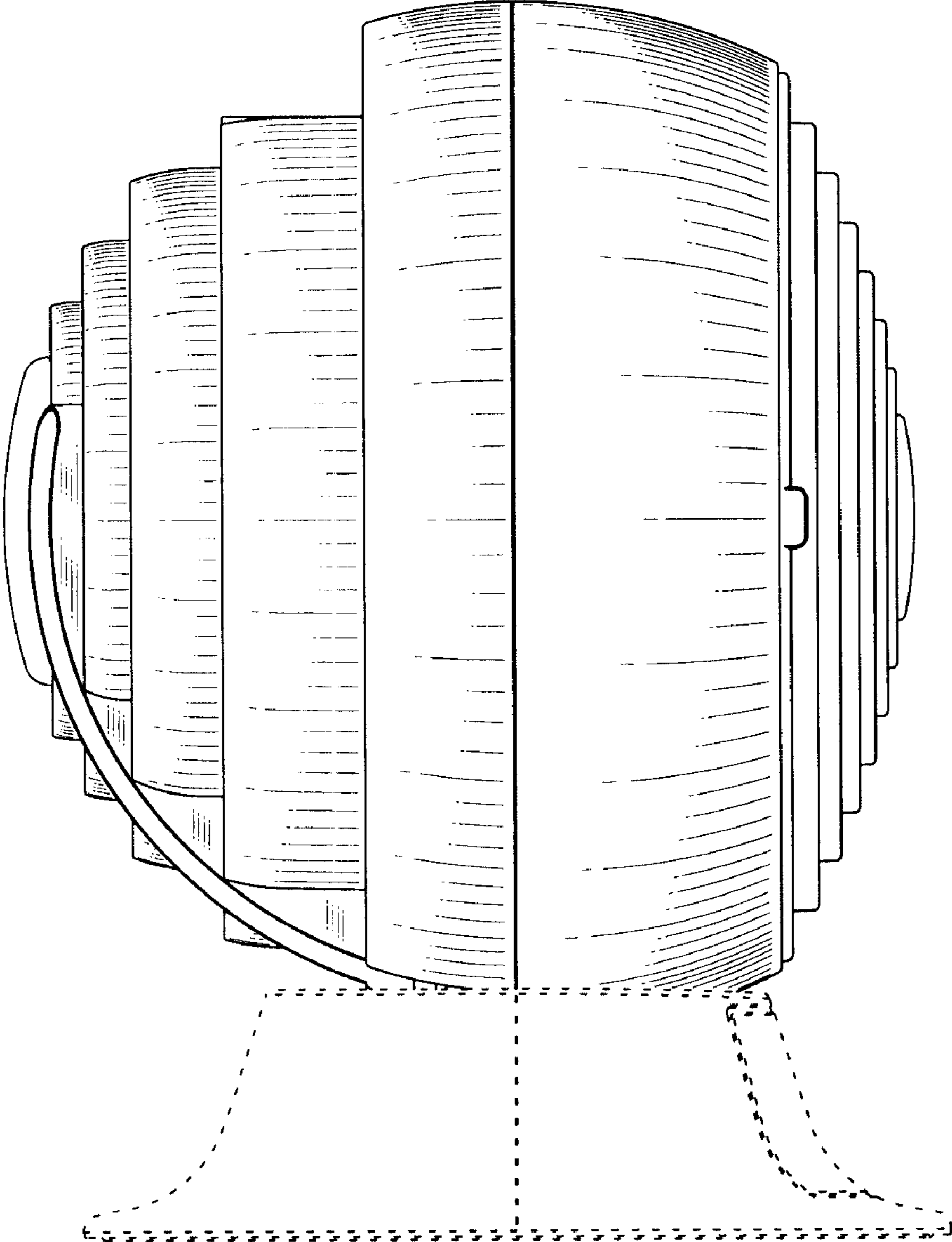


FIG.5

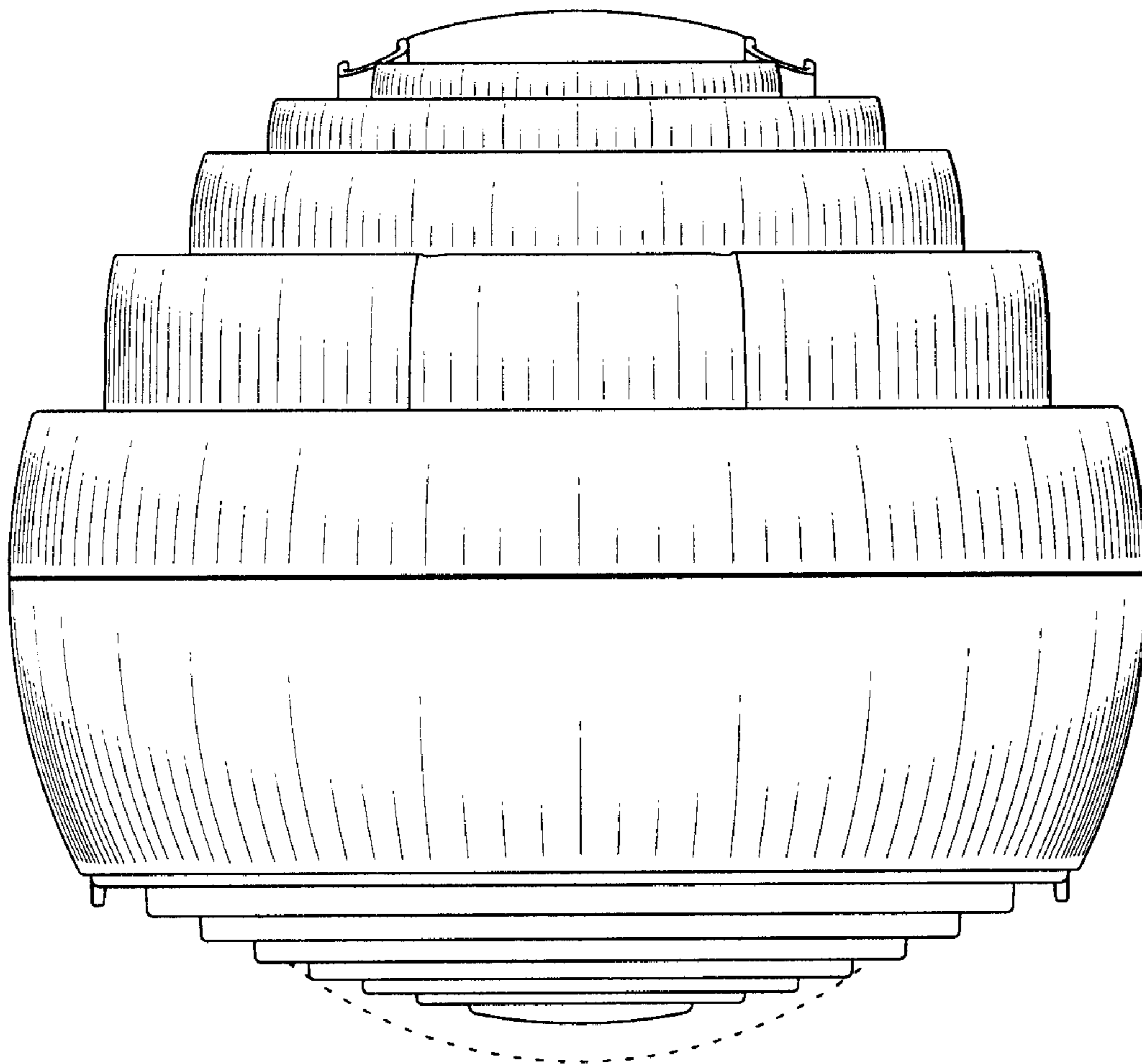


FIG.6

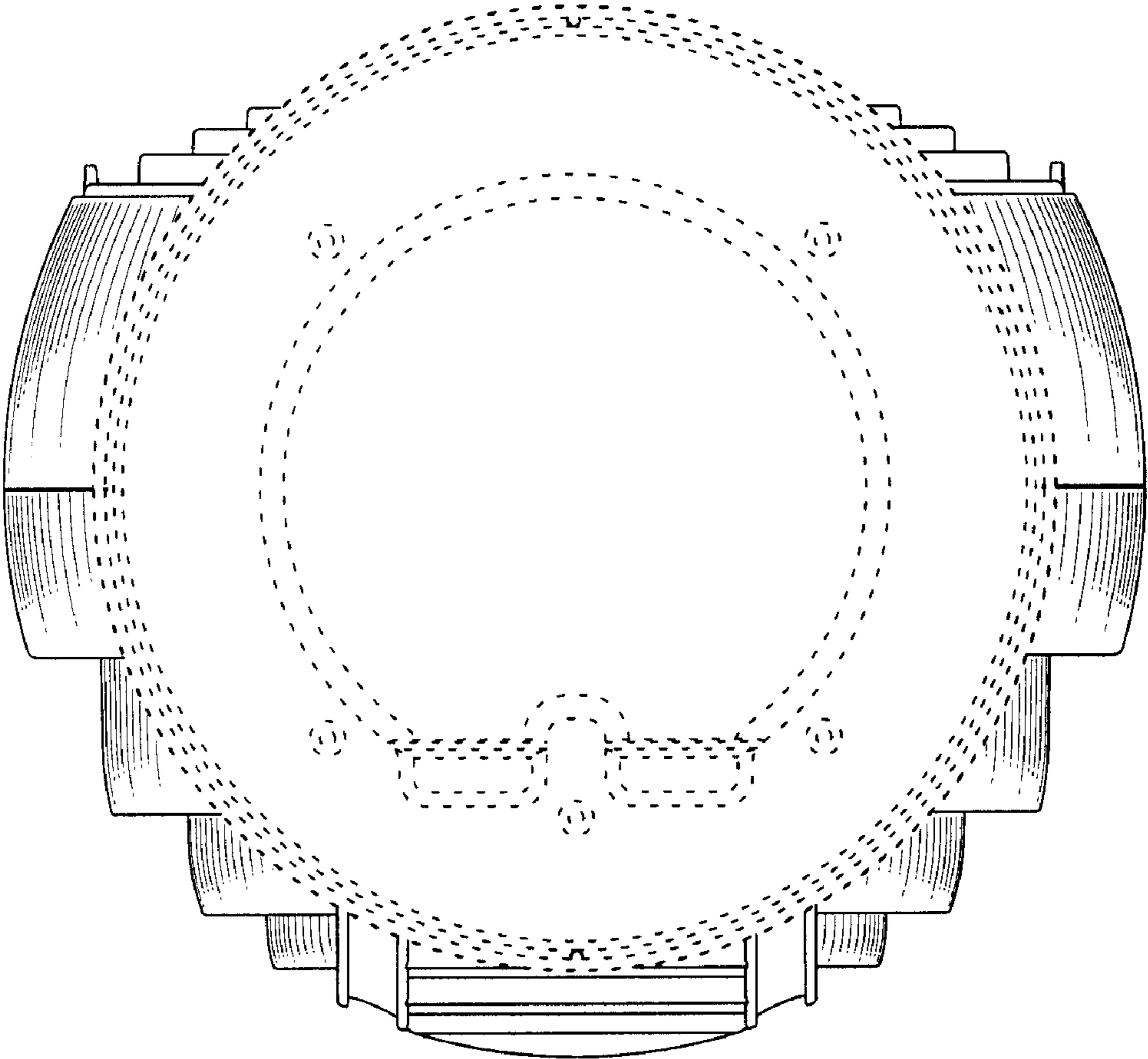


FIG. 7

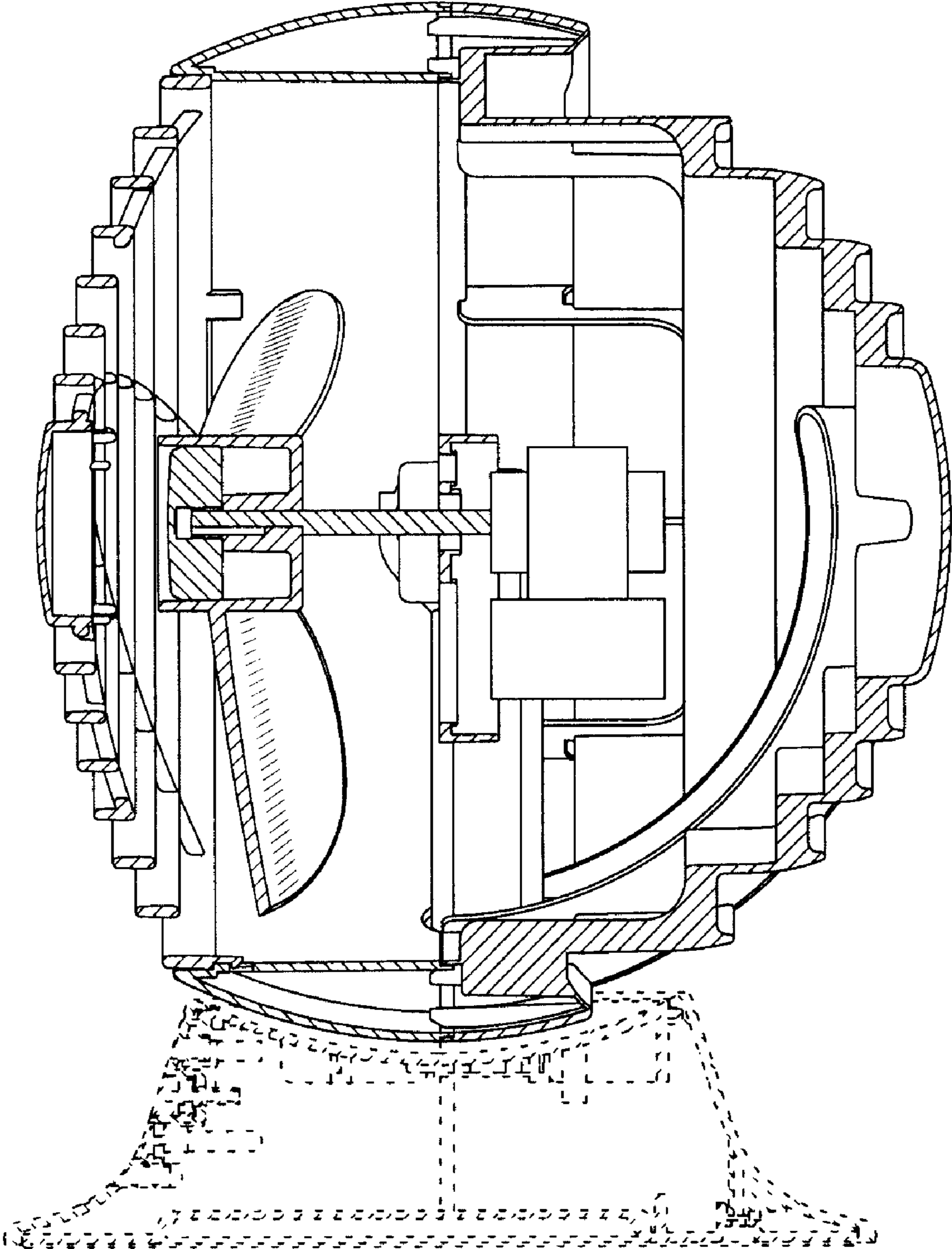


FIG.8

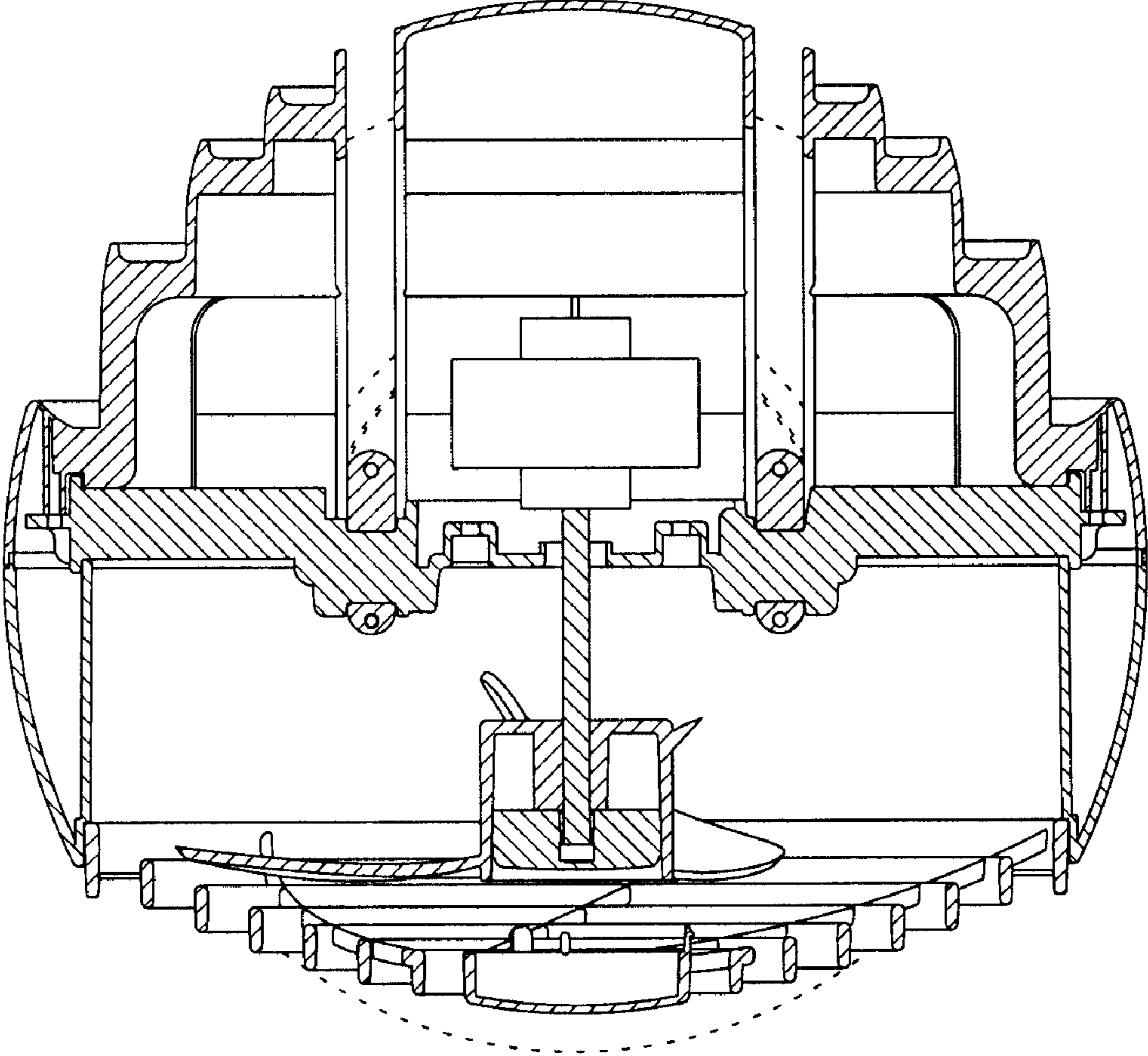


FIG. 9

