



US00D633997S

(12) **United States Design Patent**  
**Hideharu et al.**

(10) **Patent No.:** **US D633,997 S**

(45) **Date of Patent:** **\*\* Mar. 8, 2011**

(54) **DIAMOND SHAPED DIFFUSER RING**

(76) Inventors: **Takei Hideharu**, Sai Kung (HK); **Eric Franz Junkel**, Mount Prospect, IL (US)

(\*\*) Term: **14 Years**

(21) Appl. No.: **29/370,101**

(22) Filed: **Jun. 8, 2010**

(51) **LOC (9) Cl.** ..... **23-04**

(52) **U.S. Cl.** ..... **D23/370**

(58) **Field of Classification Search** ..... D23/382,  
D23/381, 370, 413, 411, 412, 388, 390; 416/244 R,  
416/246, 247 R

See application file for complete search history.

(56) **References Cited**

**U.S. PATENT DOCUMENTS**

D206,973 S *	2/1967	De Lisio	.....	D23/370
D317,819 S *	6/1991	Sello	.....	D23/390
D331,102 S *	11/1992	Rademaker	.....	D23/388
D598,532 S *	8/2009	Dyson et al.	.....	D23/370
D602,143 S *	10/2009	Gammack et al.	.....	D23/370
D602,144 S *	10/2009	Dyson et al.	.....	D23/370
D605,748 S *	12/2009	Gammack et al.	.....	D23/370

\* cited by examiner

*Primary Examiner* — Lisa P Lichtenstein

(74) *Attorney, Agent, or Firm* — Basil E. Demeur; Alan B. Samlan; David J. Hurley

(57) **CLAIM**

We claim the ornamental design for a diamond shaped diffuser ring, as shown and described.

**DESCRIPTION**

FIG. 1 is a front perspective view of the diamond shaped diffuser ring;

FIG. 2 is a front elevational view of the diamond shaped diffuser ring;

FIG. 3 is a rear elevational view of the diamond shaped diffuser ring;

FIG. 4 is a side elevational view of the diamond shaped diffuser ring;

FIG. 5 is a side elevational view of the opposed side of the diamond shaped diffuser ring;

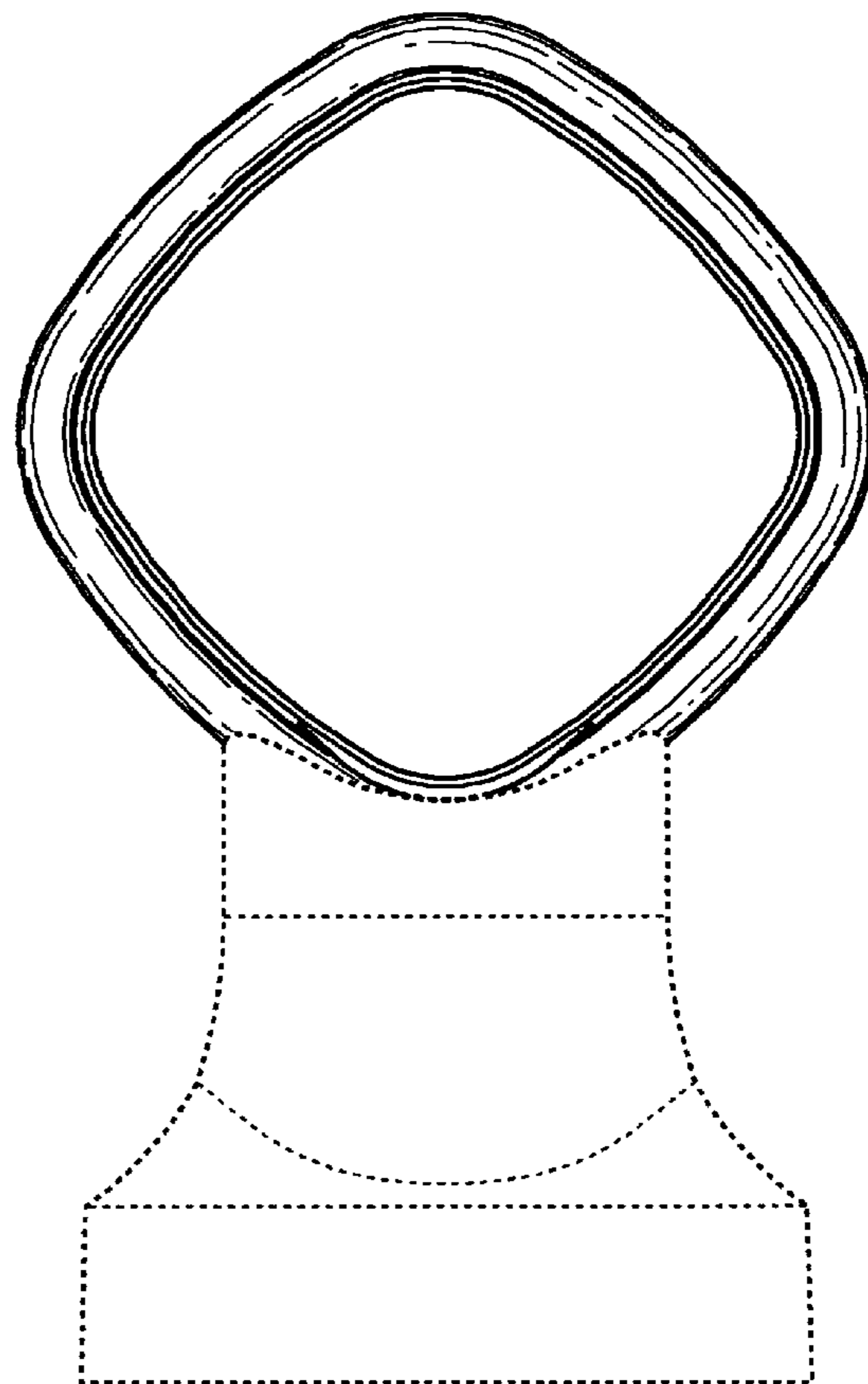
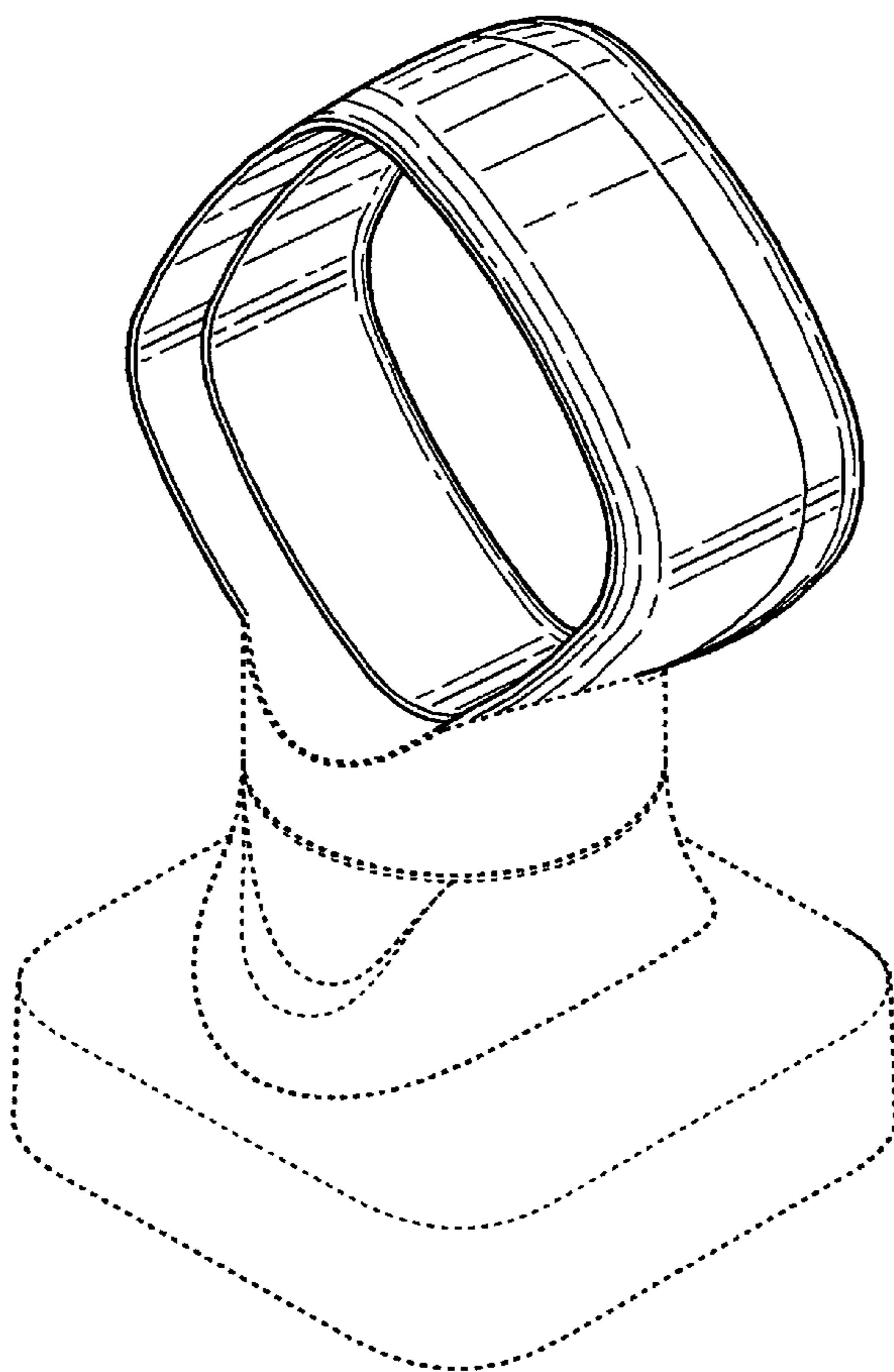
FIG. 6 is a bottom view of the diamond shaped diffuser ring;

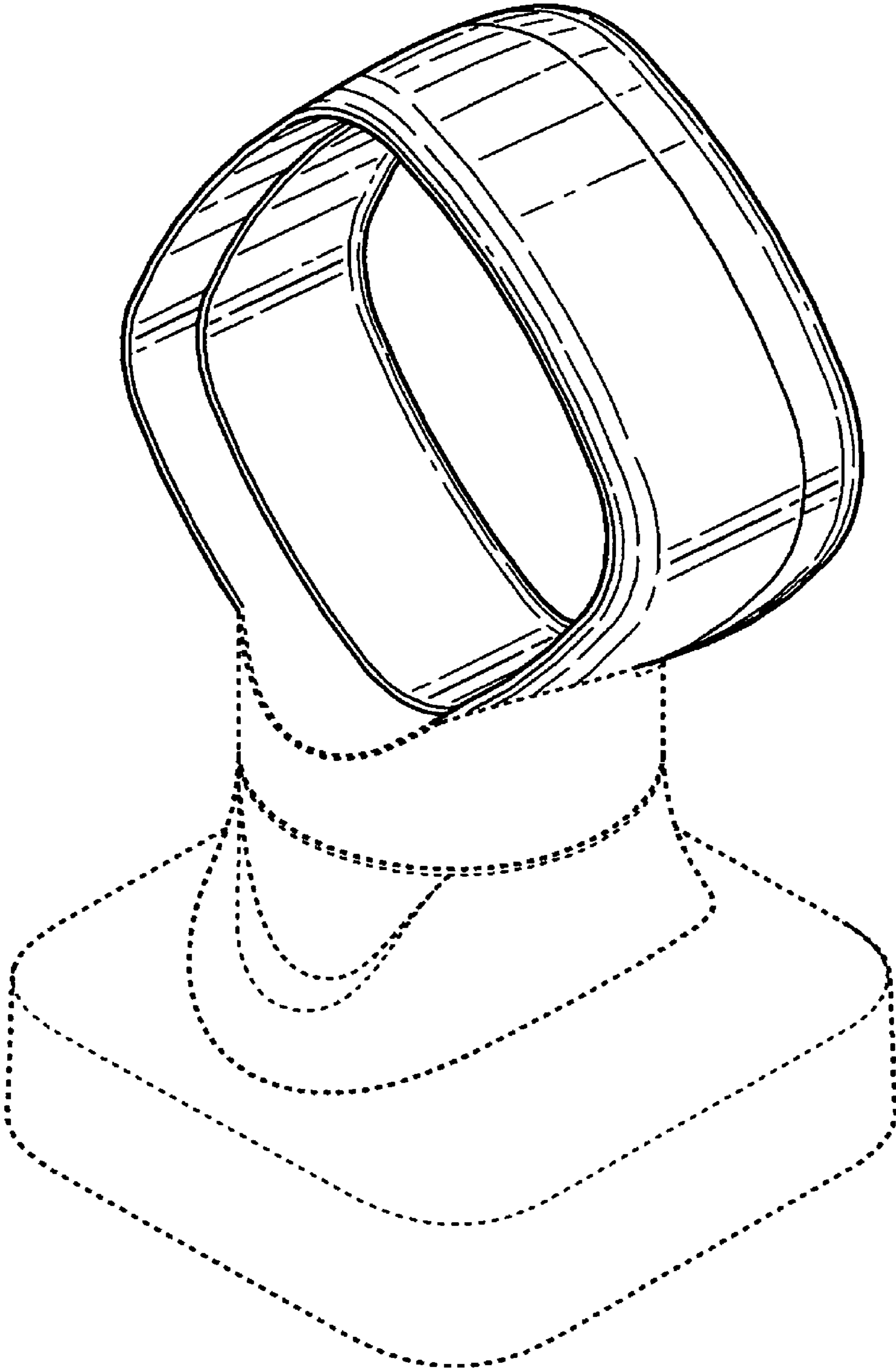
FIG. 7 is a top view of the diamond shaped diffuser ring; and,

FIG. 8 is a bottom rear perspective view of the diamond shaped diffuser ring.

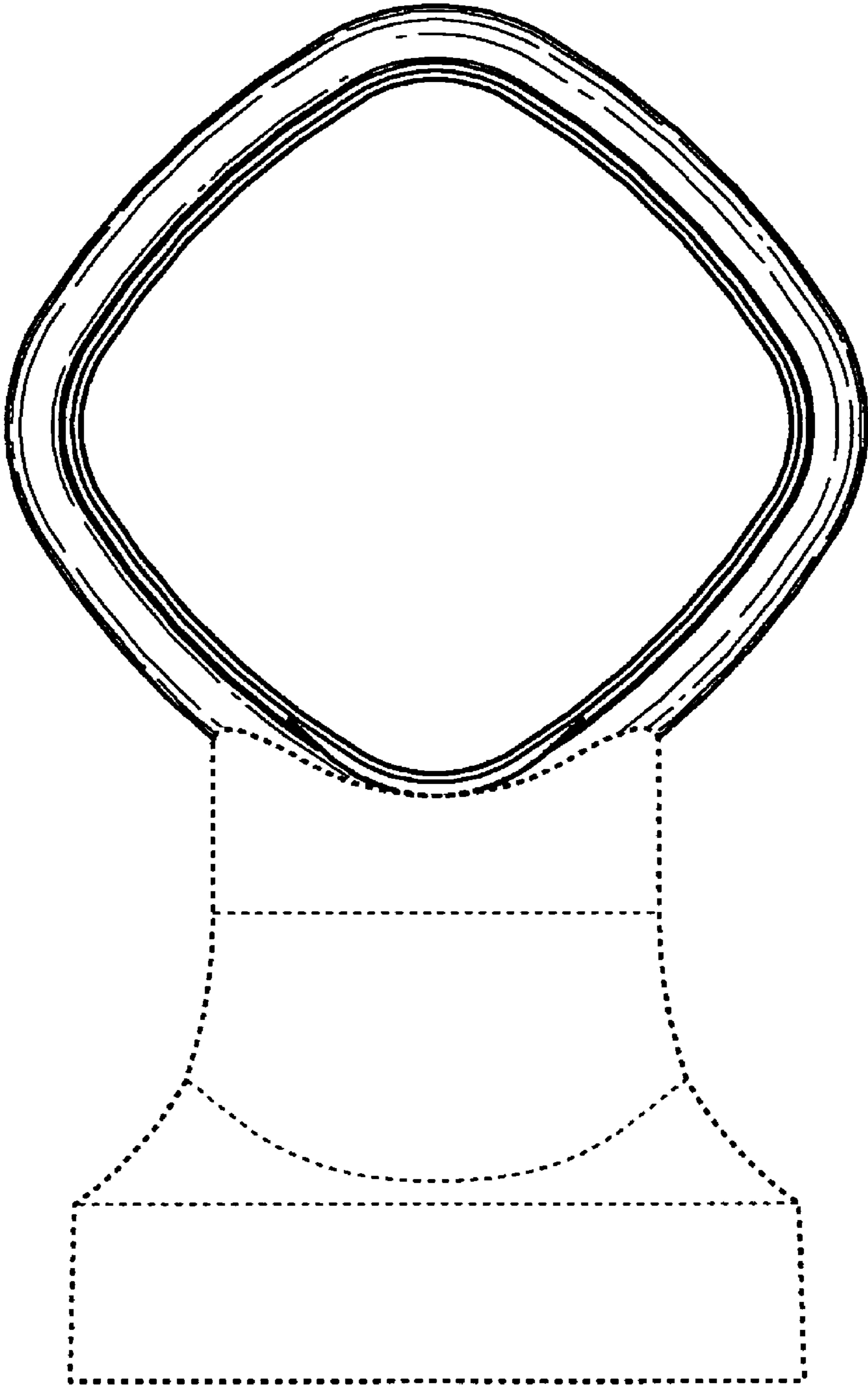
The broken line showing of a base is included for the purpose of illustrating environmental structure and forms no part of the claimed design.

**1 Claim, 7 Drawing Sheets**

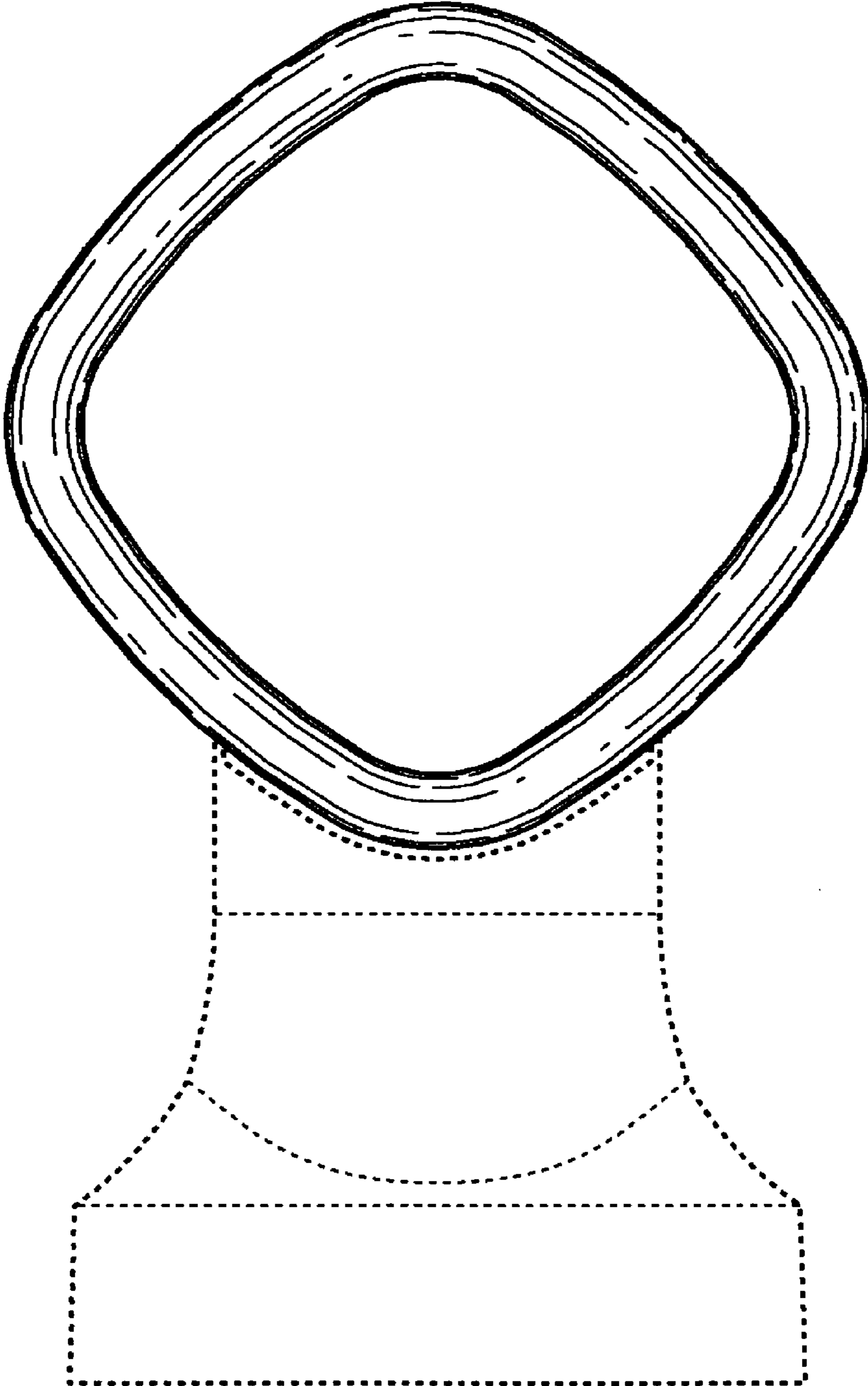




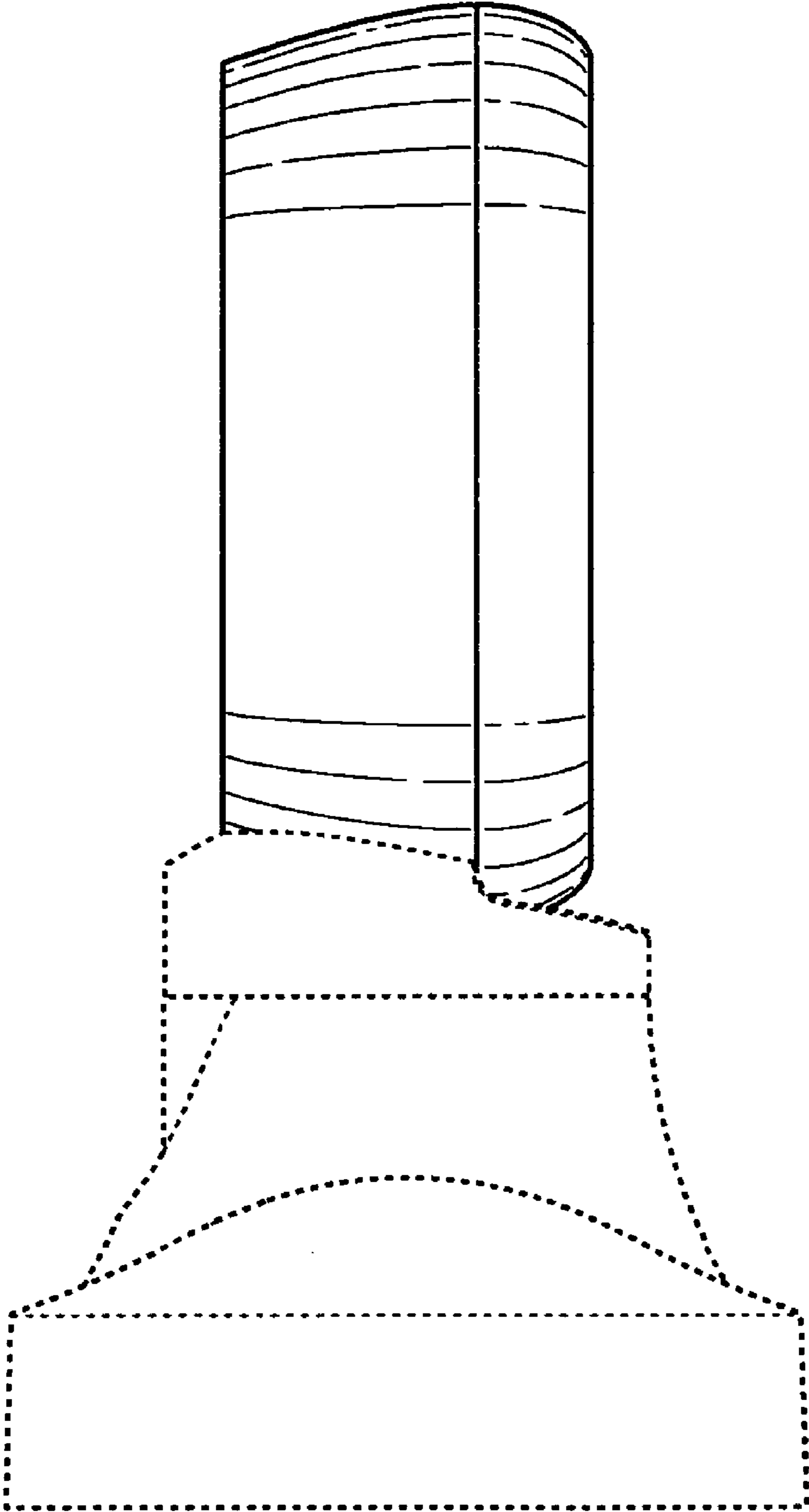
**FIG. 1**



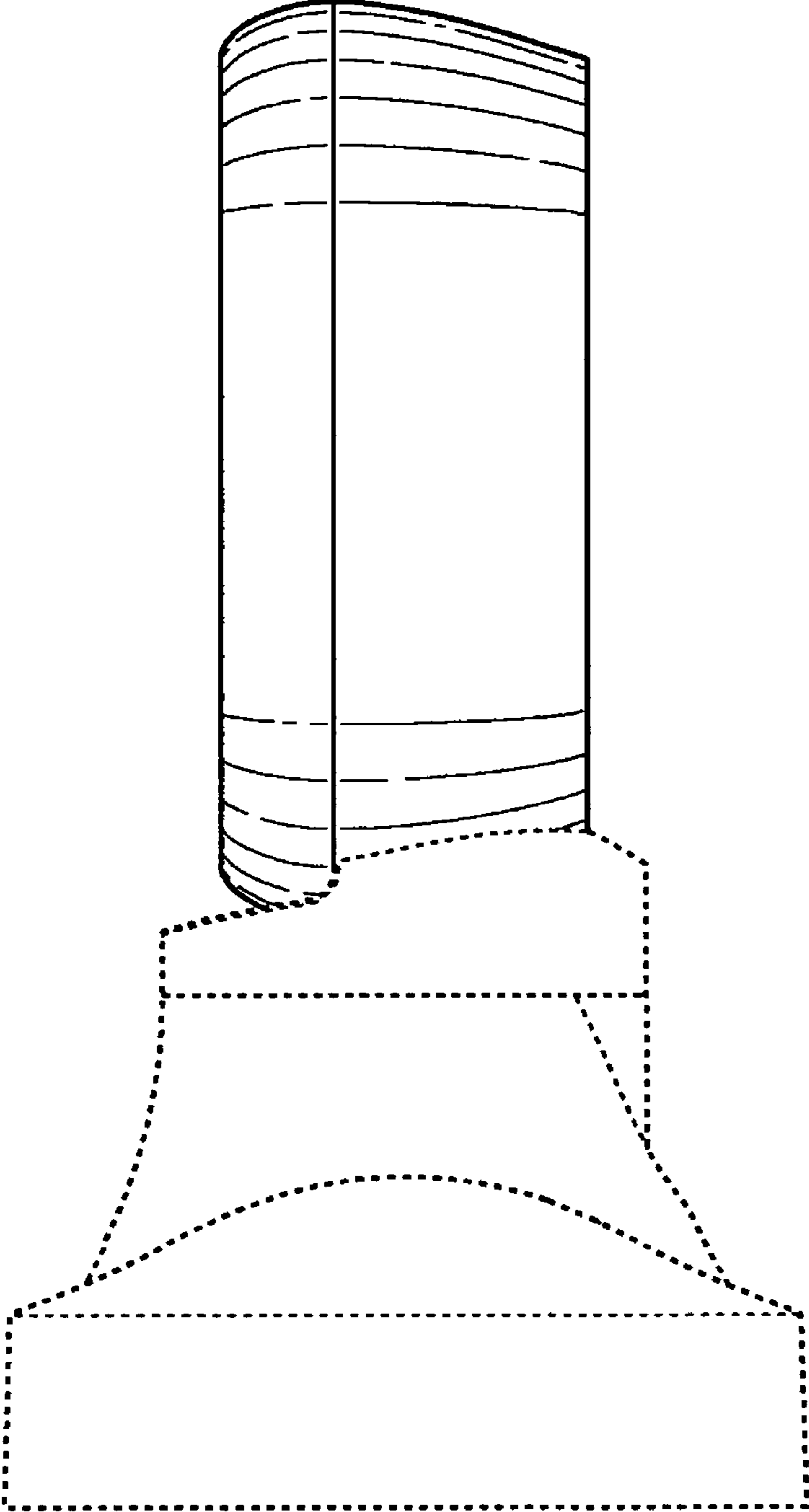
**FIG. 2**



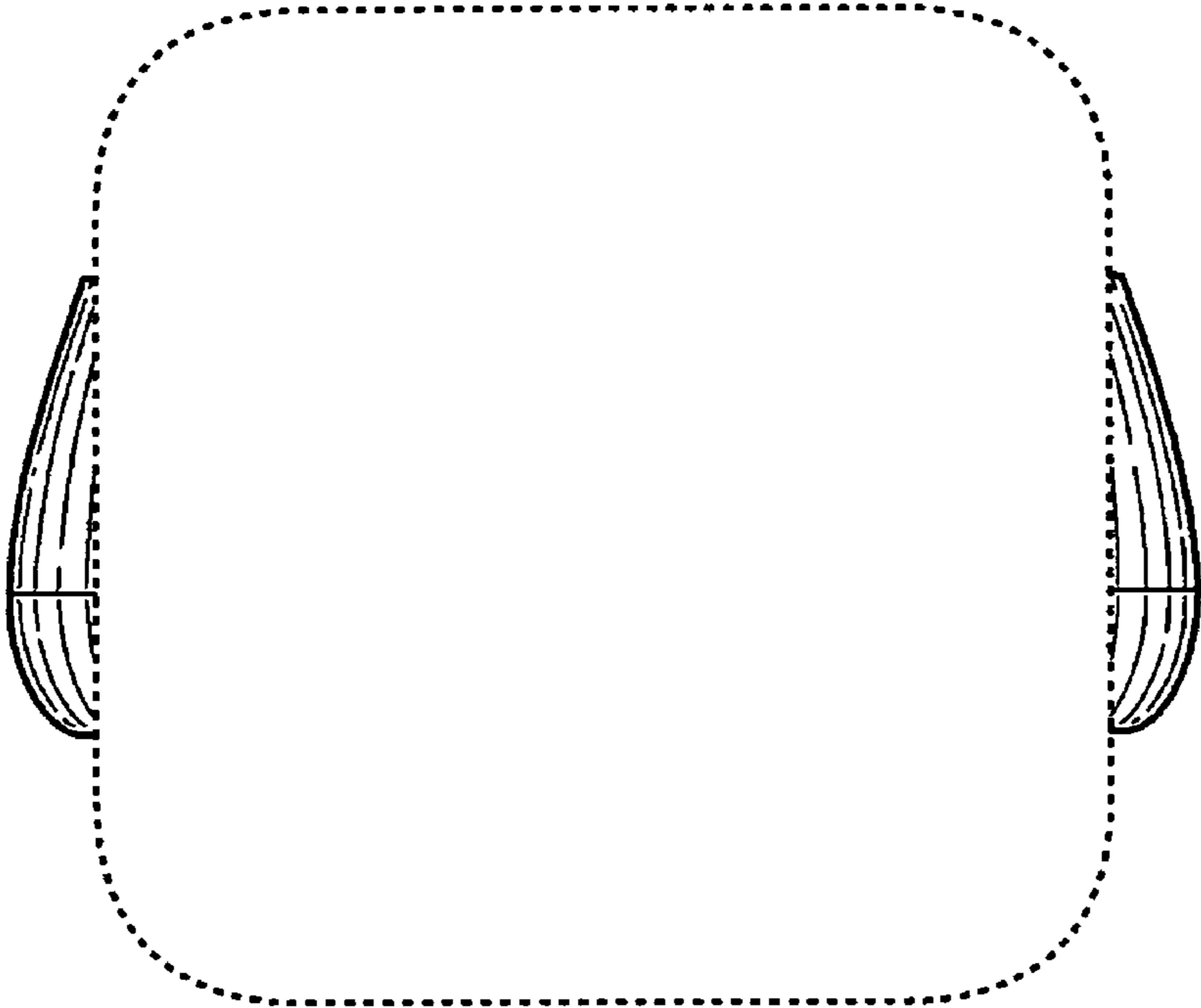
**FIG. 3**



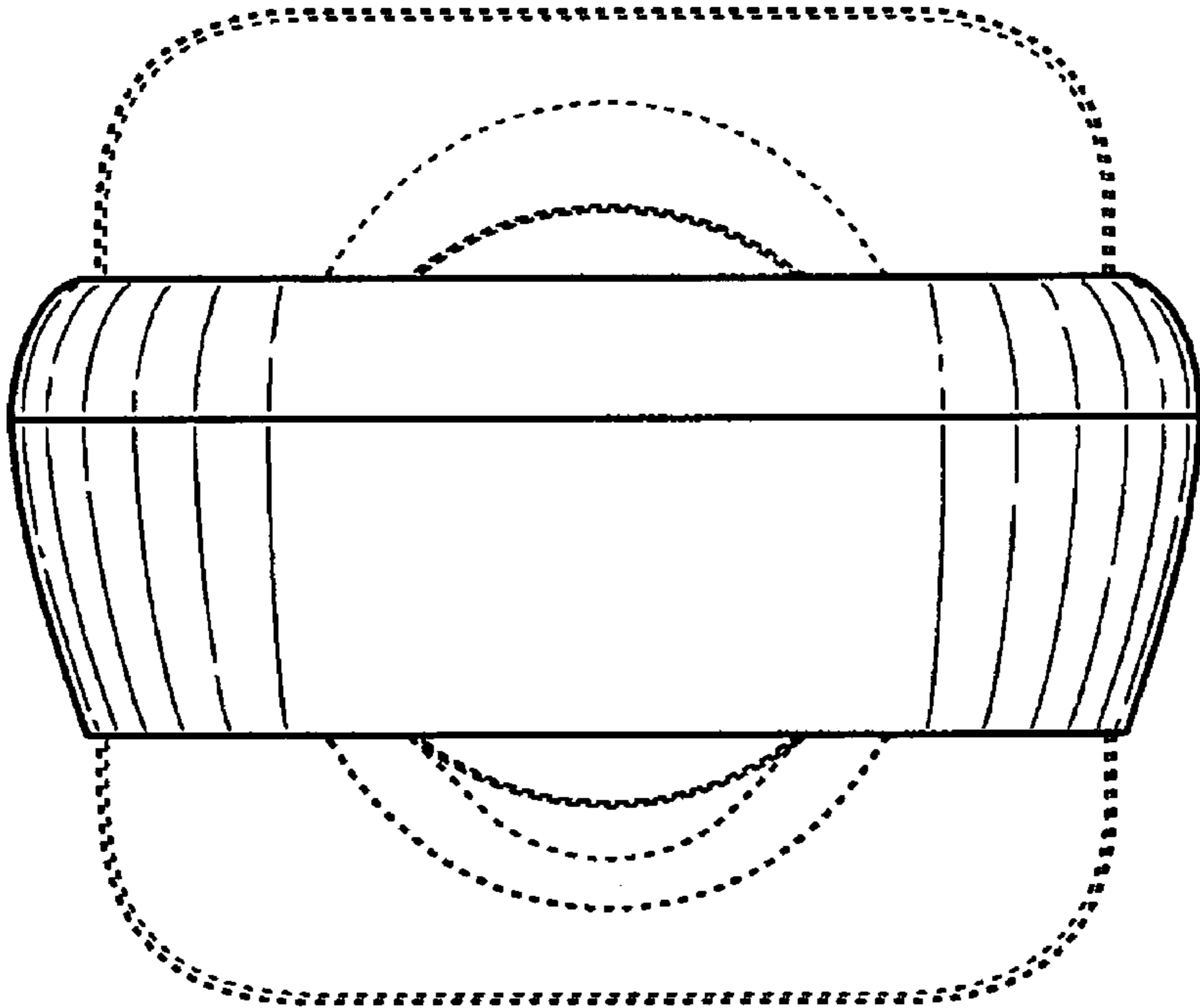
**FIG. 4**



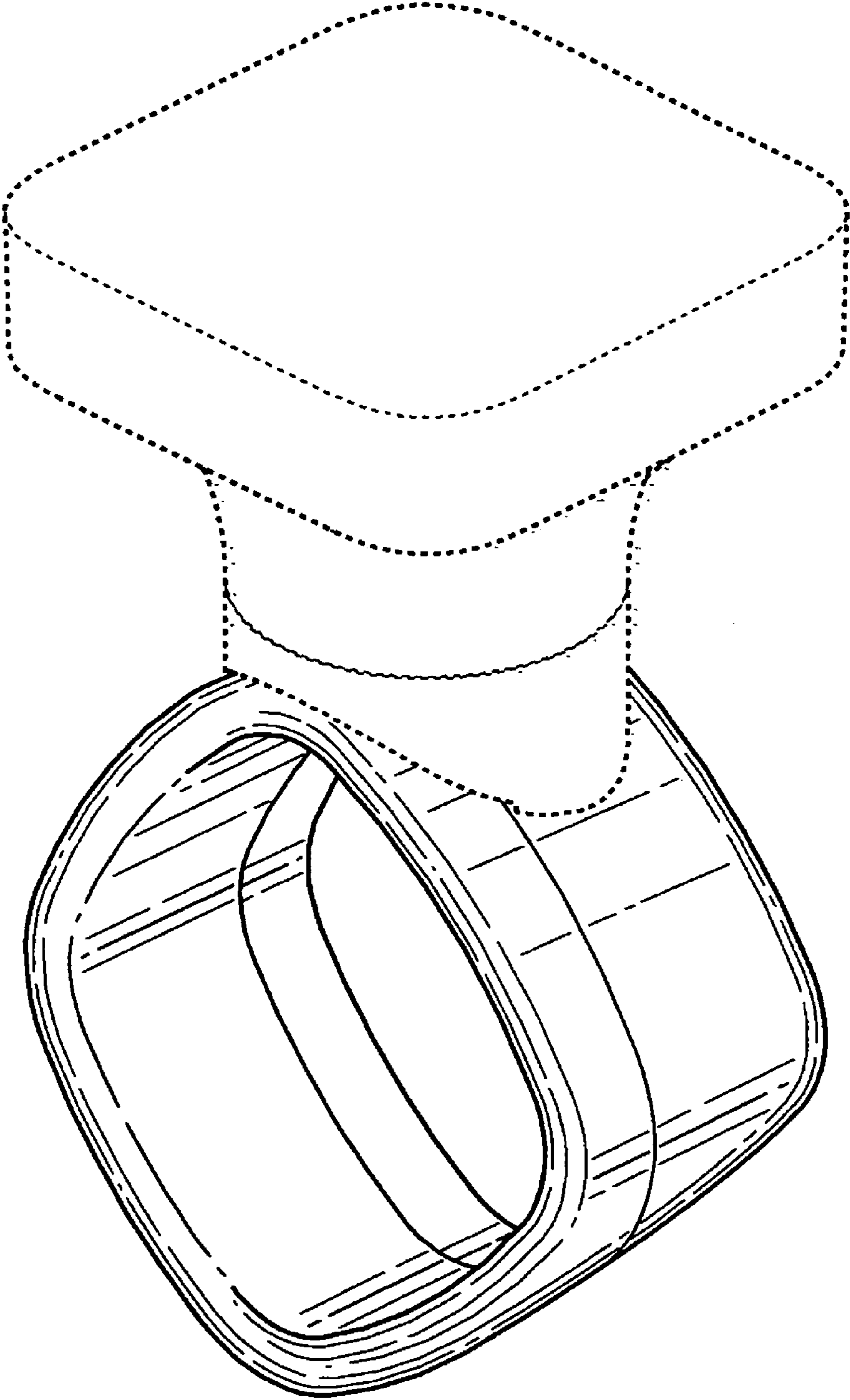
**FIG. 5**



**FIG. 6**



**FIG. 7**



**FIG. 8**