



US00D633995S

(12) **United States Design Patent**
Chiang

(10) **Patent No.:** **US D633,995 S**
(45) **Date of Patent:** **** Mar. 8, 2011**

(54) **HEATER**

(76) Inventor: **Tzu-Yun Chiang**, Tanzih Township,
Taichung County (TW)

(**) Term: **14 Years**

(21) Appl. No.: **29/346,987**

(22) Filed: **Nov. 10, 2009**

(51) **LOC (9) Cl.** **23-03**

(52) **U.S. Cl.** **D23/343; D23/332**

(58) **Field of Classification Search** D23/317,
D23/314, 332, 333, 334, 335, 337, 342, 351,
D23/355, 378, 370, 381, 364, 336, 341, 343;
416/244 R, 247 R, 53.1-53.3; 392/365, 367
See application file for complete search history.

(56) **References Cited**

U.S. PATENT DOCUMENTS

D375,347 S *	11/1996	Whalen et al.	D23/317
D397,428 S *	8/1998	Reitsma et al.	D23/348
D420,115 S *	2/2000	Bach et al.	D23/348
D427,298 S *	6/2000	Maust et al.	D23/343
D451,989 S *	12/2001	Ashton et al.	D23/343
D455,206 S *	4/2002	Davis et al.	D23/350
D457,229 S *	5/2002	Chen	D23/343
D476,405 S *	6/2003	Dunlap	D23/348
D498,523 S *	11/2004	Davis	D23/332
D500,359 S *	12/2004	Davis	D23/343
D535,000 S *	1/2007	Reeder	D23/343
D535,370 S *	1/2007	Jensen	D23/343

* cited by examiner

Primary Examiner—T. Chase Nelson
Assistant Examiner—Ania K Dworzecka
(74) *Attorney, Agent, or Firm*—patenttm.us

(57) **CLAIM**

The ornamental design for a heater, as shown and described.

DESCRIPTION

FIG. 1 is a perspective view of a heater, showing a first embodiment of my new design;

FIG. 2 is a front view thereof;

FIG. 3 is a rear view thereof;

FIG. 4 is a left side view thereof;

FIG. 5 is a right side view thereof;

FIG. 6 is a top view thereof;

FIG. 7 is a perspective view showing the heater in a alternative environment;

FIG. 8 is a perspective view showing the heater in another alternative environment;

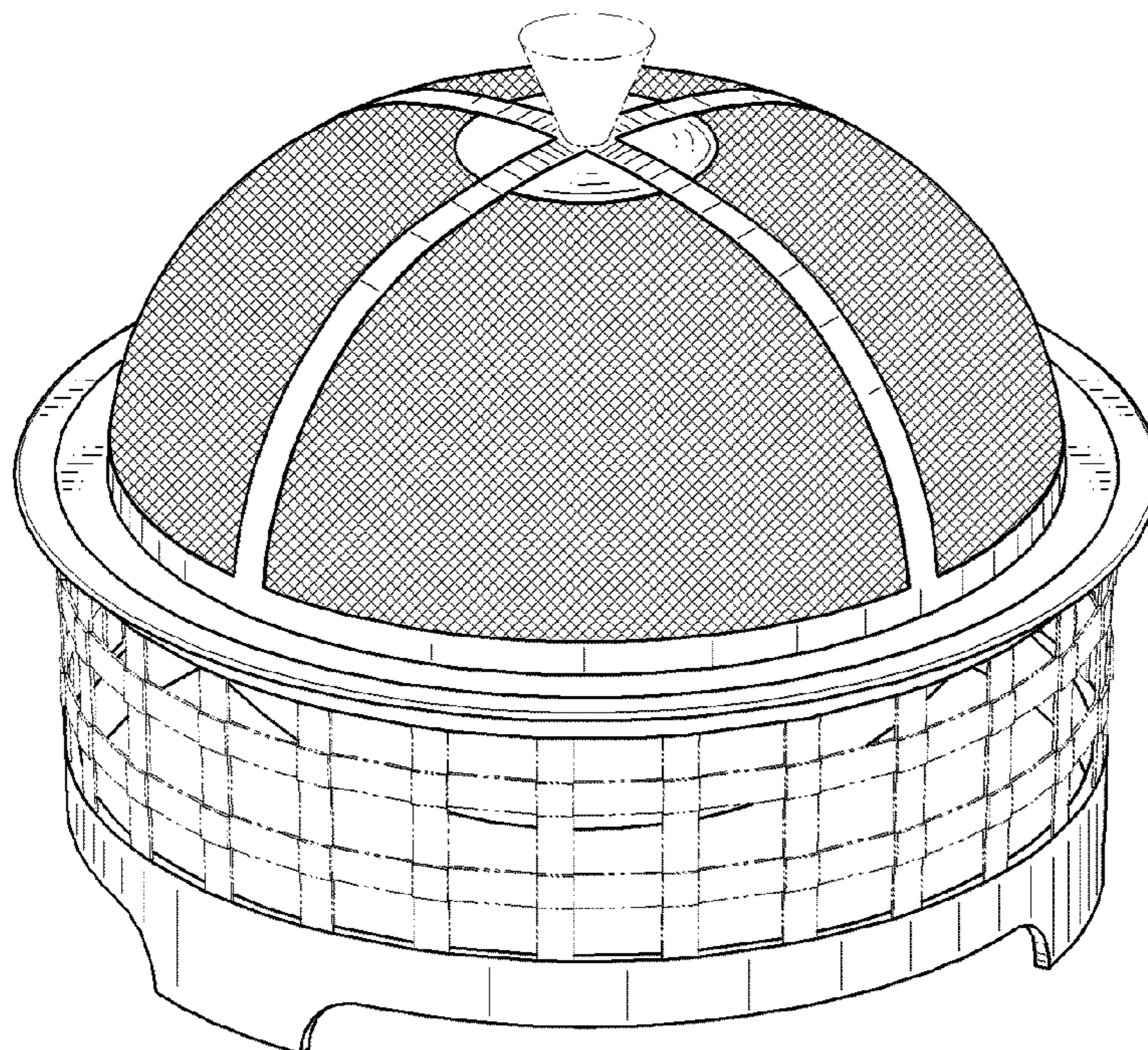
FIG. 9 is a perspective view showing the heater in another alternative environment;

FIG. 10 is a perspective view showing the heater in another alternative environment; and,

FIG. 11 is perspective view showing the heater in another alternative environment.

Wherein, the broken lines are shown for illustrative purposes only and form no part of the claimed design.

1 Claim, 11 Drawing Sheets



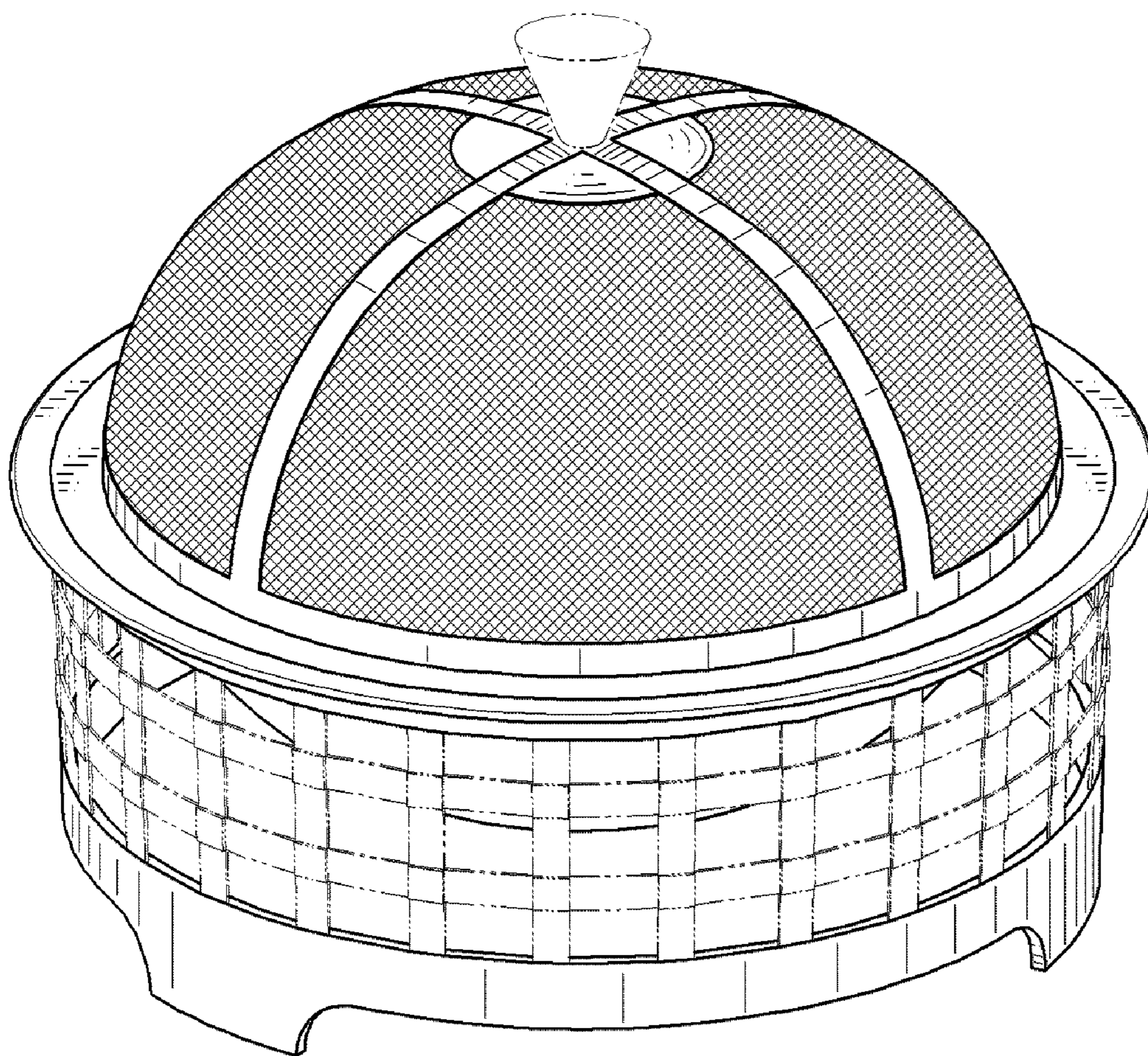


FIG. 1

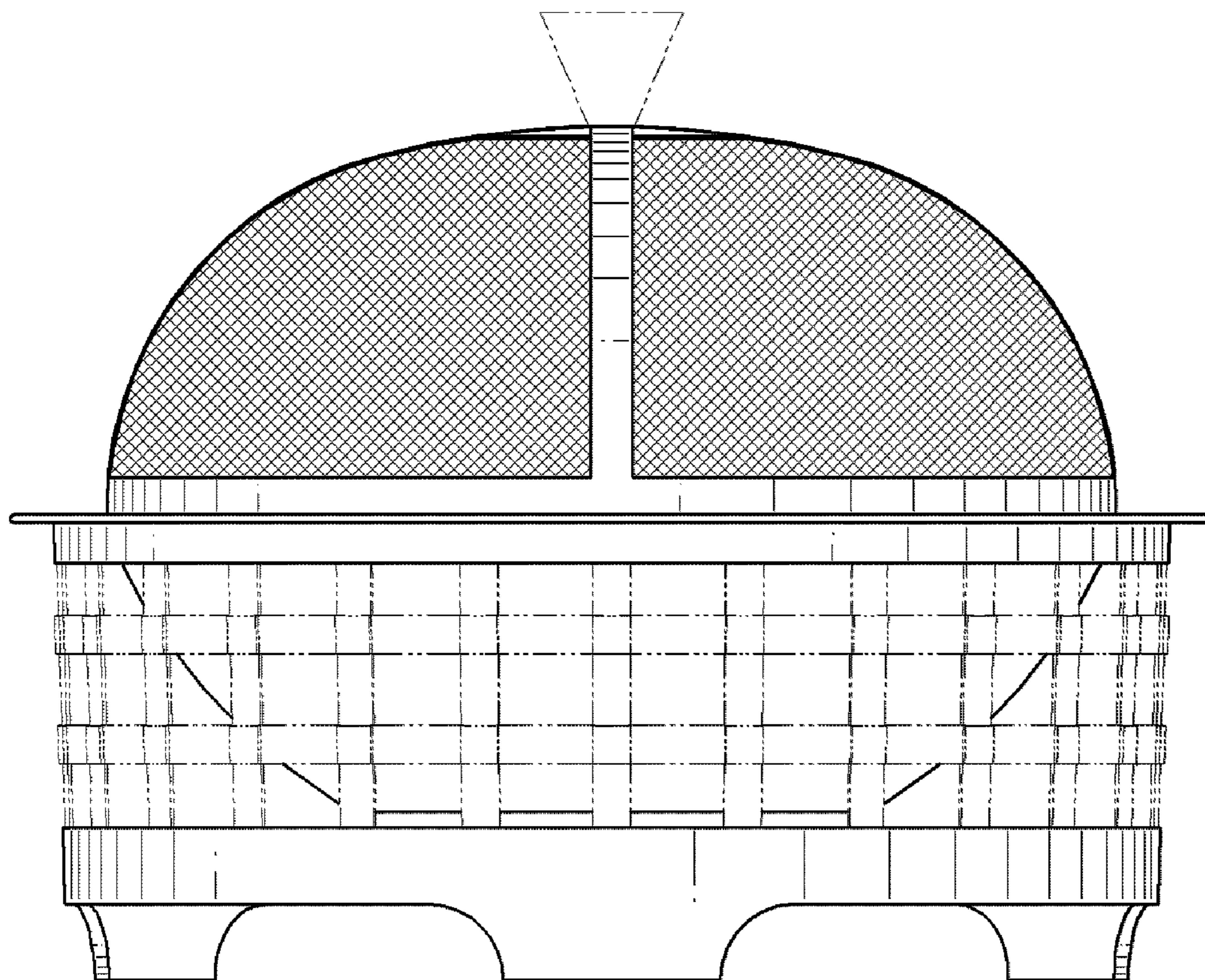


FIG. 2

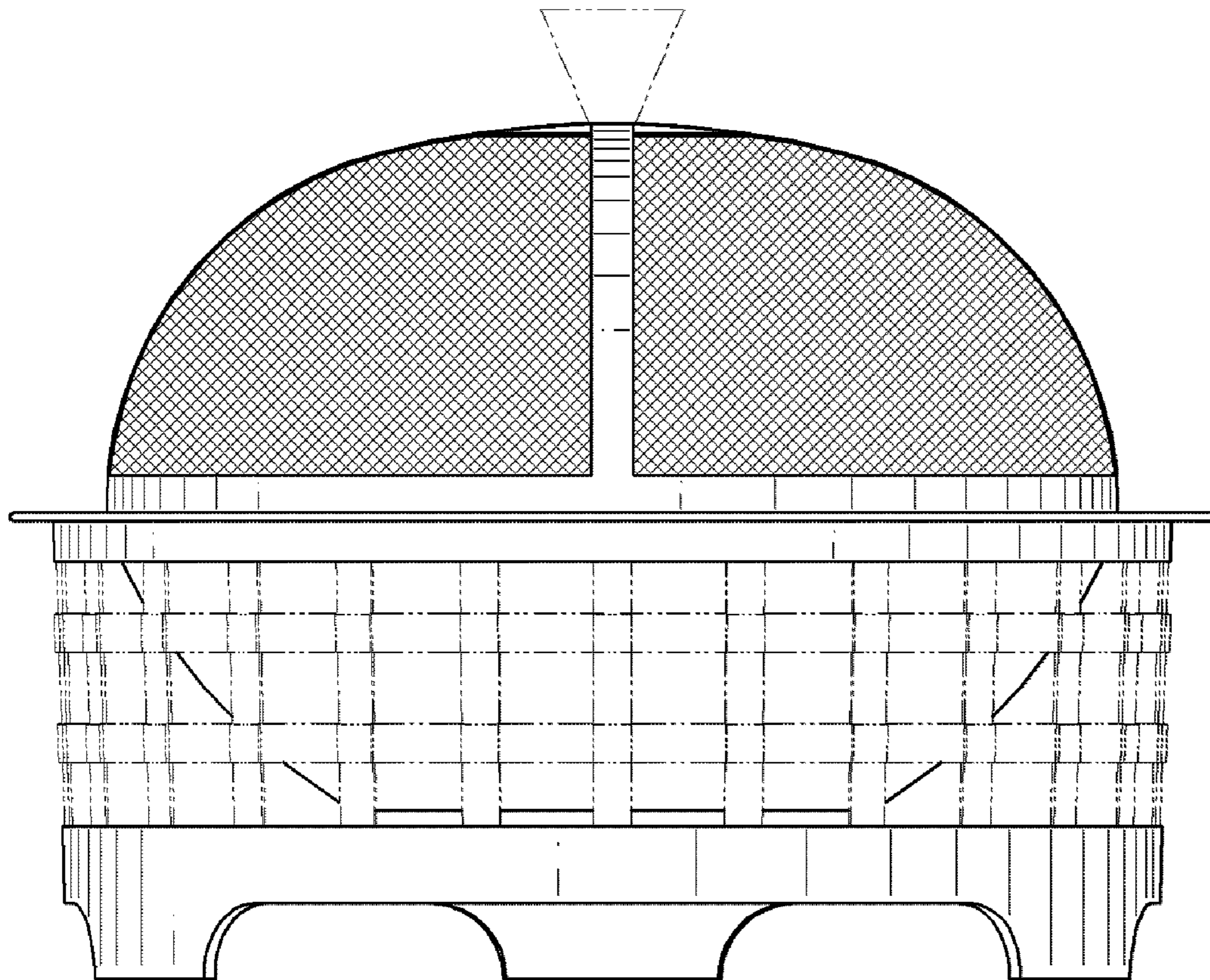


FIG. 3

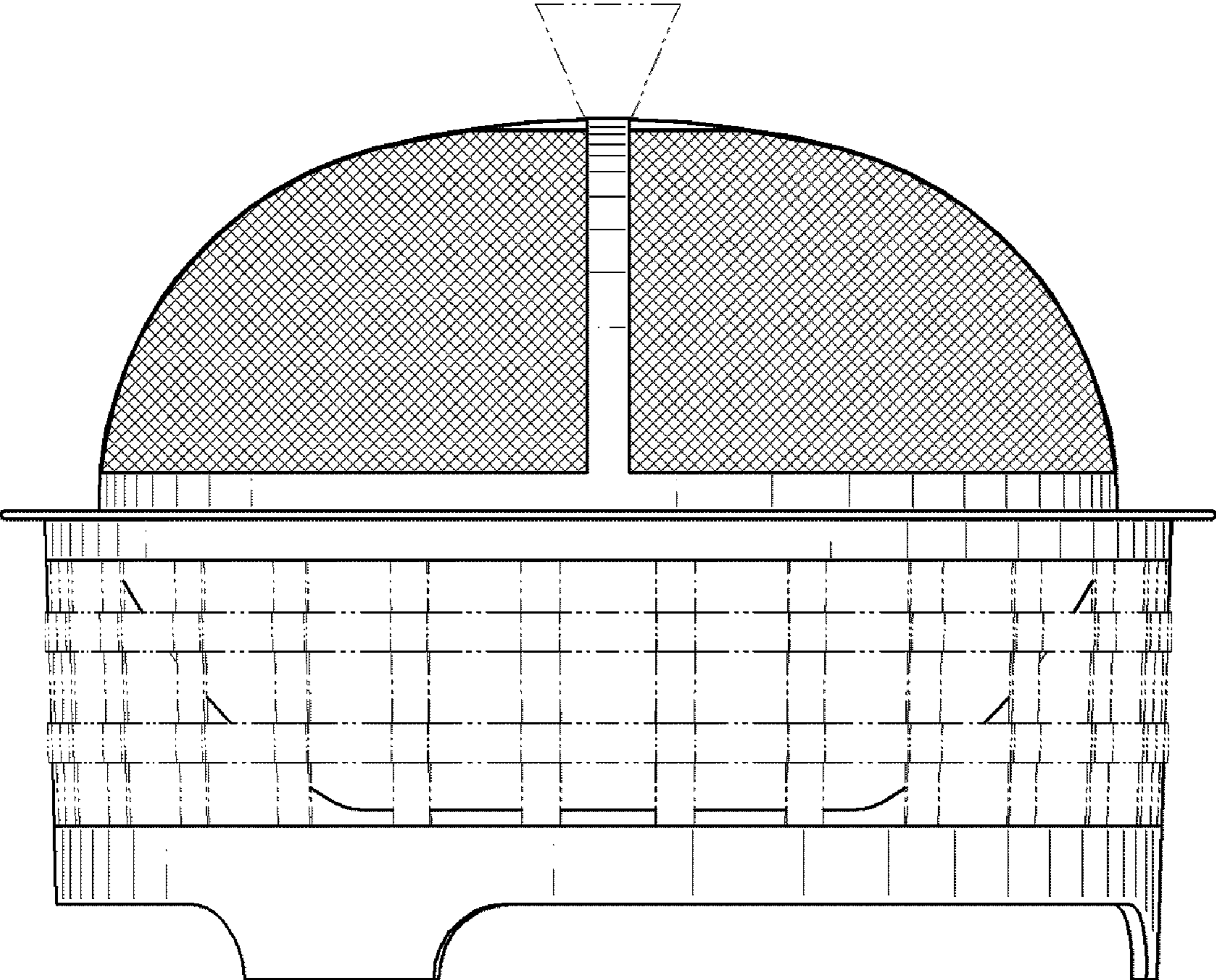


FIG. 4

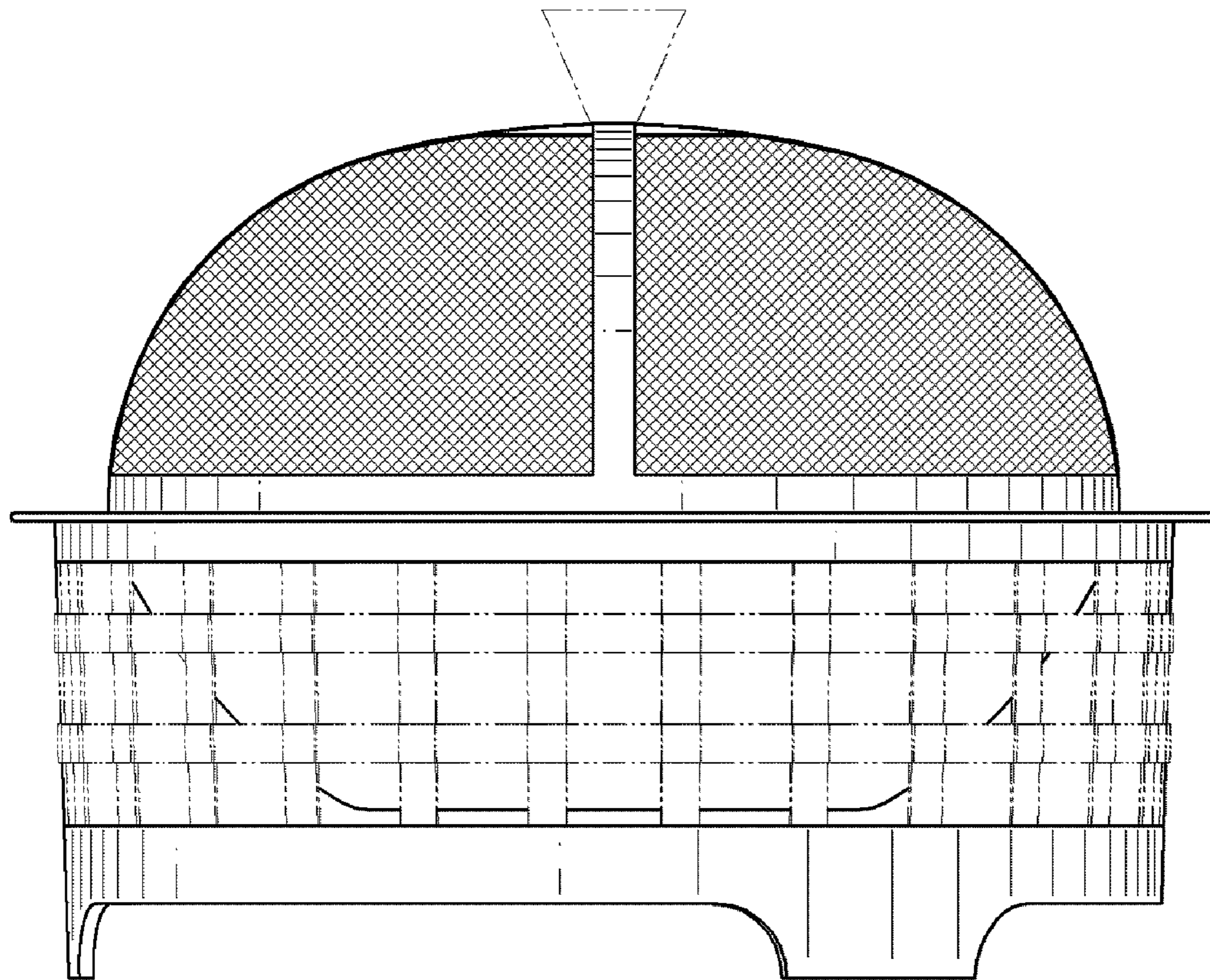


FIG. 5

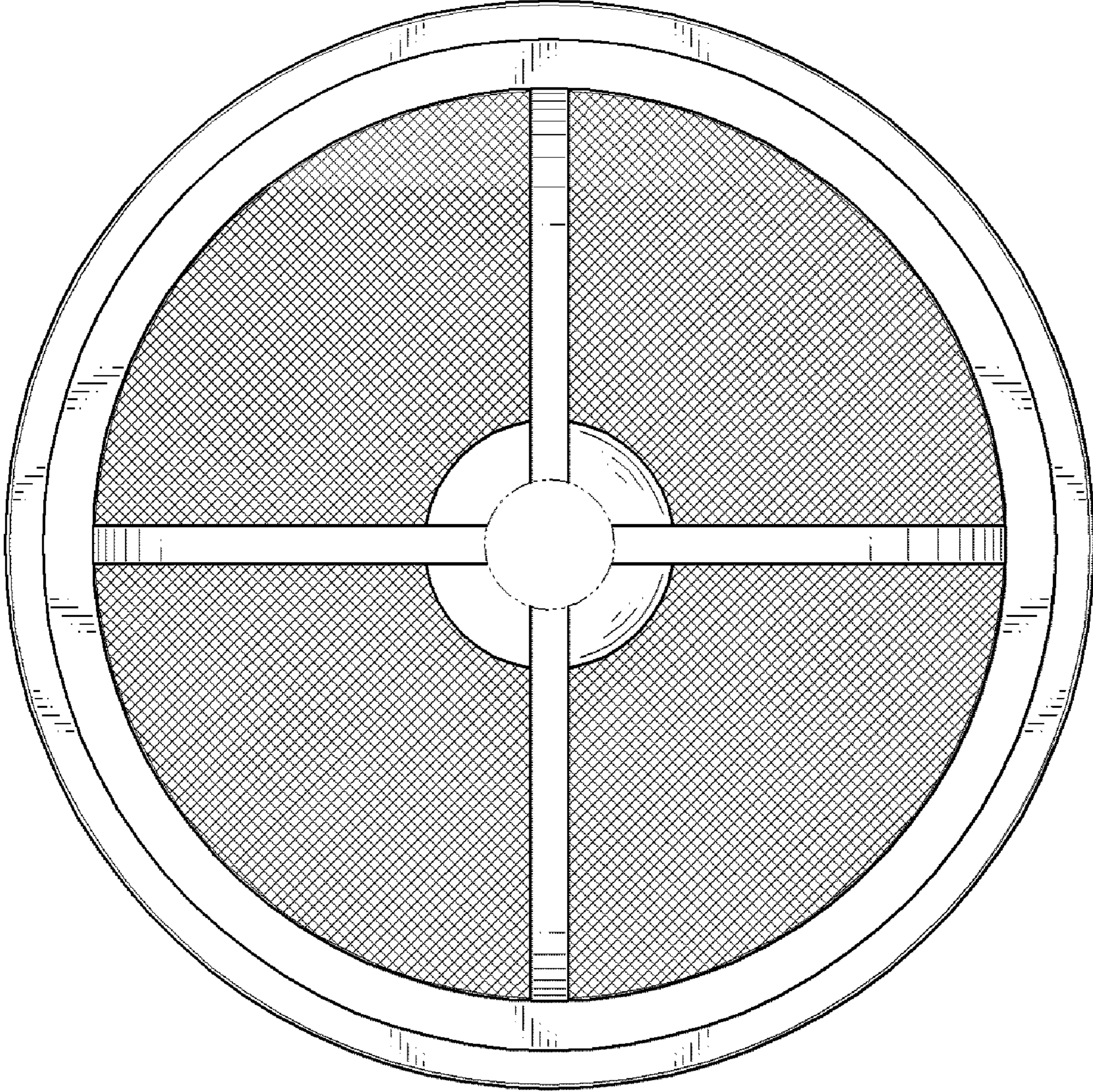


FIG. 6

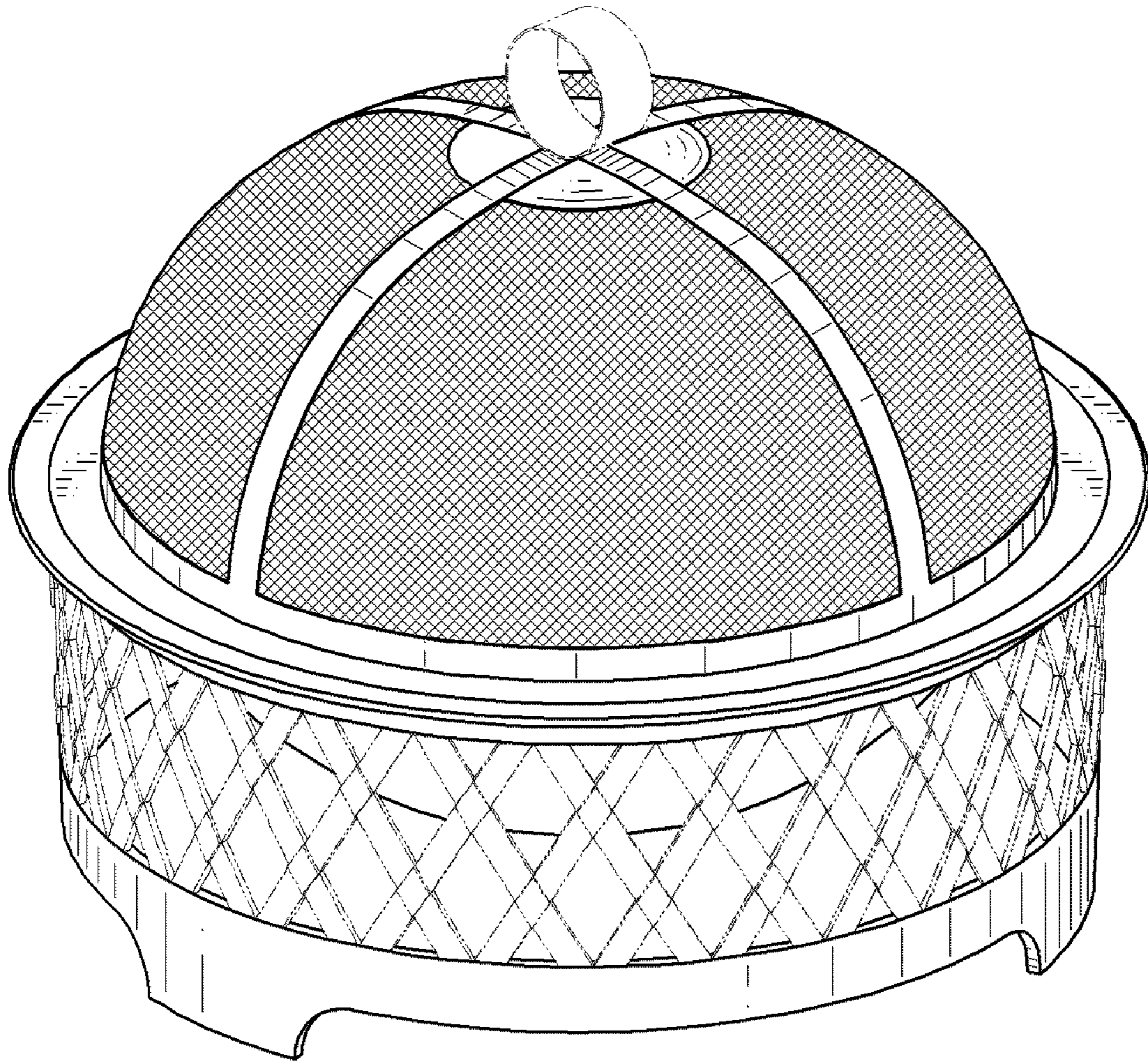


FIG. 7

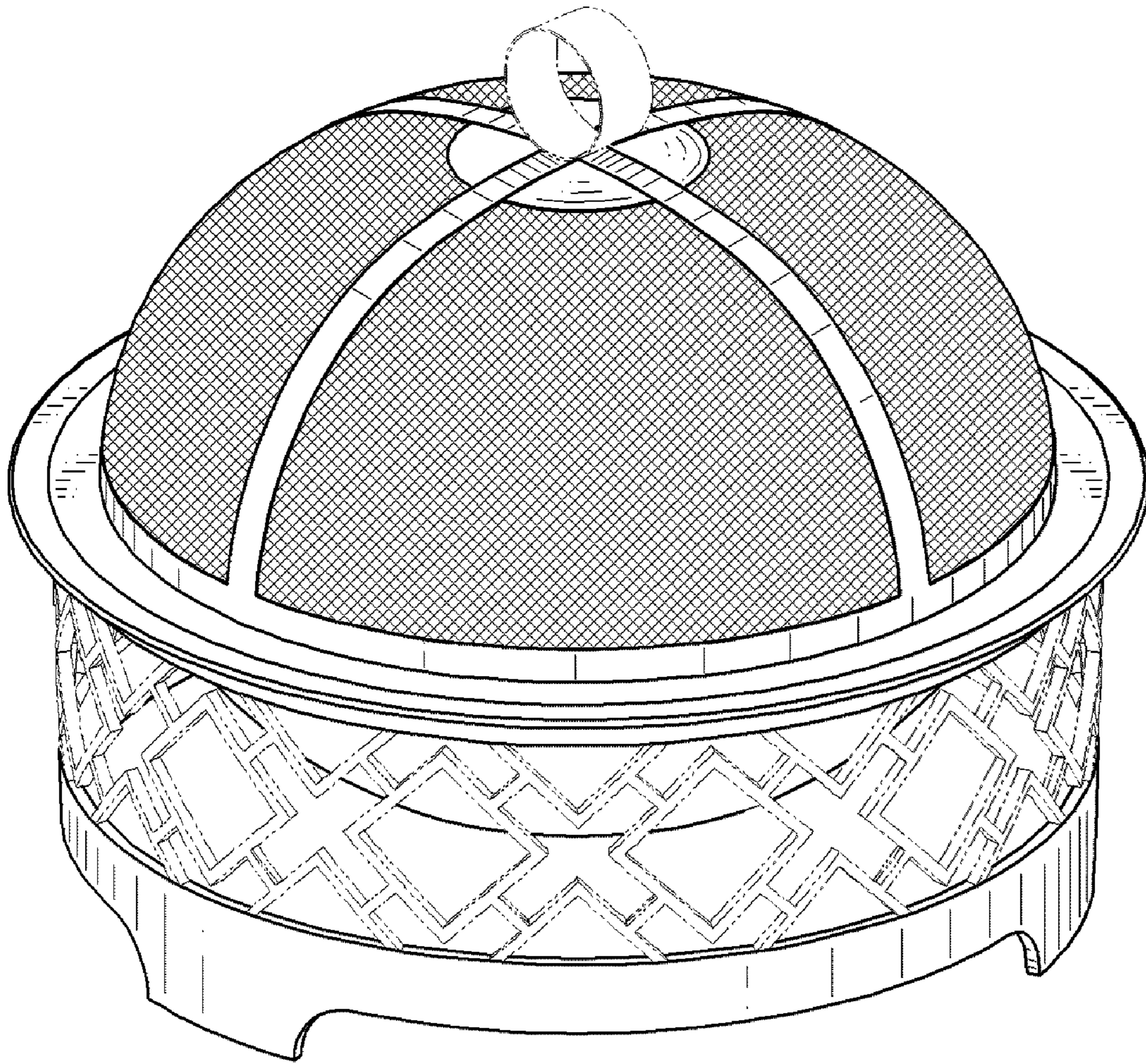


FIG. 8

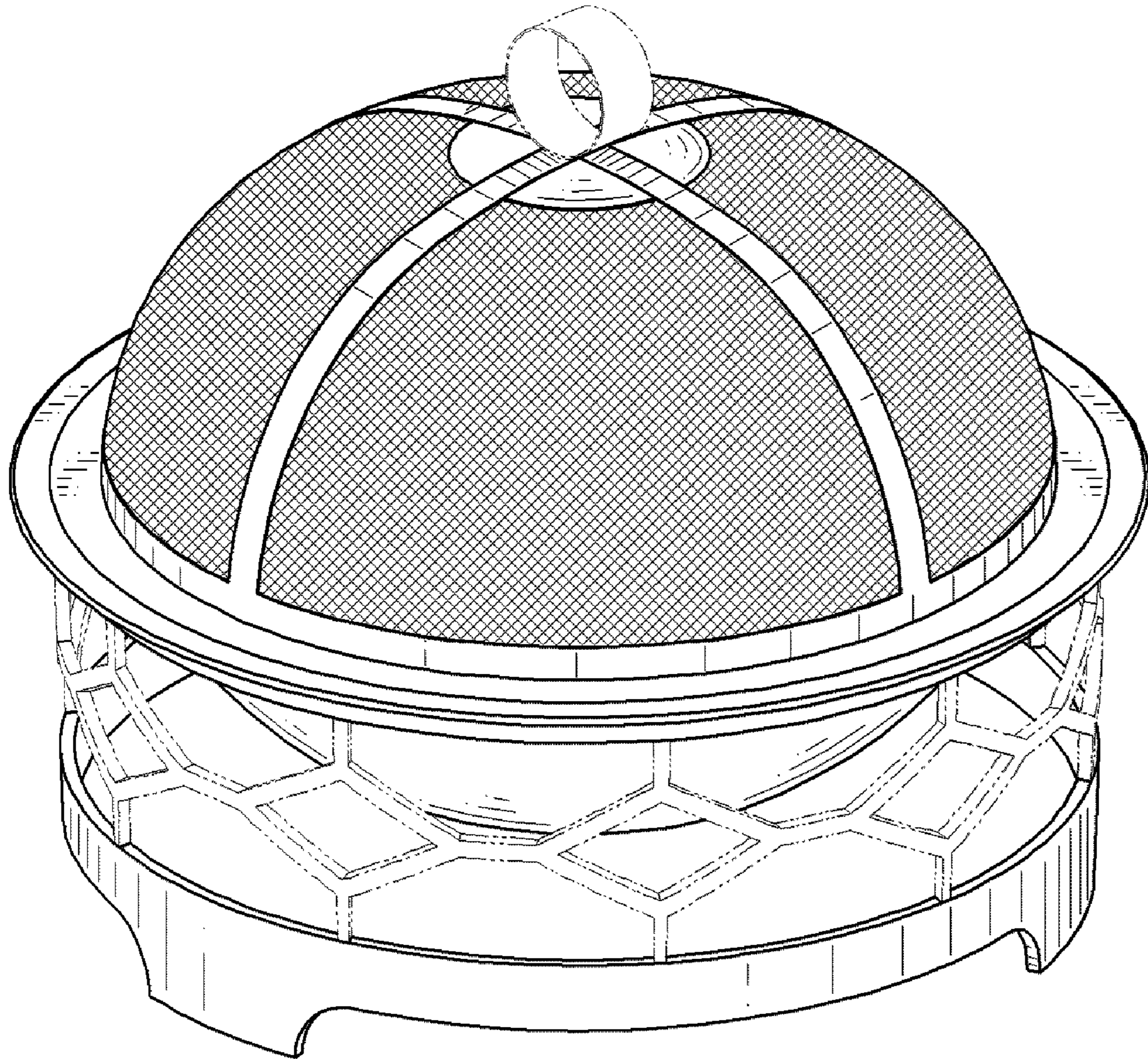


FIG. 9

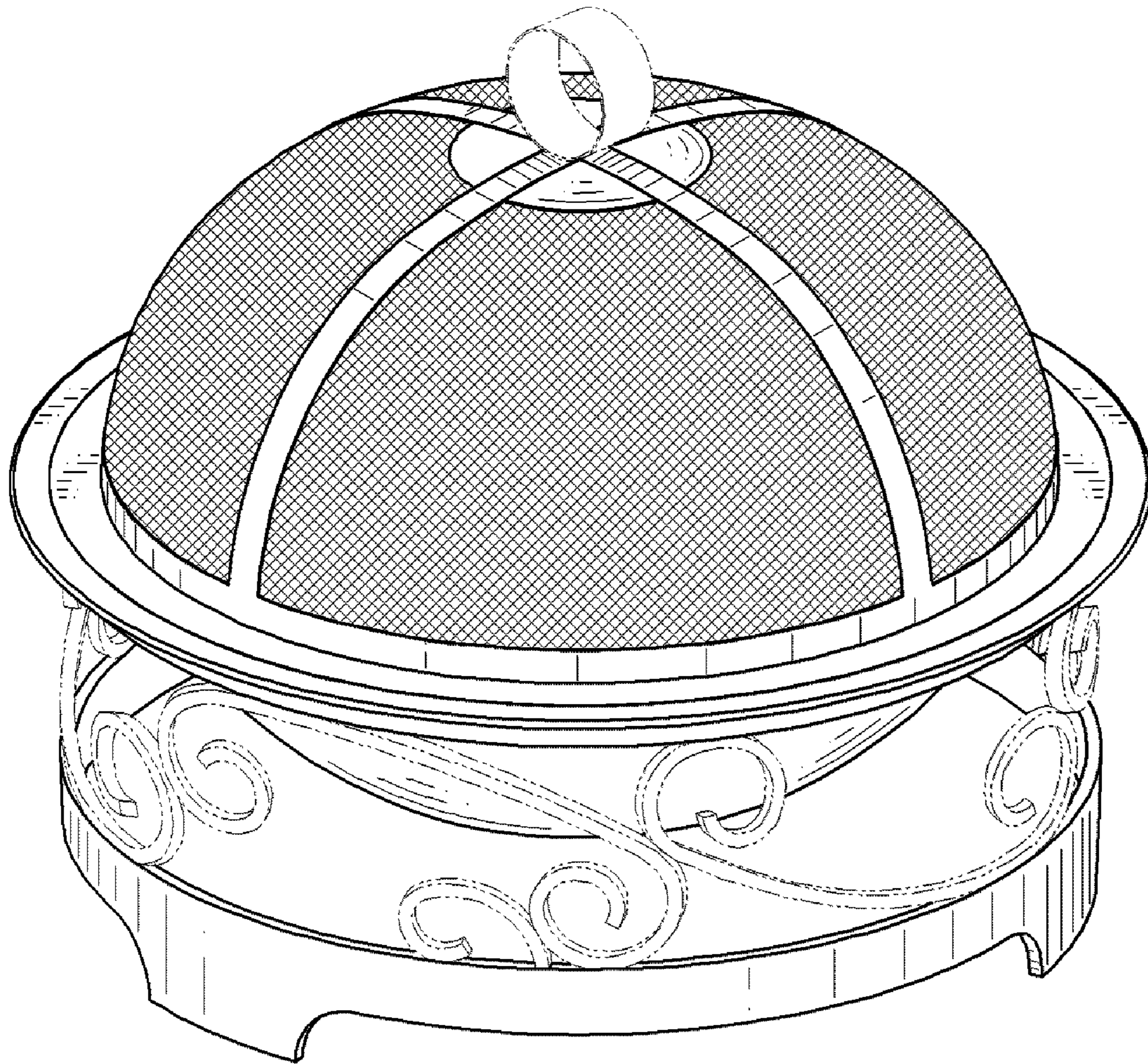


FIG. 10

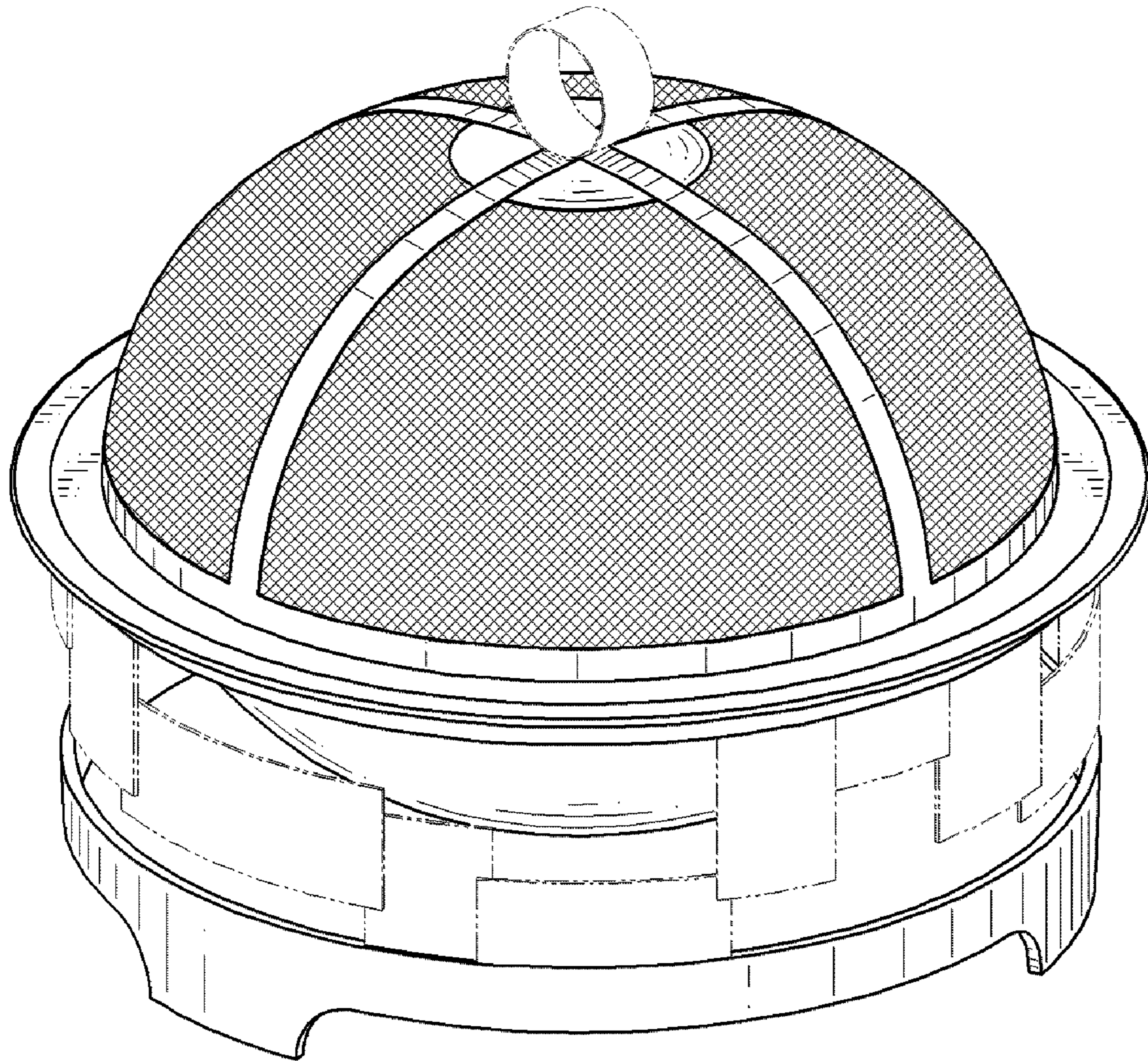


FIG. 11