



US00D633992S

(12) **United States Design Patent**
Rundberg et al.

(10) **Patent No.:** **US D633,992 S**
(45) **Date of Patent:** **** Mar. 8, 2011**

(54) **LAVATORY**

(75) Inventors: **Michelle L. Rundberg**, Jackson, WI (US); **Dale S. Dilulio**, Saukville, WI (US)

(73) Assignee: **Bradley Fixtures Corporation**, Menomonee Falls, WI (US)

(**) Term: **14 Years**

(21) Appl. No.: **29/369,968**

(22) Filed: **Sep. 15, 2010**

Related U.S. Application Data

(62) Division of application No. 29/345,991, filed on Oct. 23, 2009, now Pat. No. Des. 625,792.

(51) **LOC (9) Cl.** **23-02**

(52) **U.S. Cl.** **D23/308**

(58) **Field of Classification Search** D23/284–287,
D23/293.1, 303, 308

See application file for complete search history.

(56) **References Cited**

U.S. PATENT DOCUMENTS

D468,815 S	1/2003	Kahle et al.	
D474,835 S	5/2003	Kahle et al.	
D501,674 S	2/2005	Adkison	
D539,879 S *	4/2007	Stein	D23/293.1
D545,415 S *	6/2007	Tani et al.	D23/293.1
D560,782 S *	1/2008	Marshall et al.	D23/293.1
D560,783 S	1/2008	Marshall et al.	
D560,784 S	1/2008	Marshall et al.	
D611,128 S *	3/2010	Soulier	D23/293.1
2005/0223485 A1	10/2005	Nijhof	

OTHER PUBLICATIONS

Blanco Zeus product from Cosentino S.A., Showroom Bathroom, printed on Jul. 15, 2009 from http://www.silestone.com/uk/showroom_wc.asp, 1 page.

Quick Drain™ USA, “Mechanical drawings of low profile side outlet shower drain and linear wall channel drains from Quick Drain USA”, accessed from http://www.quickdrainusa.com/drawings/quick_drain_drawings.html on Apr. 13, 2009, 7 pages.

Quick Drain USA: Updating the Old Round Center Drain, published at least by Apr. 13, 2009, 1 page.

Neo-Metro, “5/5” Ebb® Concept Wall Mounted”, last revised on May 8, 2008, 4 pages.

Neo-Metro, “Installation Instructions”, date revised Aug. 28, 2008, 1 page.

Neo-Metro, “Installation Instructions”, date revised Jul. 31, 2008, 1 page.

Neo-Metro, images printed from website <http://www.neo-metro.com/images/lindewgs/sch9112-wm.jpg> on Feb. 5, 2009, 1 page.

* cited by examiner

Primary Examiner—Robert A Delehanty

(74) *Attorney, Agent, or Firm*—Foley & Lardner LLP

(57) **CLAIM**

We claim the ornamental design for a lavatory, as shown and described.

DESCRIPTION

FIG. 1 is a top perspective view of a claimed design;

FIG. 2 is a bottom perspective view thereof;

FIG. 3 is a top view thereof;

FIG. 4 is a bottom view thereof;

FIG. 5 is a front view thereof;

FIG. 6 is a rear view thereof;

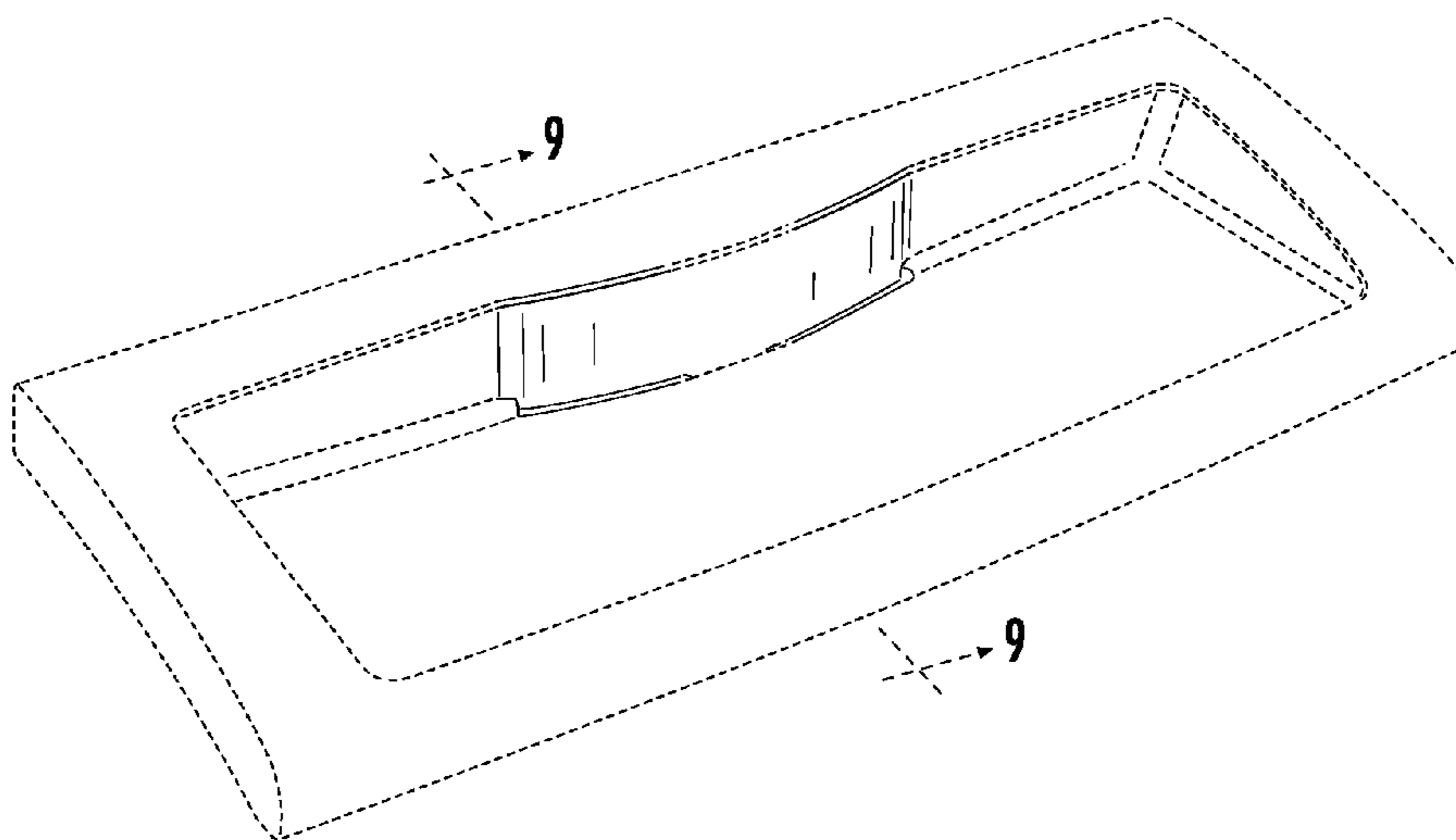
FIG. 7 is a right side view thereof;

FIG. 8 is a left side view thereof; and,

FIG. 9 is a section view thereof taken along line 9—9 in FIG. 1.

The ornamental design which is claimed is shown in solid lines in the drawings. The broken lines in the drawings are for illustrative purposes only and form no part of the claimed design.

1 Claim, 7 Drawing Sheets



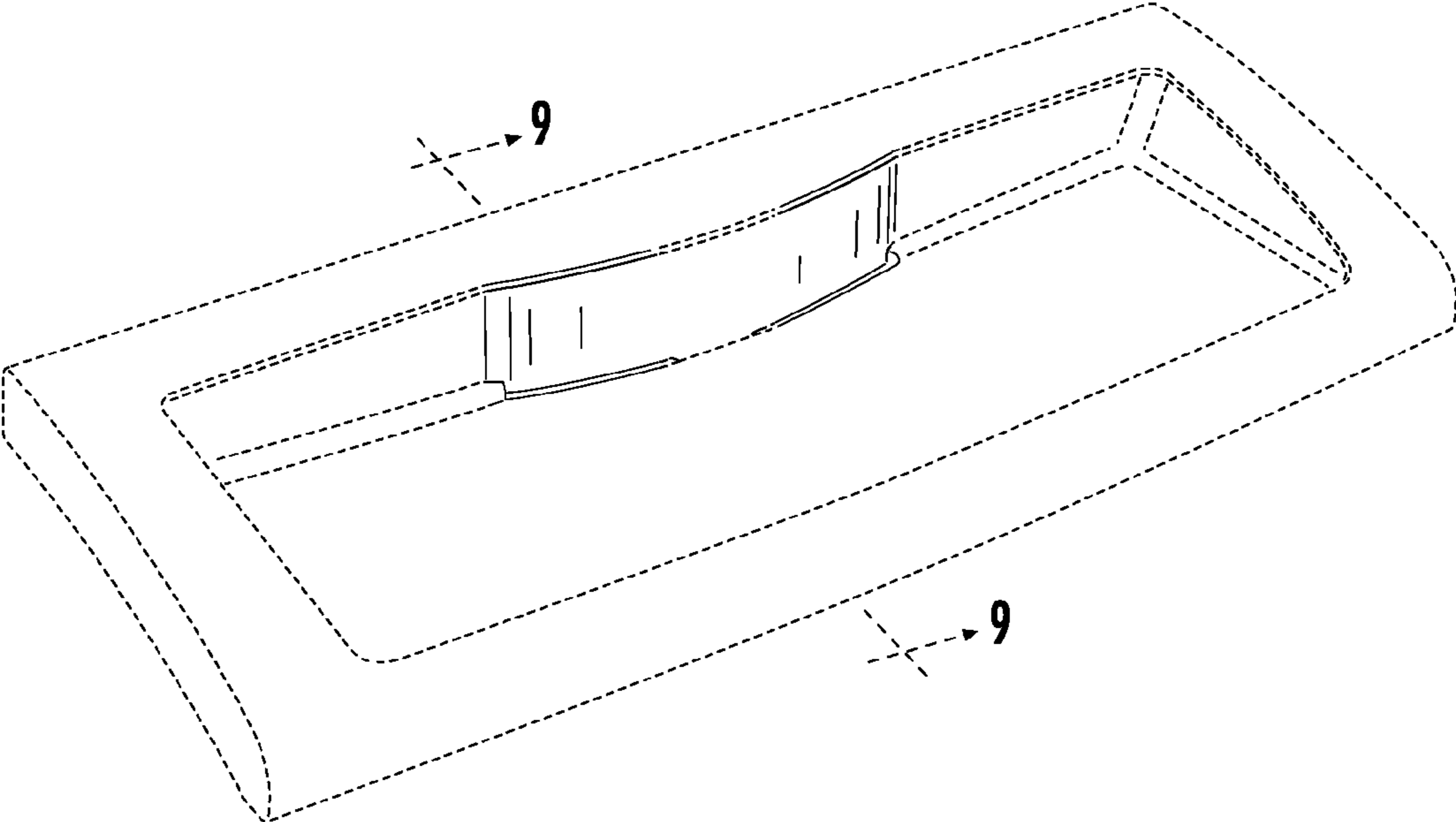


FIG. 1

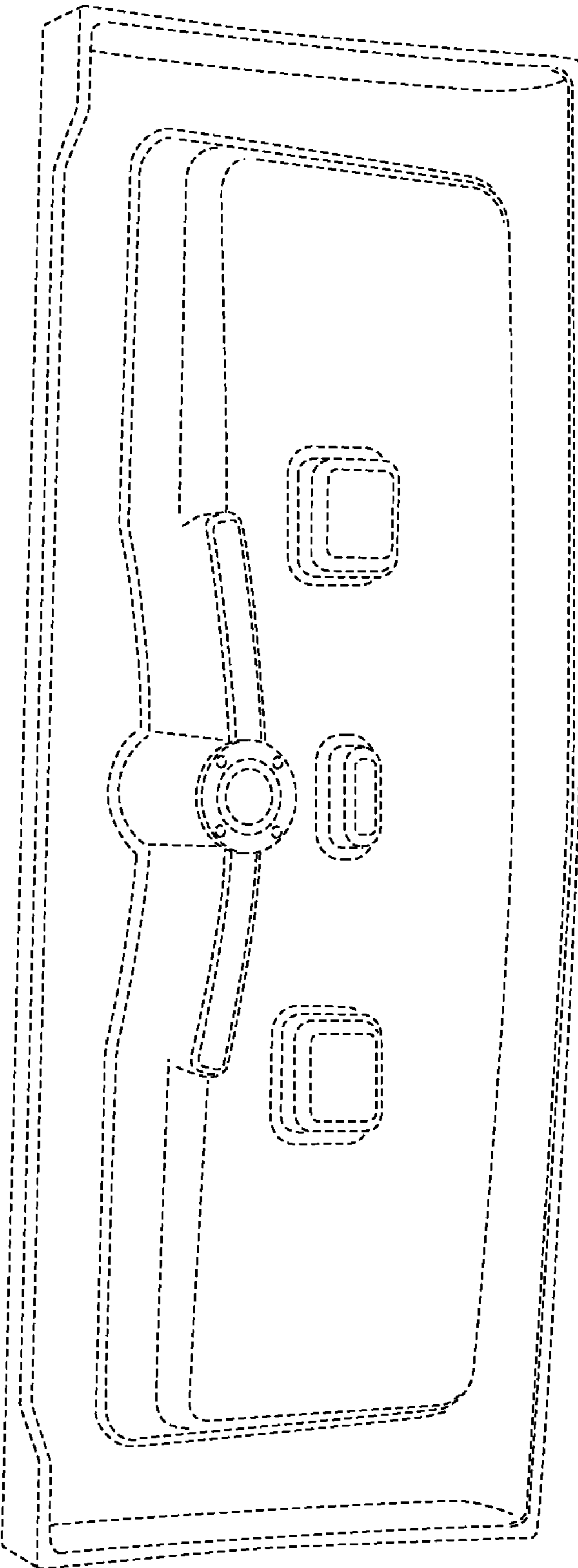


FIG. 2

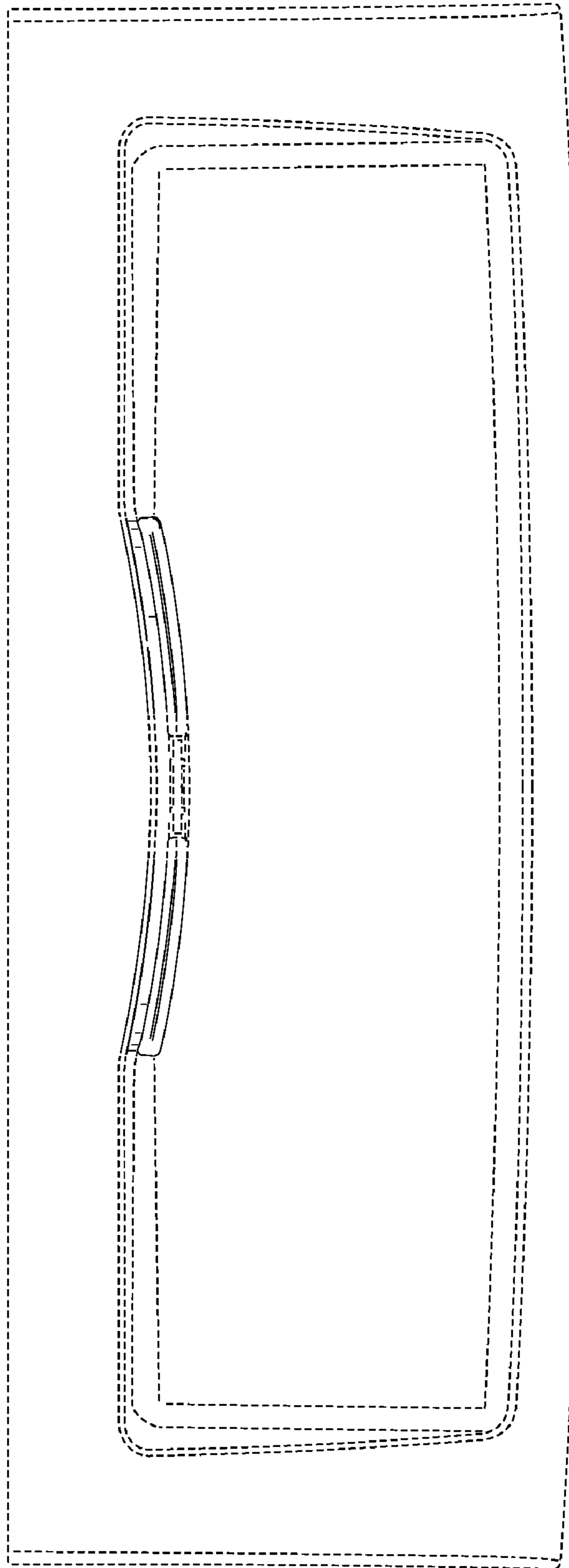


FIG. 3

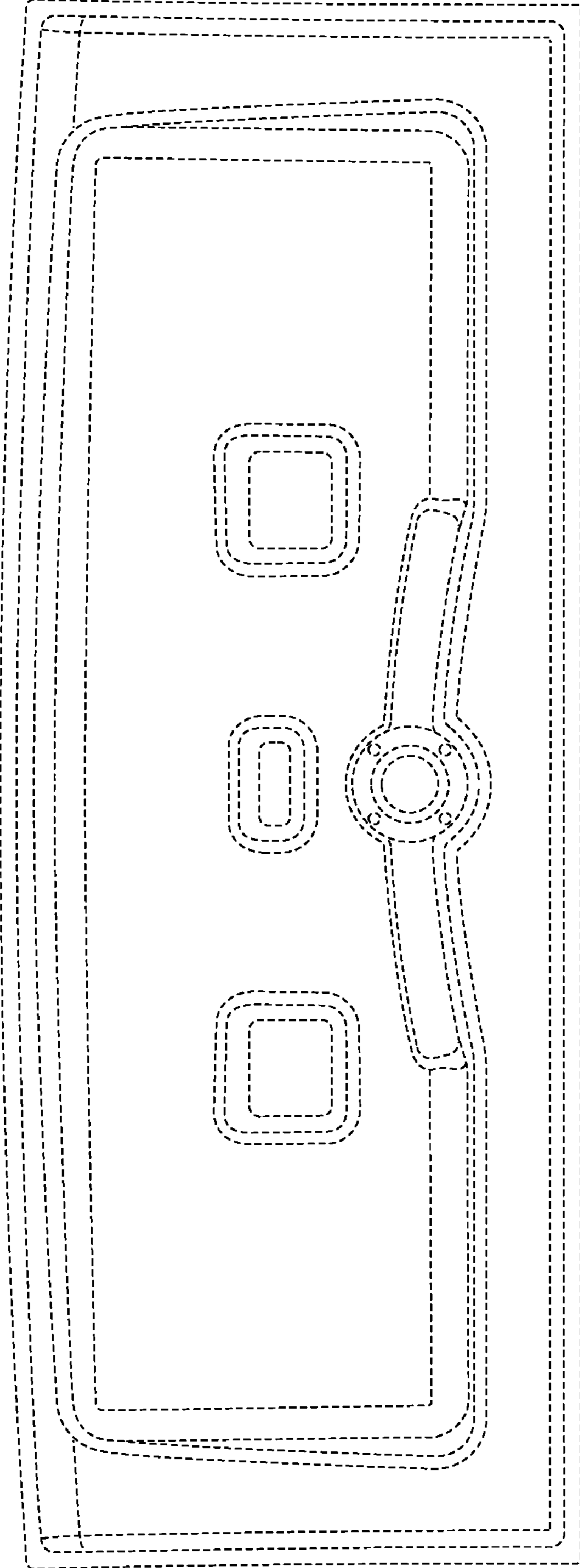


FIG. 4

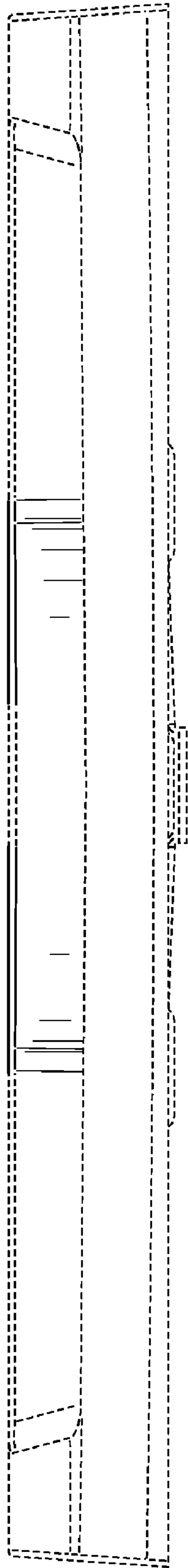


FIG. 5

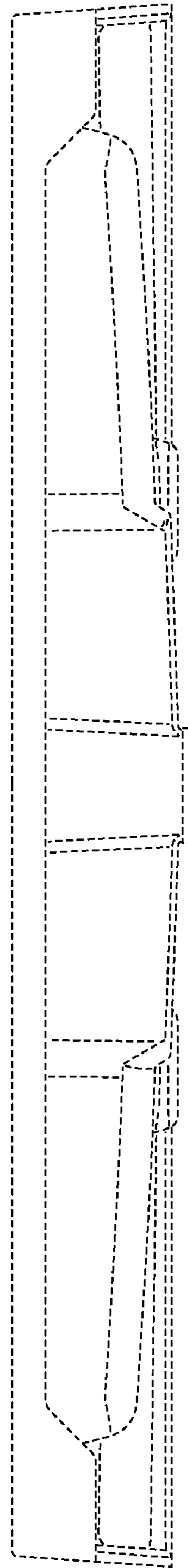


FIG. 6

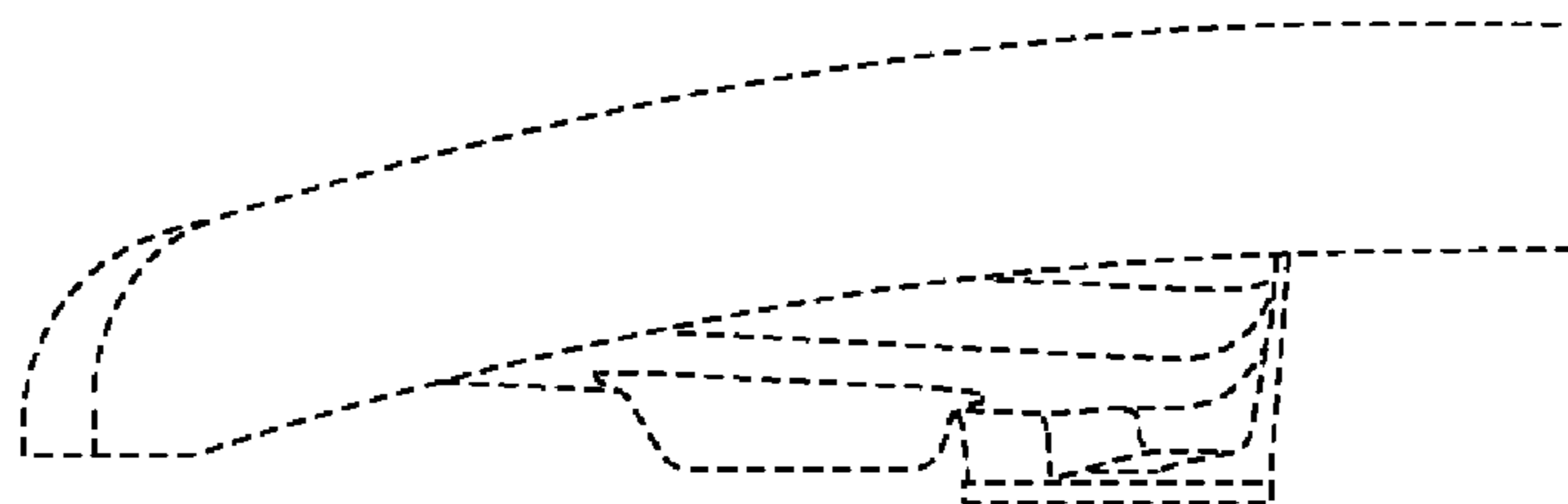


FIG. 7

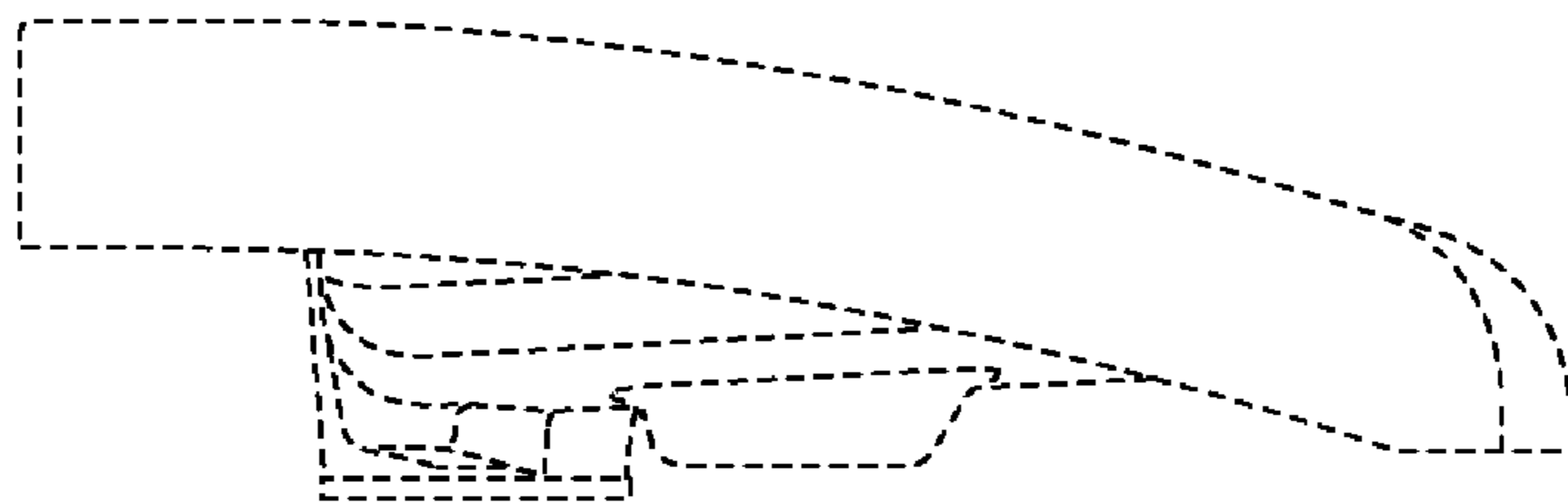


FIG. 8

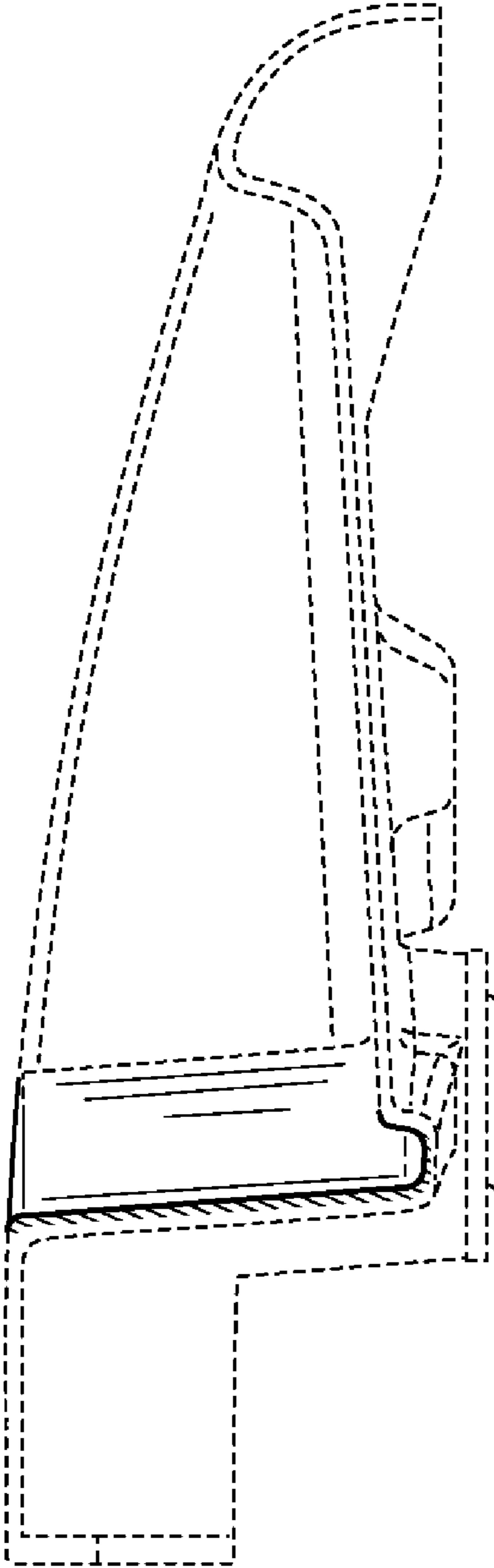


FIG. 9