



US00D633991S

(12) **United States Design Patent**  
**Nakagawa**

(10) **Patent No.:** **US D633,991 S**

(45) **Date of Patent:** **\*\* Mar. 8, 2011**

(54) **GATE VALVE SEAL**

(74) *Attorney, Agent, or Firm* — The Webb Law Firm

(75) Inventor: **Ippei Nakagawa**, Machida (JP)

(73) Assignee: **Nippon Valqua Industries, Ltd.**, Tokyo (JP)

(57) **CLAIM**

The ornamental design for a gate valve seal, as shown and described.

(\*\*) Term: **14 Years**

(21) Appl. No.: **29/337,562**

(22) Filed: **May 26, 2009**

(51) **LOC (9) Cl.** ..... **23-01**

(52) **U.S. Cl.** ..... **D23/269**

(58) **Field of Classification Search** ..... D23/262,  
D23/269; 277/351–359, 572, 563, 504  
See application file for complete search history.

**DESCRIPTION**

(56) **References Cited**

**U.S. PATENT DOCUMENTS**

3,875,634	A *	4/1975	Minegishi	29/888.074
4,421,330	A *	12/1983	Burke	277/584
4,570,944	A *	2/1986	Traub	277/572
5,979,904	A *	11/1999	Balsells	277/554
6,402,944	B1 *	6/2002	Vaughan	210/190
6,886,833	B1 *	5/2005	von Engelbrechten et al.	277/551
7,299,941	B2	11/2007	McMahon, III et al.	
D556,866	S *	12/2007	Darce	D23/269
D557,387	S *	12/2007	Darce	D23/269
D561,877	S	2/2008	Hopkins et al.	
7,341,257	B2 *	3/2008	Toth et al.	277/551
D605,739	S *	12/2009	Henry et al.	D23/269
D607,091	S *	12/2009	Weston	D23/269
D614,272	S *	4/2010	Henry et al.	D23/269
2002/0140176	A1 *	10/2002	Tong	277/355
2005/0098957	A1 *	5/2005	Goss et al.	277/355
2008/0296846	A1 *	12/2008	Daggett et al.	277/355

**FOREIGN PATENT DOCUMENTS**

JP	11020128	A	1/1999
JP	11201288	A	7/1999
JP	1272633	S	6/2006

(Continued)

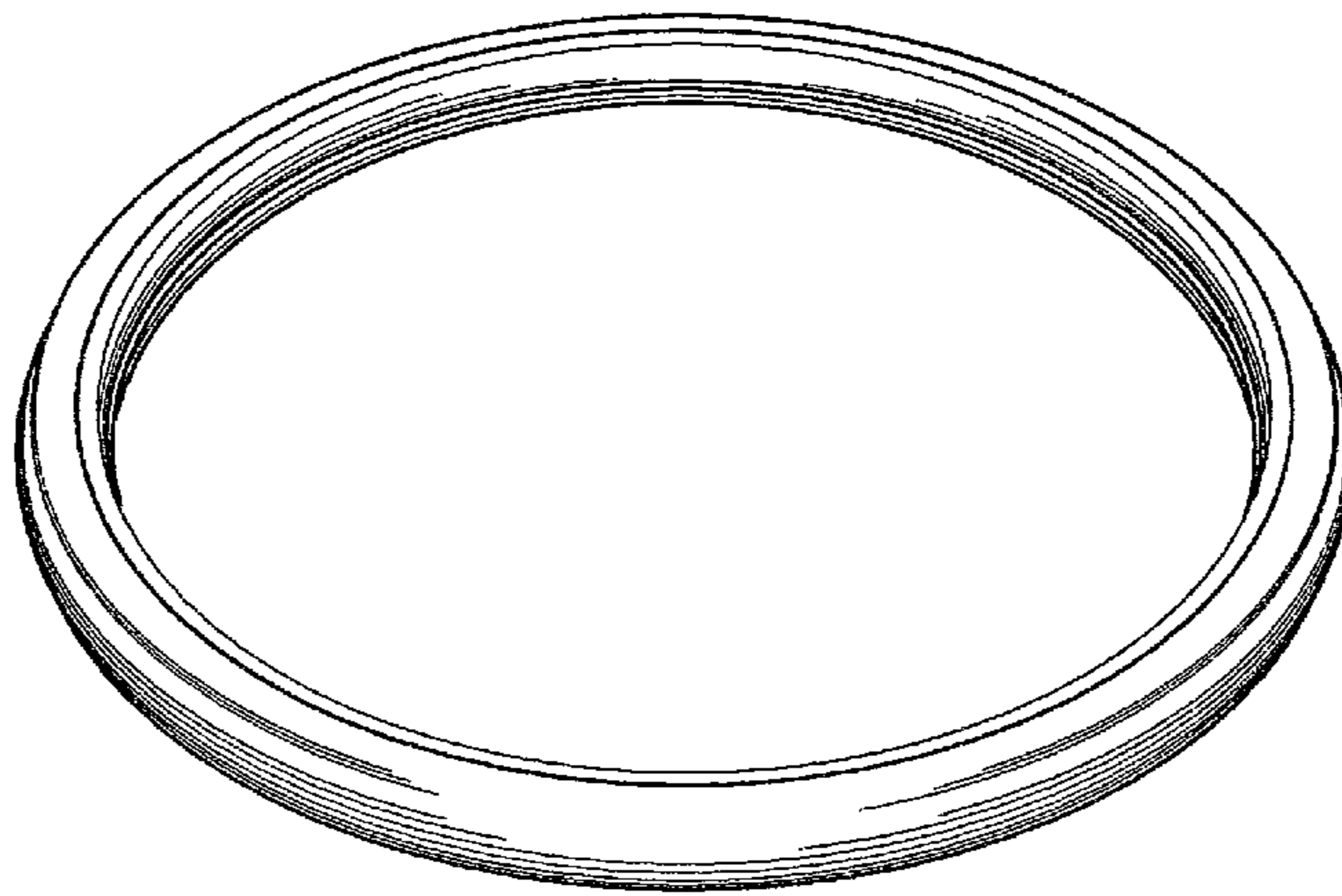
*Primary Examiner* — T. Chase Nelson

*Assistant Examiner* — Eric L. Goodman

FIG. 1 is a perspective view of a gate valve seal, in accordance with a first embodiment of the present invention;  
 FIG. 2 is a top plan view of the gate valve seal shown in FIG. 1, wherein the bottom plan view is identical to the top plan view;  
 FIG. 3 is a front plan view of the gate valve seal shown in FIG. 1, wherein the rear and side plan views are identical to the front plan view;  
 FIG. 4 is a cross-sectional view of the gate valve seal shown in FIG. 1, taken along the line 4—4 in FIG. 2;  
 FIG. 5 is a close-up view of detail 5 shown in FIG. 4;  
 FIG. 6 is a perspective view of a gate valve seal, in accordance with a second embodiment of the present invention;  
 FIG. 7 is a top plan view of the gate valve seal shown in FIG. 6, wherein the bottom plan view is identical to the top plan view;  
 FIG. 8 is a front plan view of the gate valve seal shown in FIG. 6, wherein the rear and side plan views are identical to the front plan view;  
 FIG. 9 is a cross-sectional view of the gate valve seal of FIG. 6, taken along the line 9—9 in FIG. 7; and,  
 FIG. 10 is a close-up view of detail 10 shown in FIG. 9.  
 Each embodiment of the present design has a uniform cross-section when taken at any point around the circumference of the seal.

The cross hatching shown in the cross-sectional views is included to designate the material of the seal in accordance with United States patent drawing conventions, and forms no part of the claimed design.

**1 Claim, 4 Drawing Sheets**

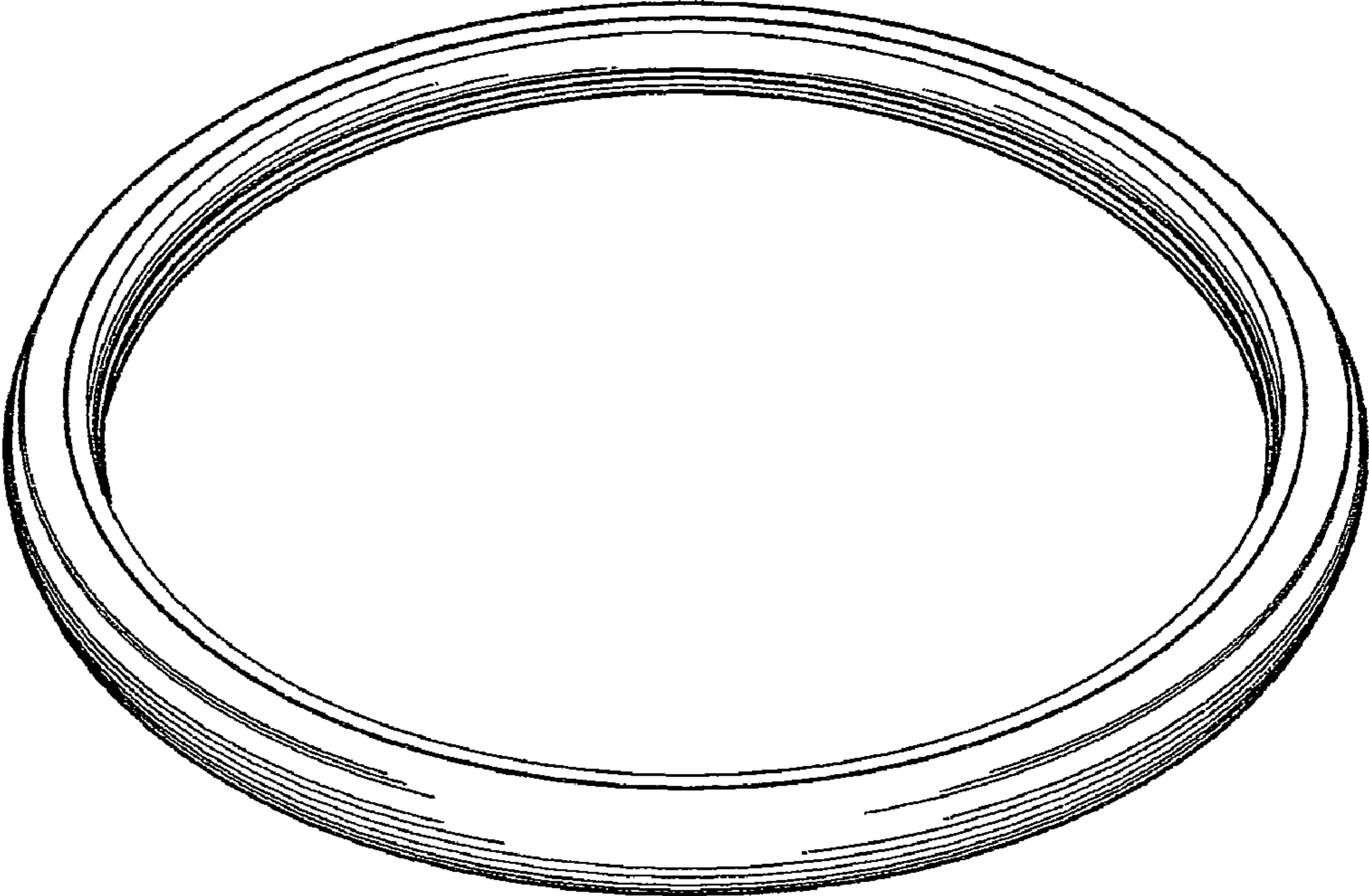


# US D633,991 S

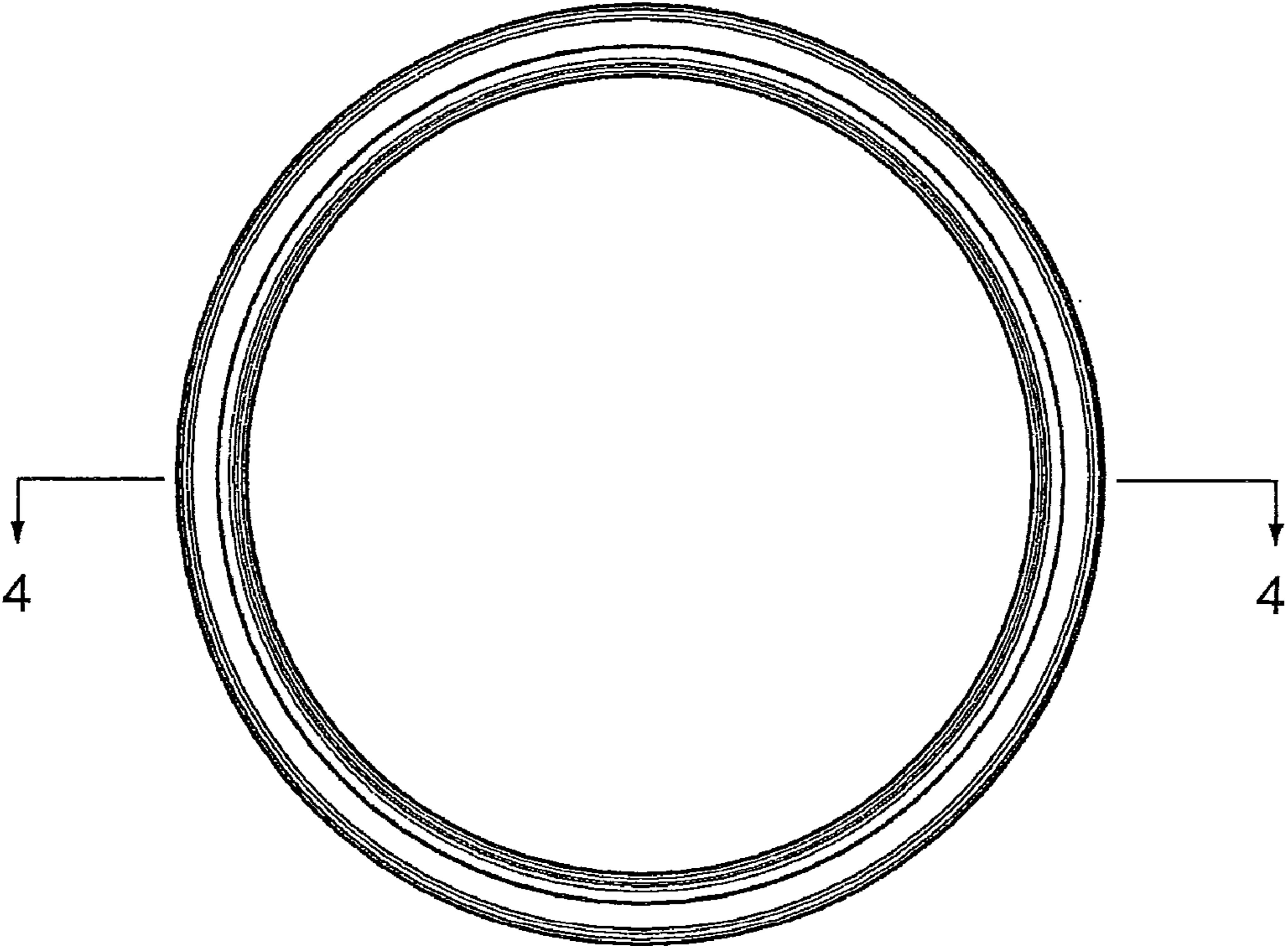
Page 2

---

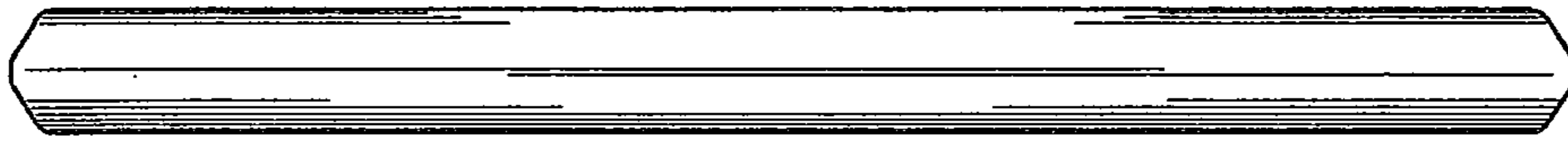
FOREIGN PATENT DOCUMENTS					
JP	1361605 S	5/2009	TW	123319 S	5/1996
JP	1361604 S	2/2010	TW	253730	12/2004
TW	319758 B	3/1993	TW	265252 B	11/2006
			* cited by examiner		



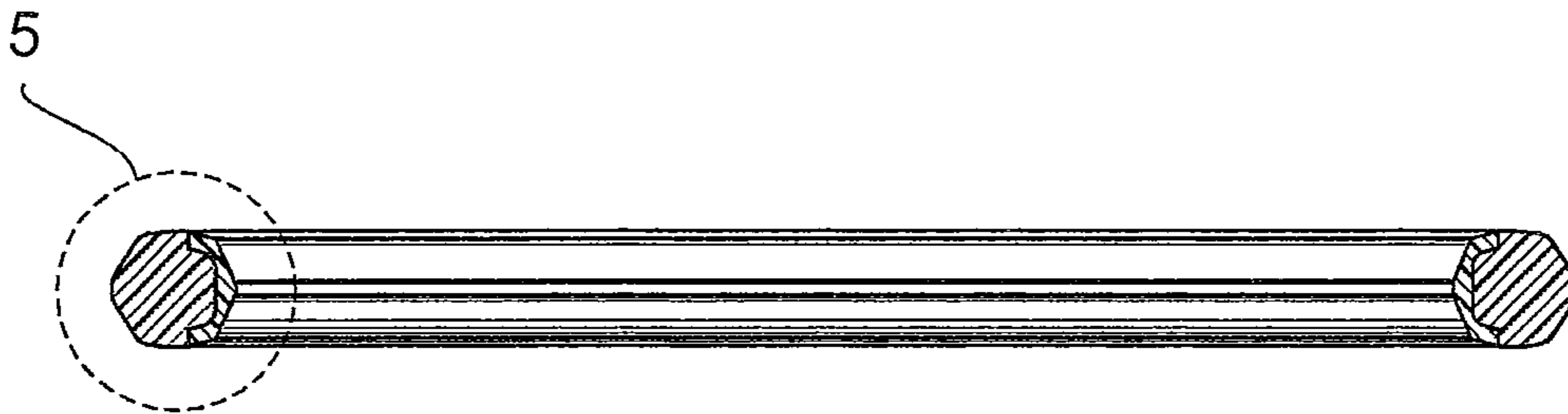
**FIG. 1**



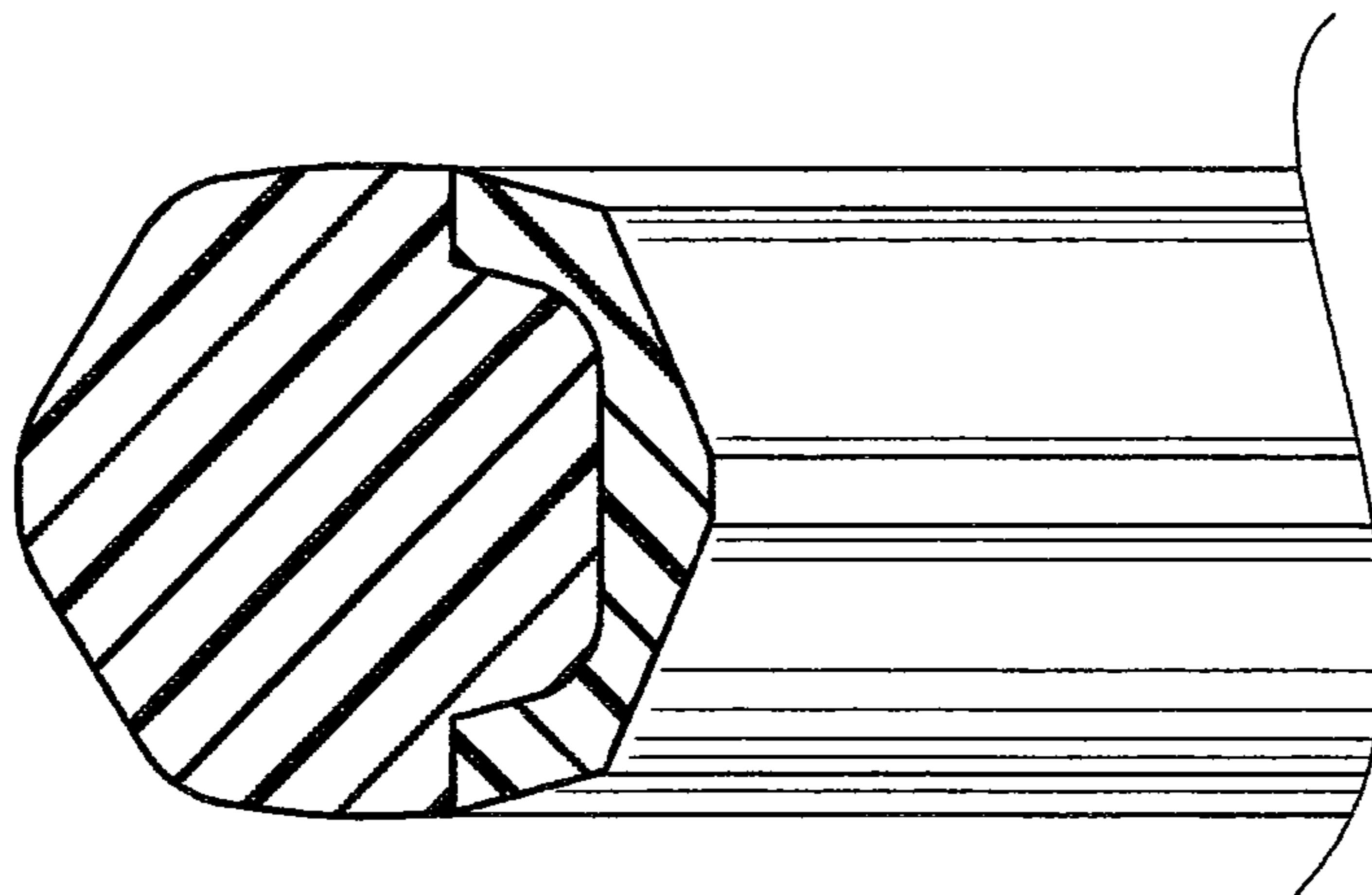
**FIG. 2**



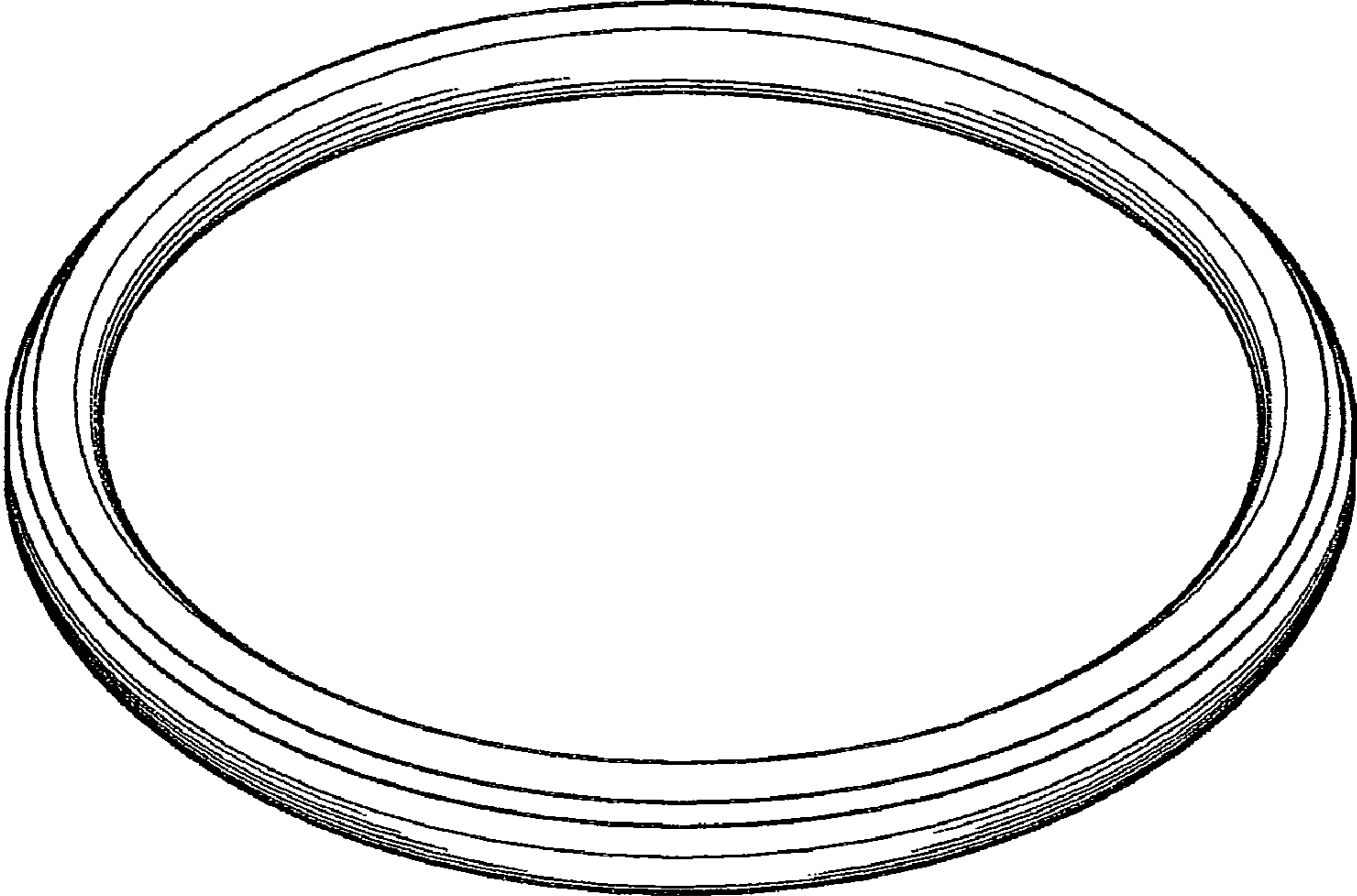
**FIG. 3**



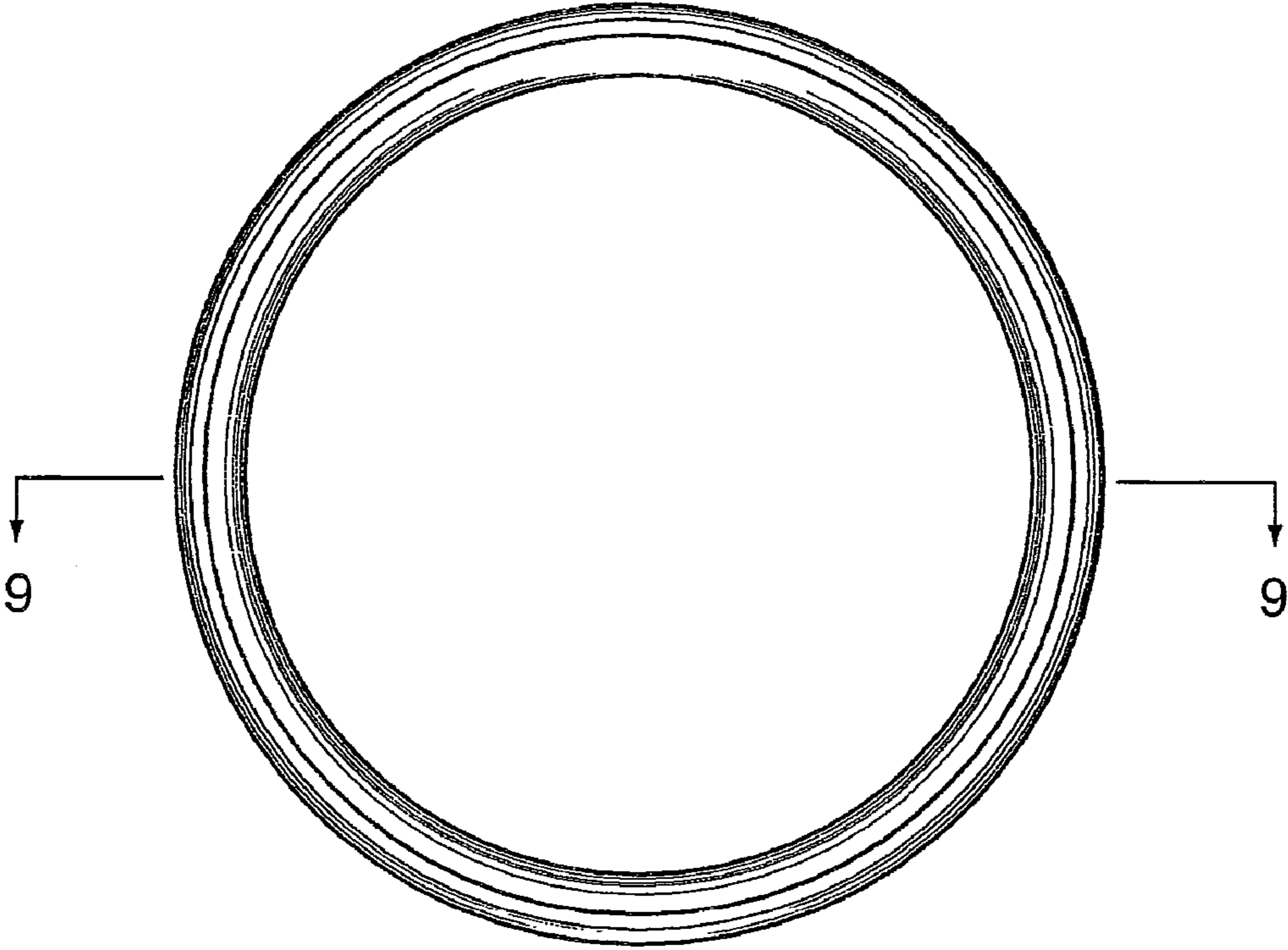
**FIG. 4**



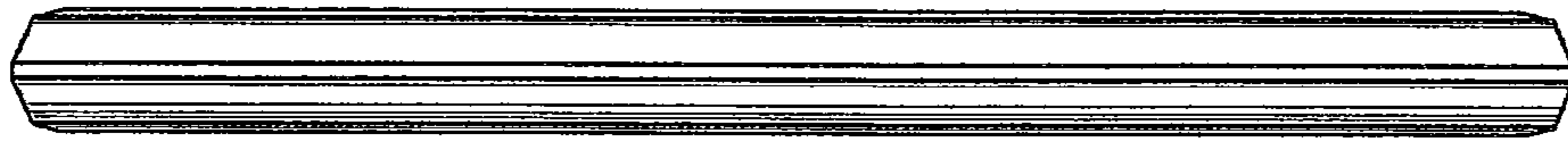
**FIG. 5**



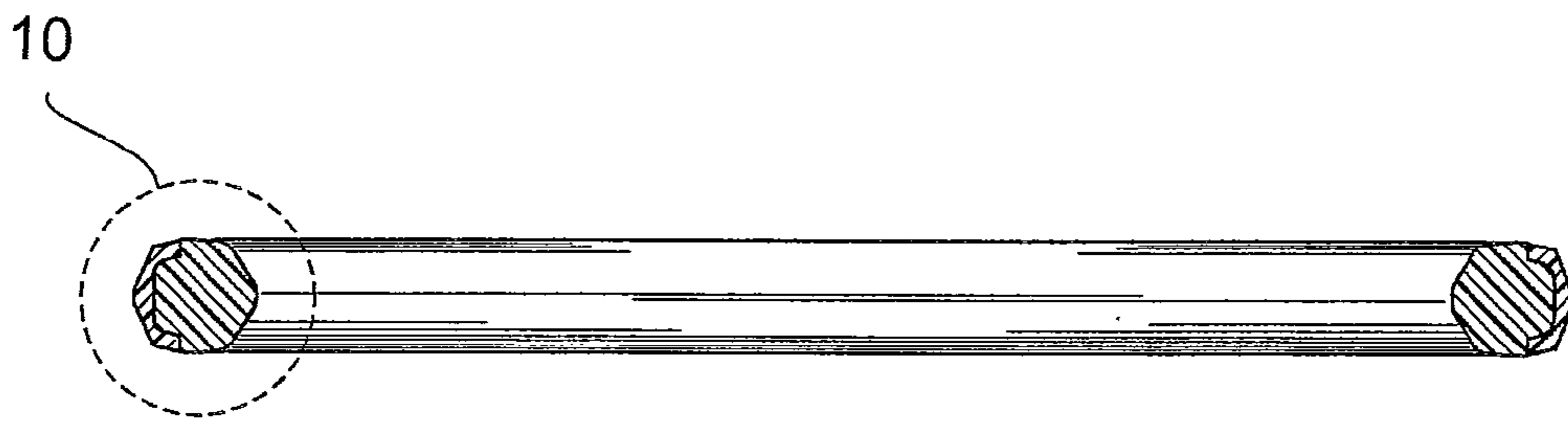
**FIG. 6**



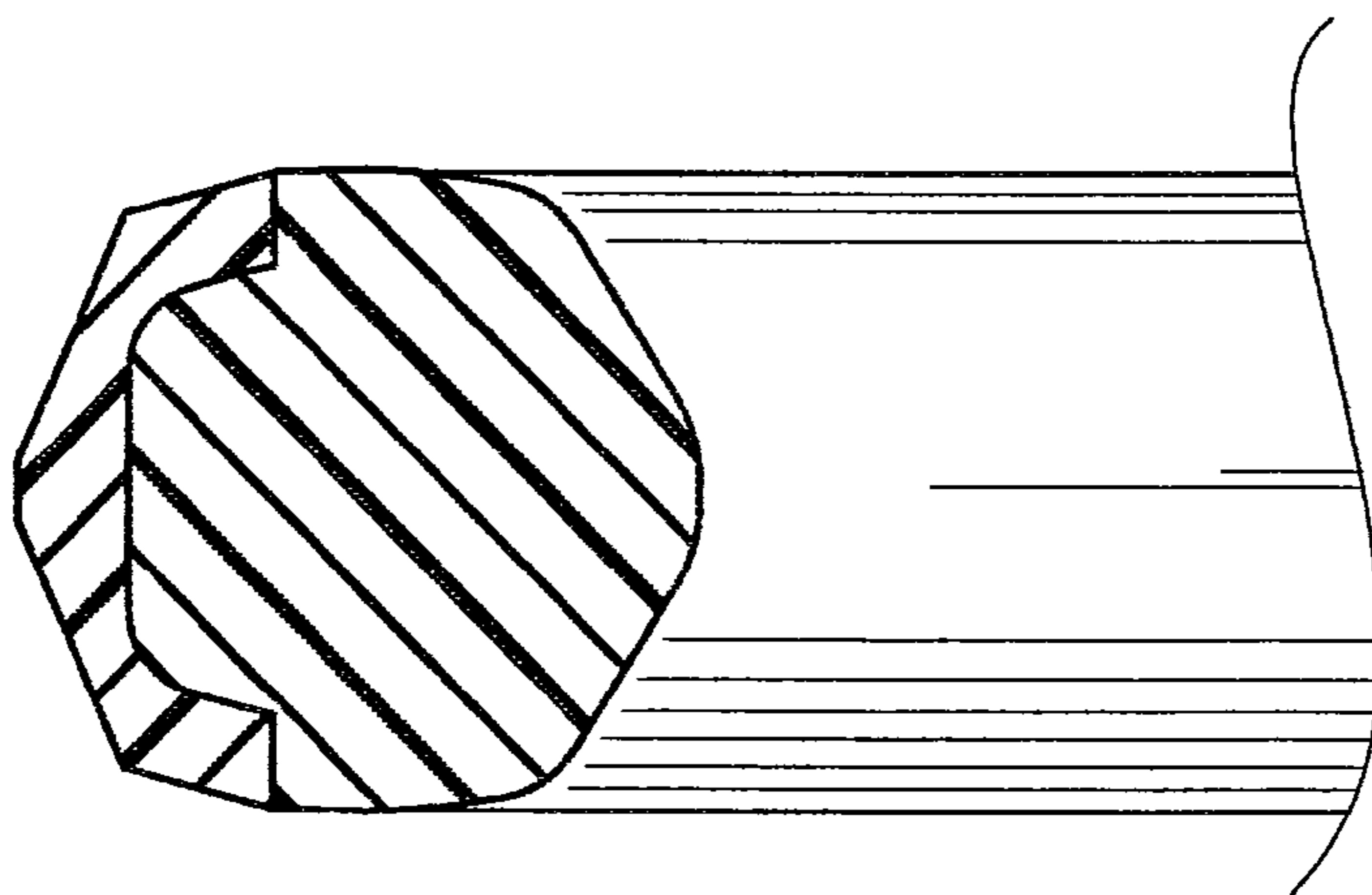
**FIG. 7**



**FIG. 8**



**FIG. 9**



**FIG. 10**

UNITED STATES PATENT AND TRADEMARK OFFICE  
**CERTIFICATE OF CORRECTION**

PATENT NO. : D633,991 S  
APPLICATION NO. : 29/337562  
DATED : March 8, 2011  
INVENTOR(S) : Nakagawa

Page 1 of 1

It is certified that error appears in the above-identified patent and that said Letters Patent is hereby corrected as shown below:

Title Page, insert the following:

-- (30)                      **Foreign Application Priority Data**  
Nov. 26, 2008      (JP) .....2008-030270  
Nov. 26, 2008      (JP) .....2008-030271 --

Signed and Sealed this  
Seventeenth Day of May, 2011



David J. Kappos  
*Director of the United States Patent and Trademark Office*