



US00D633986S

(12) **United States Design Patent**  
**Ito et al.**

(10) **Patent No.:** **US D633,986 S**  
(45) **Date of Patent:** **\*\* Mar. 8, 2011**

(54) **PRESSURE REGULATOR**

(75) Inventors: **Shinichi Ito**, Tsukubamirai (JP);  
**Michihiro Hanada**, Tsukubamirai (JP)

(73) Assignee: **SMC Corporation**, Chiyoda-ku, Tokyo  
(JP)

(\*\*) Term: **14 Years**

(21) Appl. No.: **29/365,167**

(22) Filed: **Jul. 4, 2010**

(30) **Foreign Application Priority Data**

Mar. 4, 2010 (JP) ..... 2010-005211

(51) **LOC (9) Cl.** ..... **23-01**

(52) **U.S. Cl.** ..... **D23/233**

(58) **Field of Classification Search** ..... D23/200,  
D23/207, 209, 233-237, 244-245, 249; D10/83,  
D10/85; 137/82.1, 116.3, 116.5, 237, 463,  
137/505, 505.25, 505.41-505.43, 505.46,  
137/549, 557, 614.2, 855, 906

See application file for complete search history.

(56) **References Cited**

**U.S. PATENT DOCUMENTS**

D103,582 S \* 3/1937 Murphy ..... D23/235  
D301,914 S \* 6/1989 Ogasawara et al. .... D23/209

D317,494 S \* 6/1991 Miyake et al. .... D23/235  
D410,525 S \* 6/1999 Uehara et al. .... D23/235  
D416,310 S \* 11/1999 Uehara et al. .... D23/235  
D444,723 S \* 7/2001 Honma ..... D10/85

\* cited by examiner

*Primary Examiner* — Cathron C. Brooks

*Assistant Examiner* — Maurice Stevens

(74) *Attorney, Agent, or Firm* — Yokoi & Co., U.S.A., Inc.;  
Toshiyuki Yokoi

(57) **CLAIM**

The ornamental design for a pressure regulator, as shown and described.

**DESCRIPTION**

FIG. 1 shows a front view of a pressure regulator showing my new design;

FIG. 2 shows a rear view thereof;

FIG. 3 shows a right side view thereof;

FIG. 4 shows a left side view thereof;

FIG. 5 shows a top view thereof;

FIG. 6 shows a bottom view thereof;

FIG. 7 shows a top, front and right side perspective view thereof; and,

FIG. 8 shows a bottom, front and left side perspective view thereof.

The broken lines showing unclaimed portions of the pressure regulator in FIGS. 3 and 4 form no part of the claimed design.

**1 Claim, 7 Drawing Sheets**

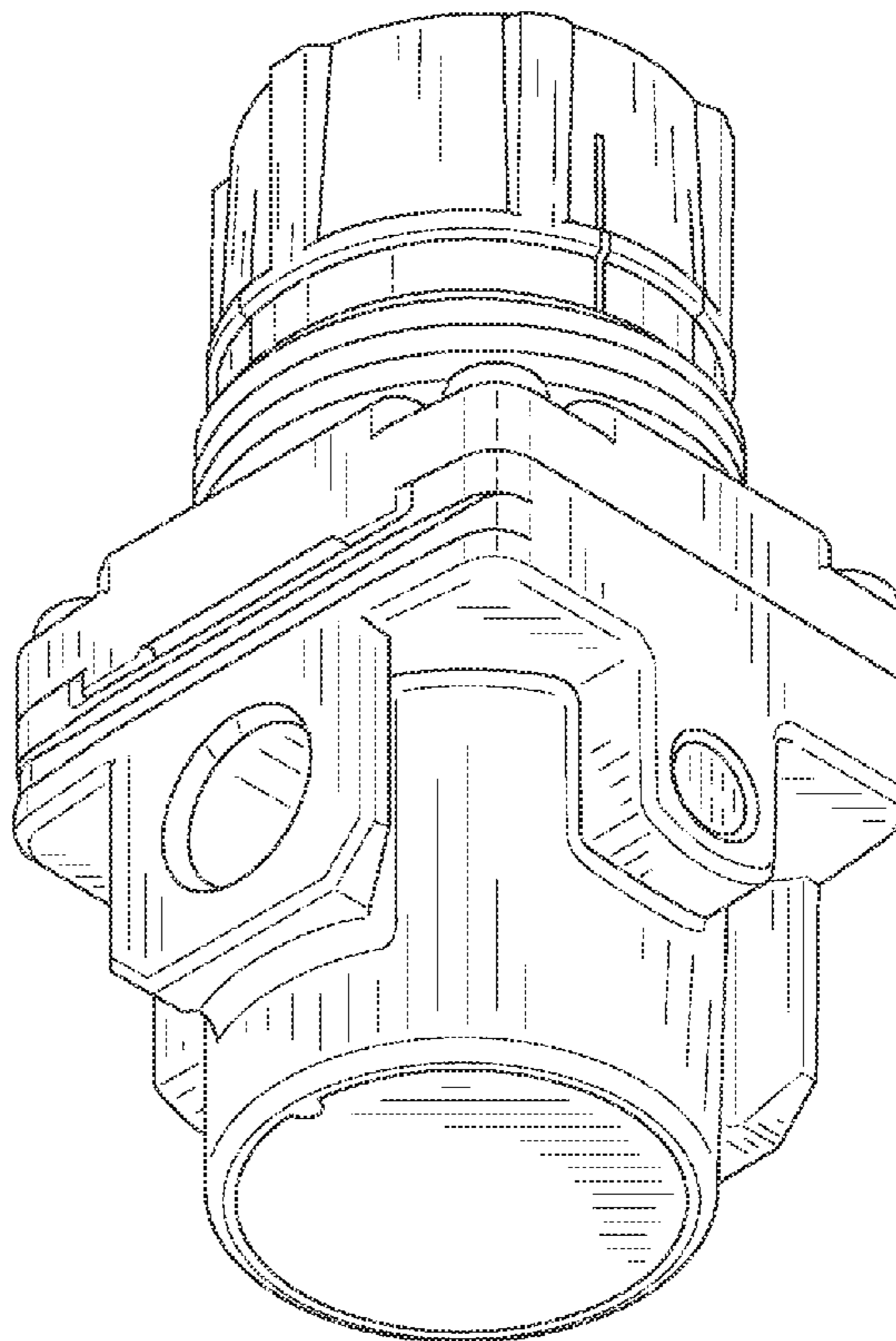
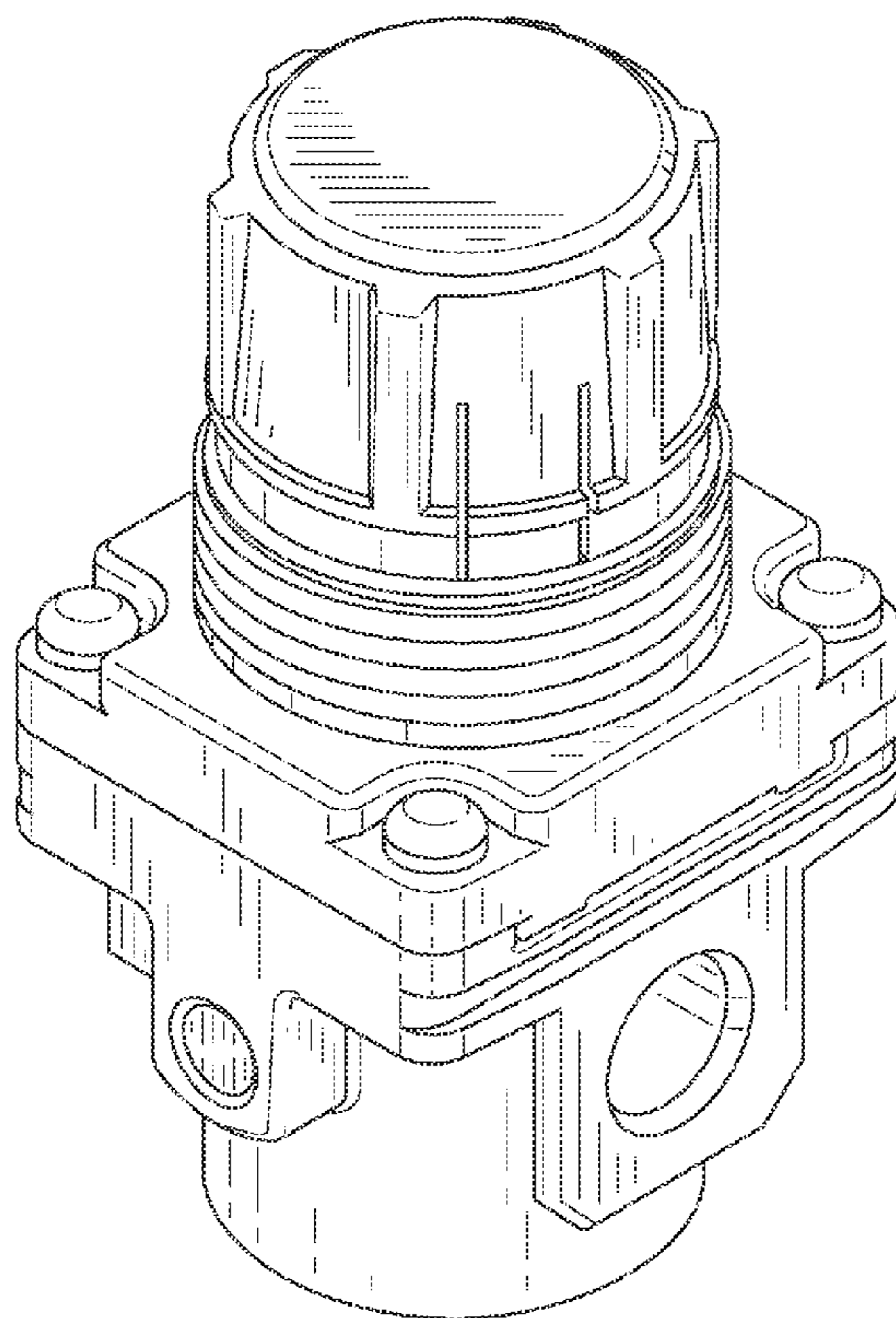


FIG. 1

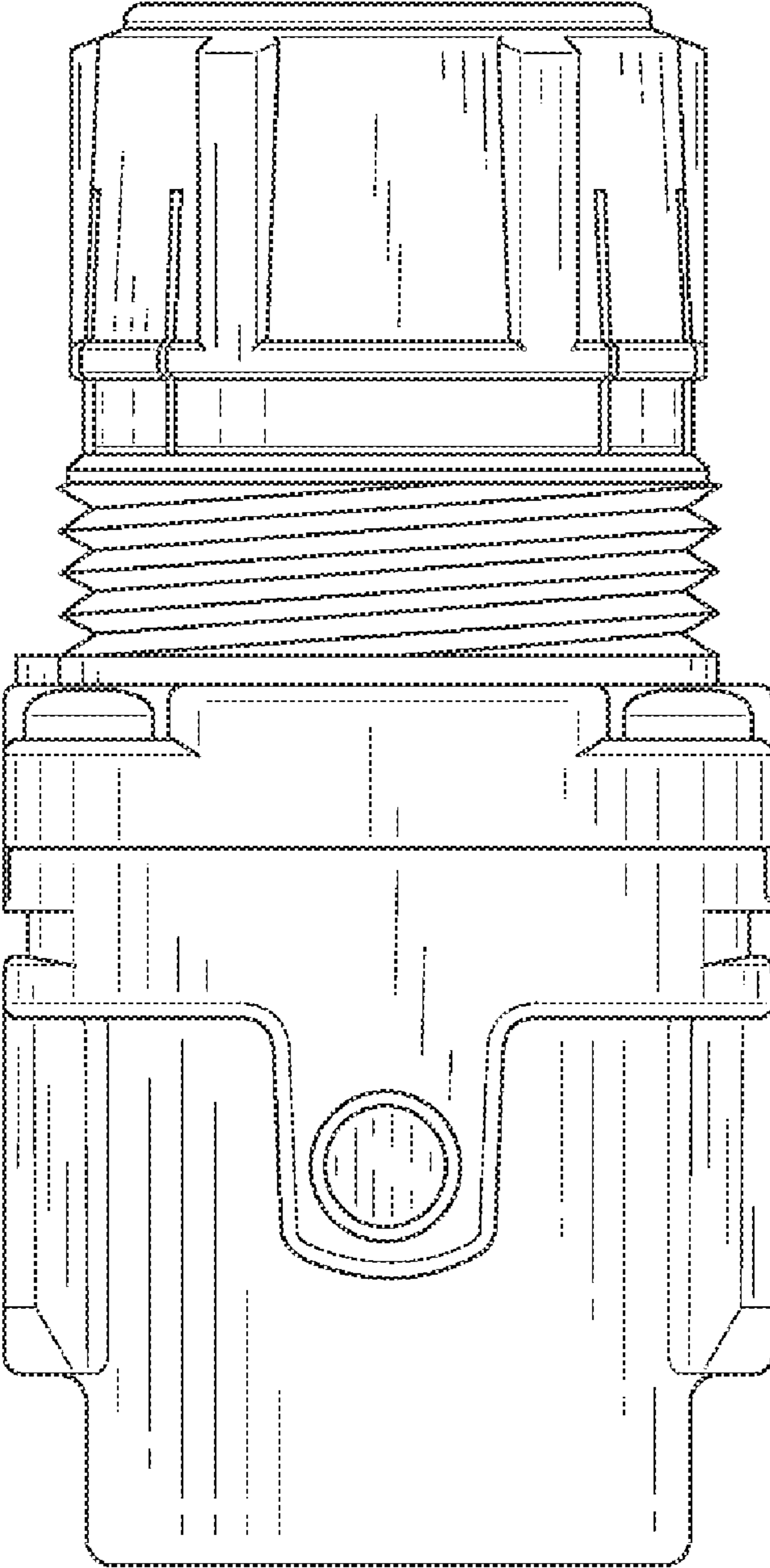


FIG. 2

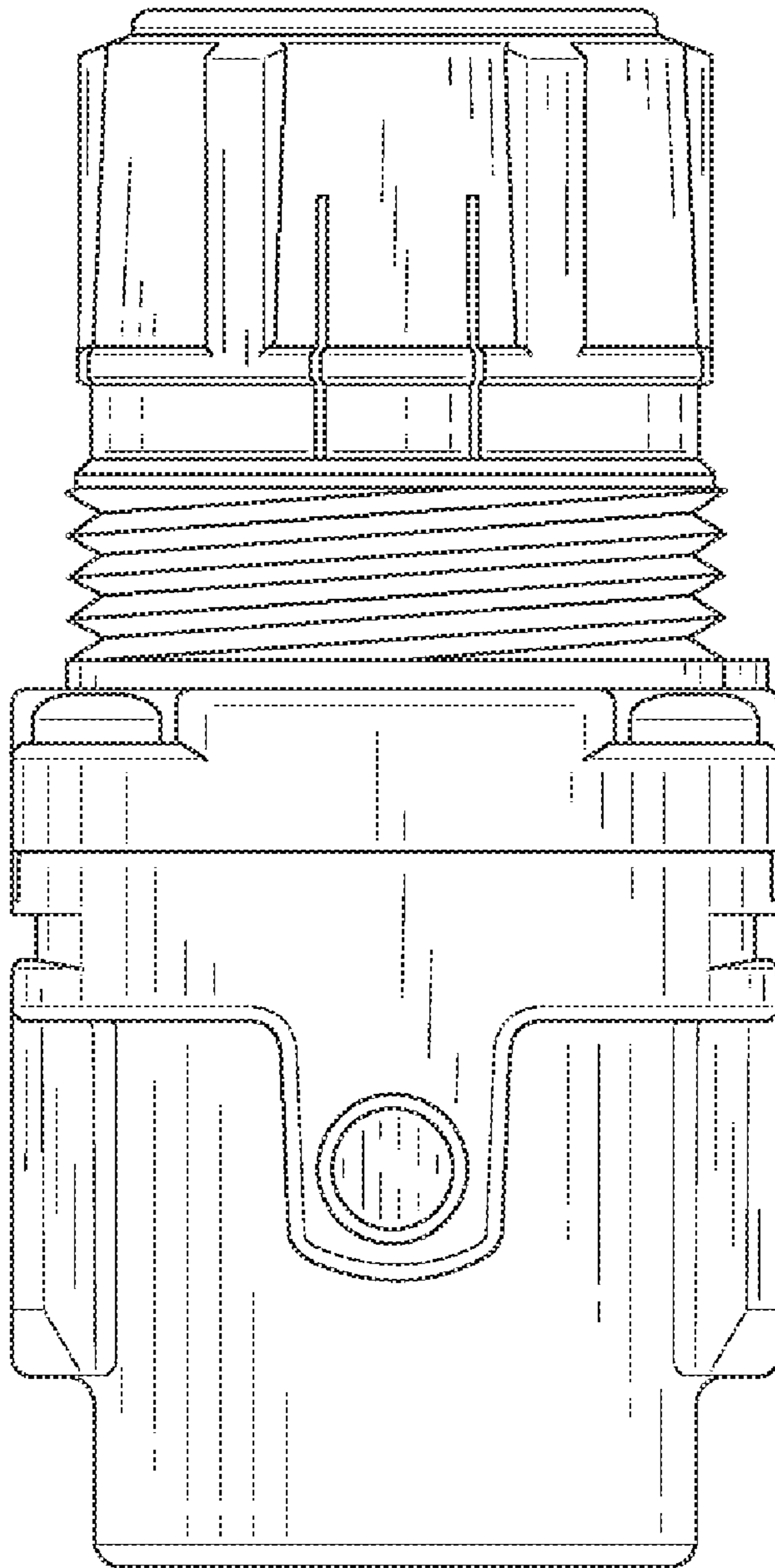


FIG. 3

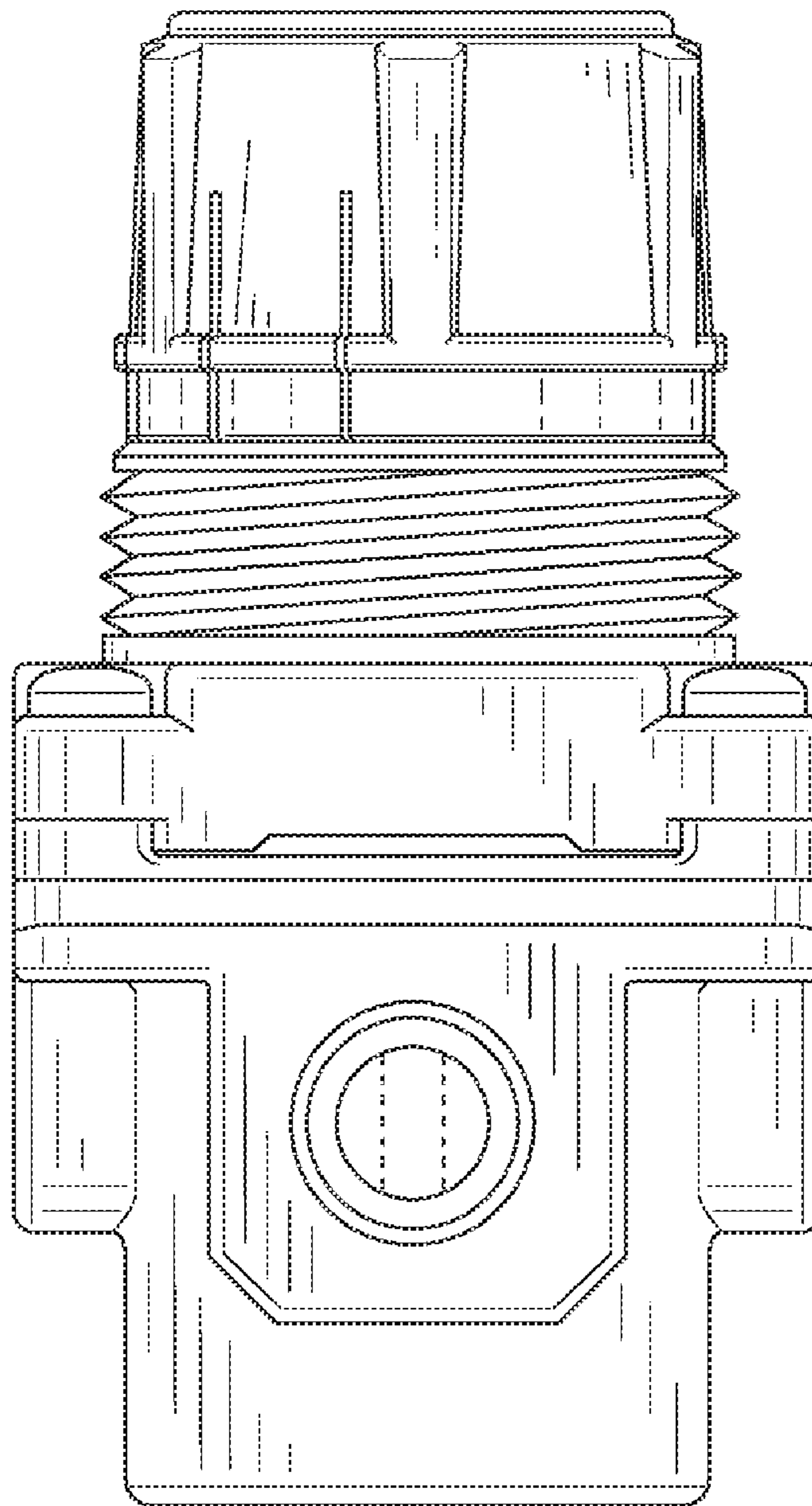


FIG. 4

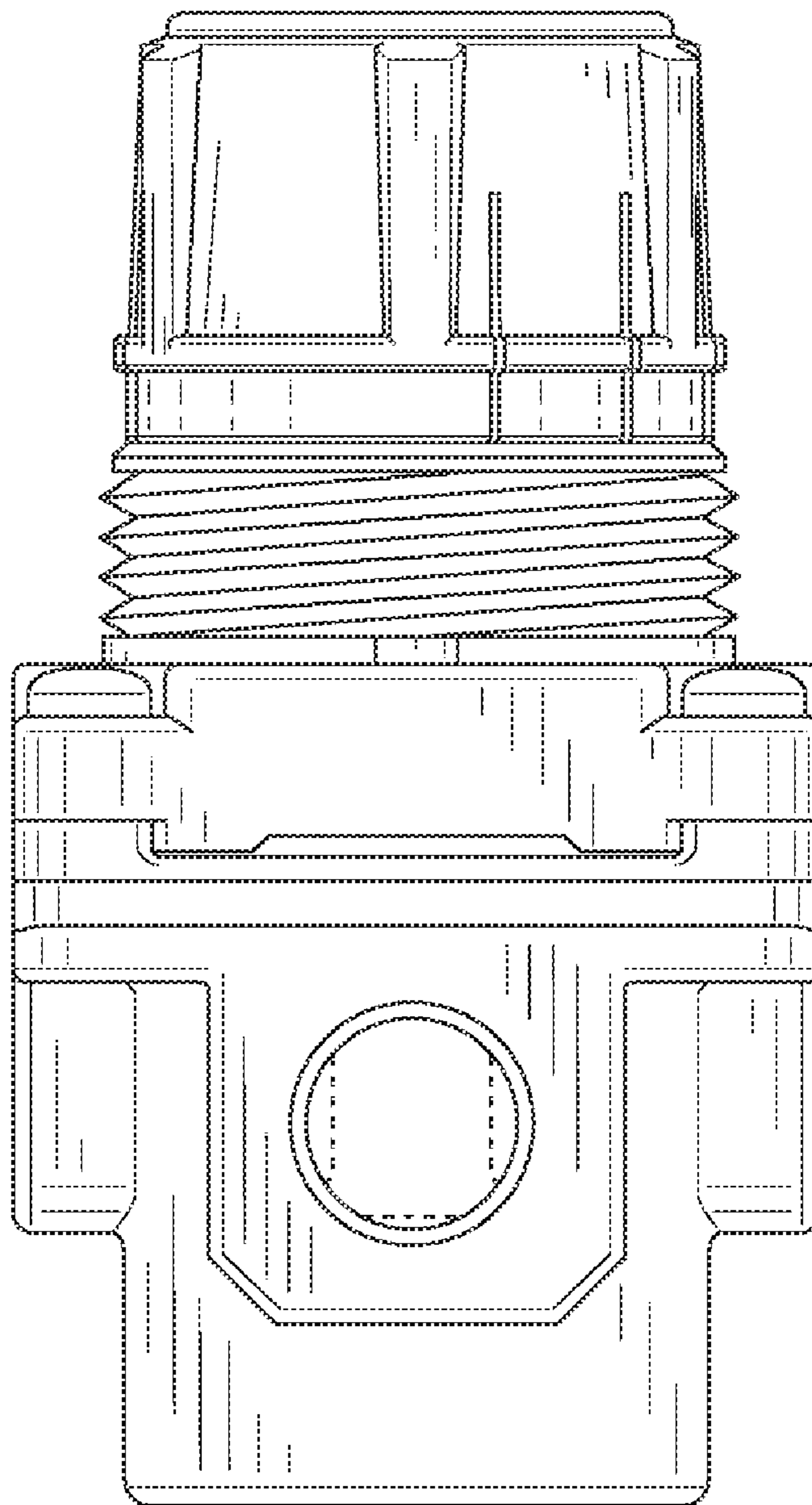


FIG. 5

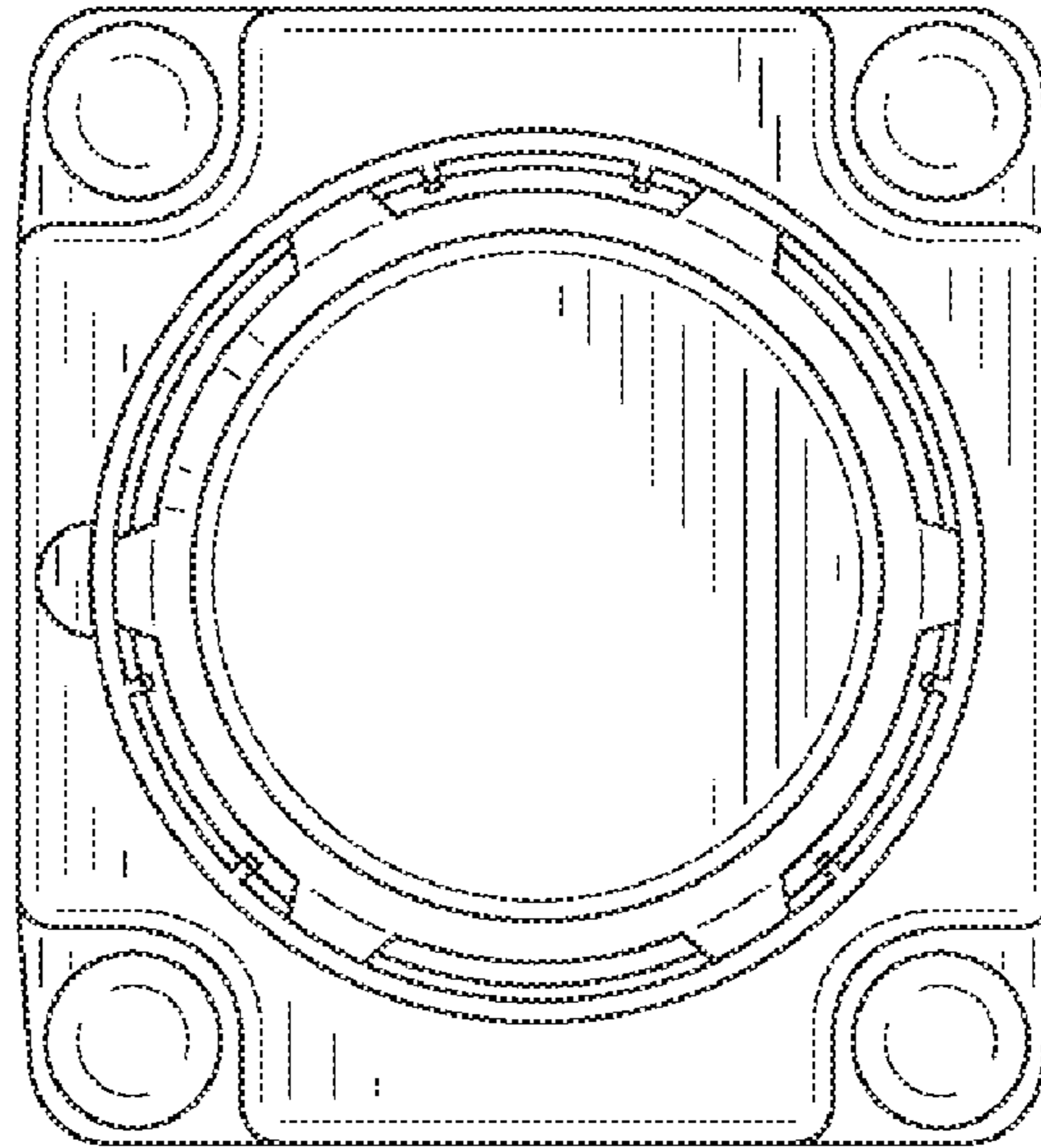


FIG. 6

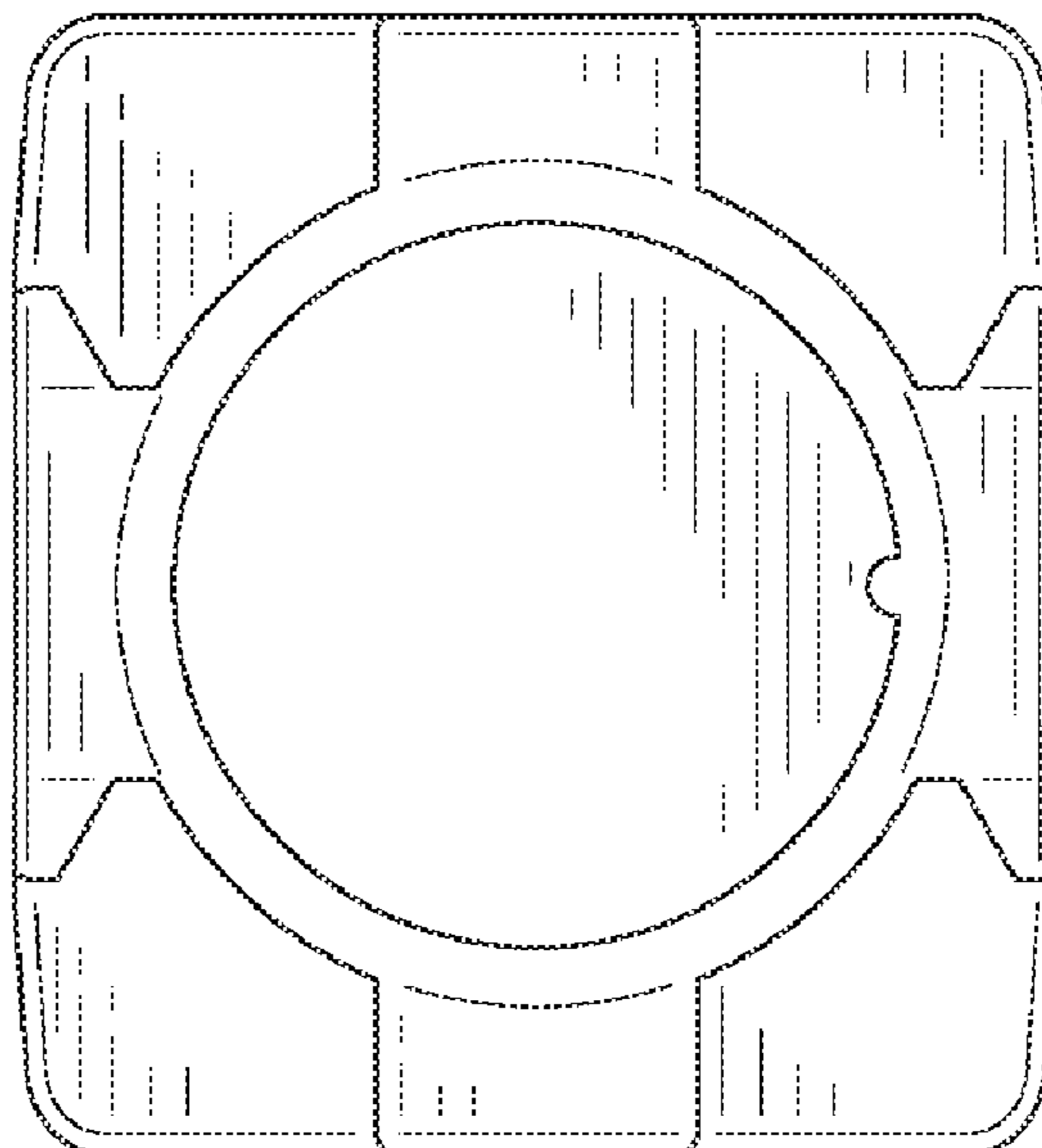


FIG. 7

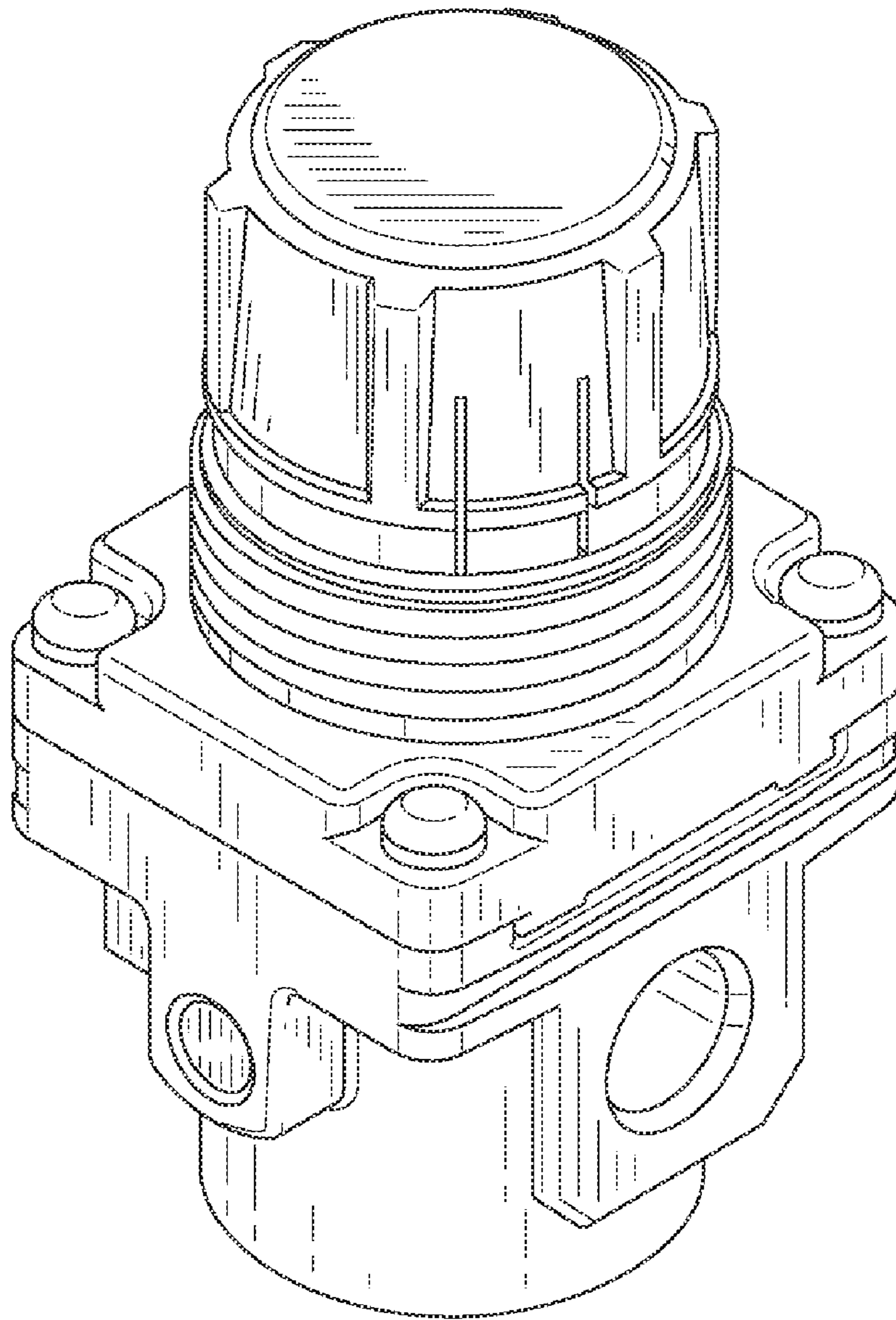


FIG. 8

