



US00D633984S

(12) **United States Design Patent**  
**Plantz**

(10) **Patent No.:** **US D633,984 S**

(45) **Date of Patent:** **\*\* Mar. 8, 2011**

(54) **SPRAYER**

D616,959 S \* 6/2010 Wu ..... D23/202  
D618,300 S \* 6/2010 Hudson et al. .... D23/202

(75) Inventor: **Jeffrey S. Plantz**, Oneida, NY (US)

\* cited by examiner

(73) Assignee: **The Fountainhead Group, Inc.**, New York Mills, NY (US)

*Primary Examiner*—Robin V Webster

(74) *Attorney, Agent, or Firm*—George R. McGuire; Bond Schoeneck & King, PLLC

(\*\*) Term: **14 Years**

(21) Appl. No.: **29/362,719**

(57) **CLAIM**

(22) Filed: **May 28, 2010**

The ornamental design for a sprayer, as shown and described.

(51) **LOC (9) Cl.** ..... **23-01**

**DESCRIPTION**

(52) **U.S. Cl.** ..... **D23/225; D23/202**

FIG. 1 is a front perspective view of a new and ornamental design for a sprayer, with the portions shown in phantom for illustrative purposes only and forming no part of the claimed design;

(58) **Field of Classification Search** ..... D23/202, D23/213, 225; 239/332, 337, 333, 373, 152–154  
See application file for complete search history.

FIG. 2 is a rear perspective view thereof;

(56) **References Cited**

**U.S. PATENT DOCUMENTS**

5,636,791	A *	6/1997	Leer	.....	239/142
6,729,558	B1 *	5/2004	Seenauth	.....	239/152
6,769,628	B1 *	8/2004	Vaage et al.	.....	239/152
7,007,826	B2 *	3/2006	Shapanus et al.	.....	222/175
D567,897	S *	4/2008	Hillhouse	.....	D23/202
D570,447	S *	6/2008	Hillhouse	.....	D23/225
D594,087	S *	6/2009	Campbell	.....	D23/202
D609,773	S *	2/2010	Abernethy et al.	.....	D23/202

FIG. 3 is a front elevation view thereof;

FIG. 4, is a rear elevation view thereof;

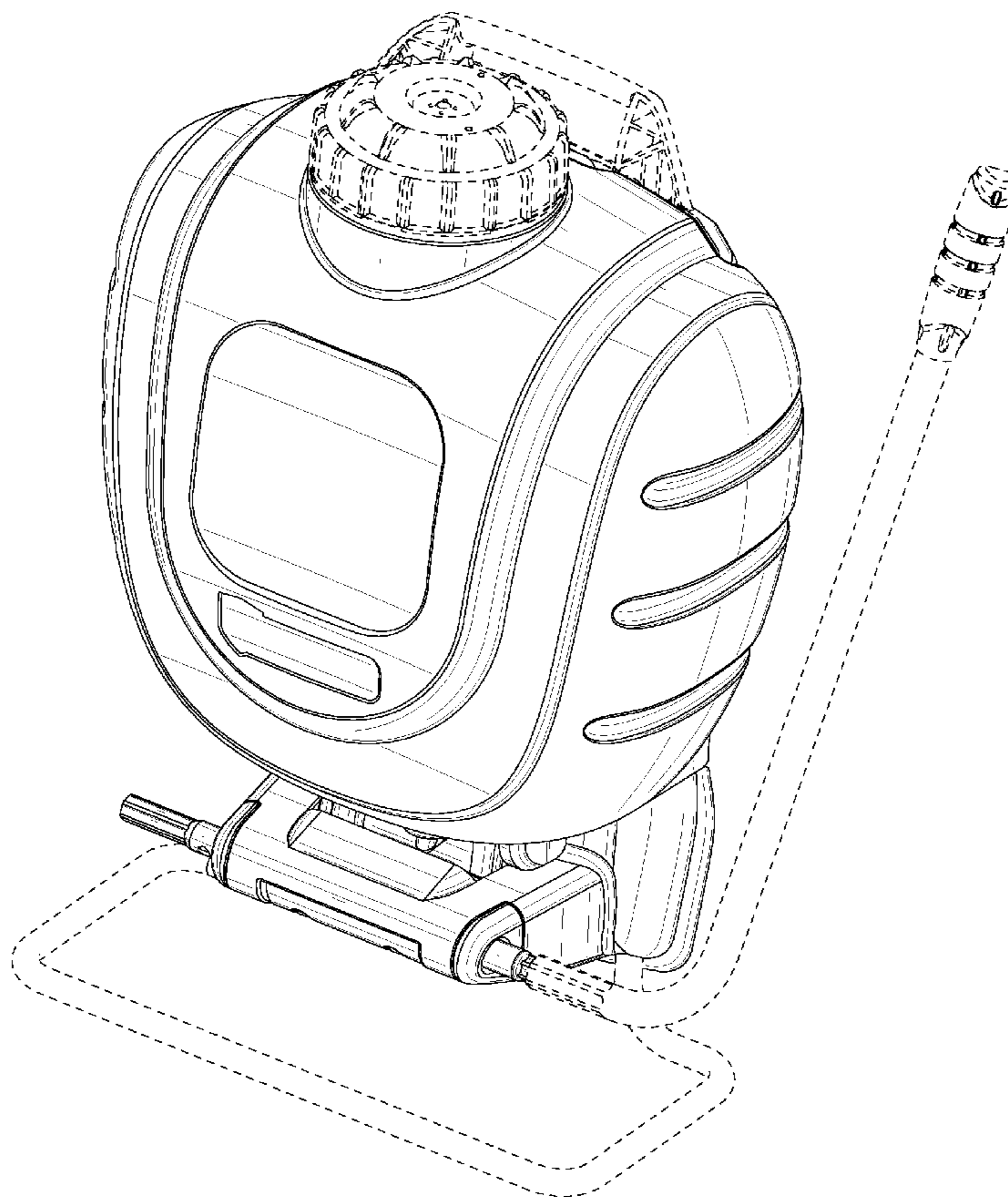
FIG. 5 is a left side elevation view thereof;

FIG. 6 is a right side elevation view thereof;

FIG. 7 is a top plan view thereof; and,

FIG. 8 is a bottom plan view thereof.

**1 Claim, 8 Drawing Sheets**



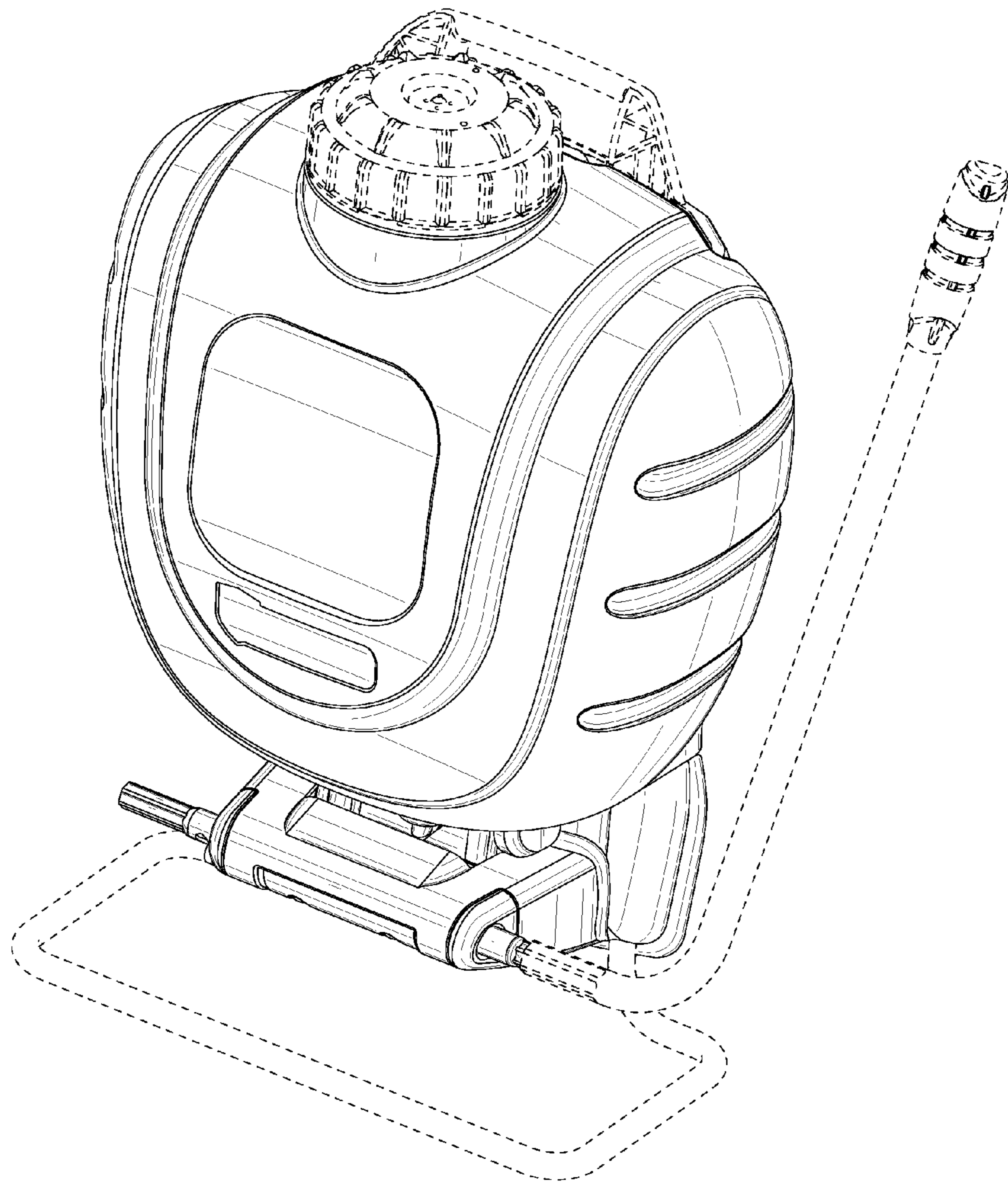


FIG. 1

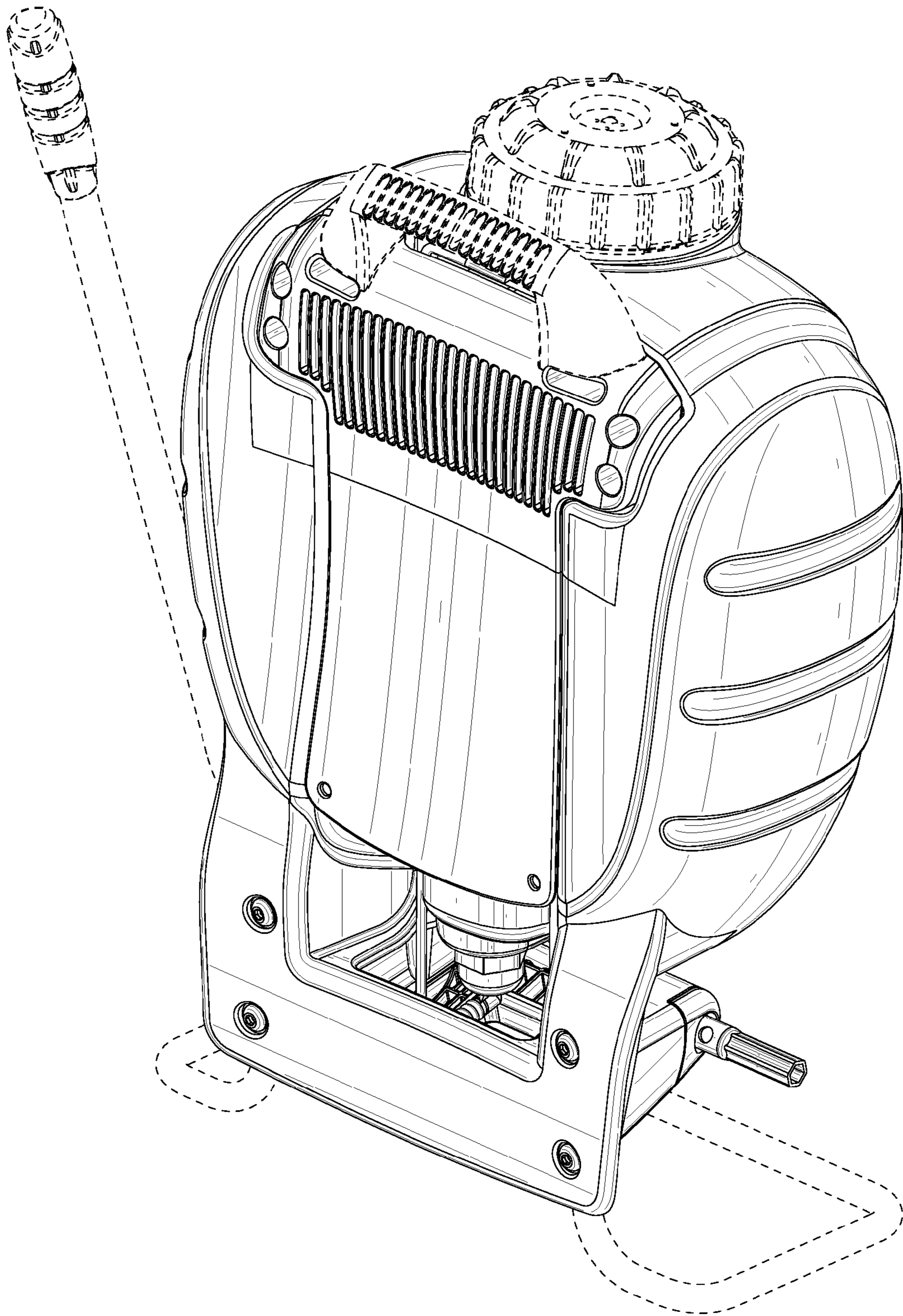


FIG. 2

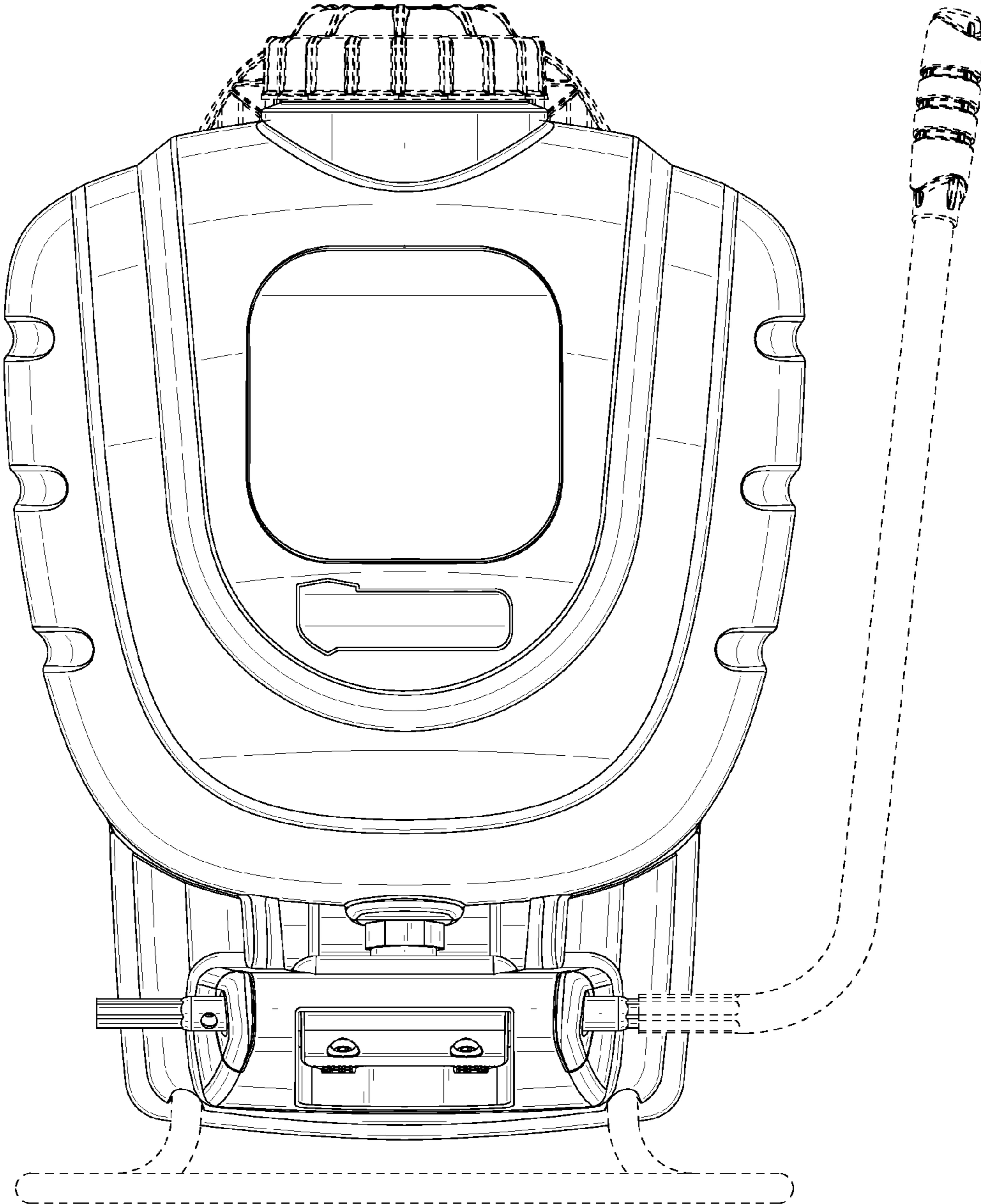


FIG. 3

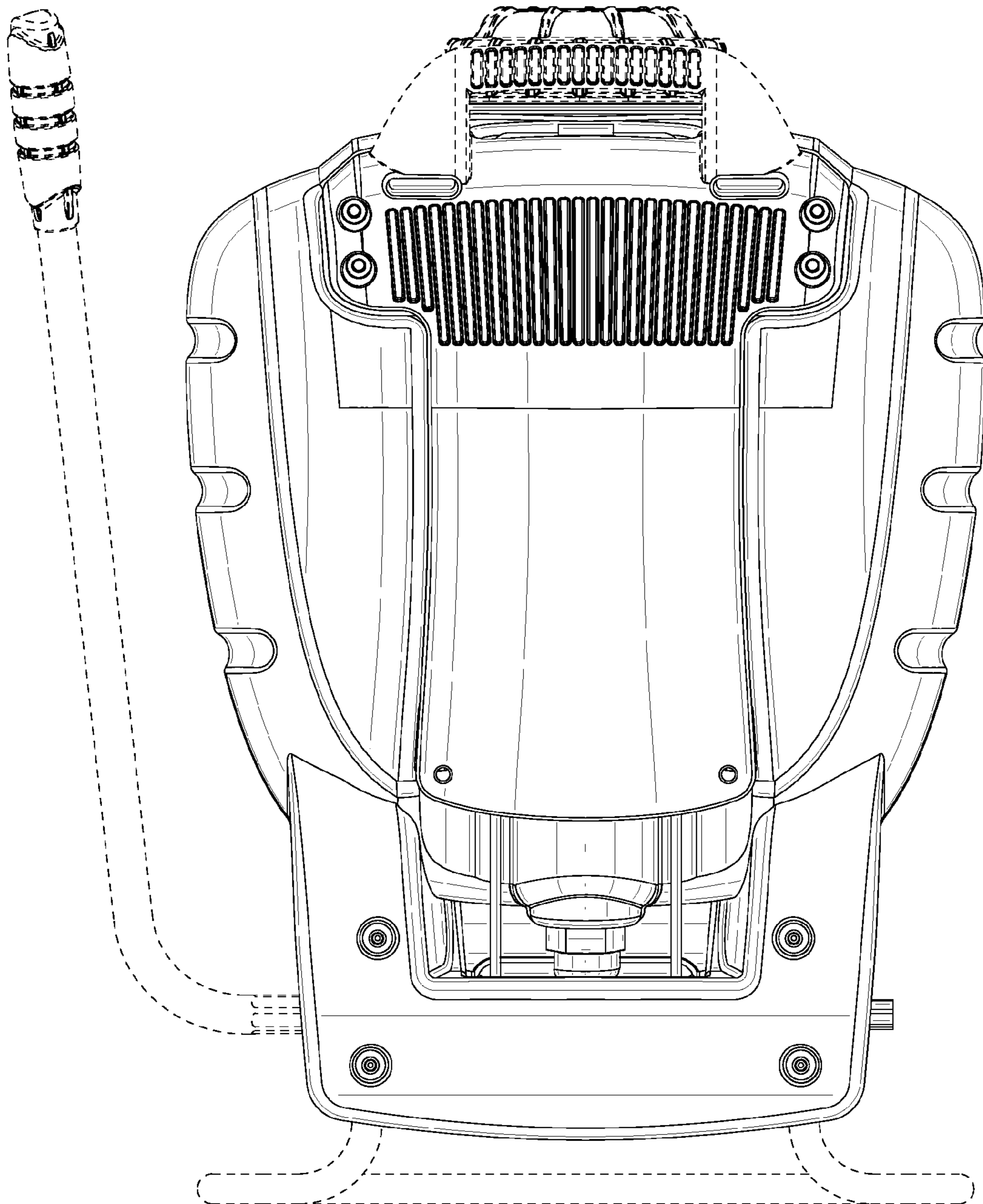


FIG. 4

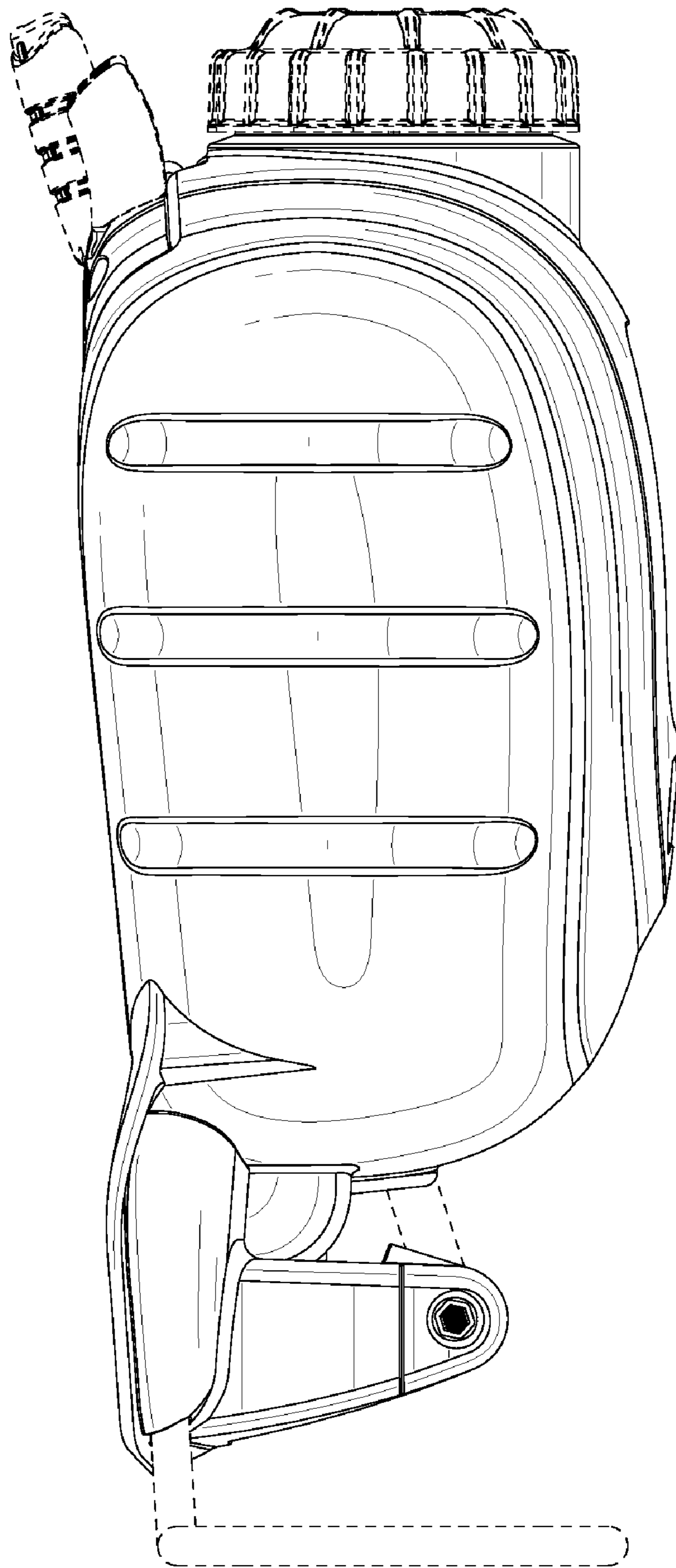


FIG. 5

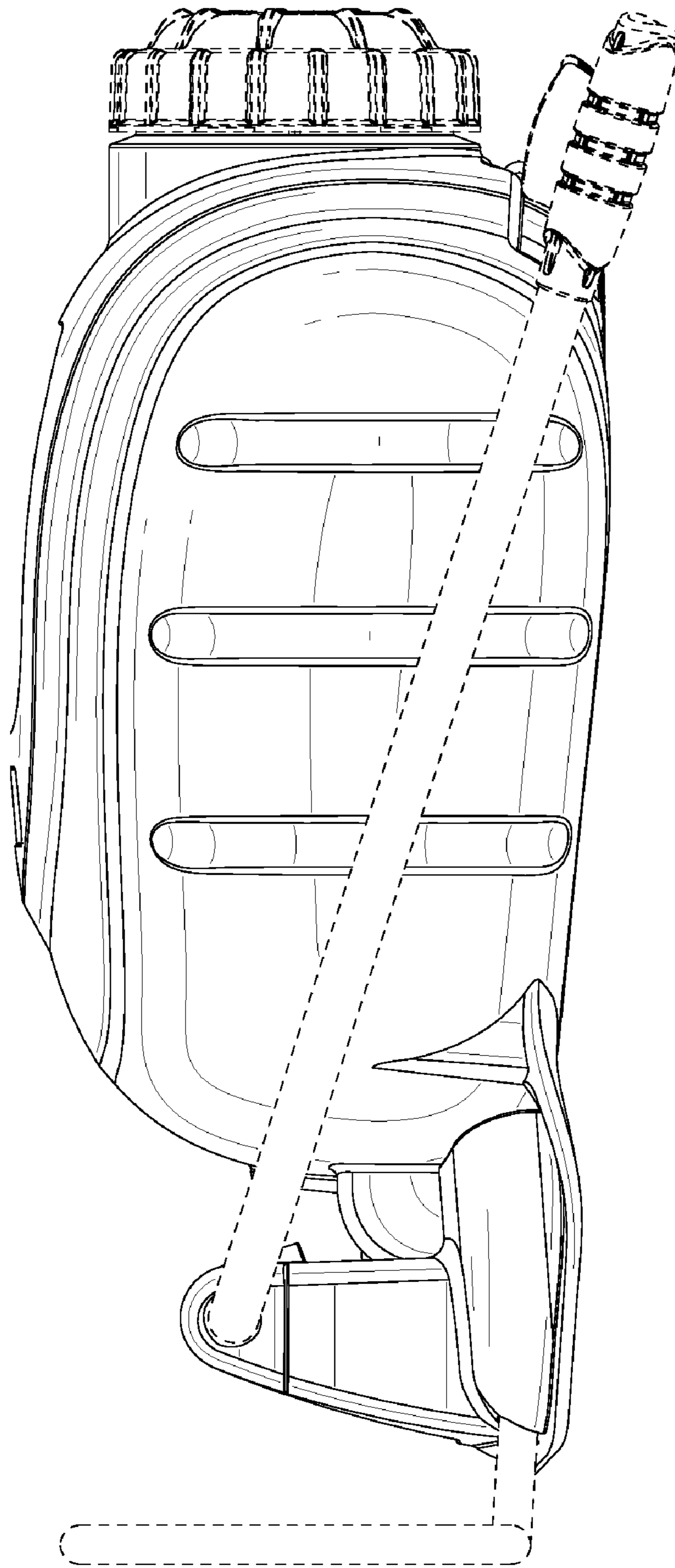


FIG. 6

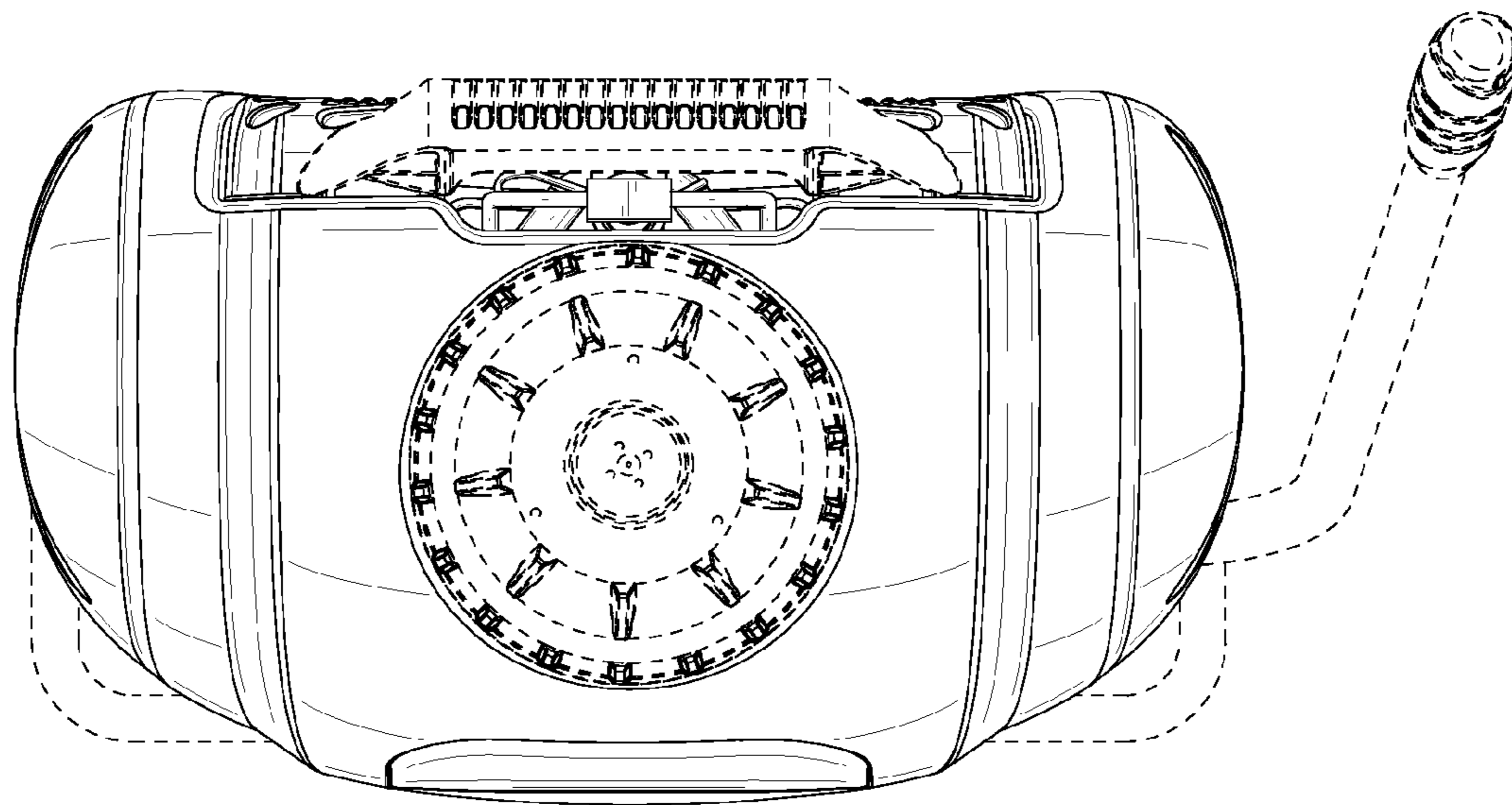


FIG. 7



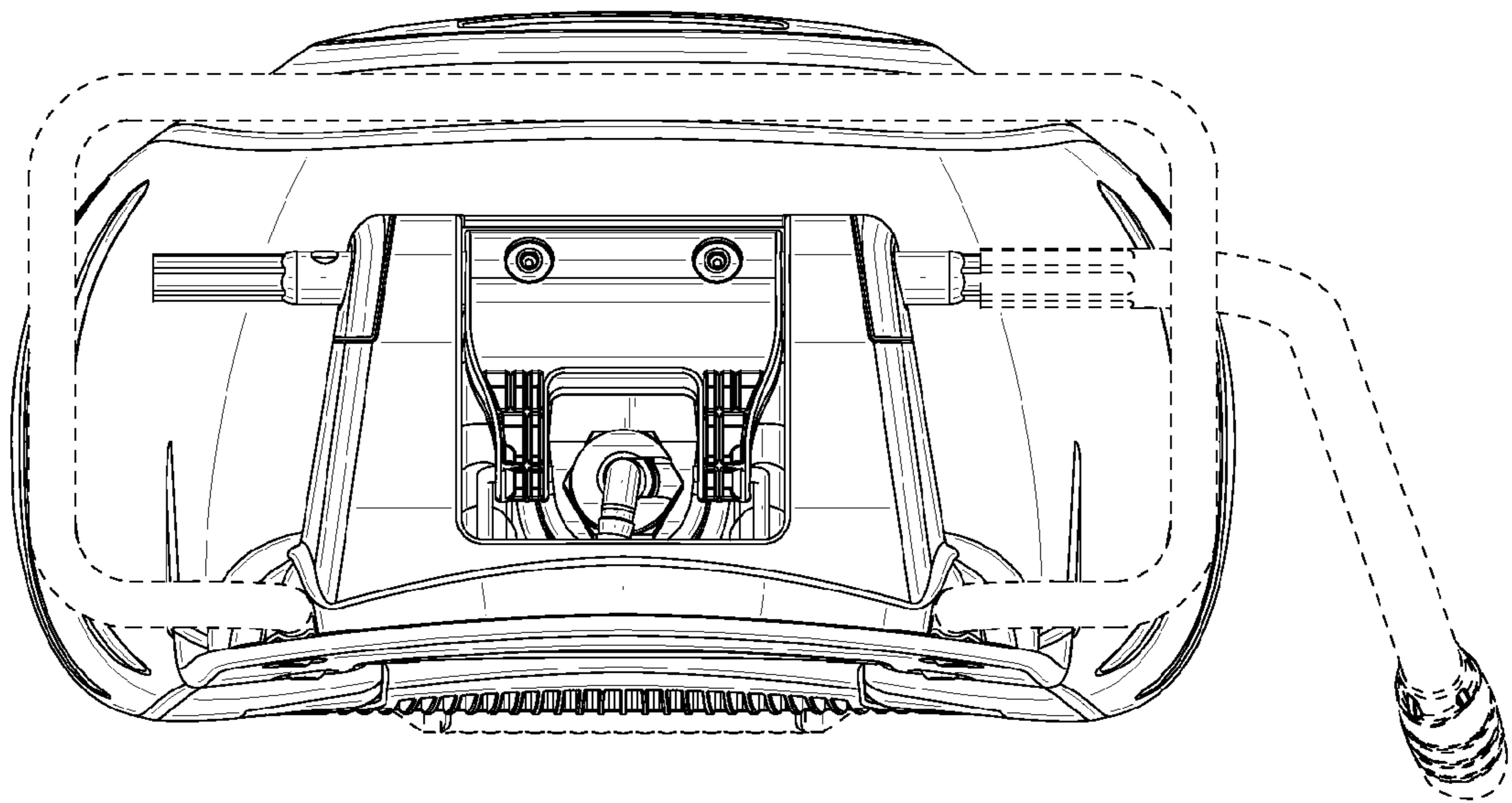


FIG. 8