



US00D633983S

(12) **United States Design Patent**
Hudson et al.

(10) **Patent No.:** **US D633,983 S**
(45) **Date of Patent:** **** Mar. 8, 2011**

(54) **SPRAYER**

(76) Inventors: **William A. Hudson**, Fox Point, WI (US); **Wayne J. Beissel**, Hastings, MN (US); **Gary Kowalczyk**, Walker, MI (US); **Bill Blair**, Holland, MI (US); **Steve Downing**, Shell Rock, IA (US)

(**) Term: **14 Years**

(21) Appl. No.: **29/359,897**

(22) Filed: **Apr. 16, 2010**

Related U.S. Application Data

(63) Continuation of application No. 29/336,182, filed on Apr. 29, 2009, now Pat. No. Des. 614,263.

(51) **LOC (9) Cl.** **23-01**

(52) **U.S. Cl.** **D23/225**

(58) **Field of Classification Search** D23/213,
D23/202, 225; 239/310, 373, 337, 332-333,
239/152-154

See application file for complete search history.

(56) **References Cited**

U.S. PATENT DOCUMENTS

6,113,003	A	9/2000	Condon	239/142
6,953,133	B2	10/2005	Englhard et al.	222/385
7,207,500	B2	4/2007	Hudson et al.	239/332
D614,263	S	4/2010	Hudson et al.	D23/225

Primary Examiner — Robin V Webster

(74) *Attorney, Agent, or Firm* — Marshall, Gerstein & Borun LLP; Richard M. LaBarge

(57) **CLAIM**

The ornamental design for a sprayer, as shown and described.

DESCRIPTION

FIG. 1 is a front and right side elevation of a sprayer that has the design.

FIG. 2 is a right side elevation of the sprayer.

FIG. 3 is a right side and back elevation of the sprayer.

FIG. 4 is a front, right side, and top isometric view of the sprayer.

FIG. 5 is a right side, back, and top isometric view of the sprayer.

FIG. 6 is a right side, back, and bottom isometric view of the sprayer.

FIG. 7 is an enlarged view of the bottom of the sprayer.

FIG. 8 is a top plan view of the sprayer.

FIG. 9 is a front and right side elevation of the sprayer showing a related design.

FIG. 10 is a right side elevation of the sprayer.

FIG. 11 is a right side and back elevation of the sprayer.

FIG. 12 is a front, right side, and top isometric view of the sprayer.

FIG. 13 is a right side, back, and top isometric view of the sprayer.

FIG. 14 is a right side, back, and bottom isometric view of the sprayer.

FIG. 15 is an enlarged view of the bottom of the sprayer.

FIG. 16 is a right side elevation of a second sprayer that has another related design.

FIG. 17 is a top view of the sprayer.

FIG. 18 is a right side, back, and top isometric view of the sprayer.

FIG. 19 is a front, right side, and top isometric view of the sprayer.

FIG. 20 is a front, left side, and top isometric view of the sprayer.

FIG. 21 is a left side, back, and top isometric view of the sprayer.

FIG. 22 is a right side elevation of the second sprayer showing yet another related design.

FIG. 23 is a top view of the sprayer.

FIG. 24 is a right side, back, and top isometric view of the sprayer.

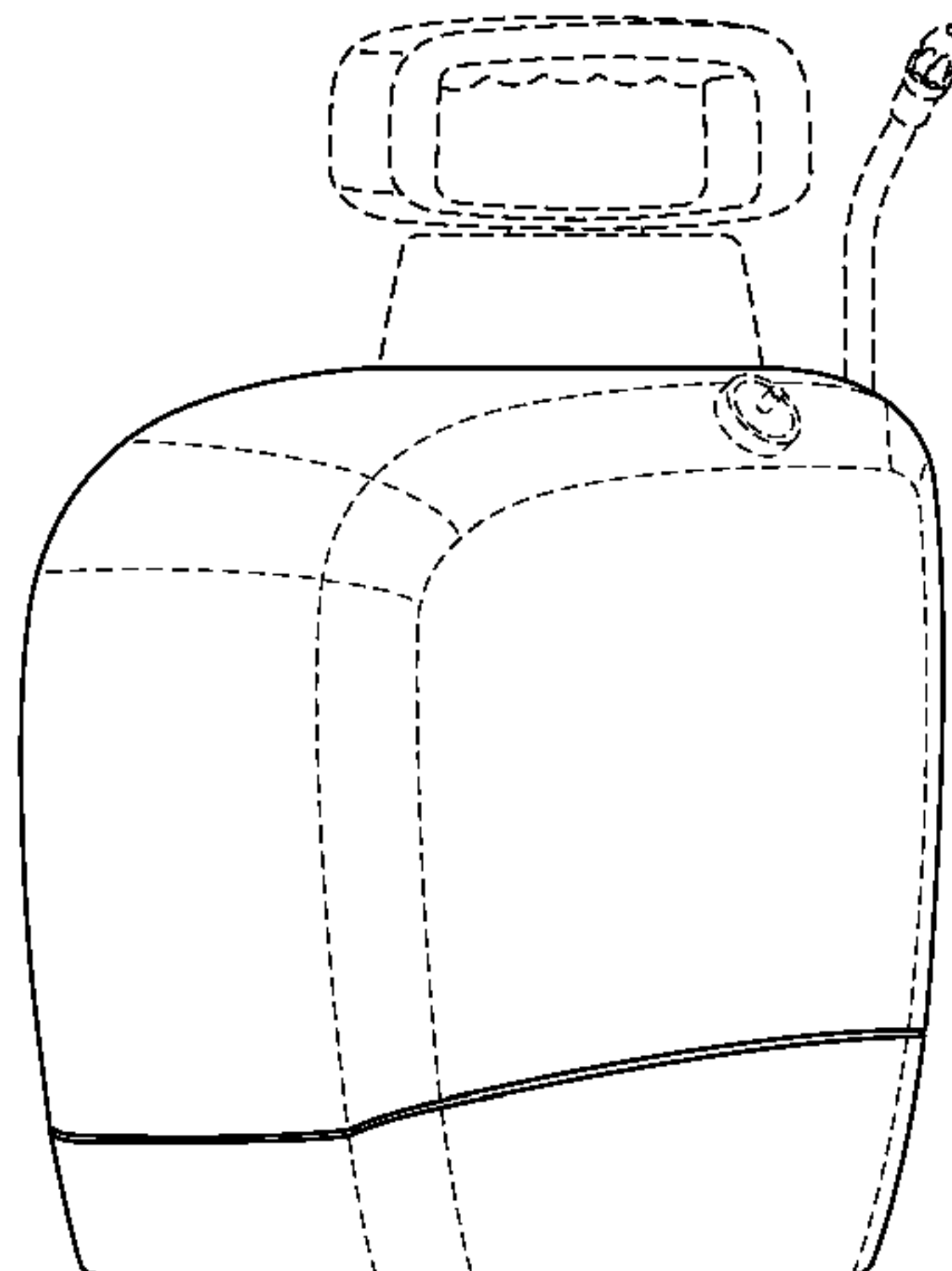
FIG. 25 is a front, right side, and top isometric view of the sprayer.

FIG. 26 is a front, left side, and top isometric view of the sprayer; and,

FIG. 27 is a left side, back, and top isometric view of the sprayer.

The broken line showing of elements of the sprayer is for the purpose of illustrating portions of the sprayer and forms no part of the claimed design.

1 Claim, 27 Drawing Sheets



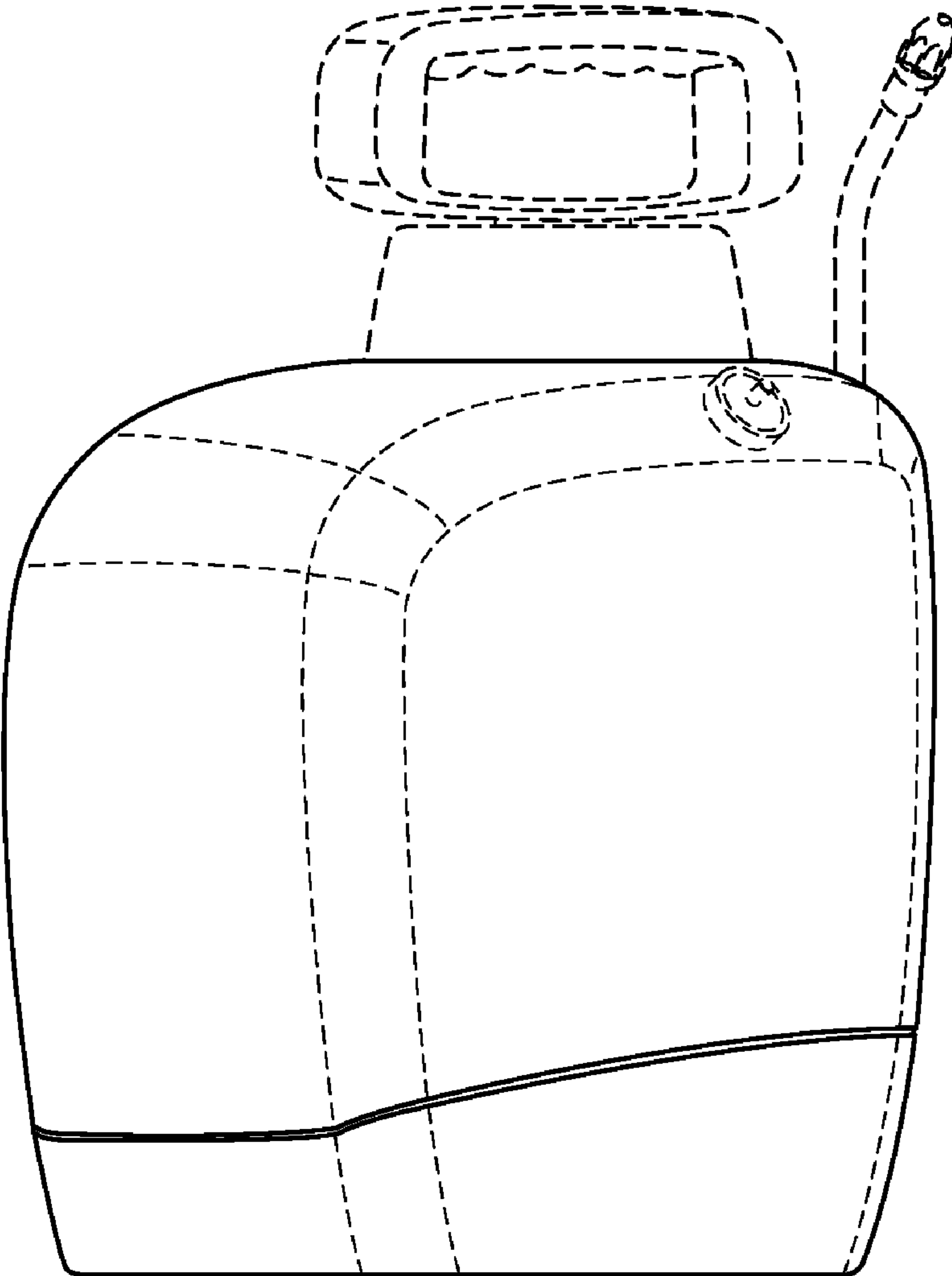


FIG. 1

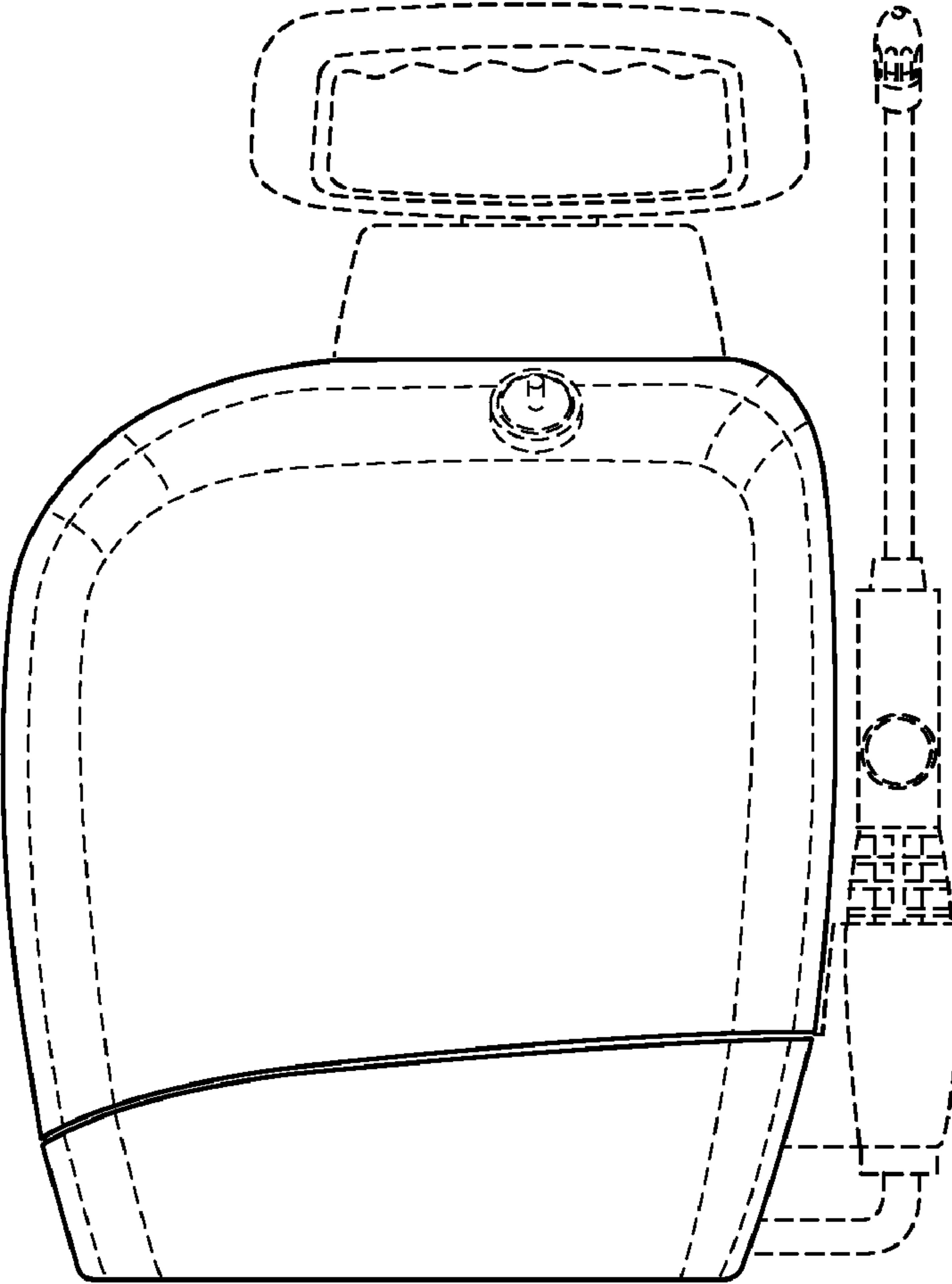


FIG. 2

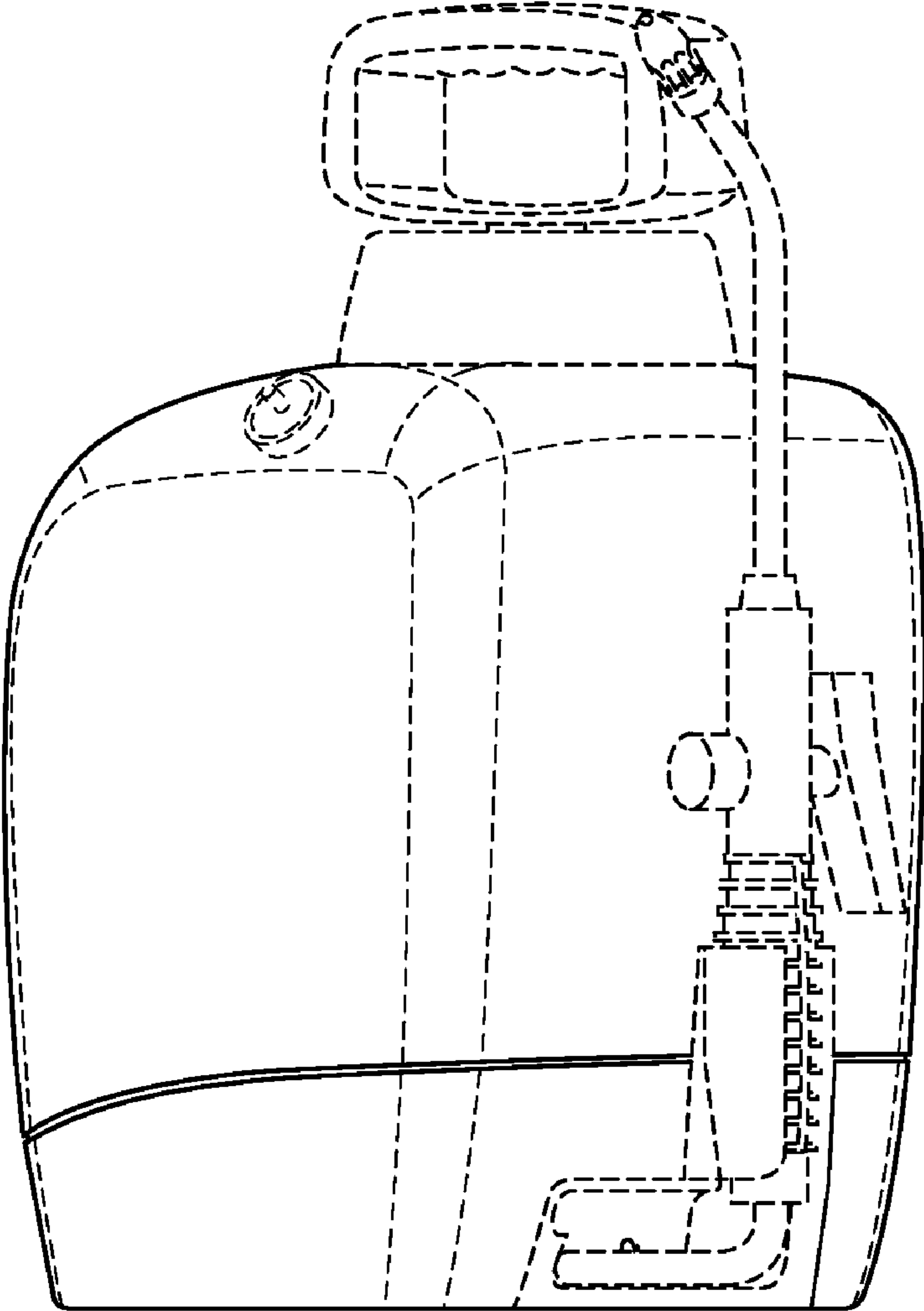


FIG. 3

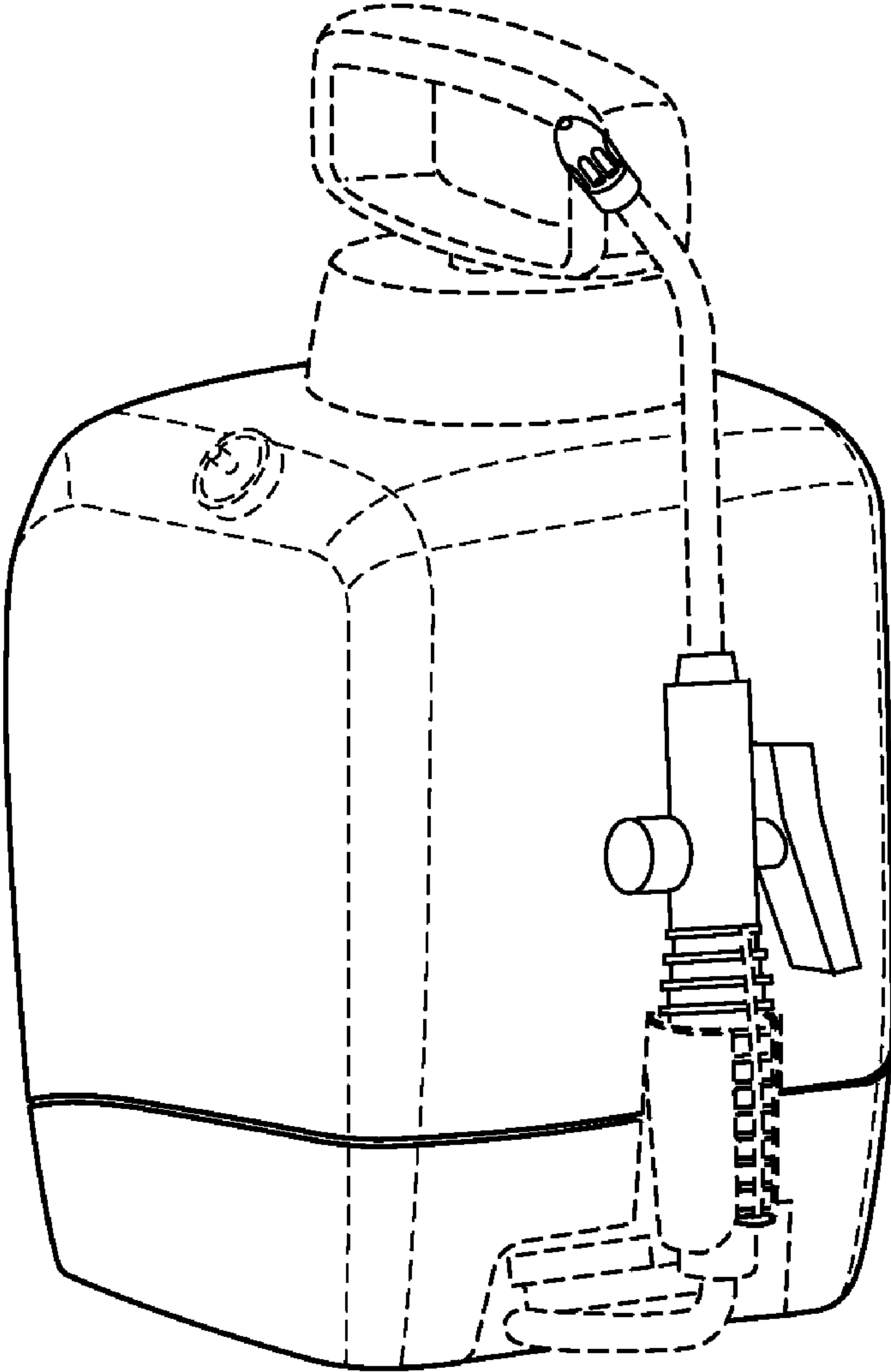


FIG. 4

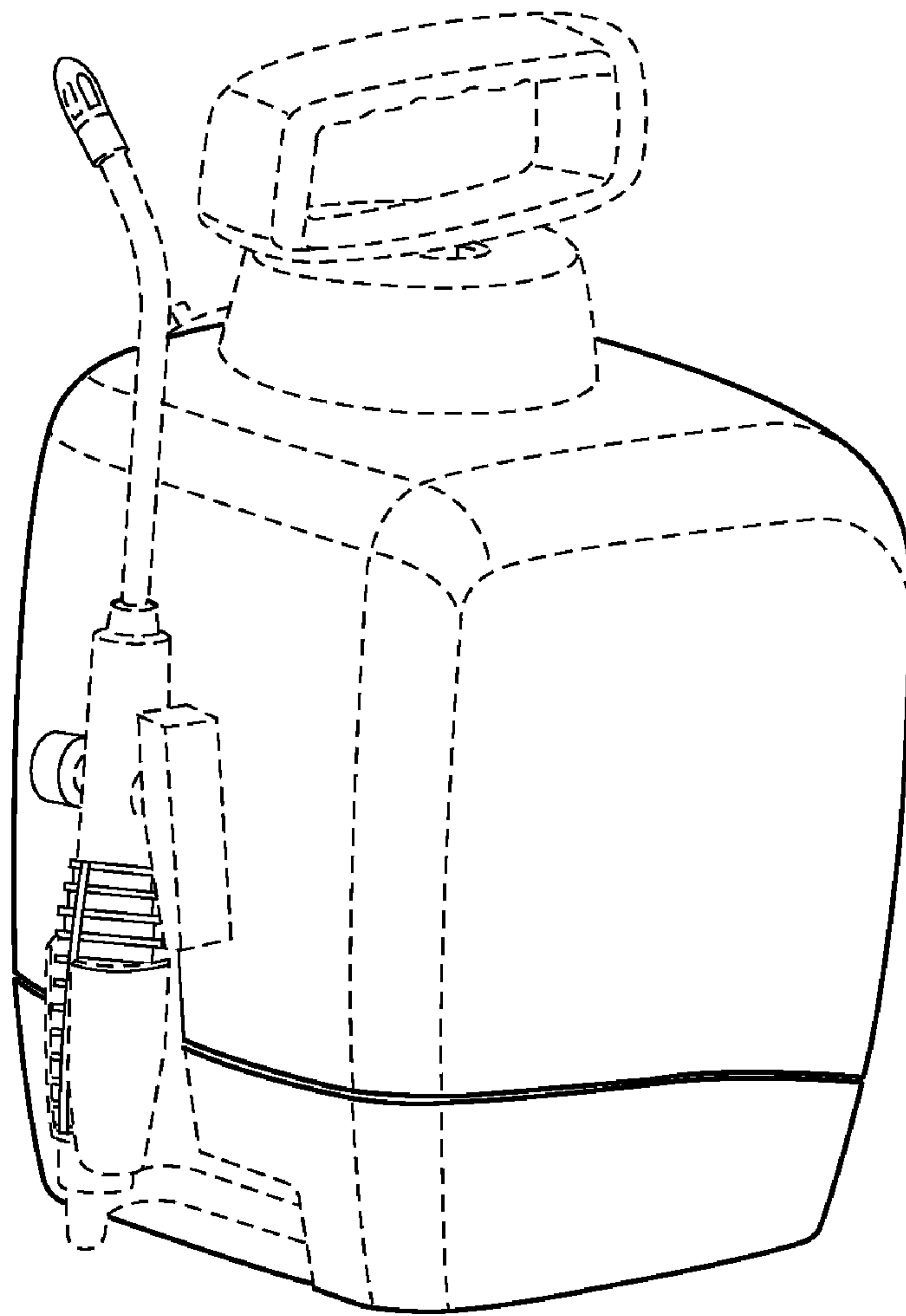


FIG. 5

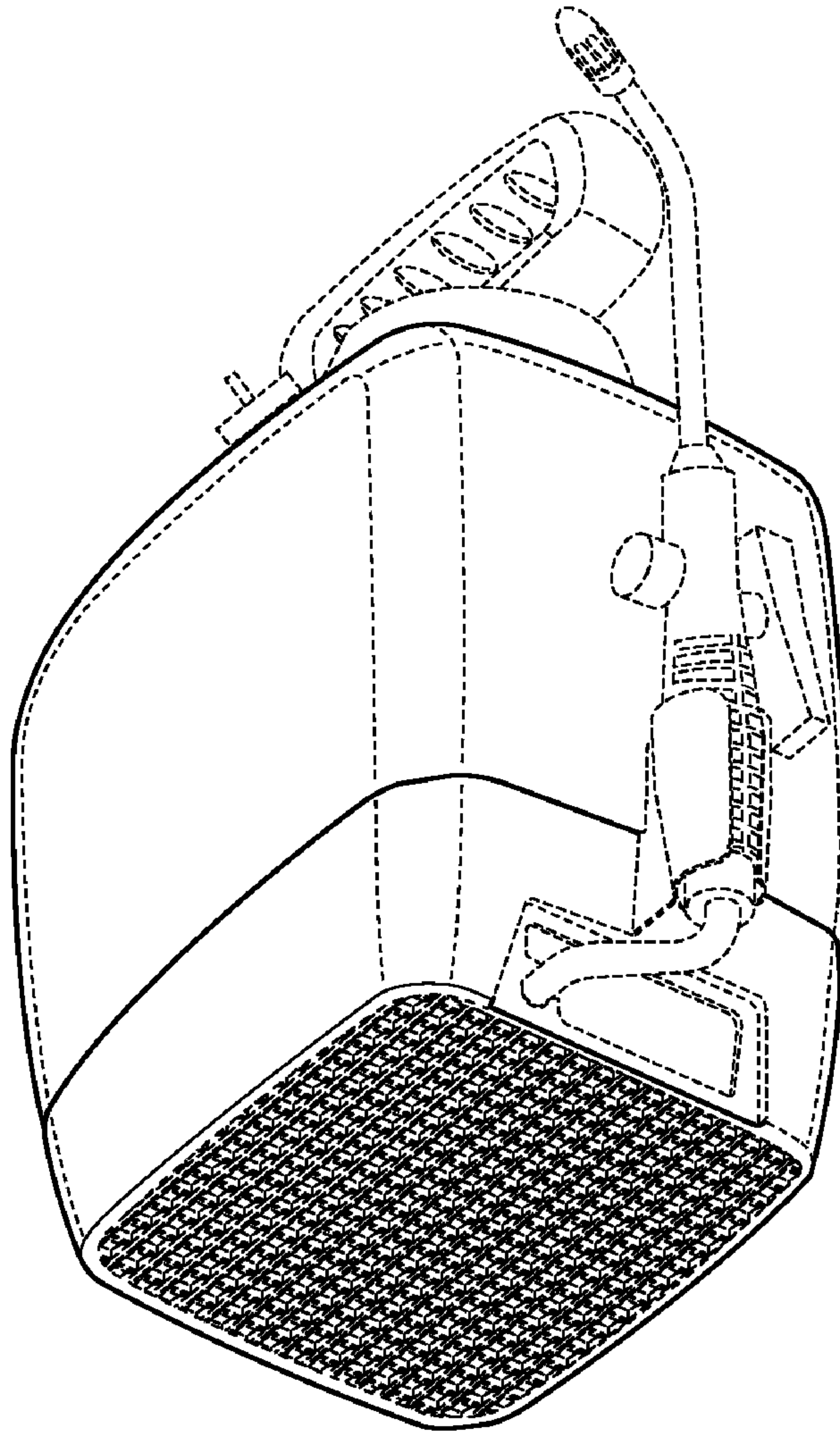


FIG. 6

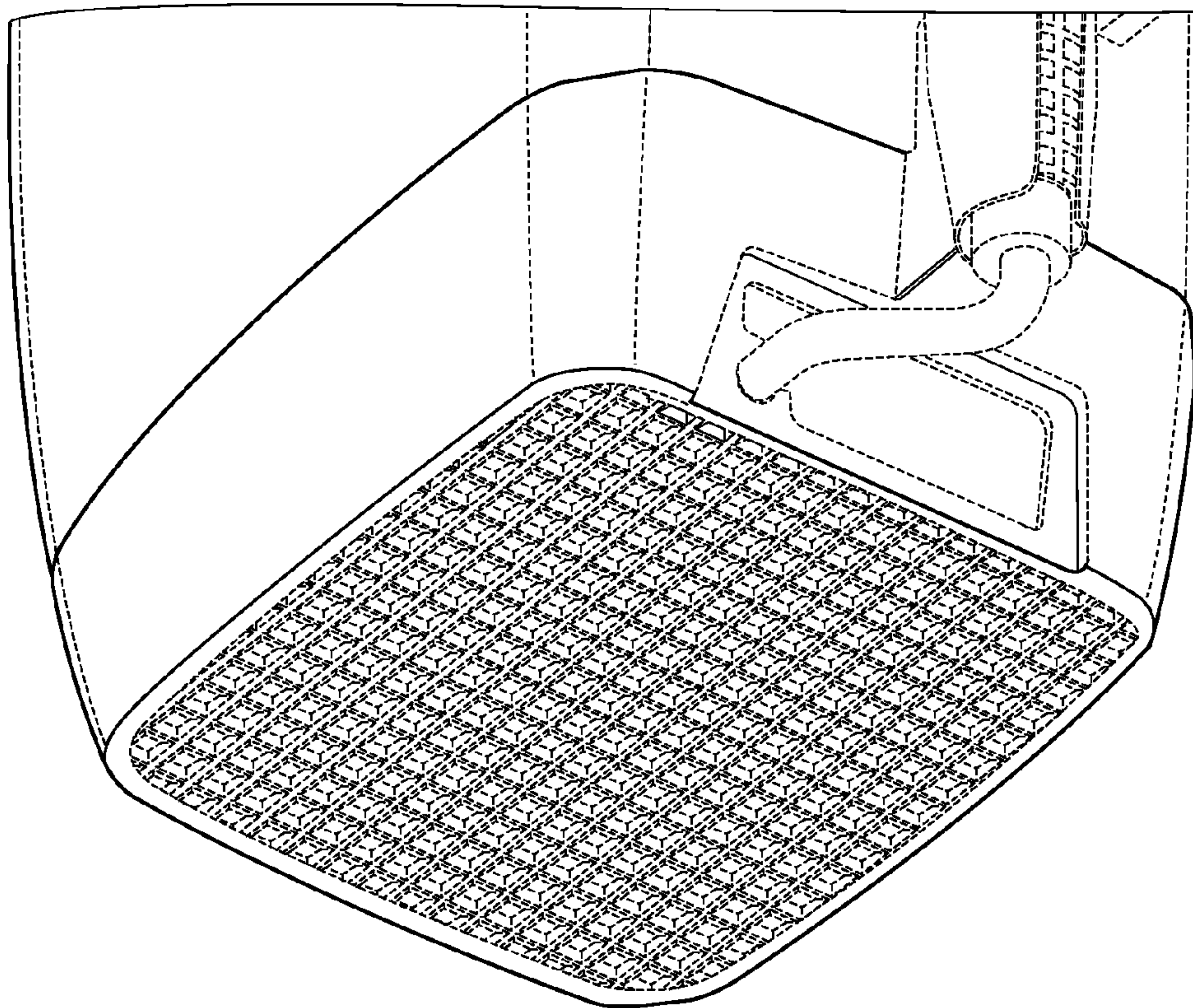


FIG. 7

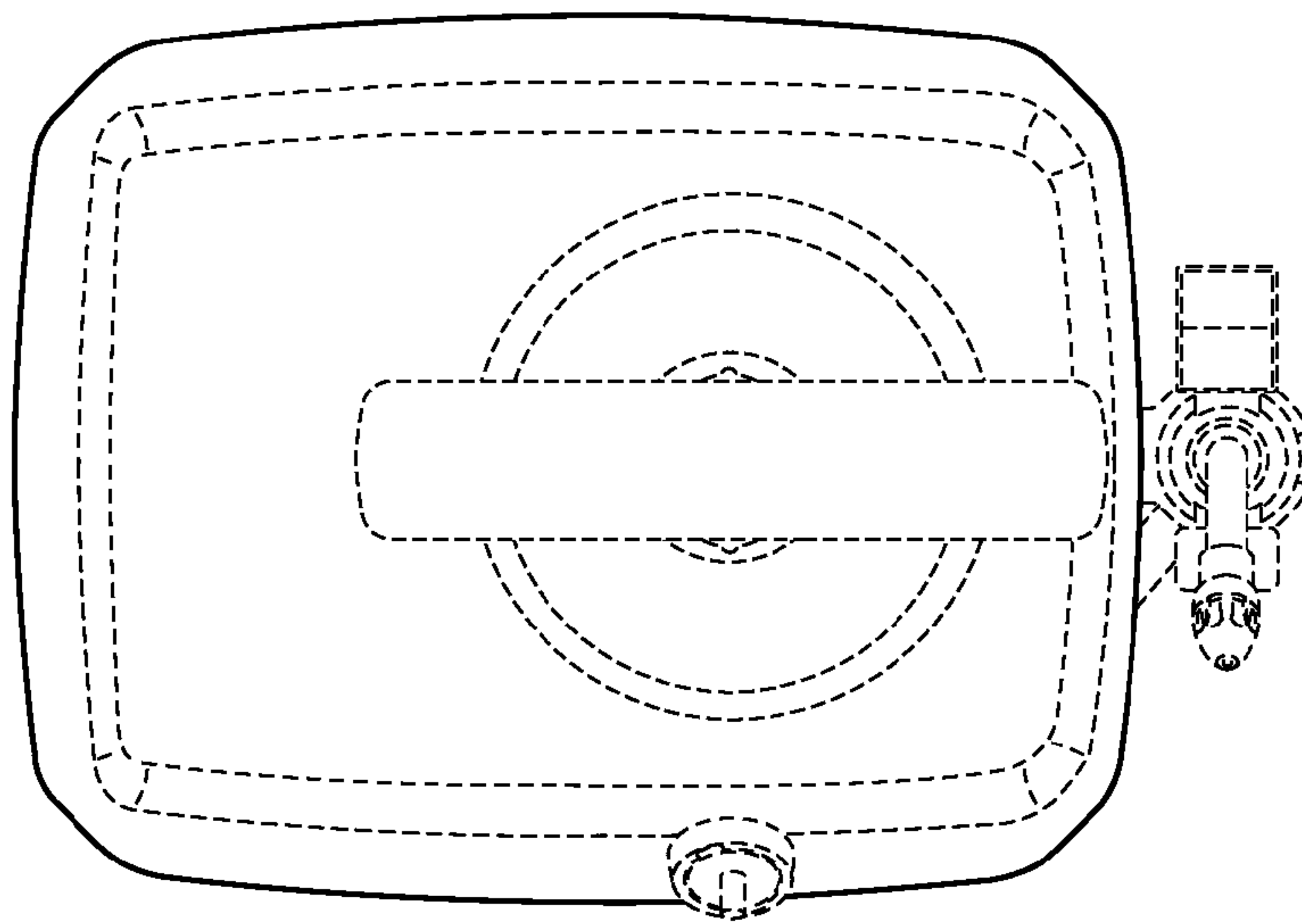


FIG. 8

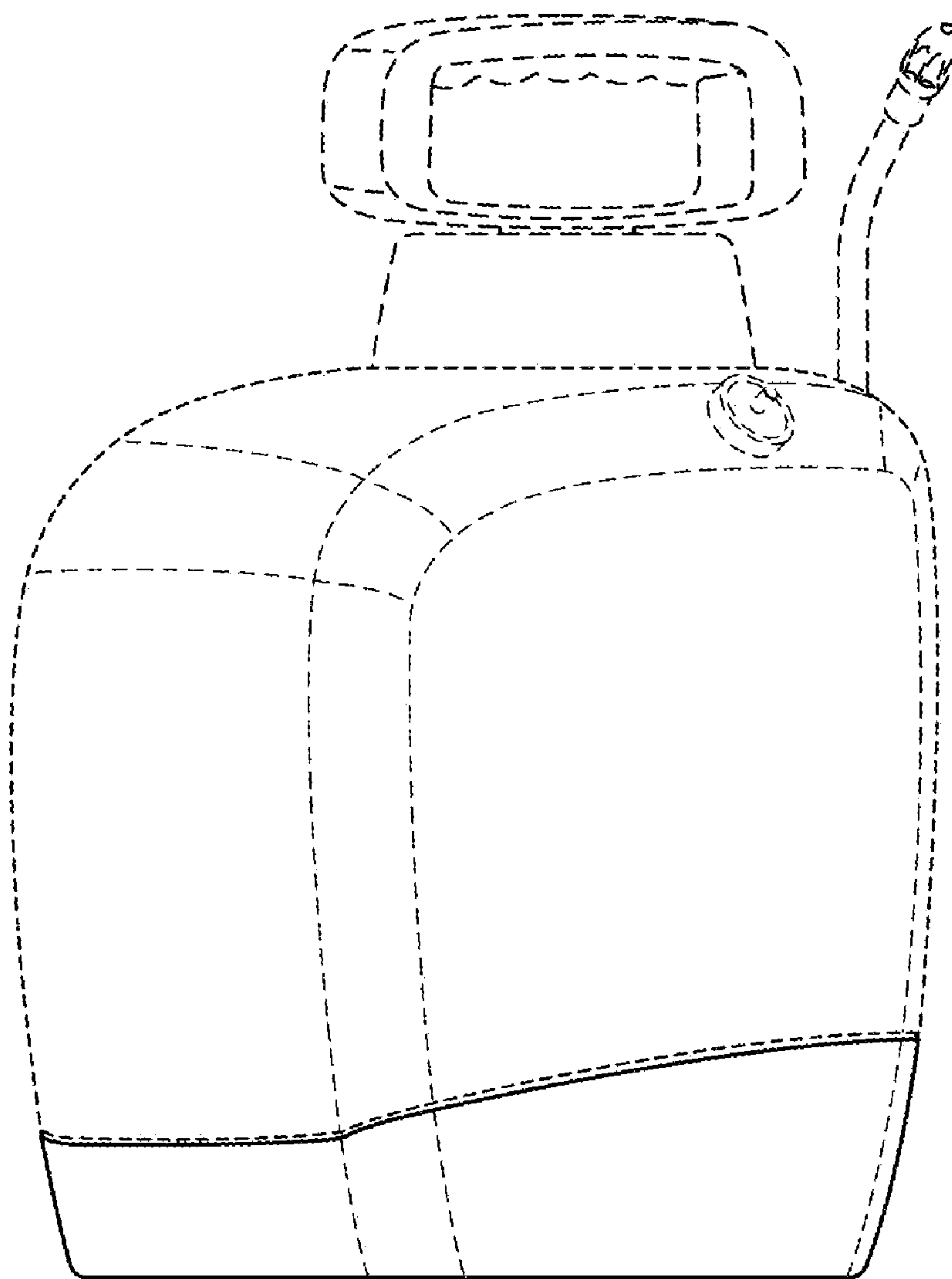


FIG. 9

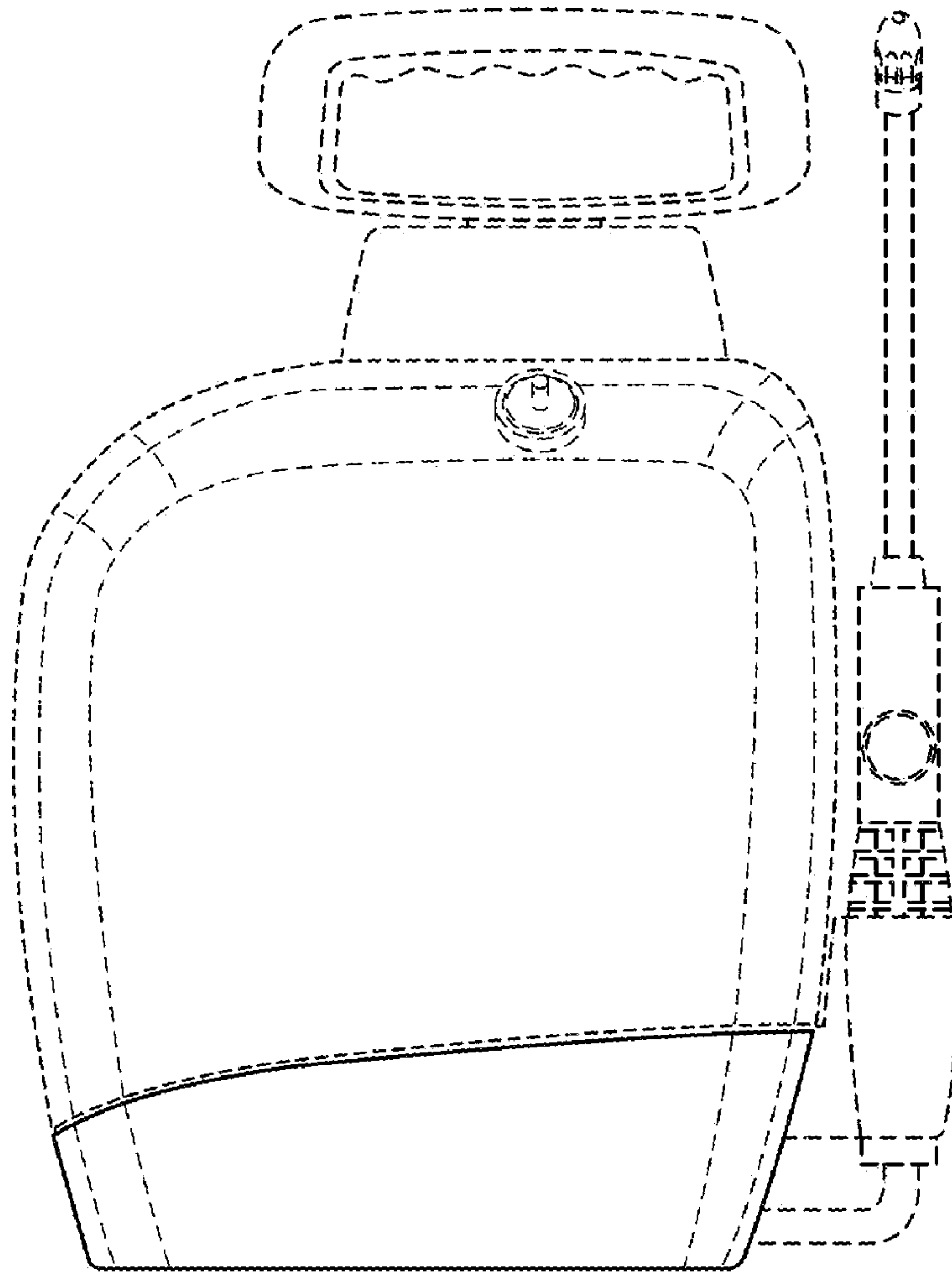


FIG. 10

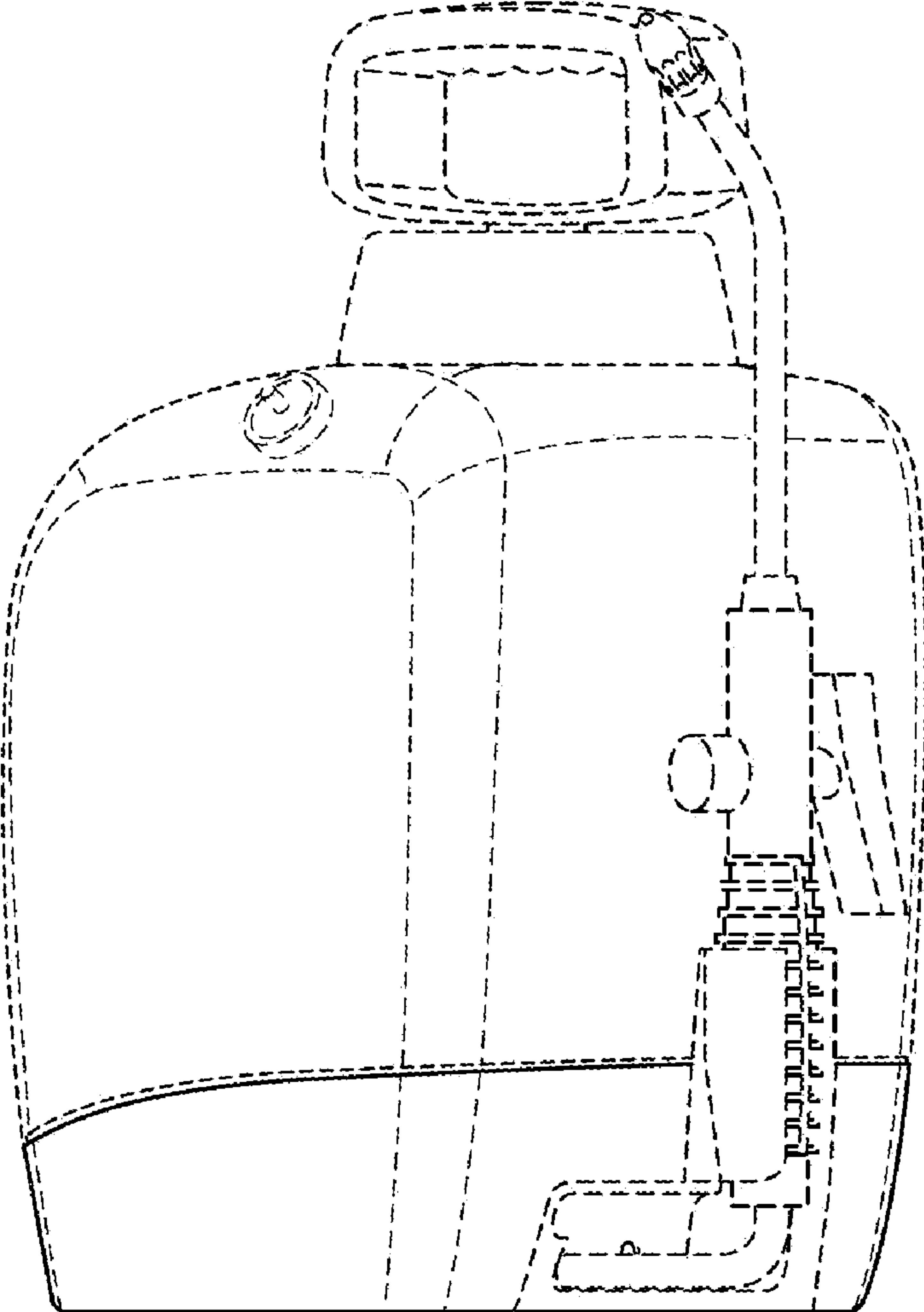


FIG. 11

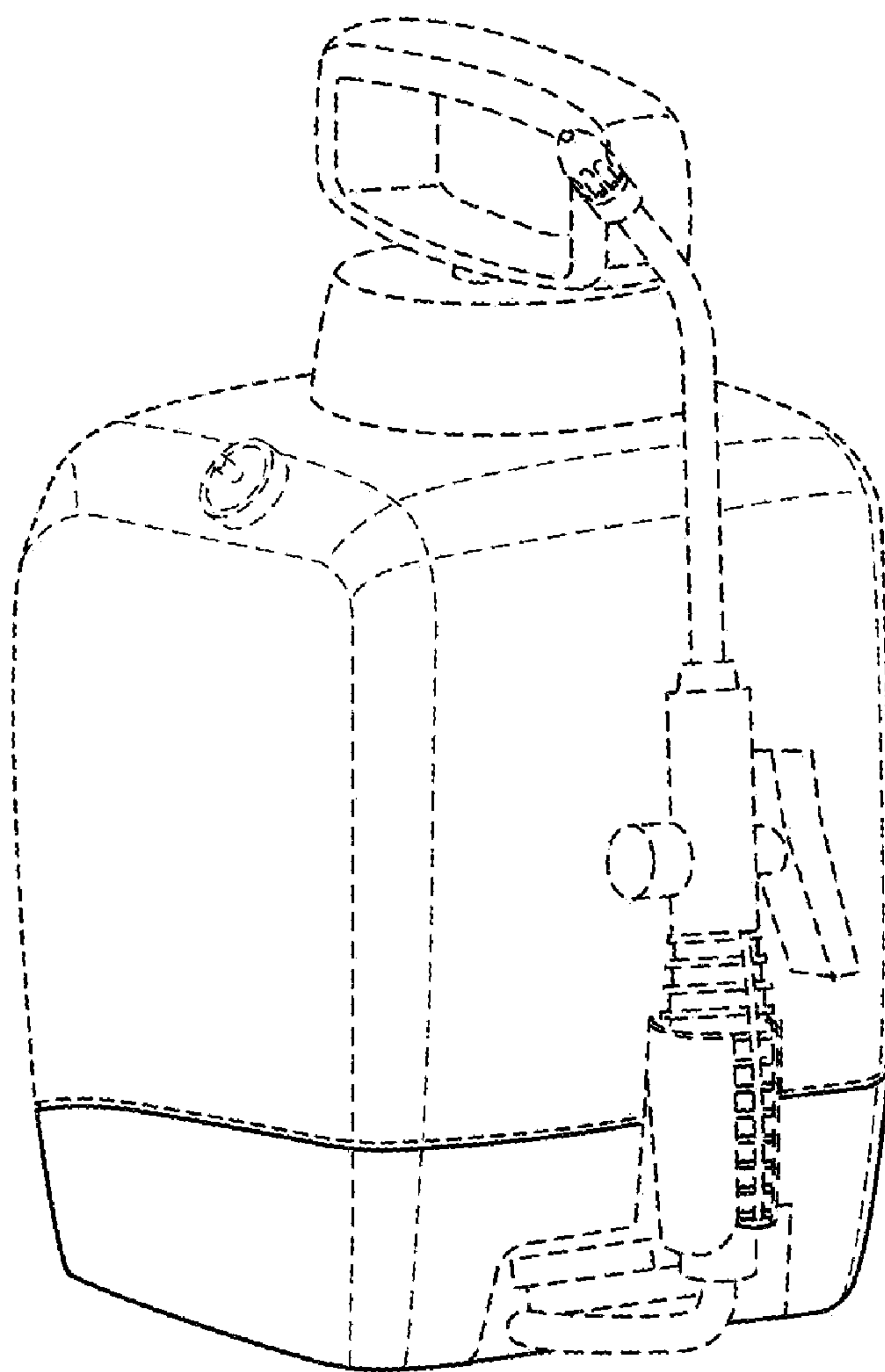


FIG. 12

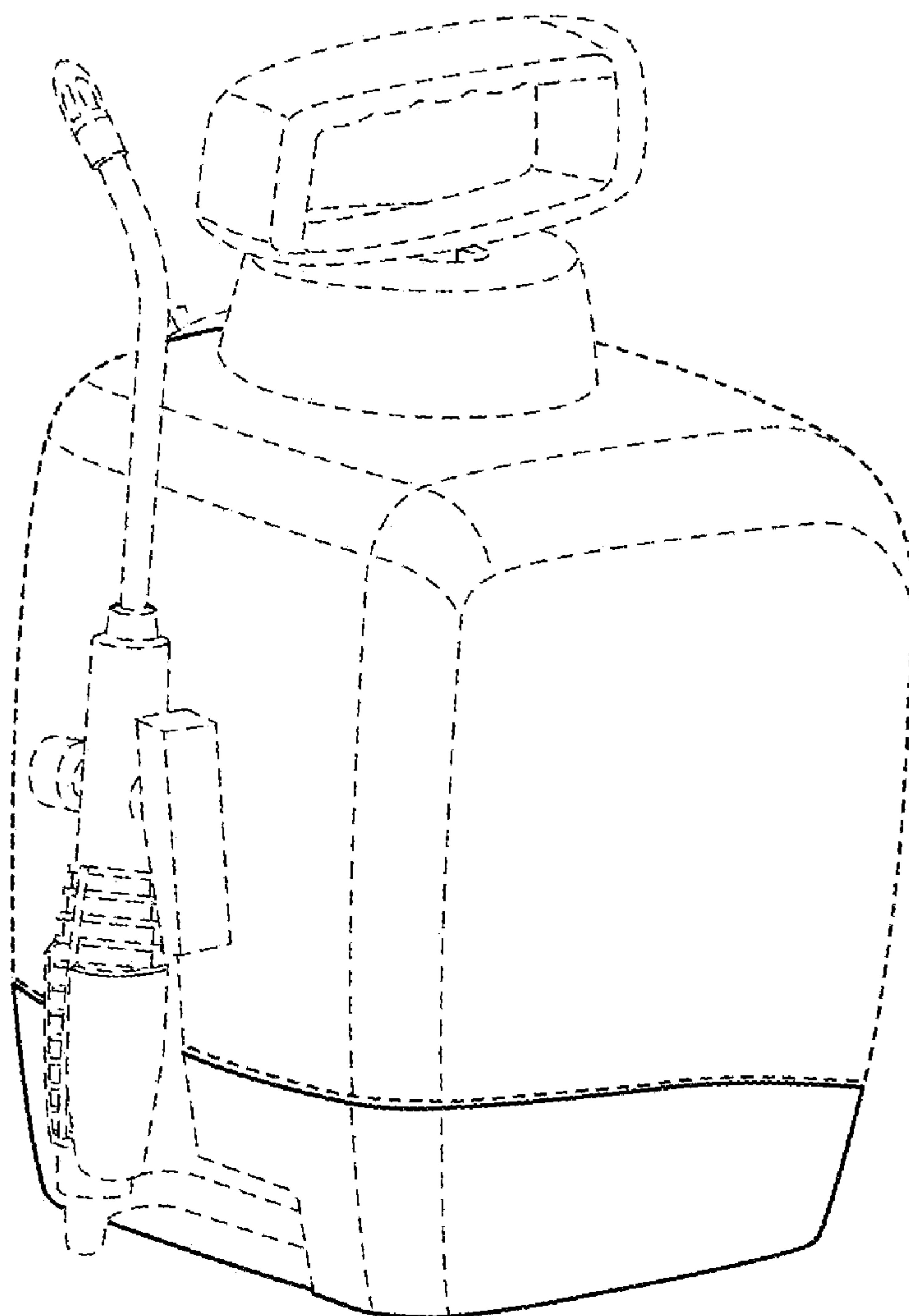


FIG. 13

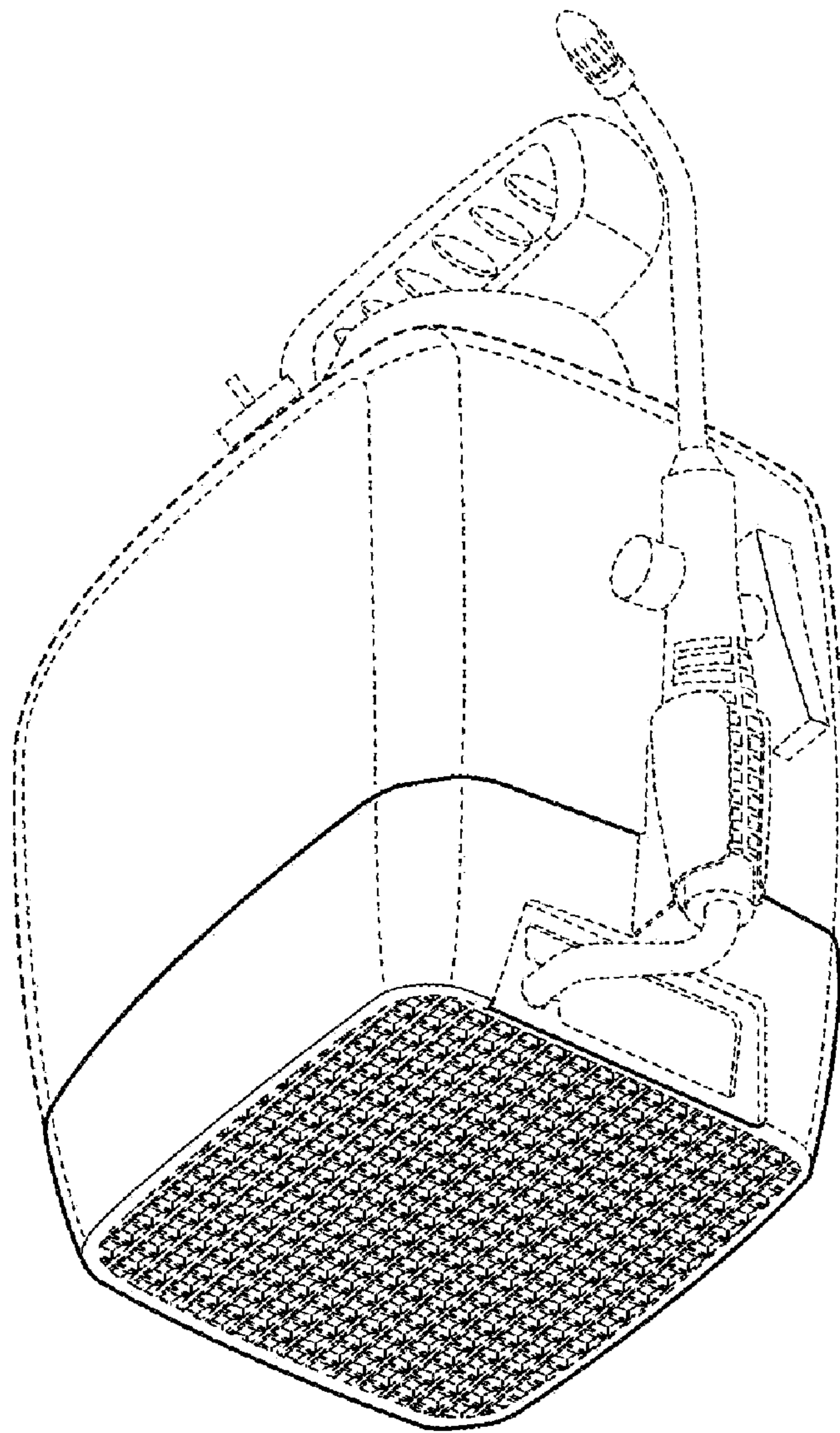


FIG. 14

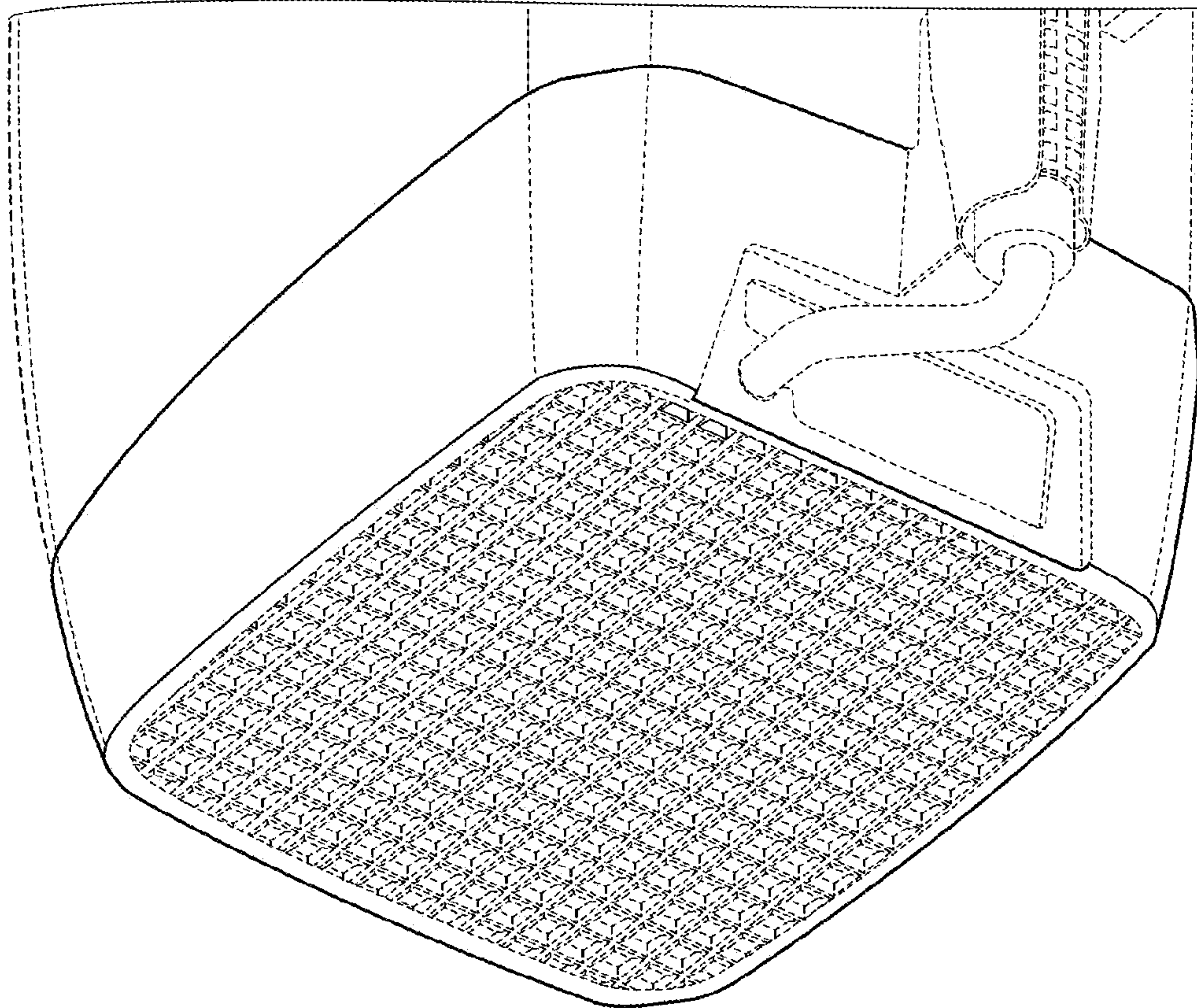


FIG. 15

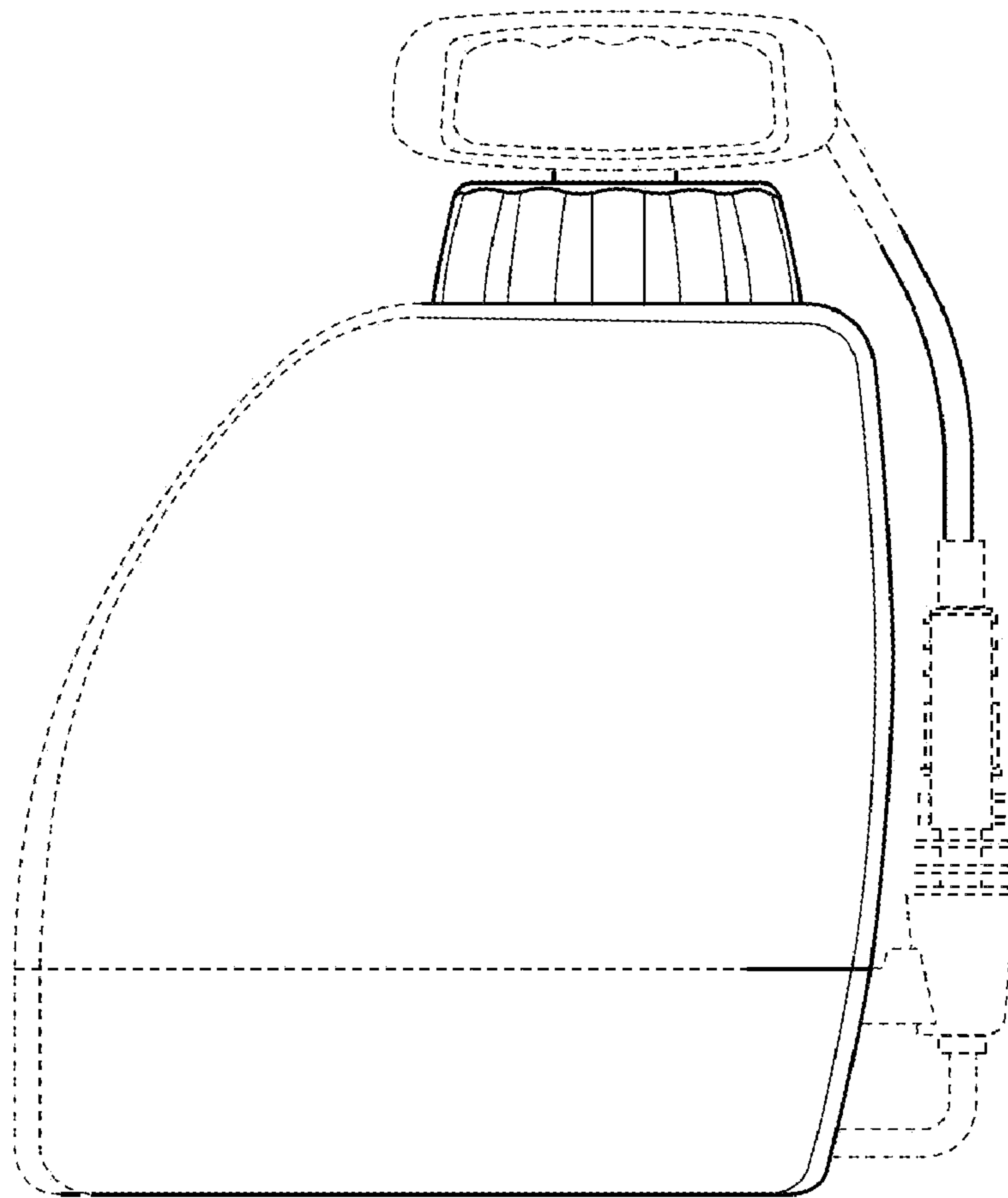


FIG. 16

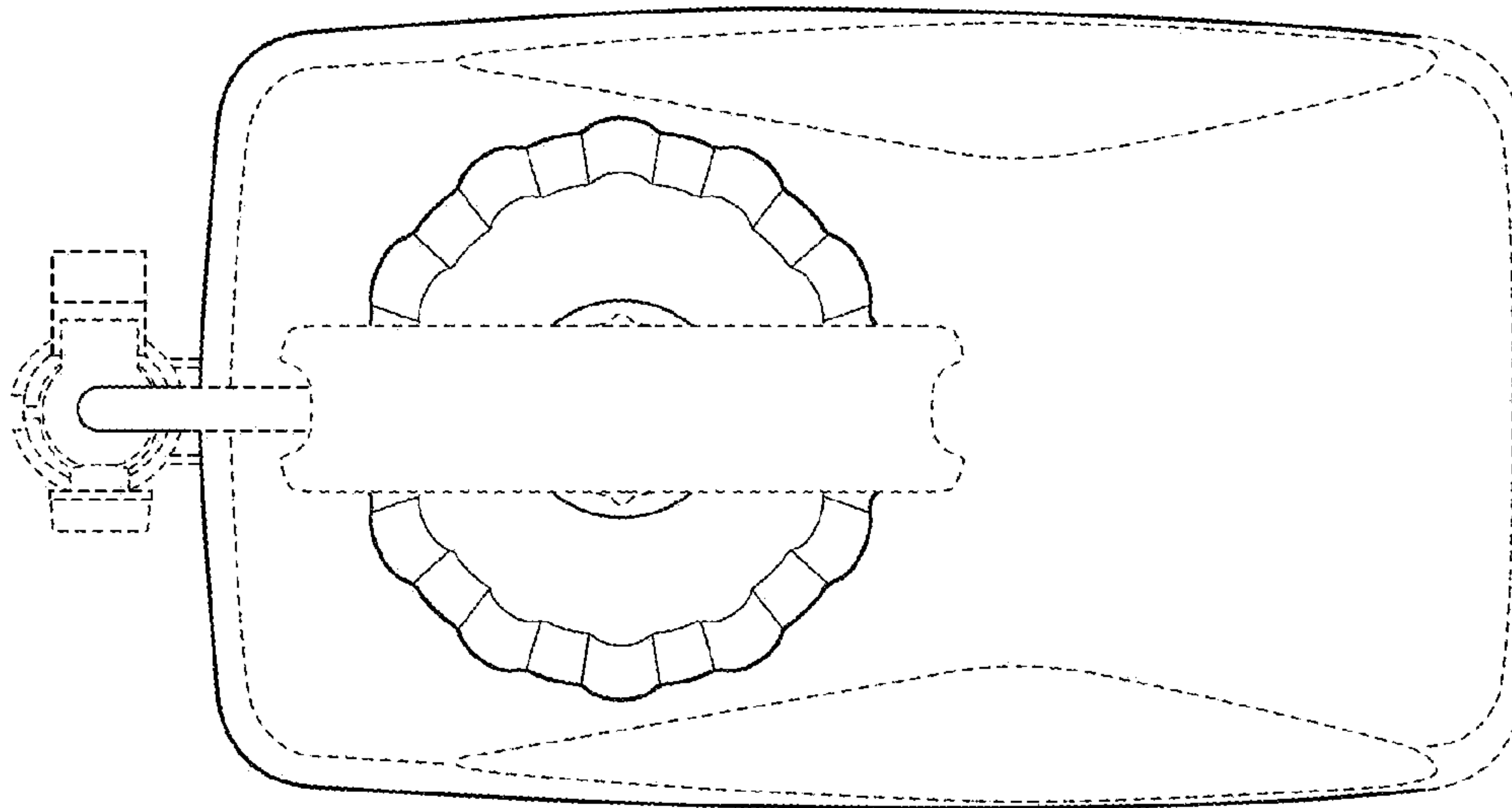


FIG. 17

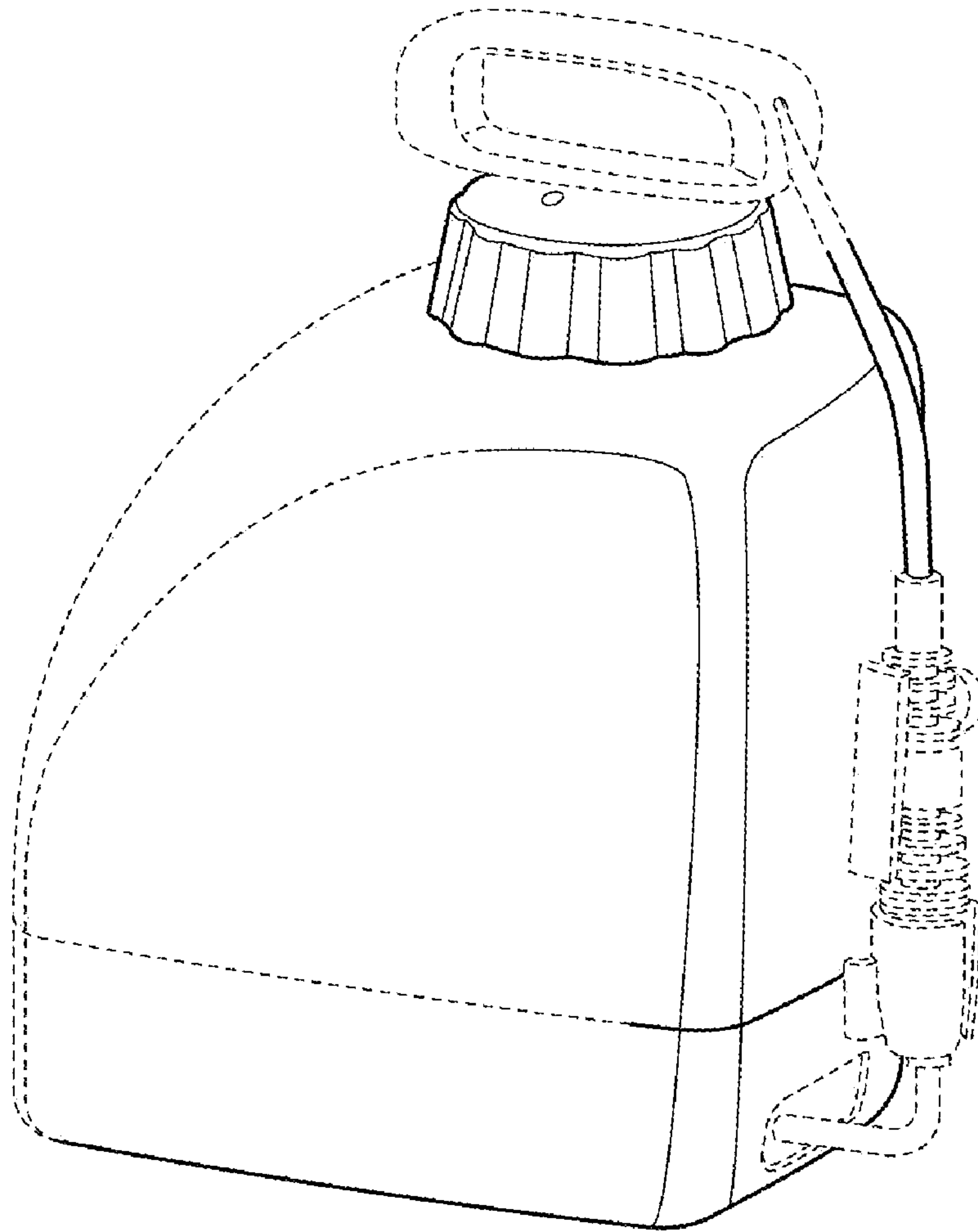


FIG. 18

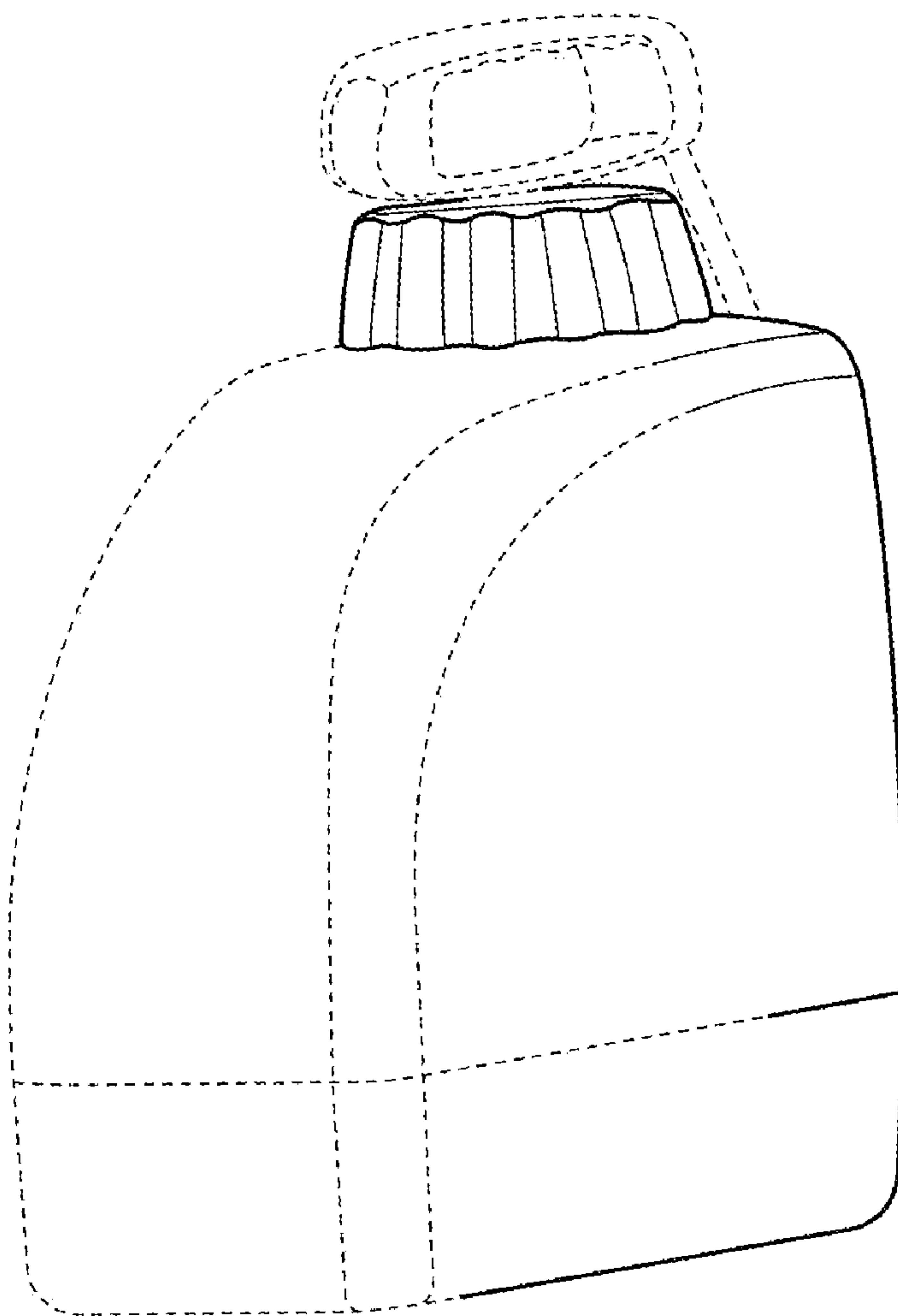


FIG. 19

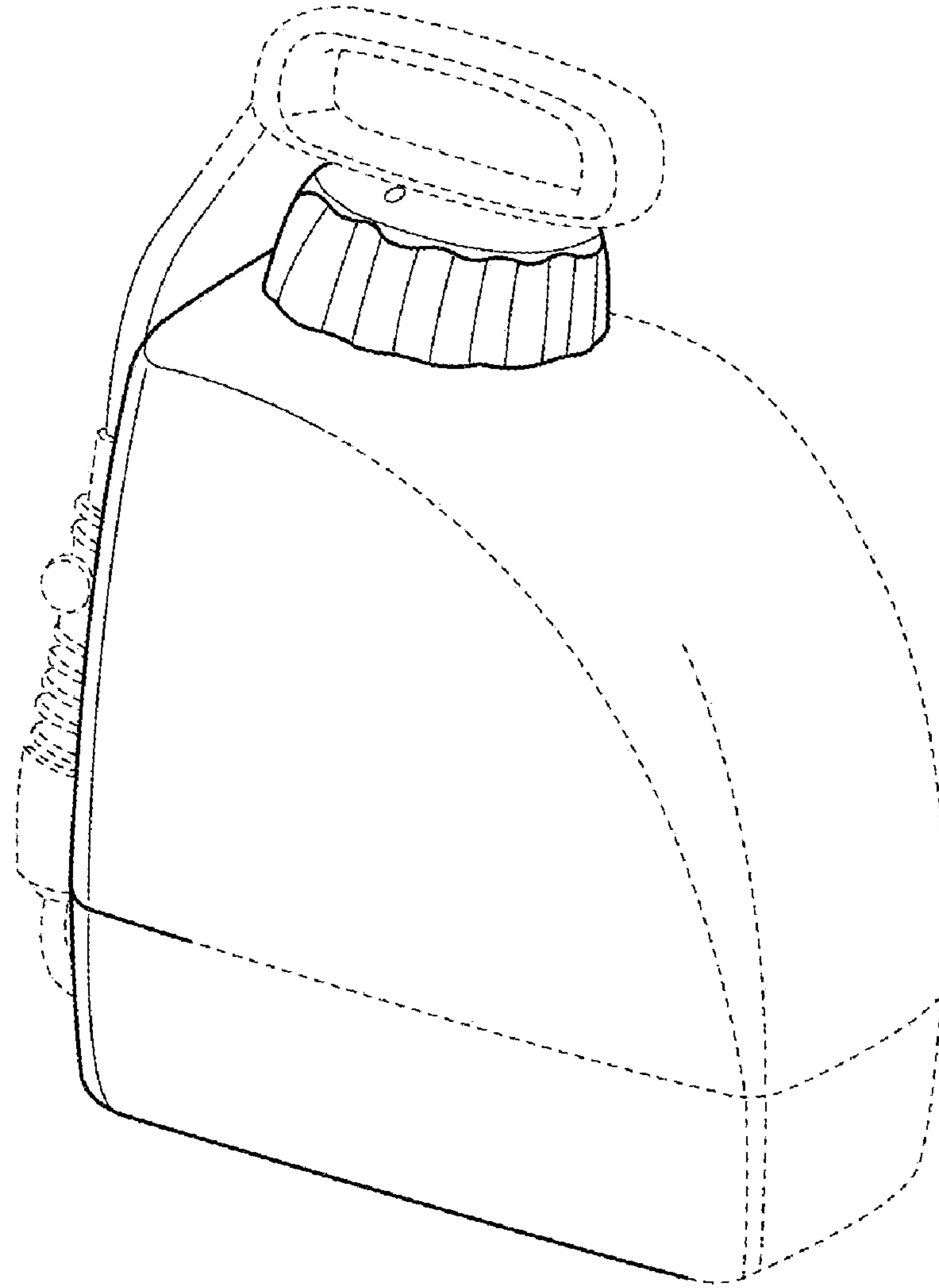


FIG. 20

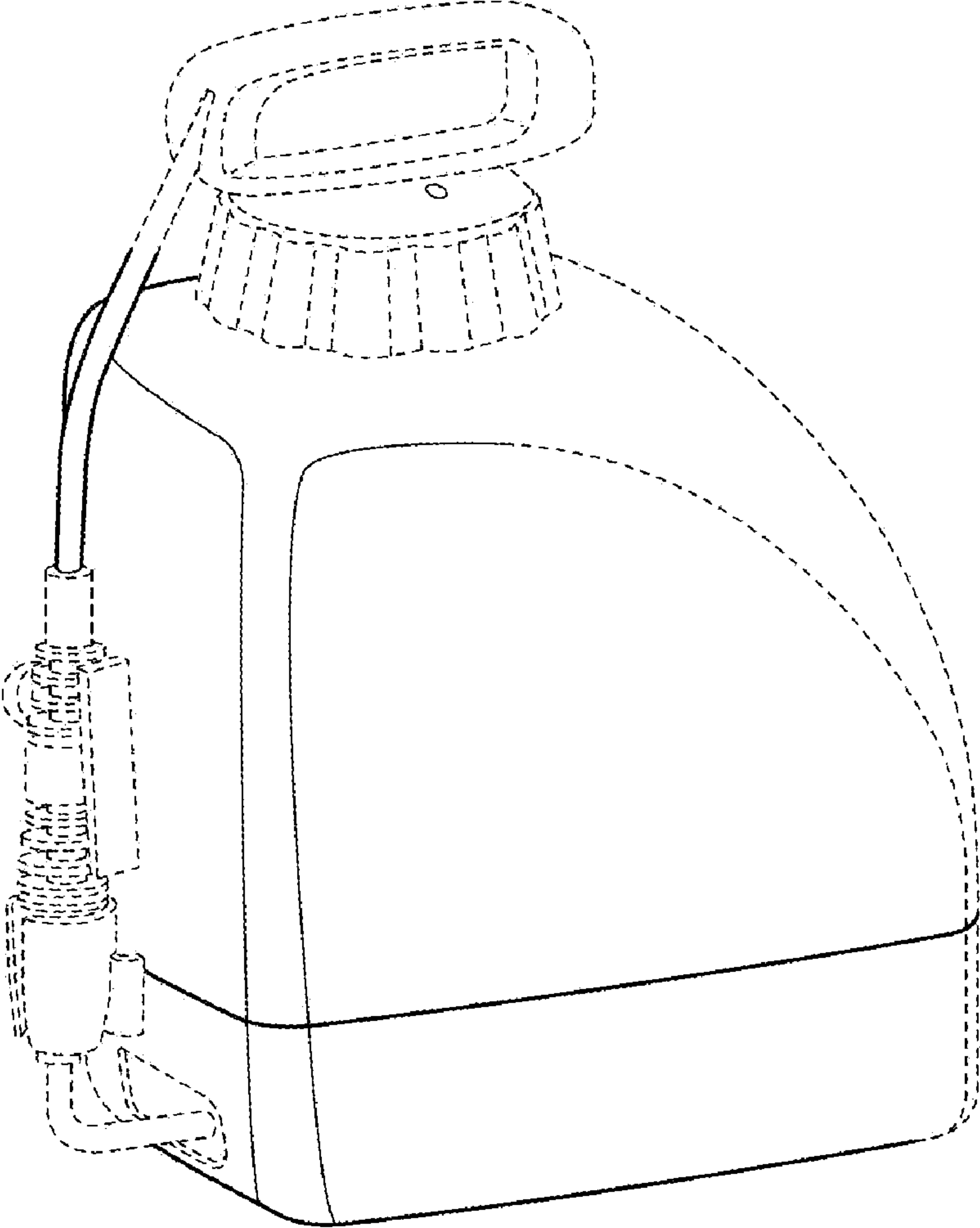


FIG. 21

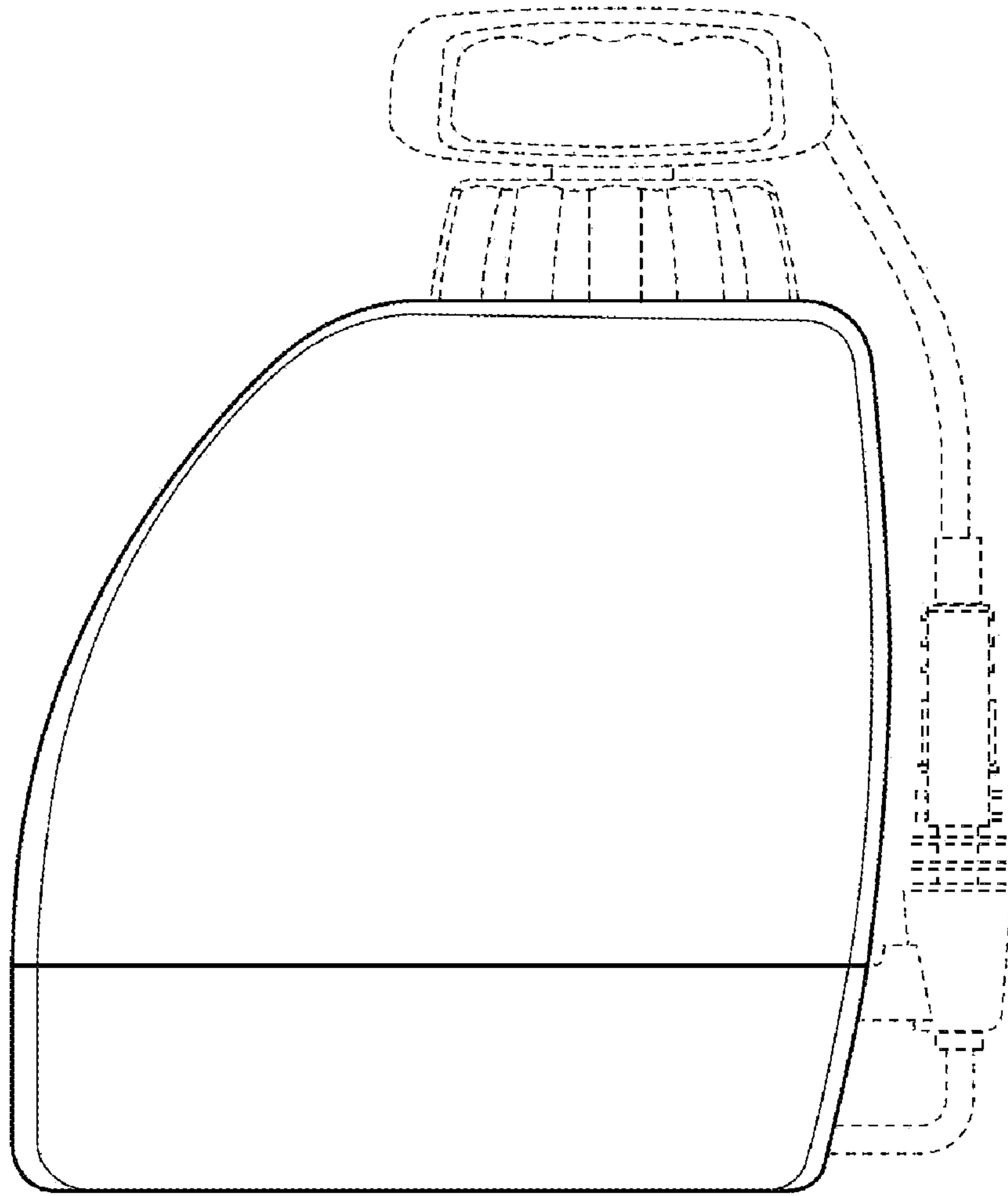


FIG. 22

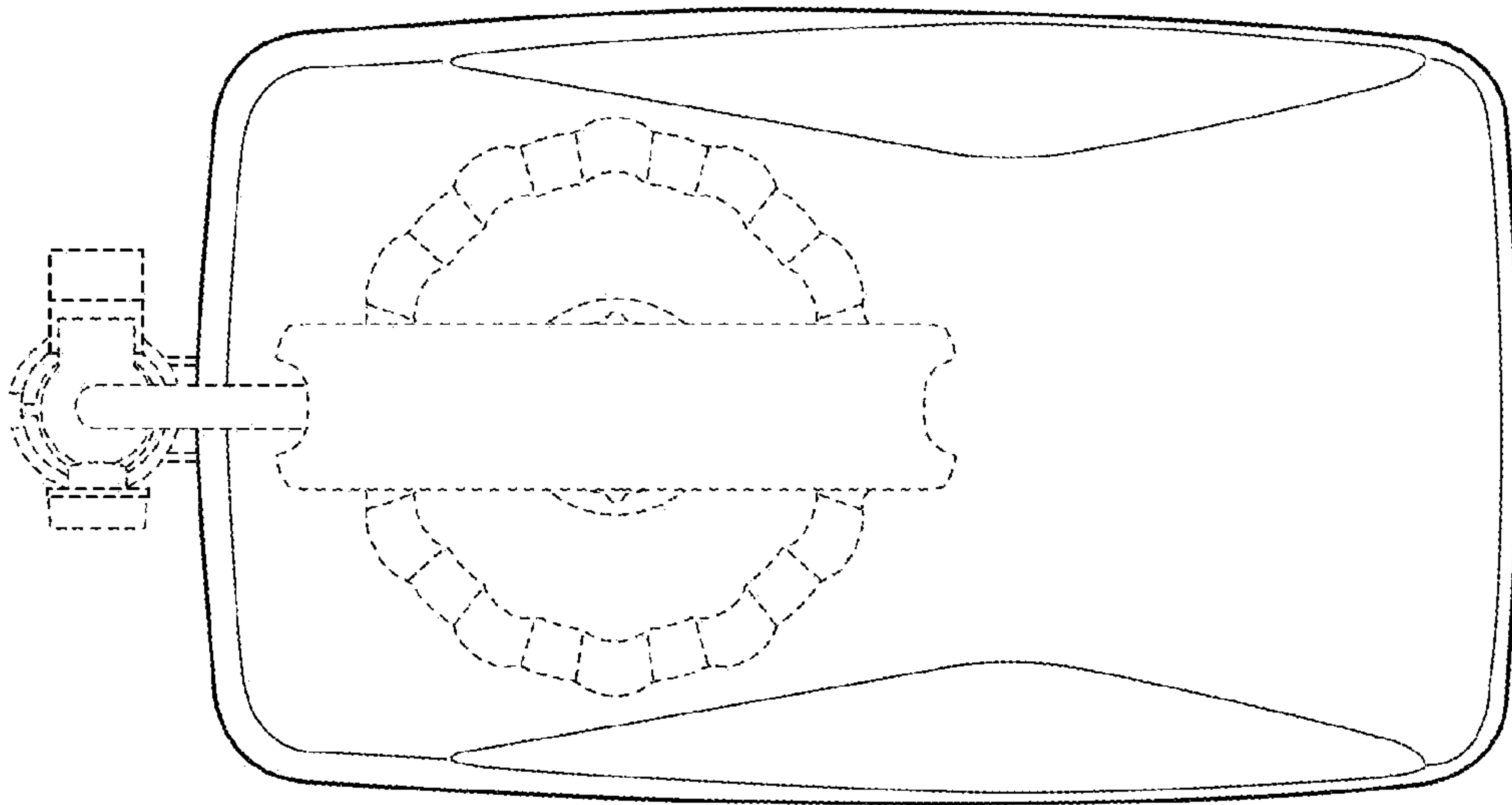


FIG. 23

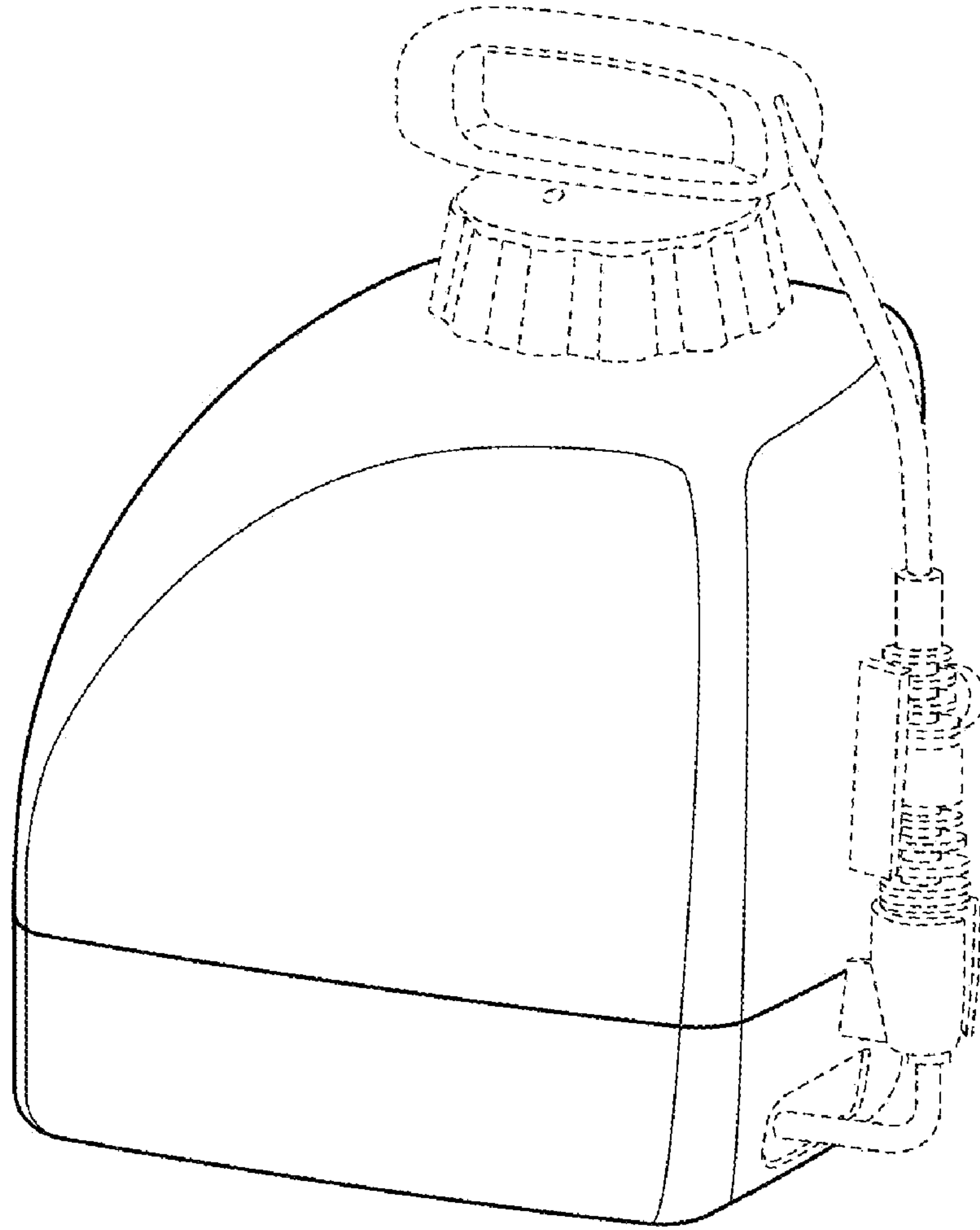


FIG. 24

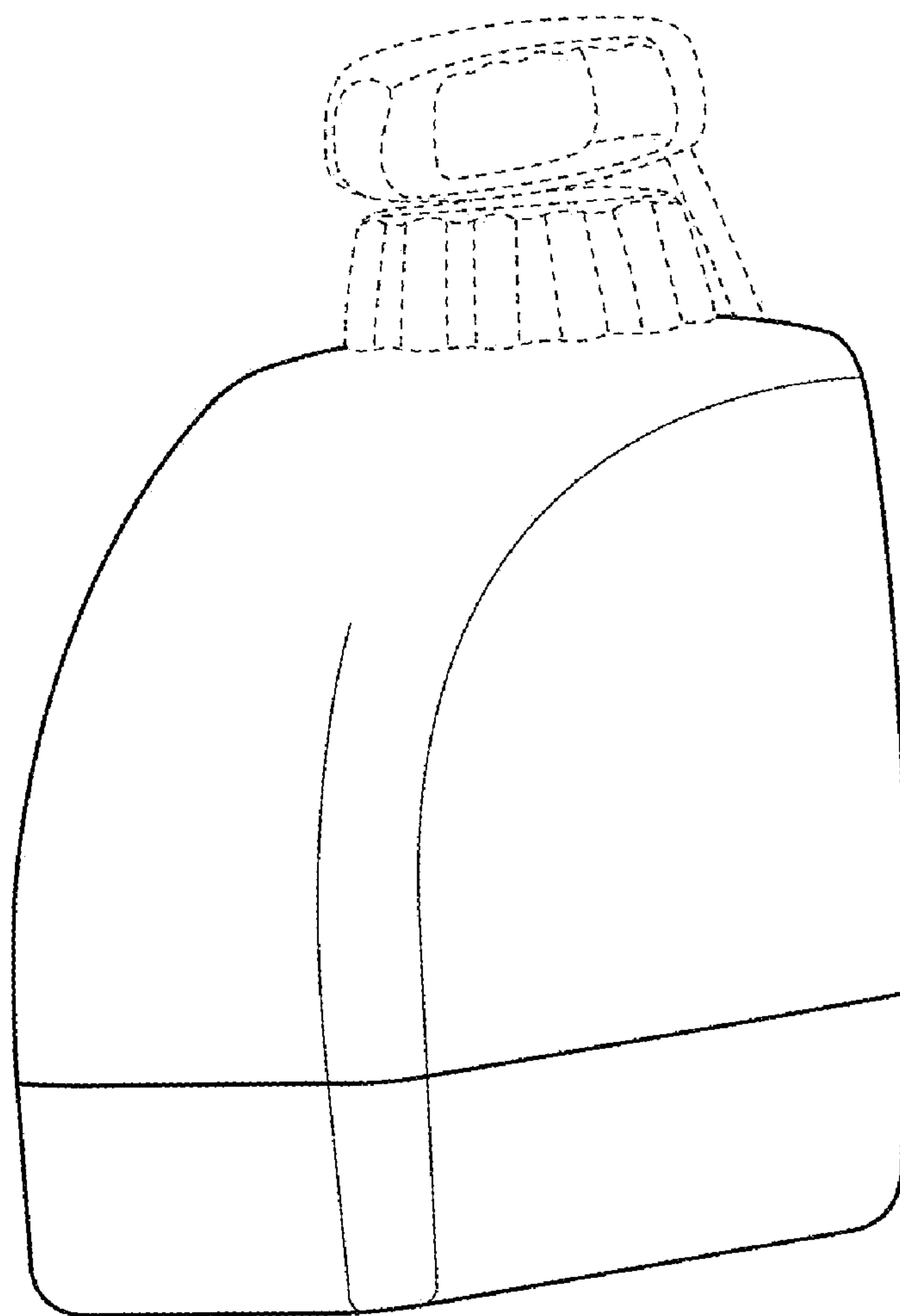


FIG. 25

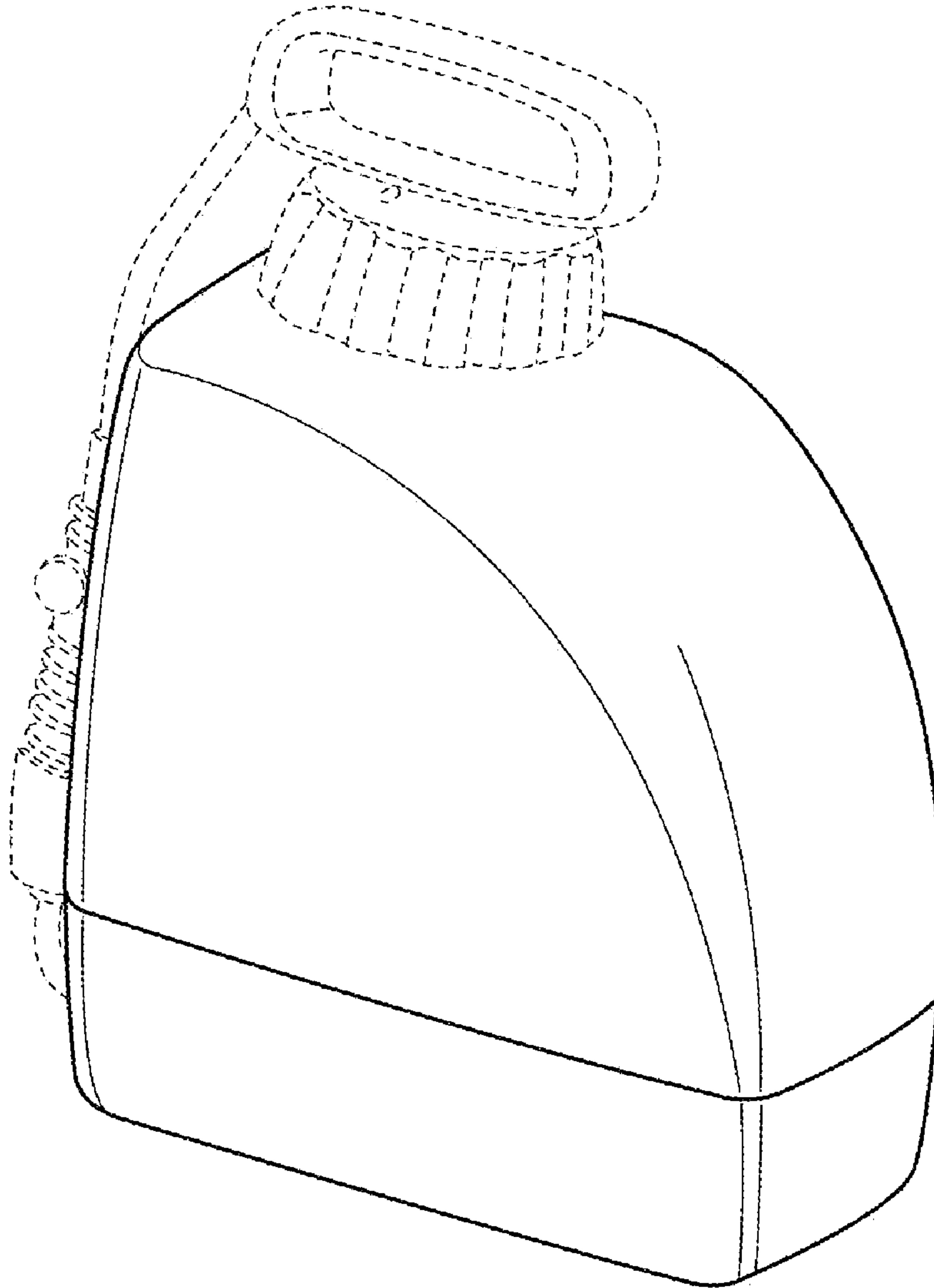


FIG. 26

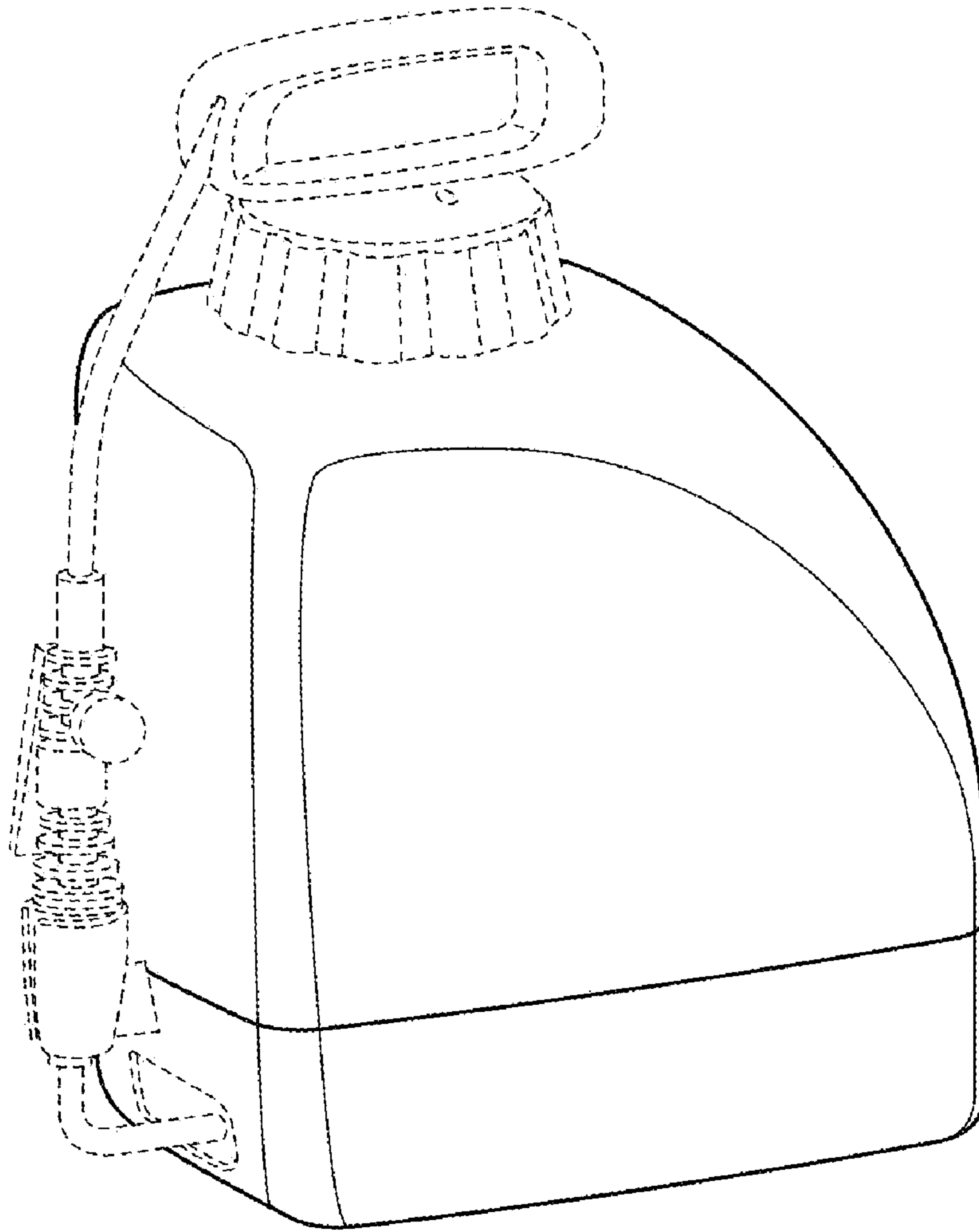


FIG. 27