



US00D633982S

(12) **United States Design Patent**
Palmer et al.

(10) **Patent No.:** **US D633,982 S**
(45) **Date of Patent:** **** Mar. 8, 2011**

(54) **FILTER HOUSING AND SUPPORT CABINET**

D500,119 S * 12/2004 Gaignet et al. D23/207
D502,757 S * 3/2005 Mork et al. D23/207
D530,388 S * 10/2006 Fletcher D23/207

(75) Inventors: **Ross Leslie Palmer**, Mt Gravatt (AU);
Christopher Townsend, Mt Gravatt (AU)

* cited by examiner

Primary Examiner — Robin V Webster

(73) Assignee: **Poolrite Research Pty Ltd**, Mt Gravatt (AU)

(74) *Attorney, Agent, or Firm* — Dilworth & Barrese, LLP.

(**) Term: **14 Years**

(57) **CLAIM**

The ornamental design for a filter housing and support cabinet, as shown and described.

(21) Appl. No.: **29/358,610**

DESCRIPTION

(22) Filed: **Mar. 30, 2010**

(30) **Foreign Application Priority Data**

Sep. 30, 2009 (AU) 328136

(51) **LOC (9) Cl.** **23-01**

(52) **U.S. Cl.** **D23/209**

(58) **Field of Classification Search** D23/207,
D23/209; 210/232, 435

See application file for complete search history.

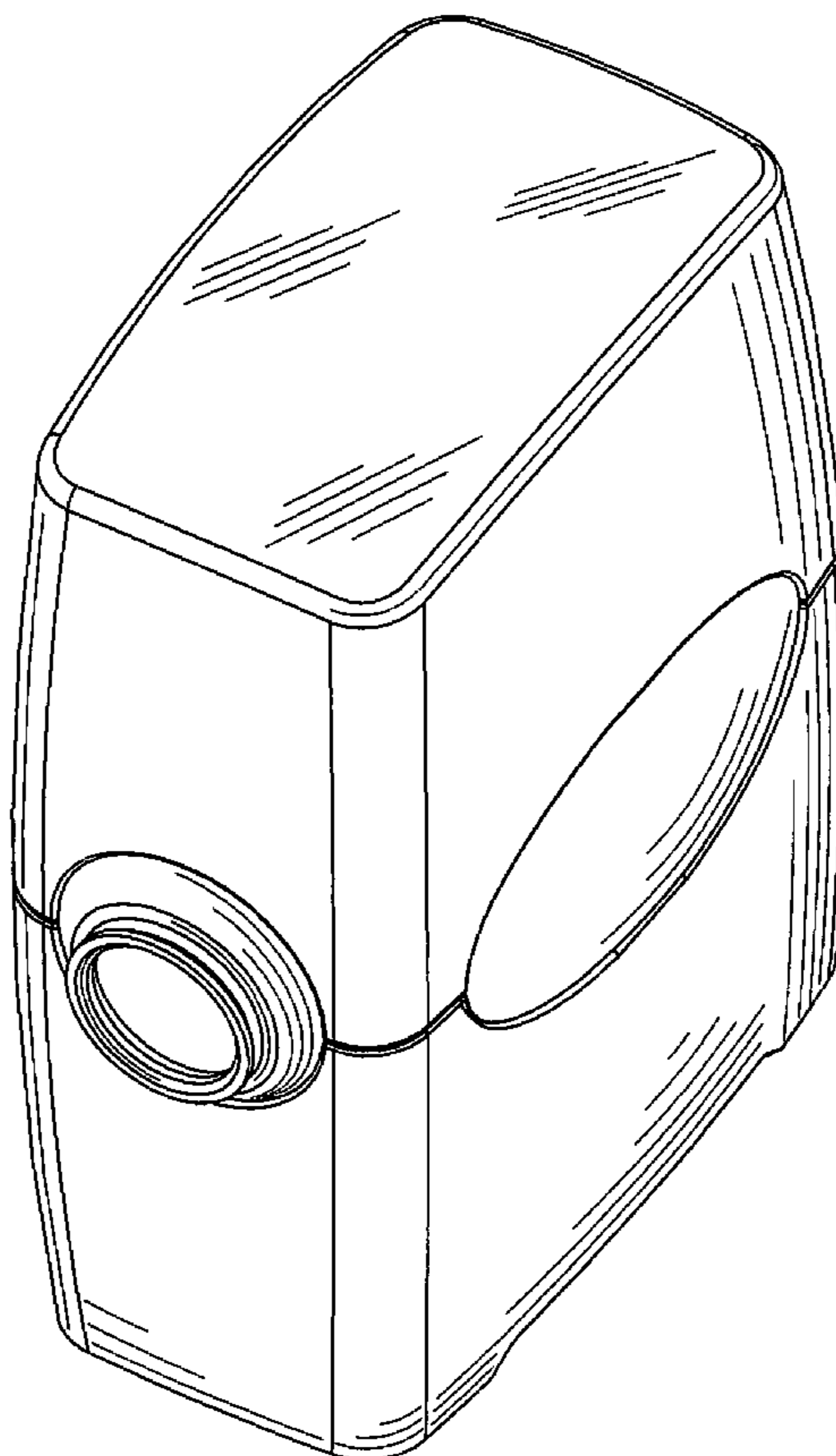
FIG. 1 is a top plan view of the filter housing and support cabinet showing our new design;
FIG. 2 is a front upper perspective view of the filter housing and support cabinet of FIG. 1;
FIG. 3 is a rear lower perspective view of the filter housing and support cabinet of FIGS. 1 and 2;
FIG. 4 is a left side elevational view of the filter housing and support cabinet of FIGS. 1-3;
FIG. 5 is a front elevational view of the filter housing and support cabinet of FIGS. 1-4;
FIG. 6 is a rear elevational view of the filter housing and support cabinet of FIGS. 1-5; and,
FIG. 7 is a bottom plan view of the filter housing and support cabinet of FIGS. 1-6.

(56) **References Cited**

U.S. PATENT DOCUMENTS

D315,779 S * 3/1991 Strand et al. D23/209
D338,705 S * 8/1993 Spokoiny D23/209
D421,089 S * 2/2000 Fujita et al. D23/207

1 Claim, 7 Drawing Sheets



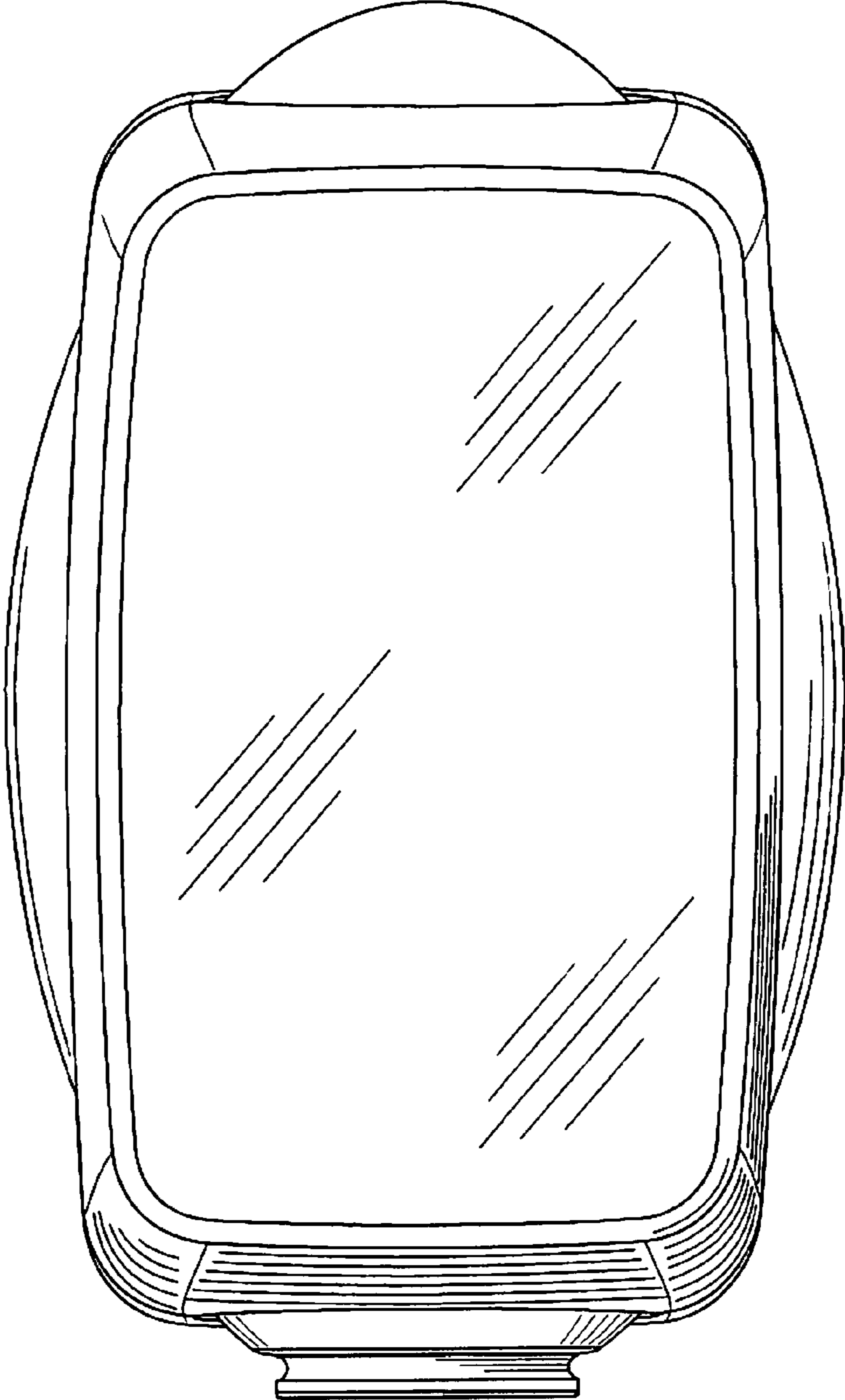


FIG. 1

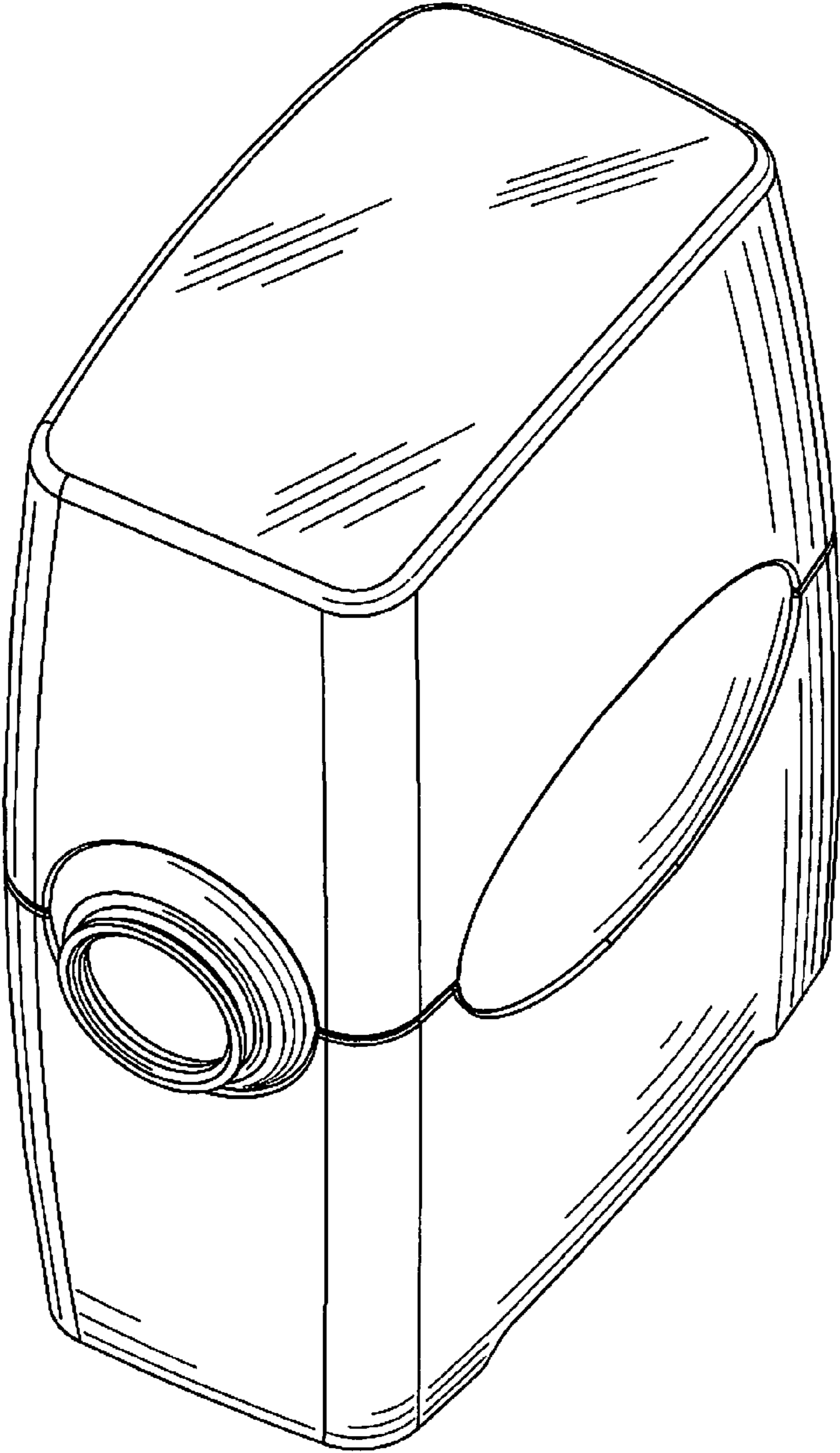


FIG. 2

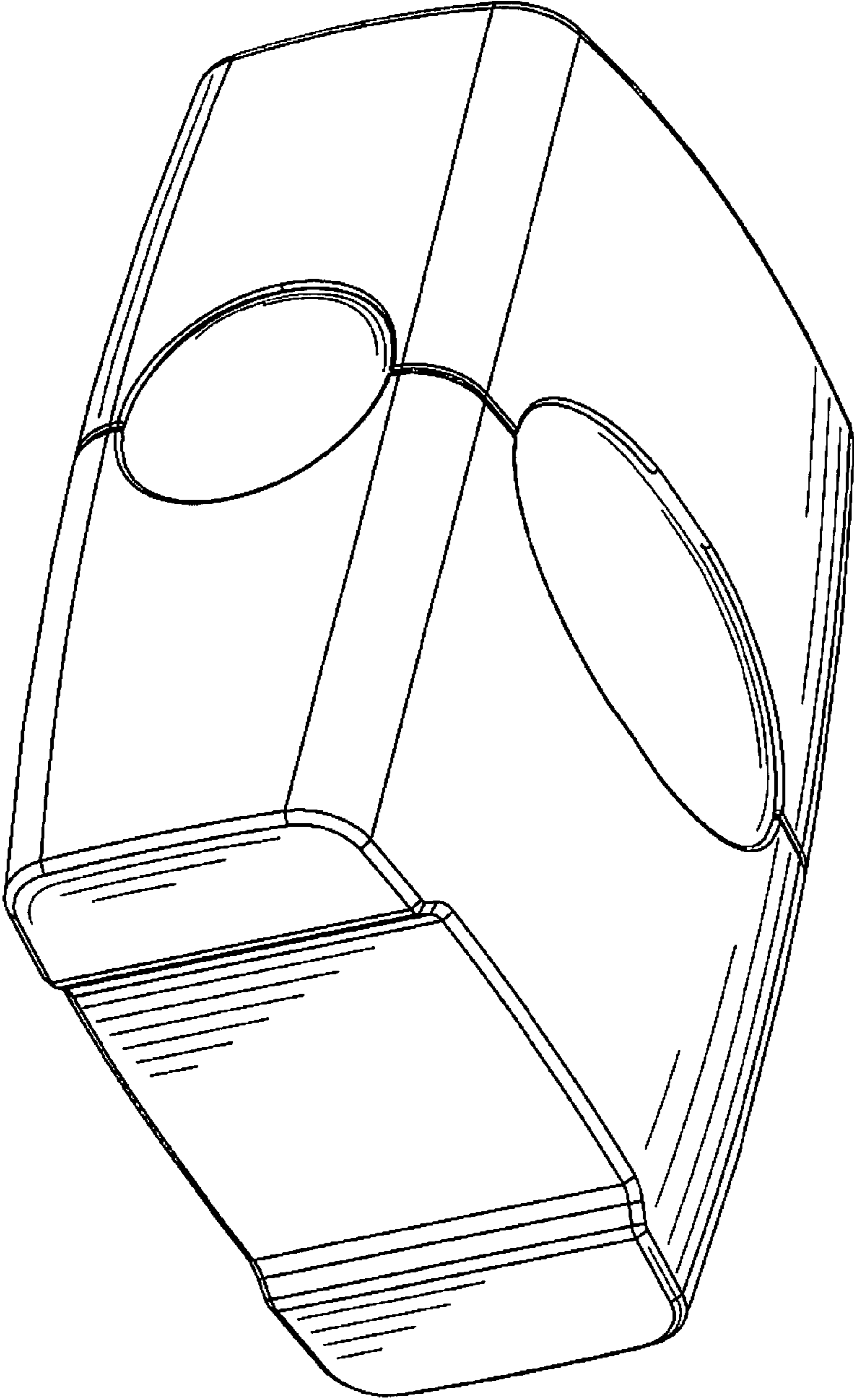


FIG. 3

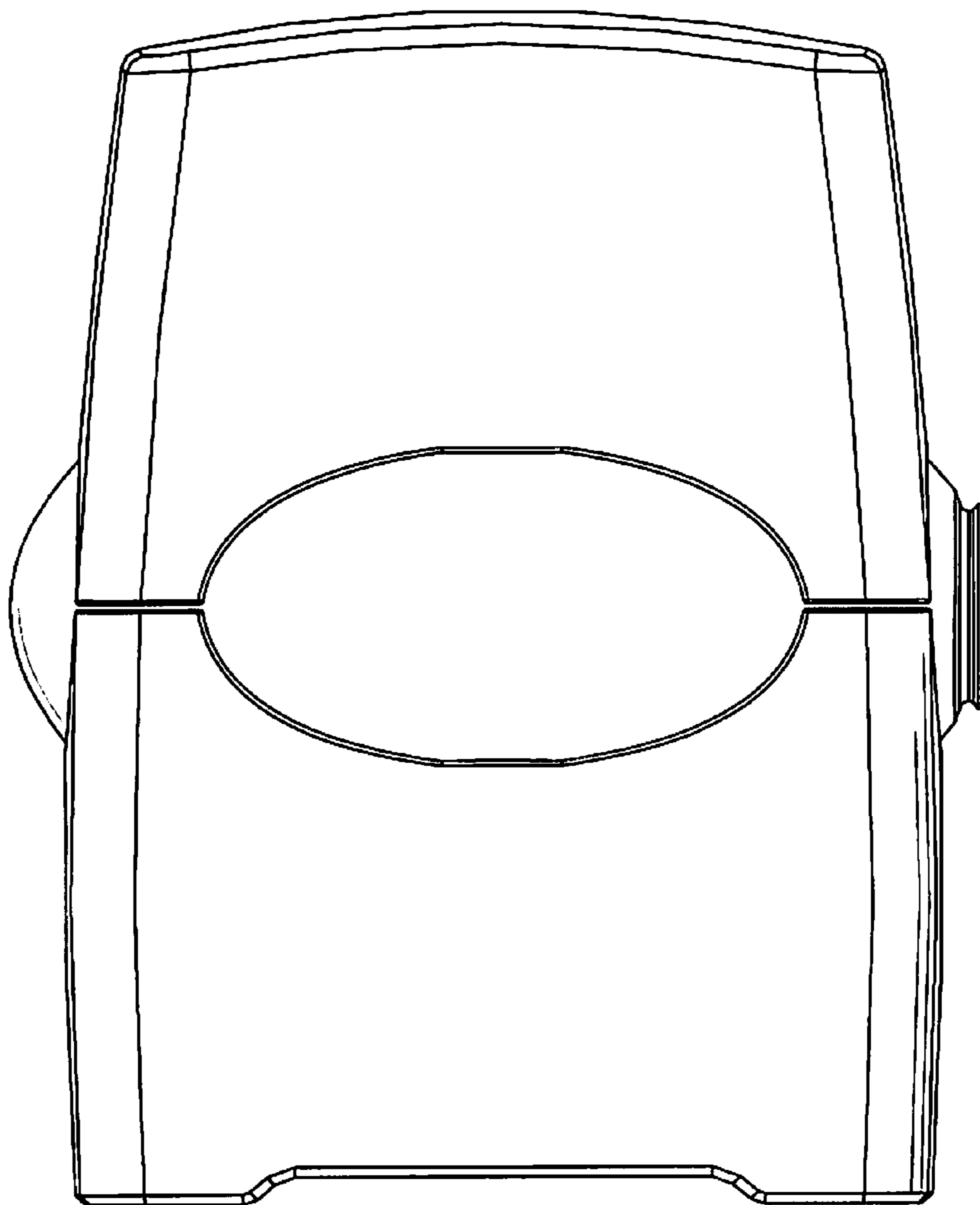


FIG. 4

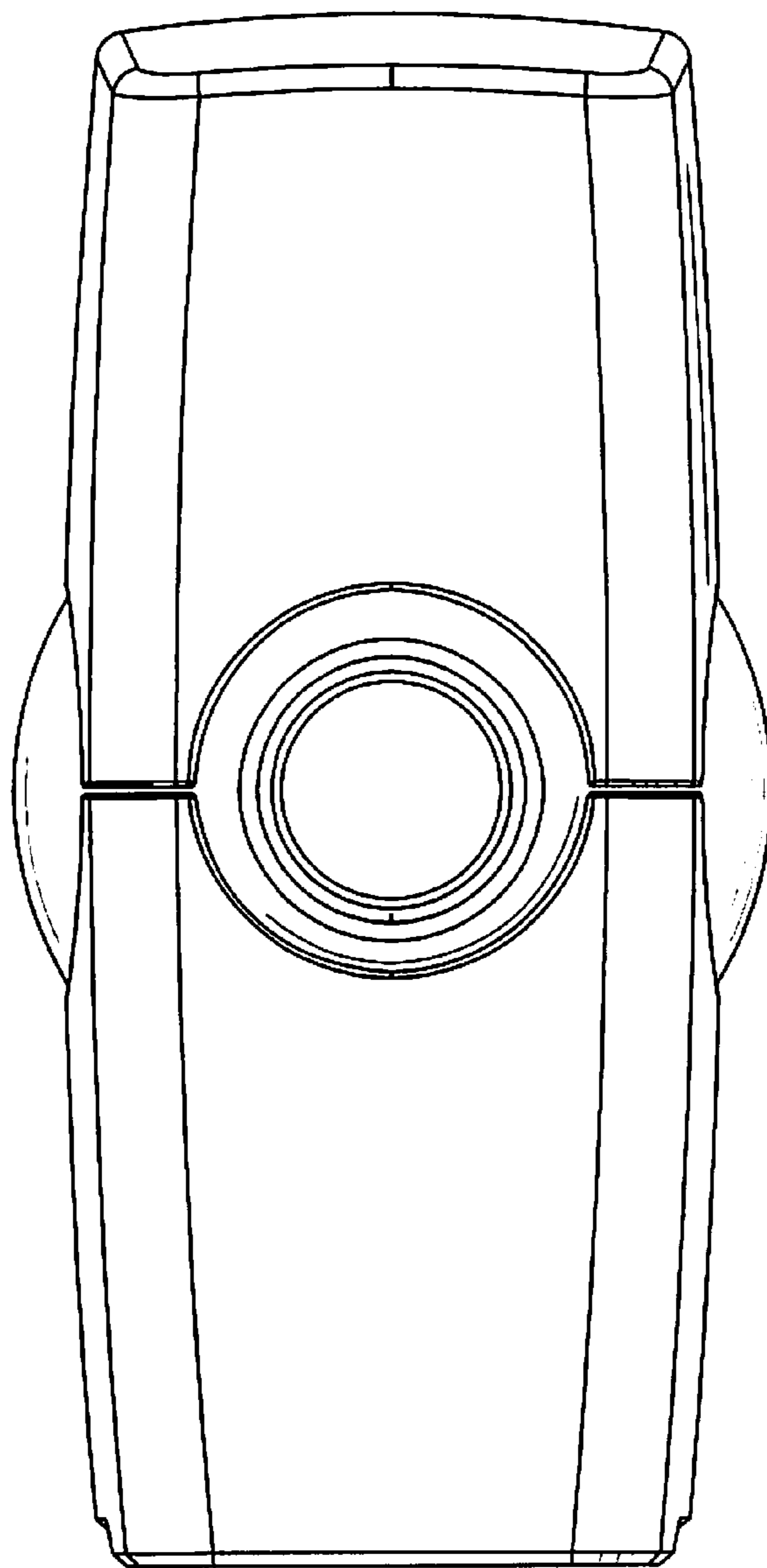


FIG. 5

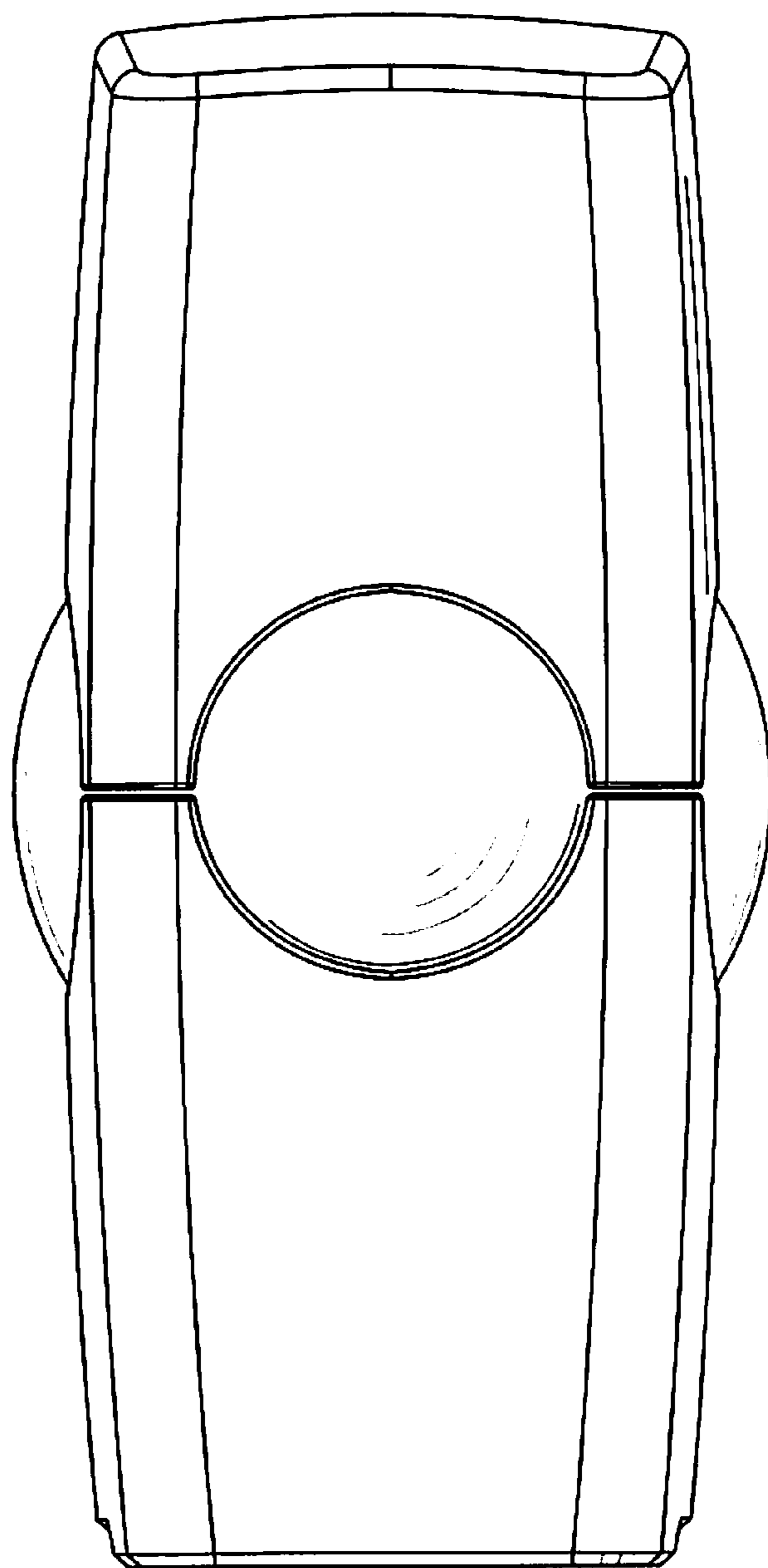


FIG. 6

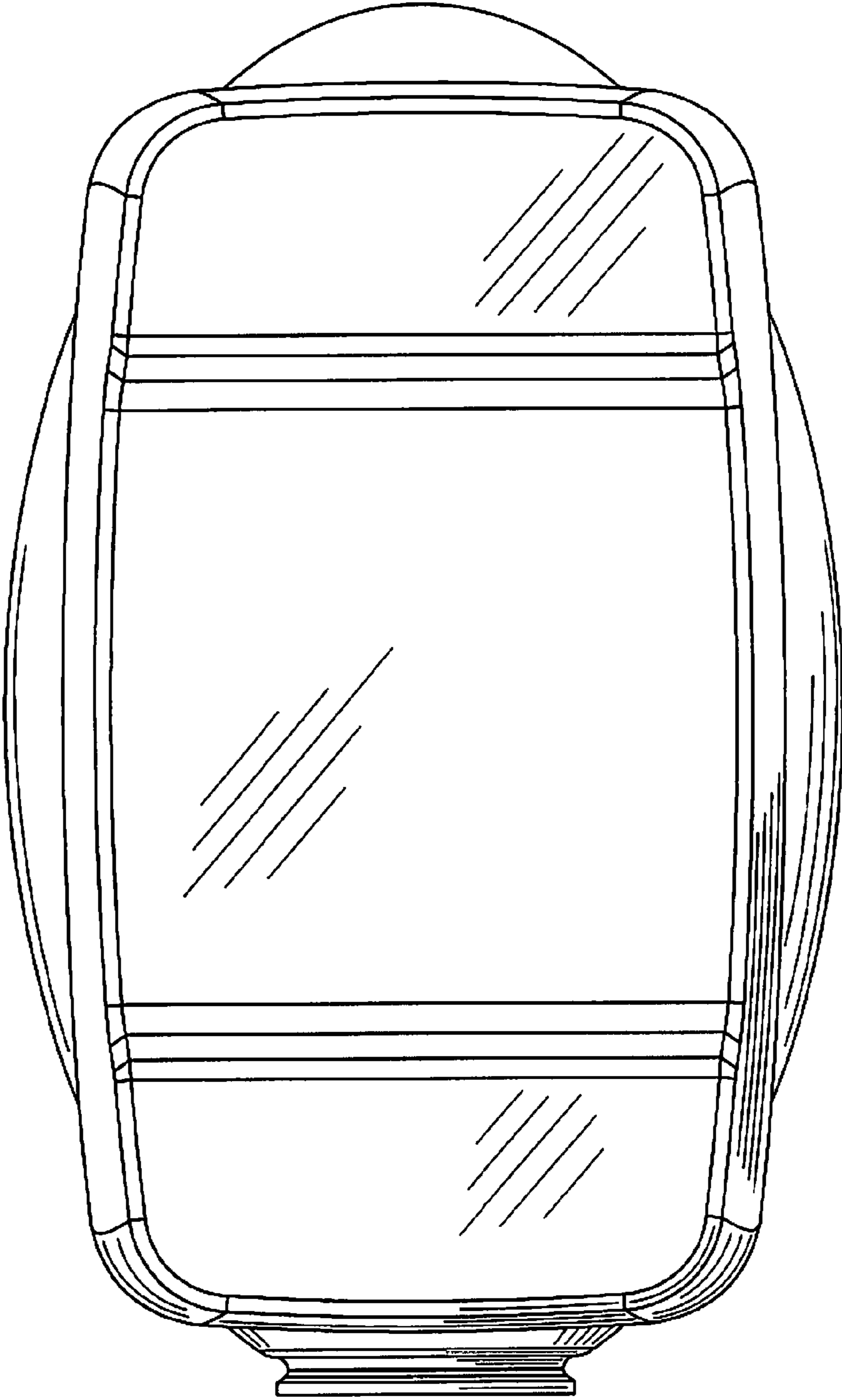


FIG. 7