



US00D633981S

(12) **United States Design Patent**
Sedor et al.

(10) **Patent No.:** **US D633,981 S**
(45) **Date of Patent:** **** Mar. 8, 2011**

(54) **BUCKET**

(76) Inventors: **Chris Francis Sedor**, Milwaukee, WI
(US); **Gerald W. Belisle**, Hubertus, WI
(US)

(**) Term: **14 Years**

(21) Appl. No.: **29/364,163**

(22) Filed: **Jun. 18, 2010**

(51) **LOC (9) Cl.** **22-05**

(52) **U.S. Cl.** **D22/136**

(58) **Field of Classification Search** D22/136,
D22/134-135, 199; 43/21.2, 17.5, 54.1,
43/57.1; 206/315.11; D3/260; 119/223;
D7/500

See application file for complete search history.

(56) **References Cited**

U.S. PATENT DOCUMENTS

1,385,792 A	7/1921	Petty	
D158,045 S	4/1950	Brankstone	
2,697,296 A	12/1954	Steele	
3,220,140 A *	11/1965	Shirley, Sr.	43/55
3,751,845 A	8/1973	van Leeuwen	
D235,205 S	5/1975	Schwartz	
D256,605 S	8/1980	Corby	
4,677,785 A	7/1987	Lambourn	
D300,347 S	3/1989	Robbins	
4,999,943 A *	3/1991	Crabtree	43/54.1
D320,060 S	9/1991	Austin	
D328,774 S	8/1992	Galante	
D328,775 S	8/1992	Galante	
D362,710 S	9/1995	Hambrick	

D368,347 S *	3/1996	Kruger	D32/53
D371,185 S	6/1996	Mullins	
D386,860 S *	11/1997	Breen	D32/53
D438,931 S	3/2001	Gomez	
D462,737 S *	9/2002	Lipari	D22/136
D483,715 S	12/2003	Montgomery	
D497,274 S	10/2004	Hogle	
D541,369 S *	4/2007	Jordan	D22/136
D574,668 S	8/2008	Kelly	

* cited by examiner

Primary Examiner—Catherine R Oliver

(74) *Attorney, Agent, or Firm*—QuickPatents, Inc.; Kevin Prince

(57) **CLAIM**

What is claimed is the ornamental design for a lure-holding bucket, as shown and described.

DESCRIPTION

FIG. 1 is a perspective view of a lure-holding bucket, showing the new design;

FIG. 2 is a front elevational view thereof;

FIG. 3 is a rear elevational view thereof;

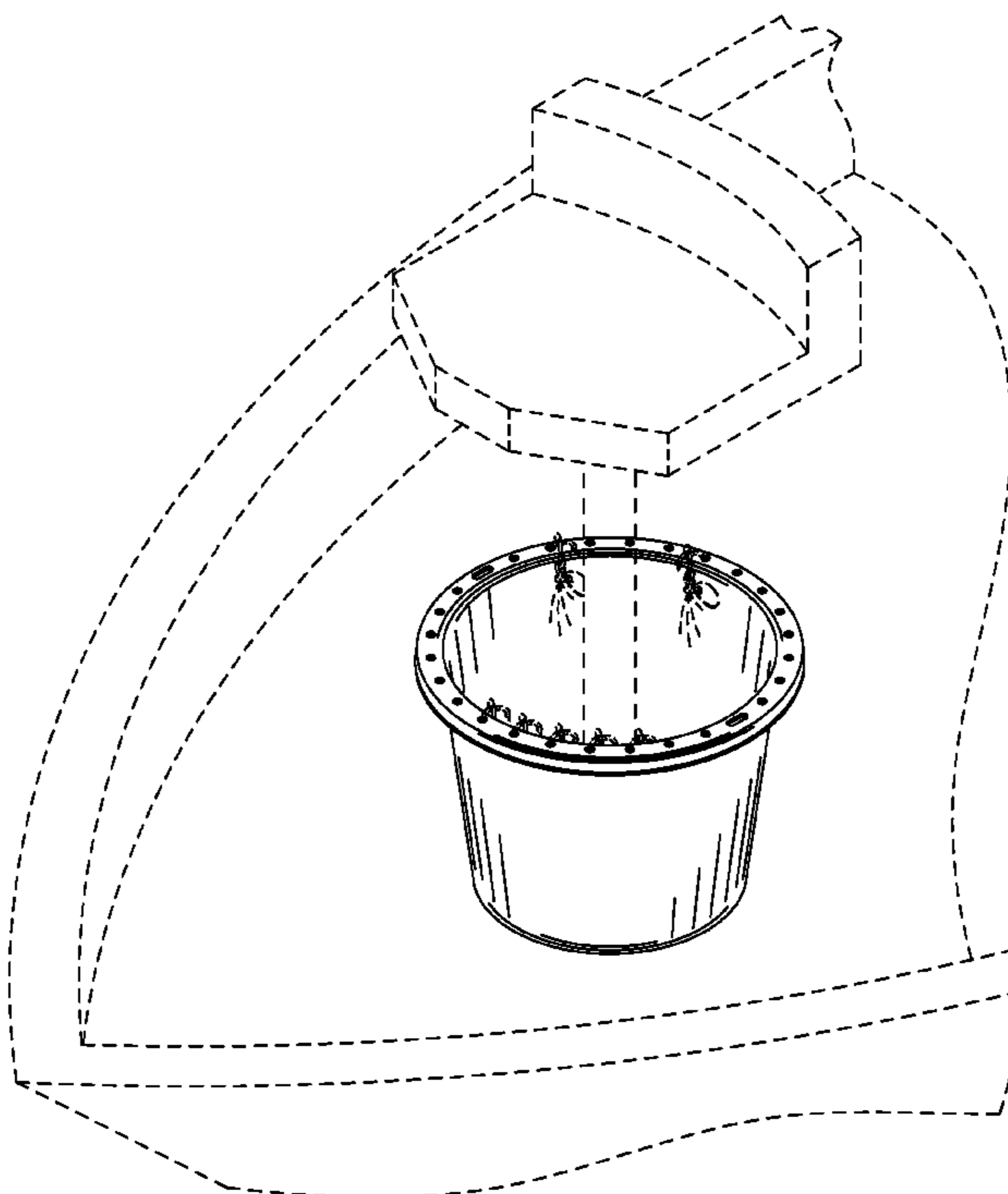
FIG. 4 is a left-side elevational view thereof, the right-side elevational view being a mirror image thereof;

FIG. 5 is a top plan view thereof; and,

FIG. 6 is a bottom plan view thereof.

The broken lines showing a boat, stool and lures in FIG. 1 are included for the purpose of illustrating the invention in use, and form no part of the claimed design.

1 Claim, 4 Drawing Sheets



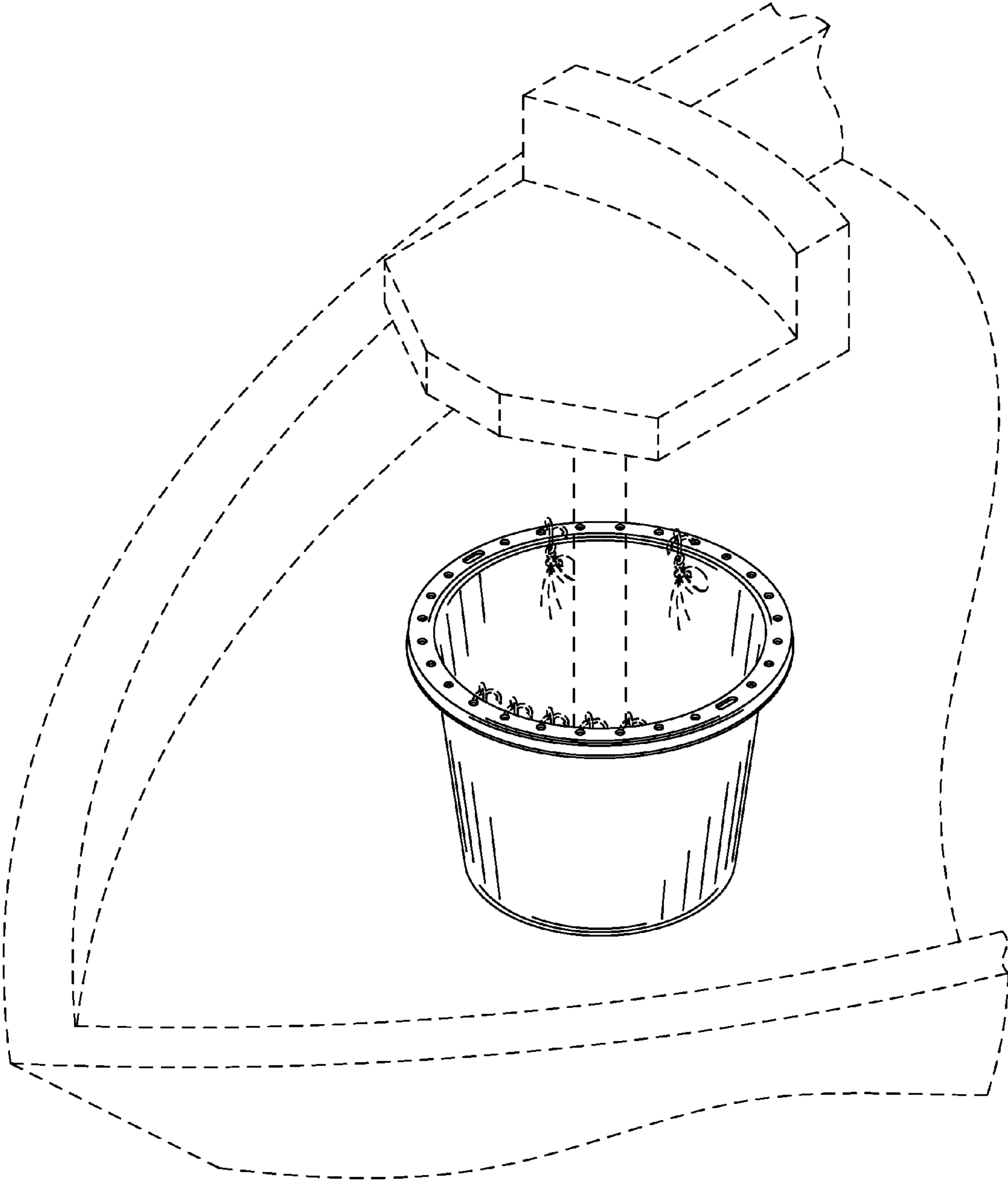


FIG. 1

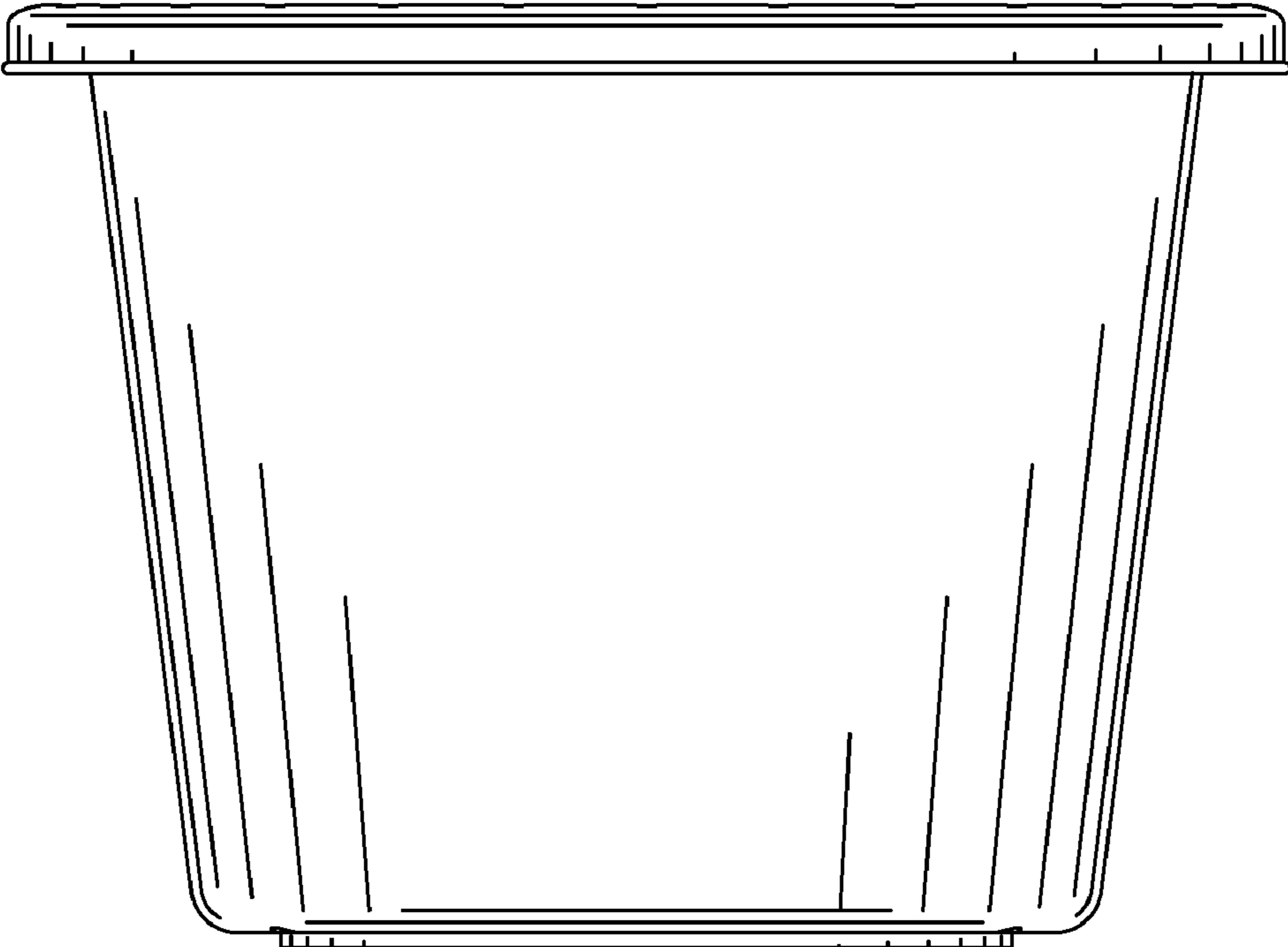


FIG. 2

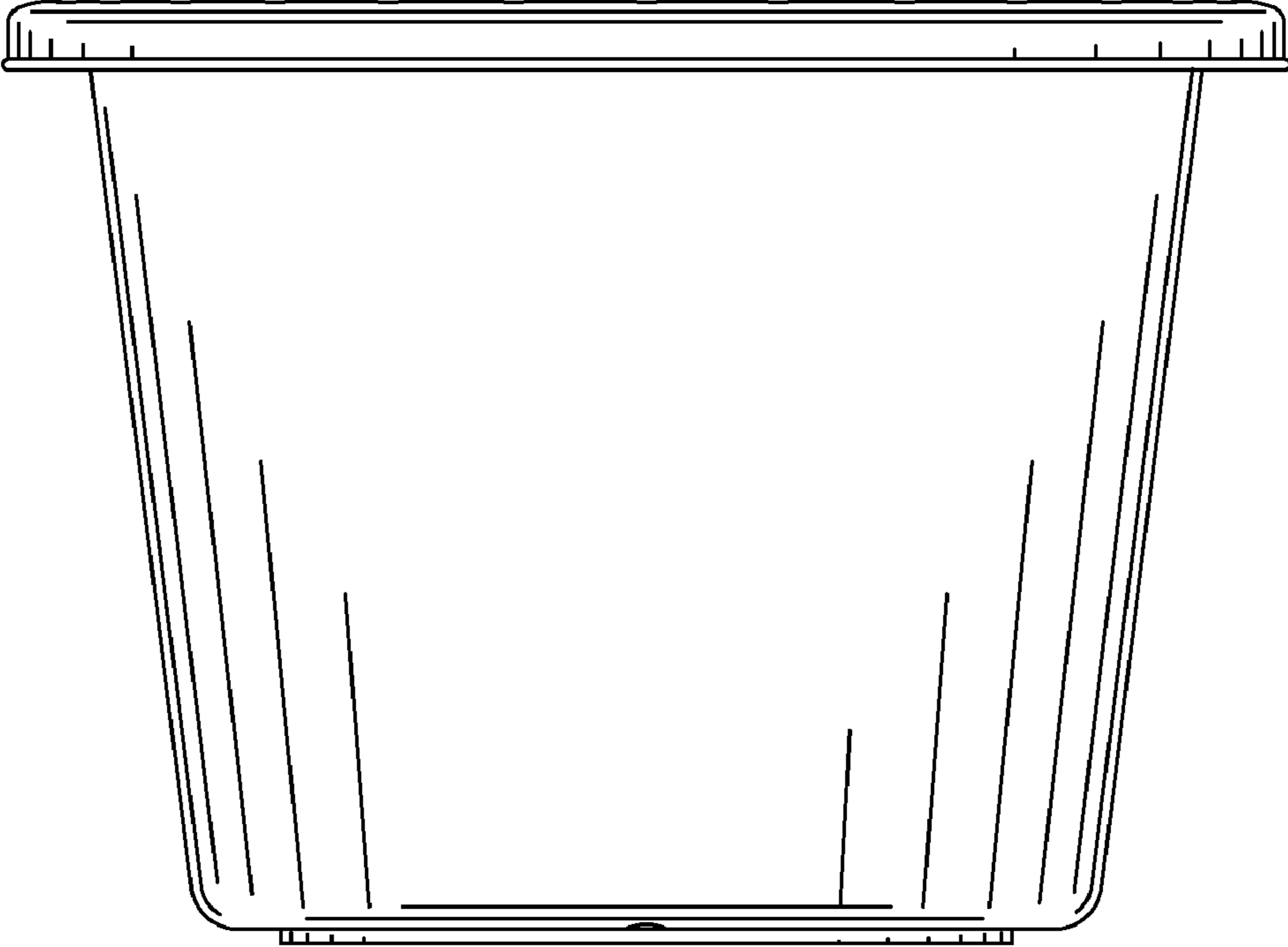


FIG. 3

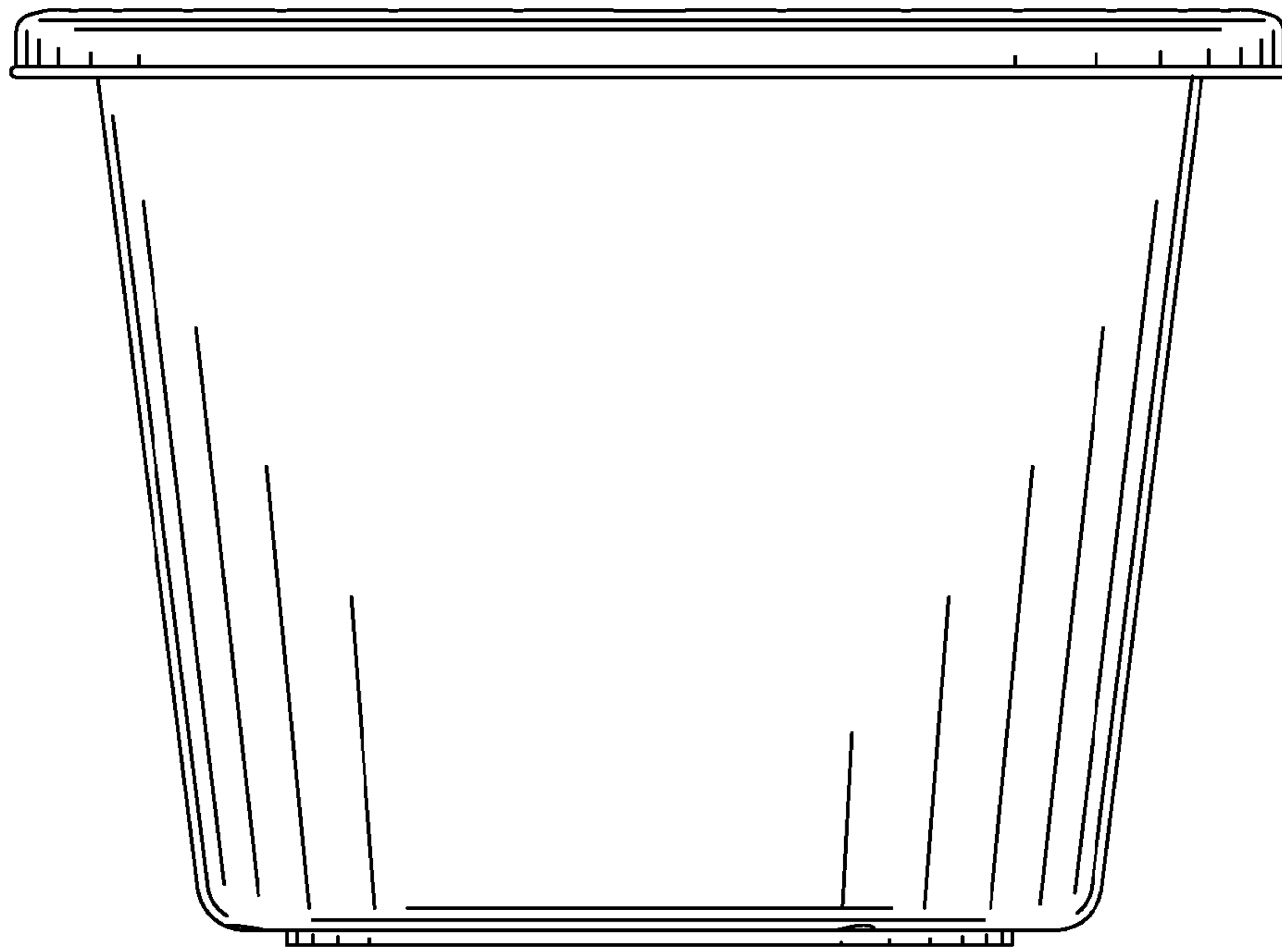


FIG. 4

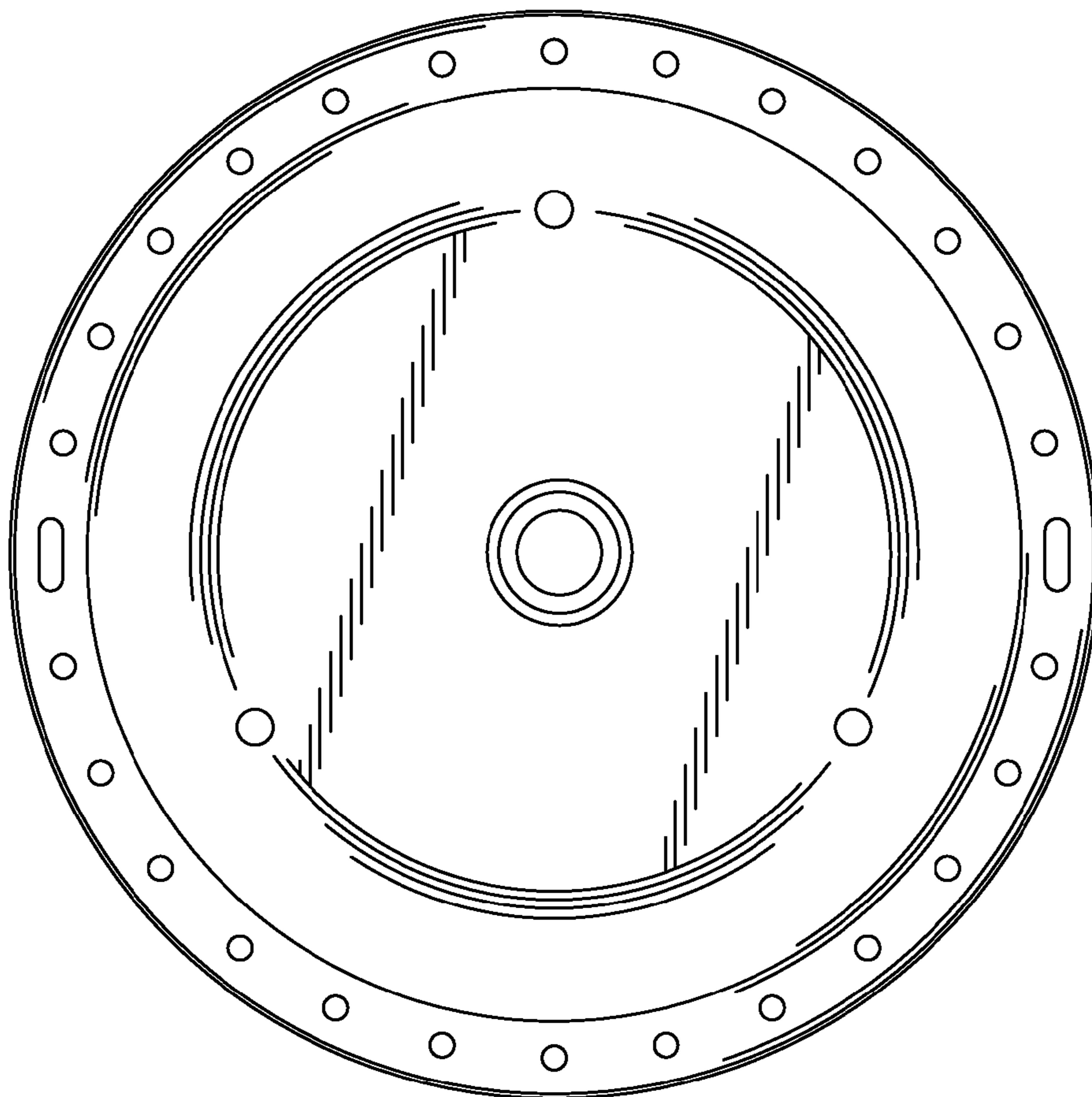


FIG. 5

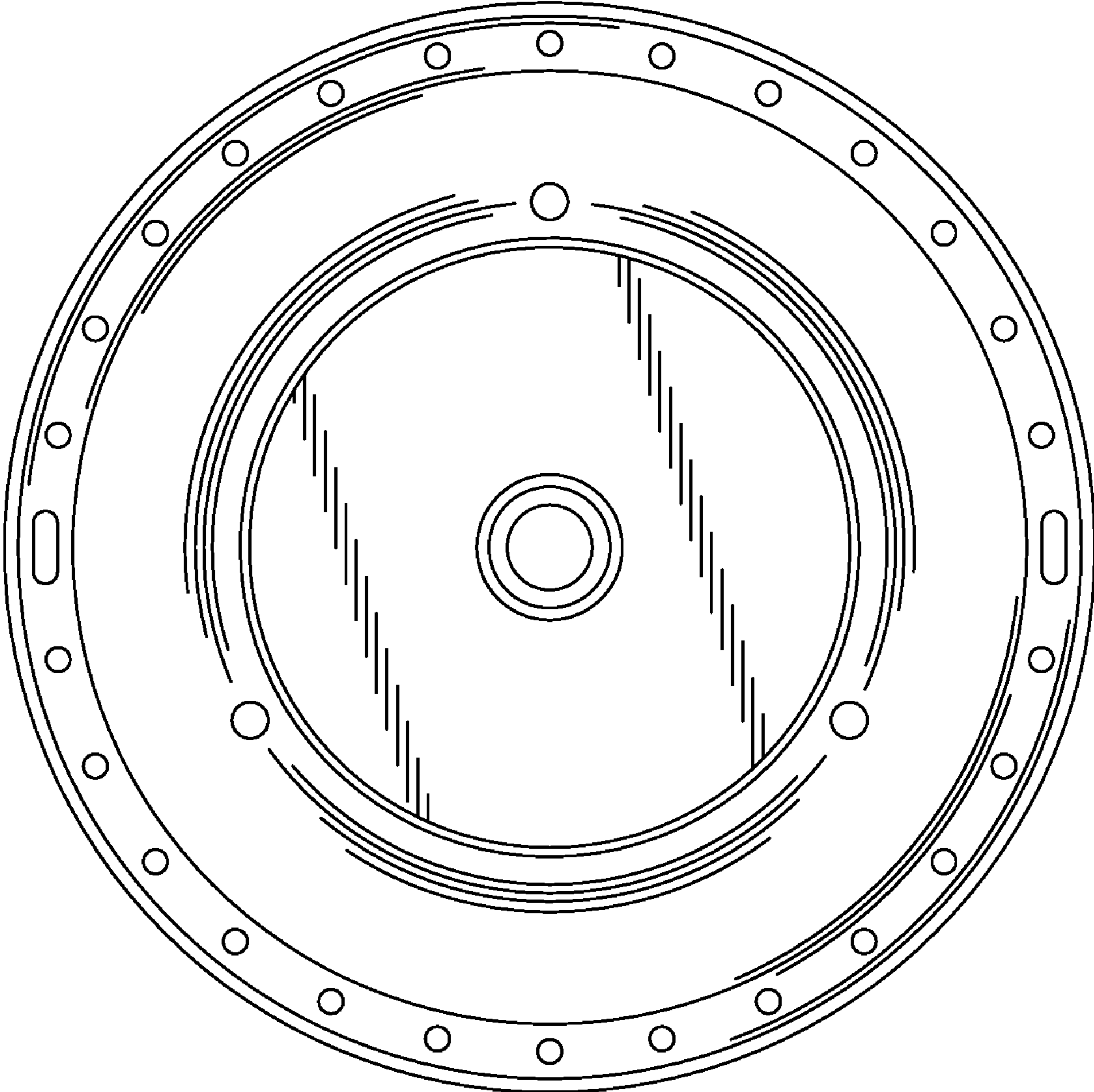


FIG. 6