



US00D633980S

(12) **United States Design Patent**
Patterson

(10) **Patent No.:** **US D633,980 S**

(45) **Date of Patent:** **** *Mar. 8, 2011**

(54) **HOOK RETRIEVER DEVICE**

(76) Inventor: **R. V. Patterson**, Memphis, TN (US)

(*) Notice: This patent is subject to a terminal disclaimer.

(**) Term: **14 Years**

(21) Appl. No.: **29/327,672**

(22) Filed: **Nov. 11, 2008**

(51) **LOC (9) Cl.** **22-05**

(52) **U.S. Cl.** **D22/134; D8/14**

(58) **Field of Classification Search** D22/134,
D22/149; D8/14, 47, 88-89; 43/17.2; 81/488
See application file for complete search history.

(56) **References Cited**

U.S. PATENT DOCUMENTS

2,316,500	A *	4/1943	Bray	43/17.2
2,344,838	A *	3/1944	Van Sickle	43/17.2
2,397,916	A *	4/1946	Bray	43/17.2
2,472,207	A *	6/1949	Gundel	43/17.2
D156,013	S *	11/1949	Knaur	D22/149
2,553,173	A *	5/1951	Consolo et al.	43/17.2
2,594,852	A *	4/1952	Bivens	43/17.2
2,714,777	A *	8/1955	Peak	43/17.2
2,716,793	A *	9/1955	Perlmutter	24/716
2,758,406	A *	8/1956	Childress	43/17.2
2,770,062	A *	11/1956	Russell	43/17.2
2,807,906	A *	10/1957	Mun	43/17.2
2,906,050	A *	9/1959	Foster et al.	43/17.2
3,010,241	A *	11/1961	Terry	43/17.2
3,072,179	A *	1/1963	Polkosnik	160/348
3,139,647	A *	7/1964	Cialella	16/87.4 R
3,144,728	A *	8/1964	Stevens	43/17.2
3,156,064	A *	11/1964	Czirr	43/17.2
3,178,846	A *	4/1965	Hansen	43/17.2
3,324,591	A *	6/1967	Bergstein	47/78
3,570,163	A *	3/1971	Conder	43/17.2
3,633,251	A *	1/1972	Gass	24/716

3,762,091	A *	10/1973	Buczynski	43/17.2
3,830,005	A *	8/1974	Kimbrough	43/17.2
3,861,071	A *	1/1975	Nordhagen	43/17.2
D247,301	S *	2/1978	Ostoski	D22/149
4,086,718	A *	5/1978	Swanson et al.	43/17.2
D274,547	S *	7/1984	Godlewski	D22/134
D279,713	S *	7/1985	Gregory et al.	D22/126
4,536,984	A *	8/1985	Kowal	43/17.2
4,619,065	A *	10/1986	Jones	43/11
D296,125	S *	6/1988	Hain	D22/134
5,060,995	A *	10/1991	Goldstein et al.	294/19.1
5,209,006	A *	5/1993	Wilhelmer	43/17.2
D424,905	S *	5/2000	Sankuer	D8/88
6,694,664	B1 *	2/2004	Knight	43/17.2
D536,763	S *	2/2007	Friedrichs	D22/134
D594,296	S *	6/2009	Slingerland	D8/14
D603,931	S *	11/2009	Lorentz	D22/149
2009/0044400	A1 *	2/2009	Kokoski et al.	29/728

* cited by examiner

Primary Examiner — Adir Aronovich

Assistant Examiner — Roselynn Cody

(74) *Attorney, Agent, or Firm* — H. Roy Berkenstock; Wyatt, Tarrant & Combs, LLP

(57) **CLAIM**

I claim the ornamental design for a hook retriever device, as shown and described.

DESCRIPTION

FIG. 1 is perspective view of a hook retriever device showing my new design;

FIG. 2 is a top view thereof;

FIG. 3 is a bottom view thereof;

FIG. 4 is a front view thereof;

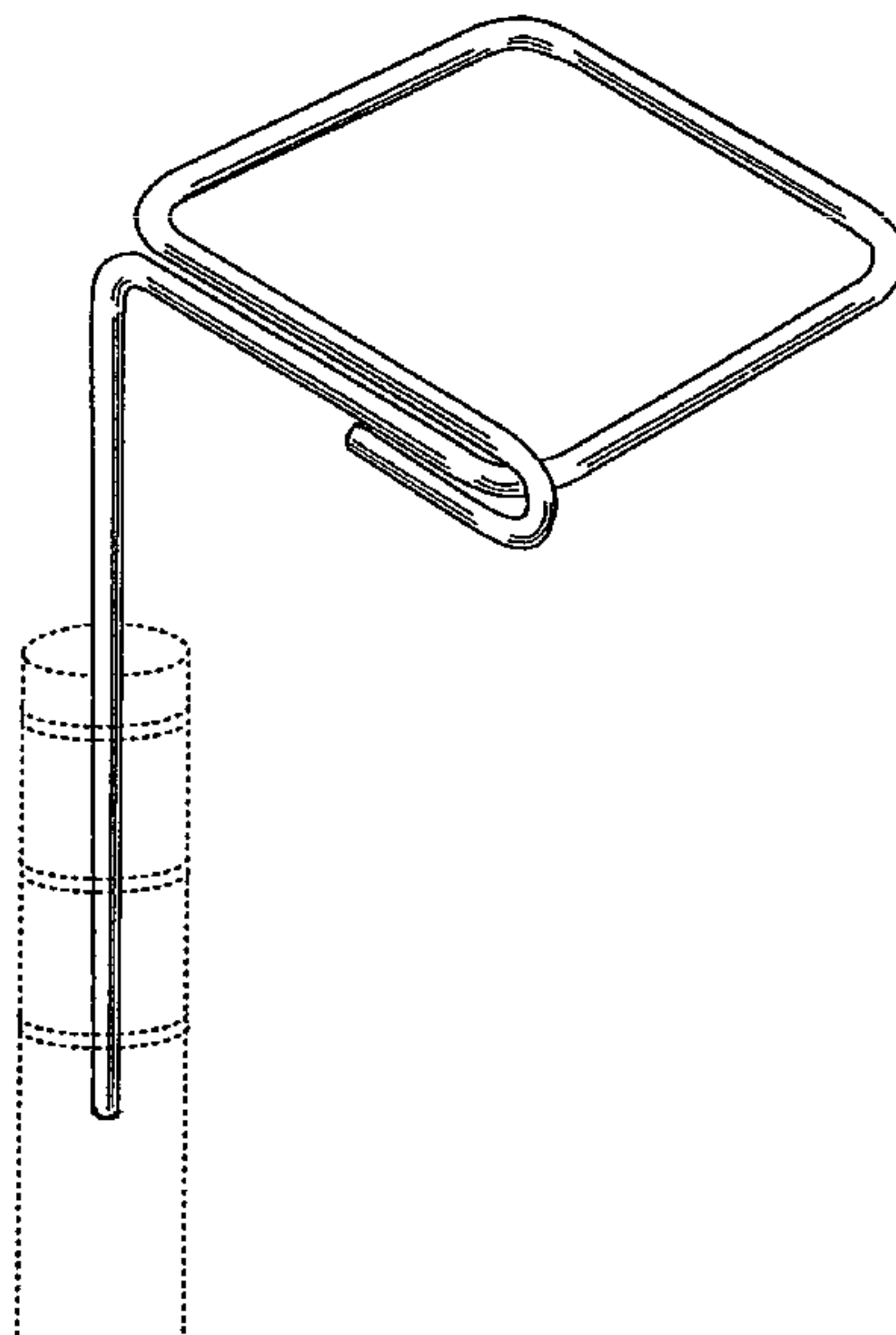
FIG. 5 is a back view thereof;

FIG. 6 is a right side view thereof; and,

FIG. 7 is a left side view thereof.

The broken lines in FIG. 1 illustrate environment only and form no part of the claimed design.

1 Claim, 3 Drawing Sheets



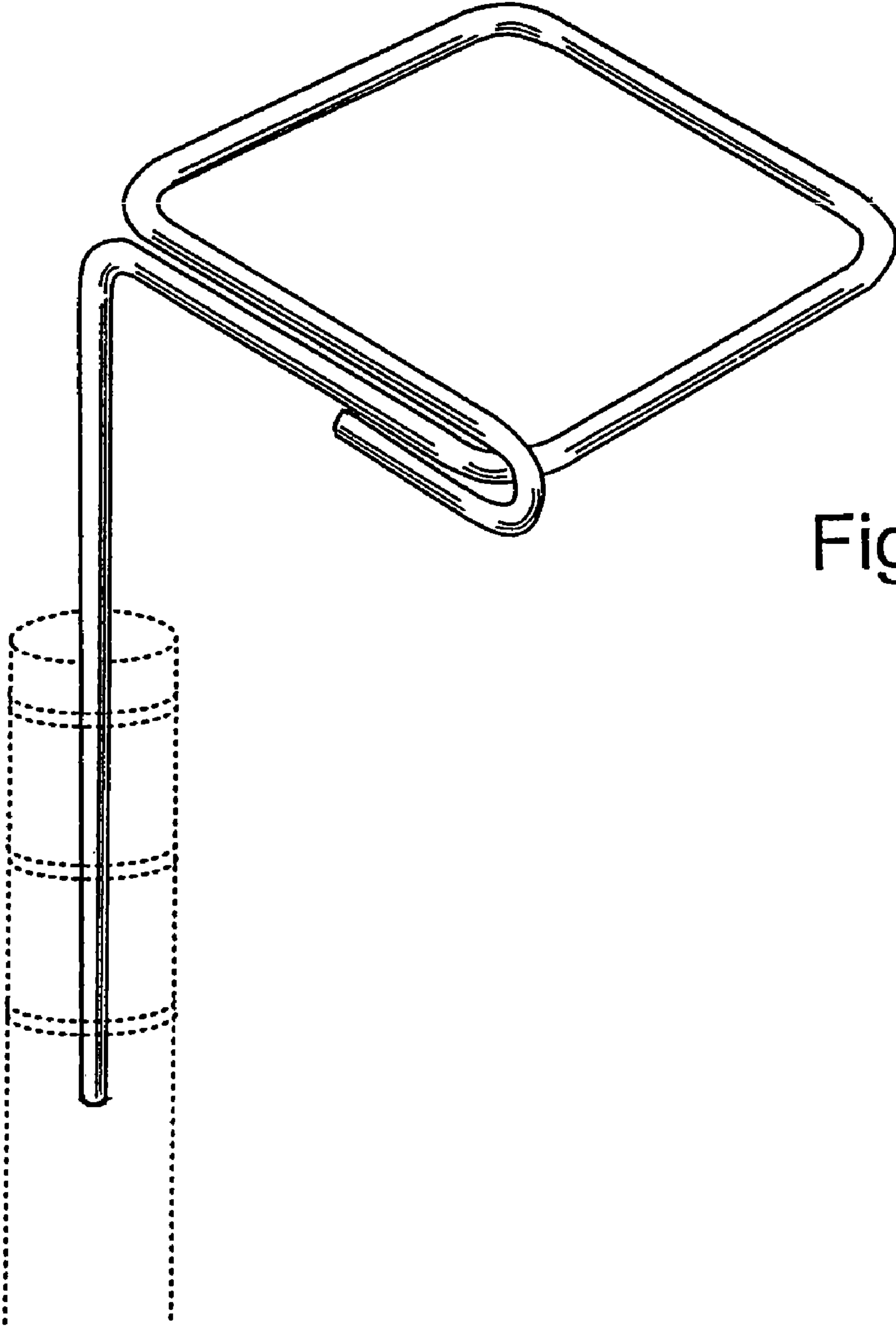


Fig. 1

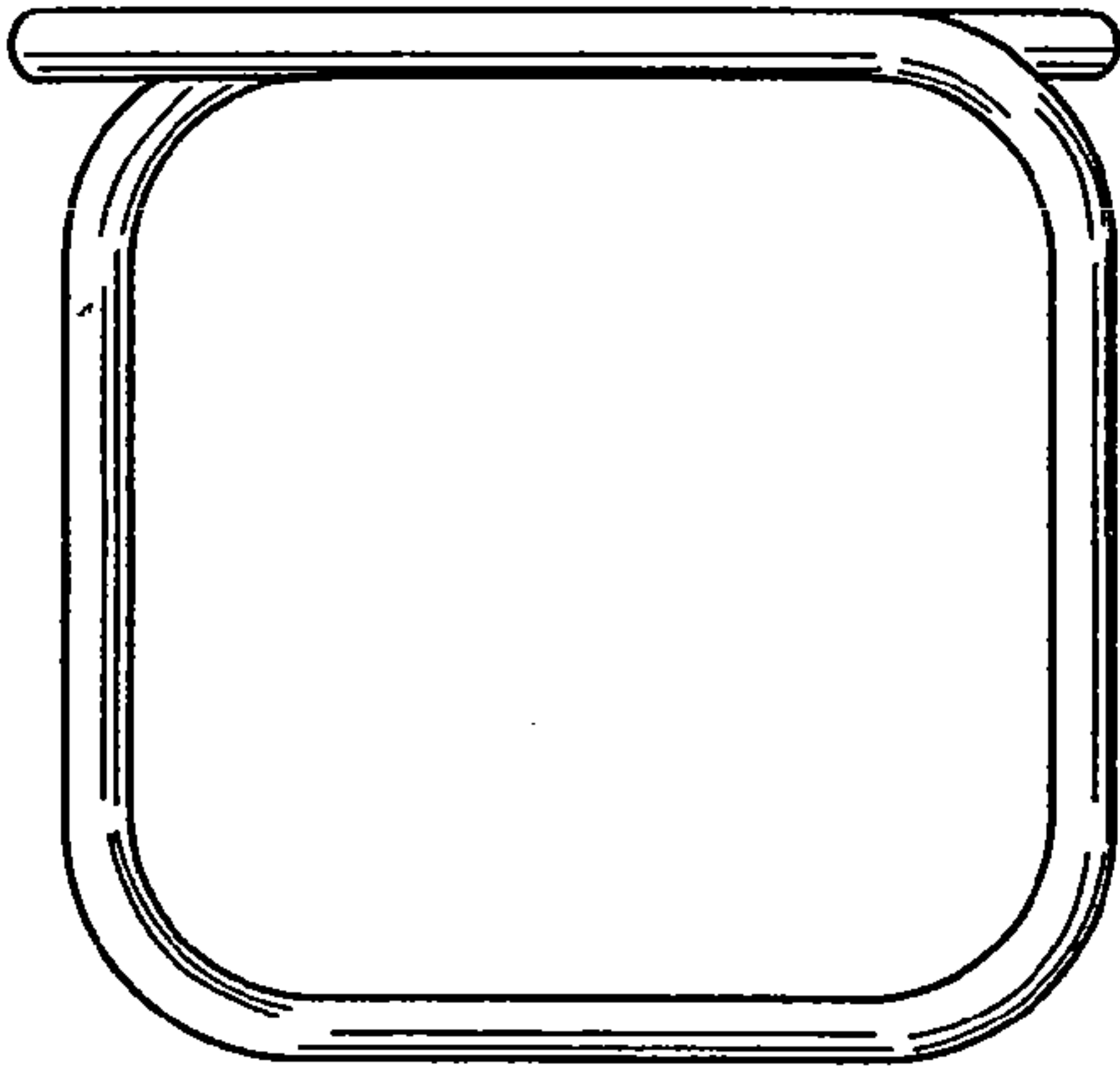


Fig. 2

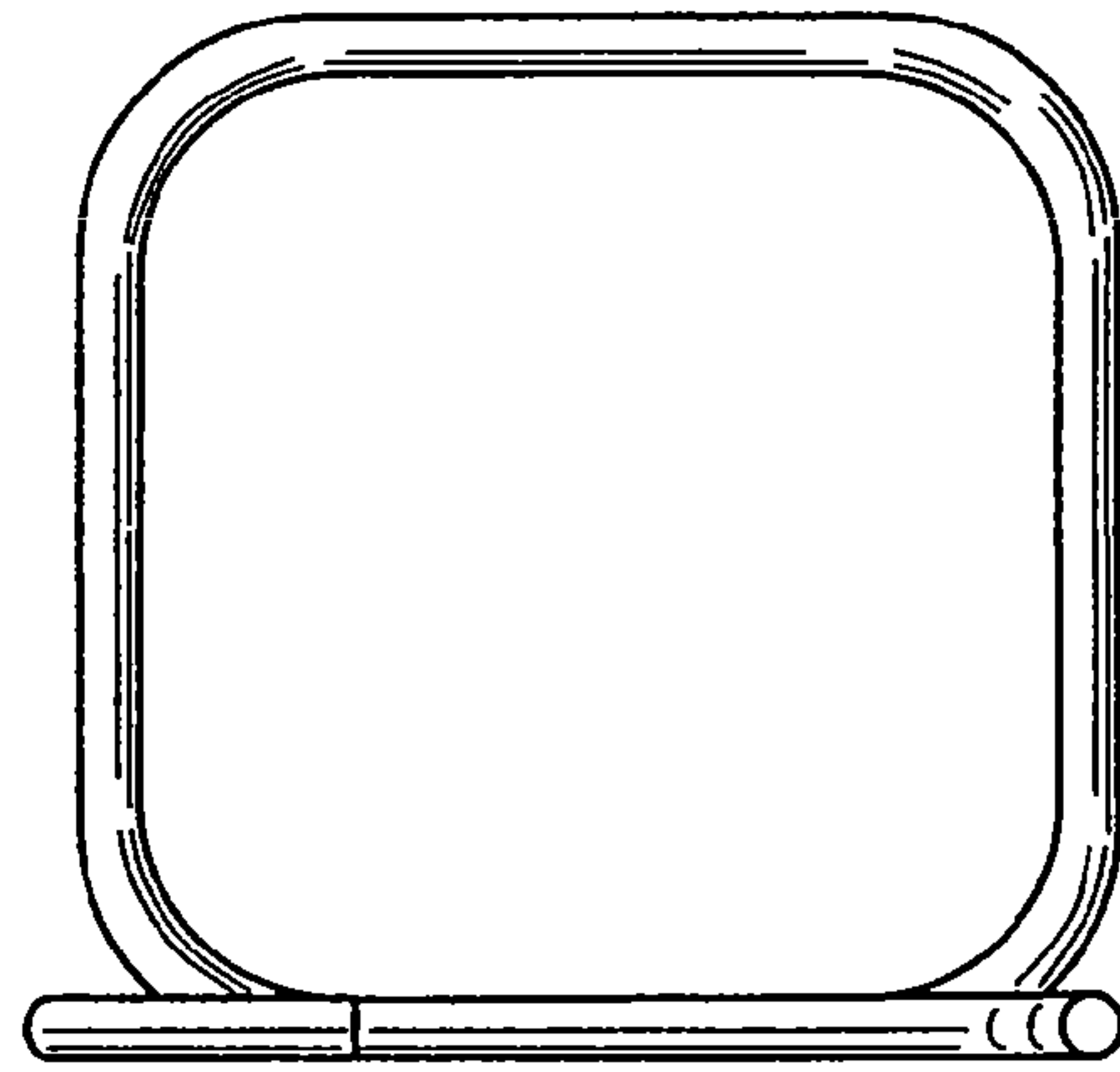


Fig. 3

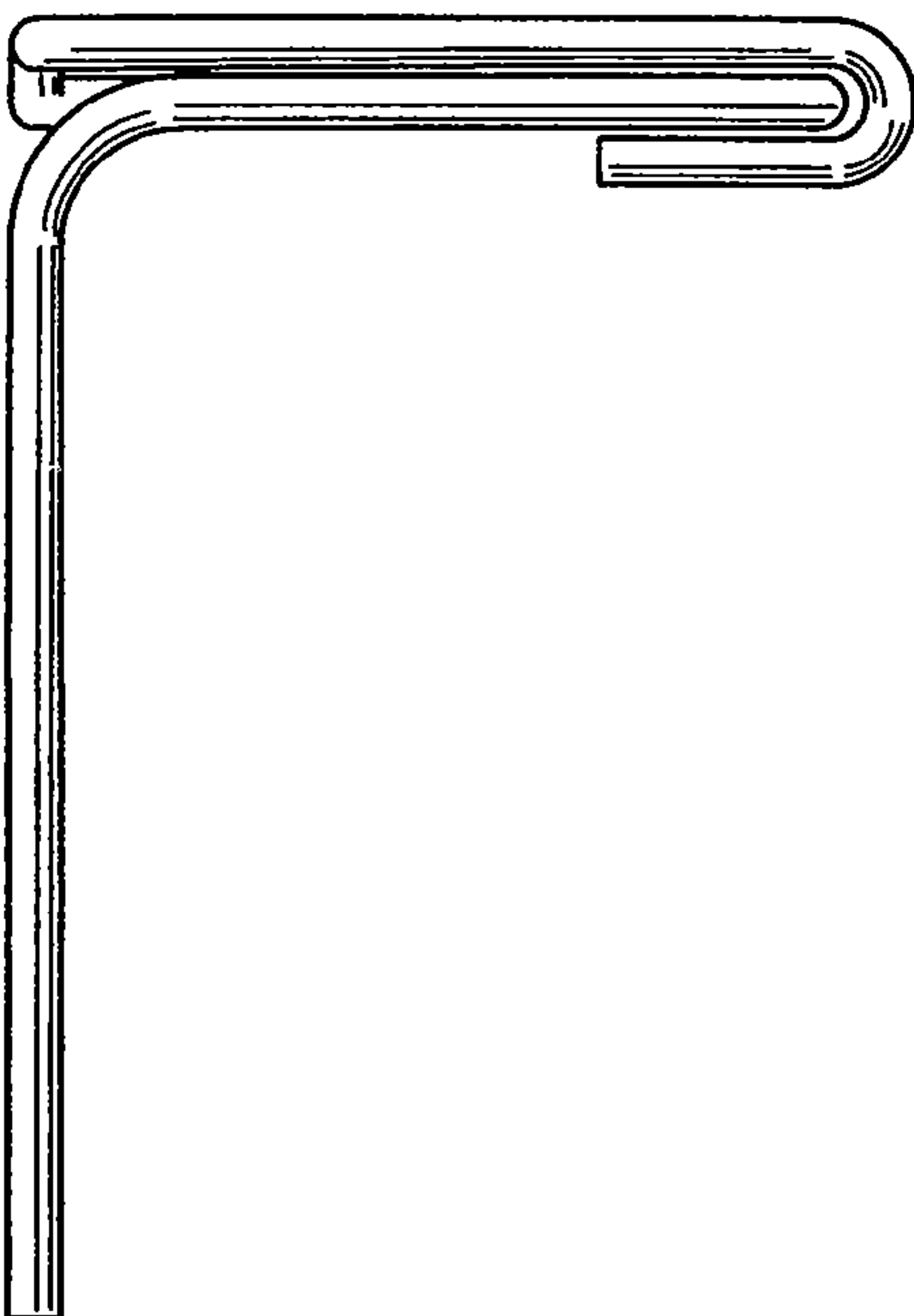


Fig. 4

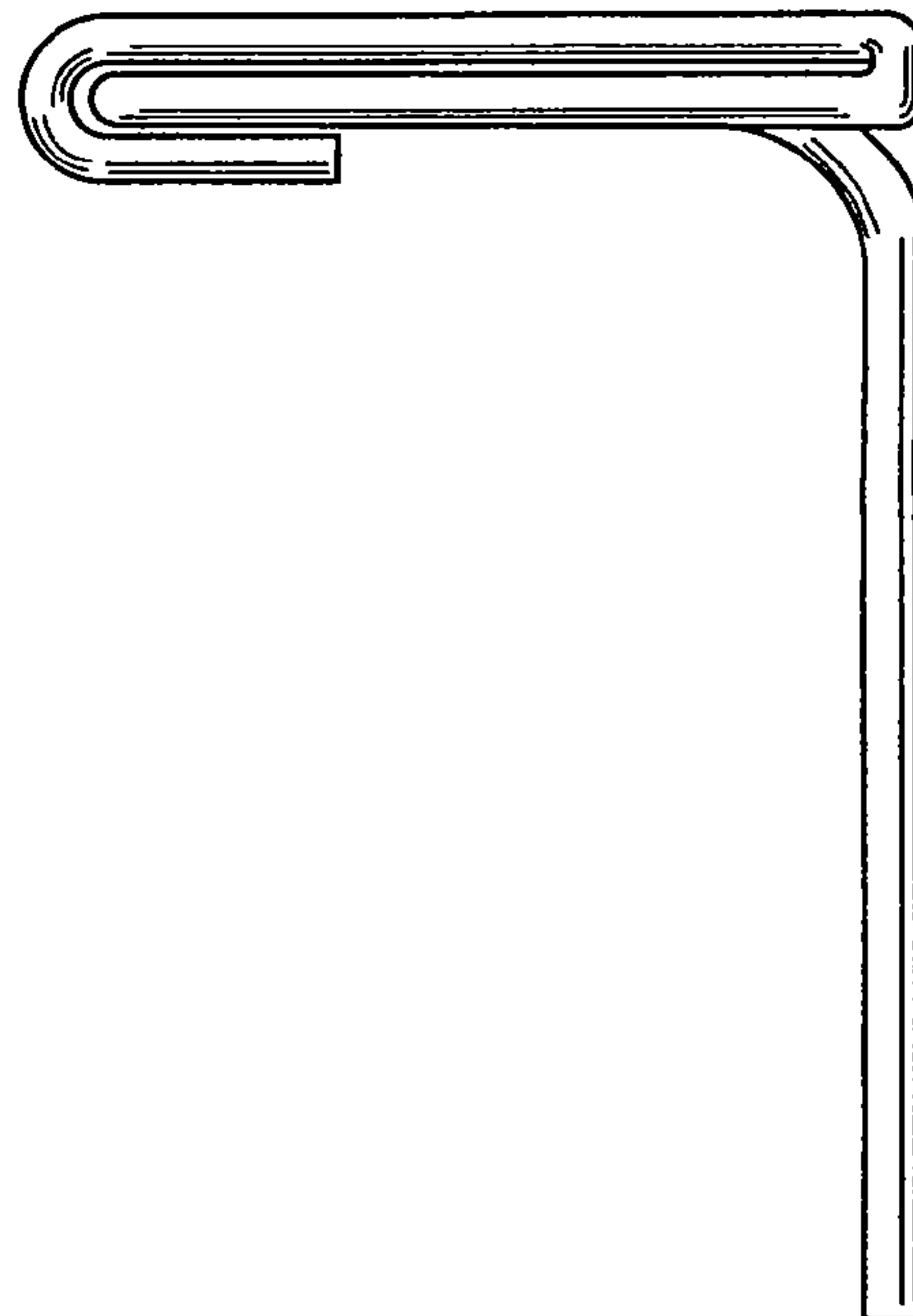


Fig. 5

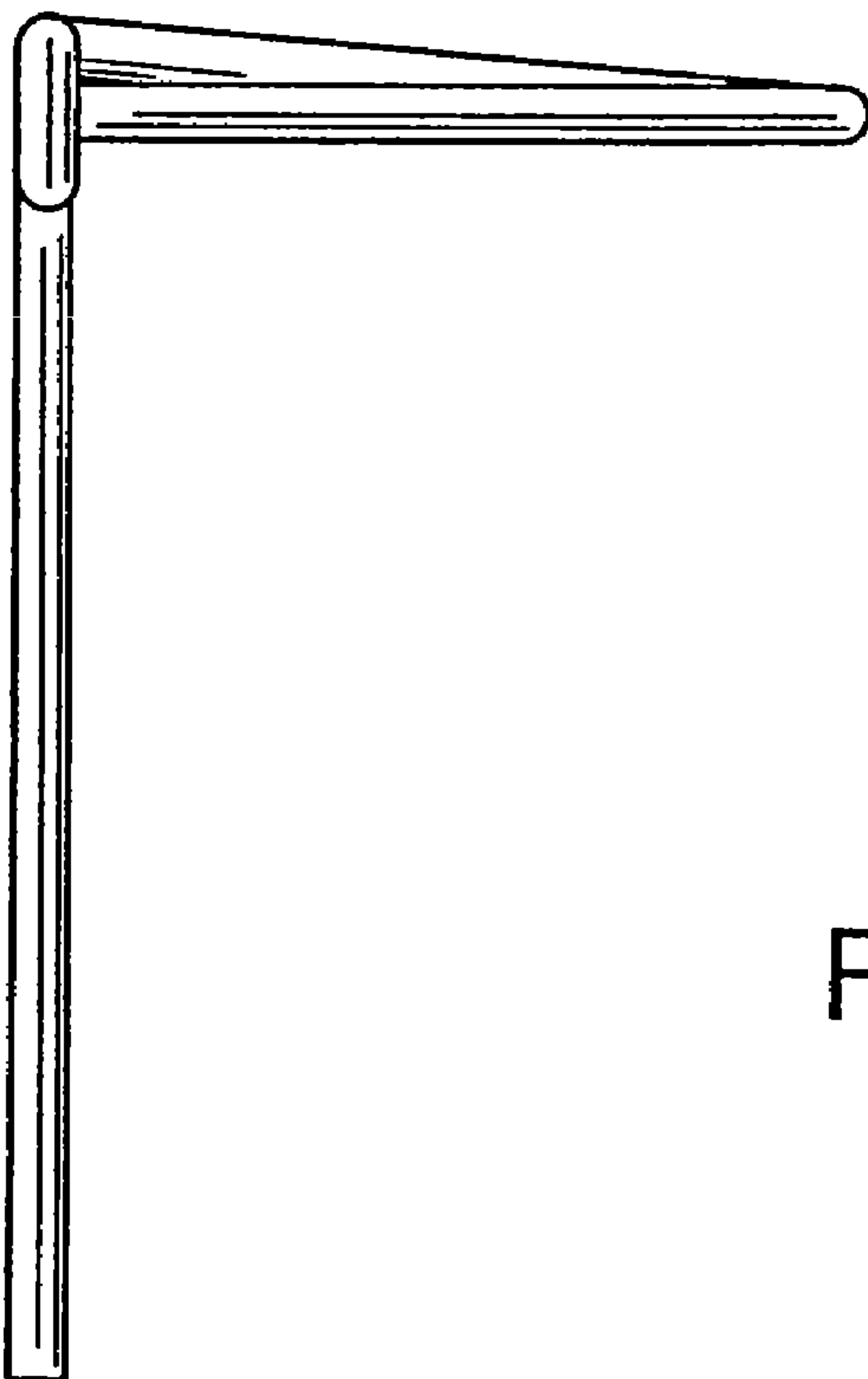


Fig. 6

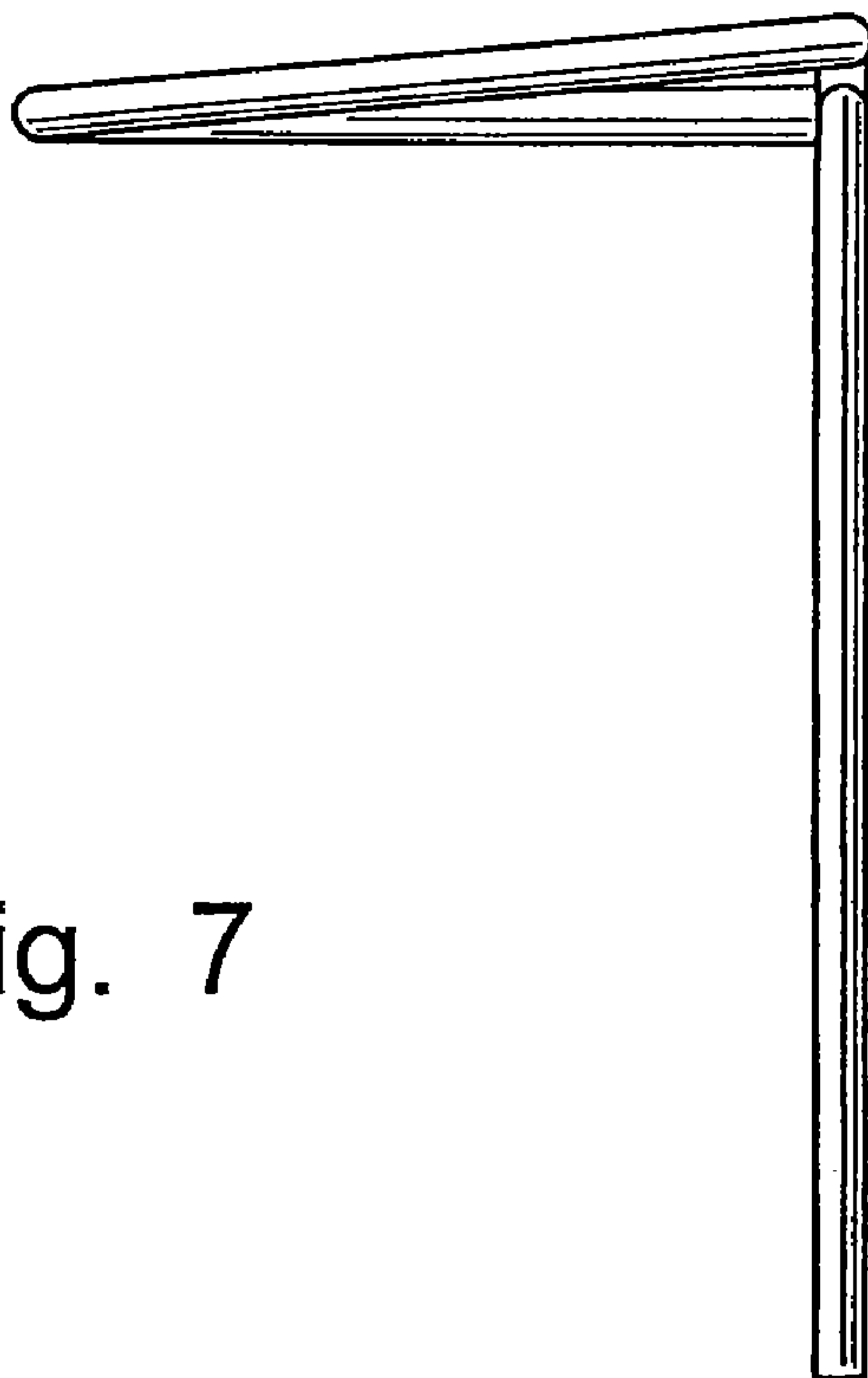


Fig. 7

UNITED STATES PATENT AND TRADEMARK OFFICE
CERTIFICATE OF CORRECTION

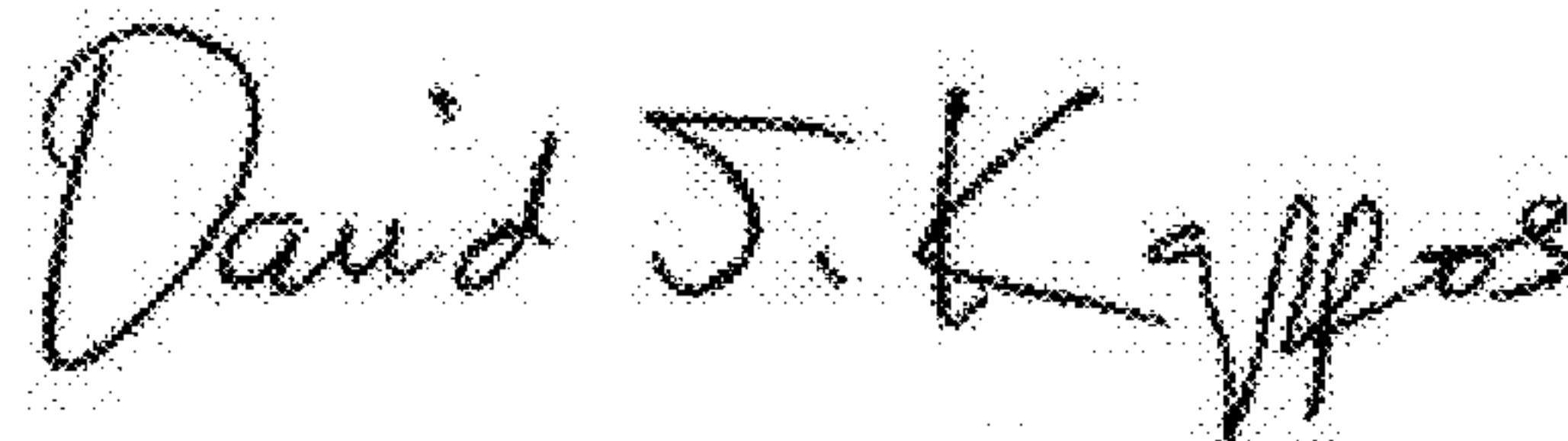
PATENT NO. : D633,980 S
APPLICATION NO. : 29/327672
DATED : March 8, 2011
INVENTOR(S) : Rv Patterson

Page 1 of 1

It is certified that error appears in the above-identified patent and that said Letters Patent is hereby corrected as shown below:

On the Title Page Item (76) the inventor's name should read - Rv Patterson.

Signed and Sealed this
Nineteenth Day of April, 2011

A handwritten signature in black ink that reads "David J. Kappos". The signature is written in a cursive style with a large initial "D" and "K".

David J. Kappos
Director of the United States Patent and Trademark Office