



US00D633978S

(12) **United States Design Patent**
Vande Noord

(10) **Patent No.:** **US D633,978 S**
(45) **Date of Patent:** **** Mar. 8, 2011**

(54) **HANDGUN STORAGE HANGER**

D471,250 S * 3/2003 Smith D22/147

(76) Inventor: **Michael P. Vande Noord**, Pella, IA (US)

* cited by examiner

(**) Term: **14 Years**

Primary Examiner—T. Chase Nelson
Assistant Examiner—Michael A Pratt
(74) *Attorney, Agent, or Firm*—McKee, Voorhees & Sease, P.L.C.

(21) Appl. No.: **29/356,137**

(22) Filed: **Feb. 19, 2010**

(57) **CLAIM**

(51) **LOC (9) Cl.** **22-01**

I claim the ornamental design for a handgun storage hanger, substantially as shown and described.

(52) **U.S. Cl.** **D22/108; D22/199**

(58) **Field of Classification Search** D22/100,
D22/108, 199; D8/1, 380, 381; D6/329,
D6/396, 417, 552, 553, 567; 42/94; 89/37.04;
211/64, 13.1, 49.1, 60.1, 70.5, 86.01, 87.01,
211/88.01, 89.01, 181.1, 560; 248/156.53,
248/121, 175, 200, 302, 304, 309.1, 310,
248/312; D21/385, 662, 698

DESCRIPTION

See application file for complete search history.

FIG. 1 is a front perspective view of a handgun storage hanger showing my new design.

FIG. 2 is a top plan view thereof.

FIG. 3 is a bottom plan view thereof.

FIG. 4 is a front elevation view thereof.

FIG. 5 is a rear elevation view thereof.

FIG. 6 is a left side elevation view thereof; and,

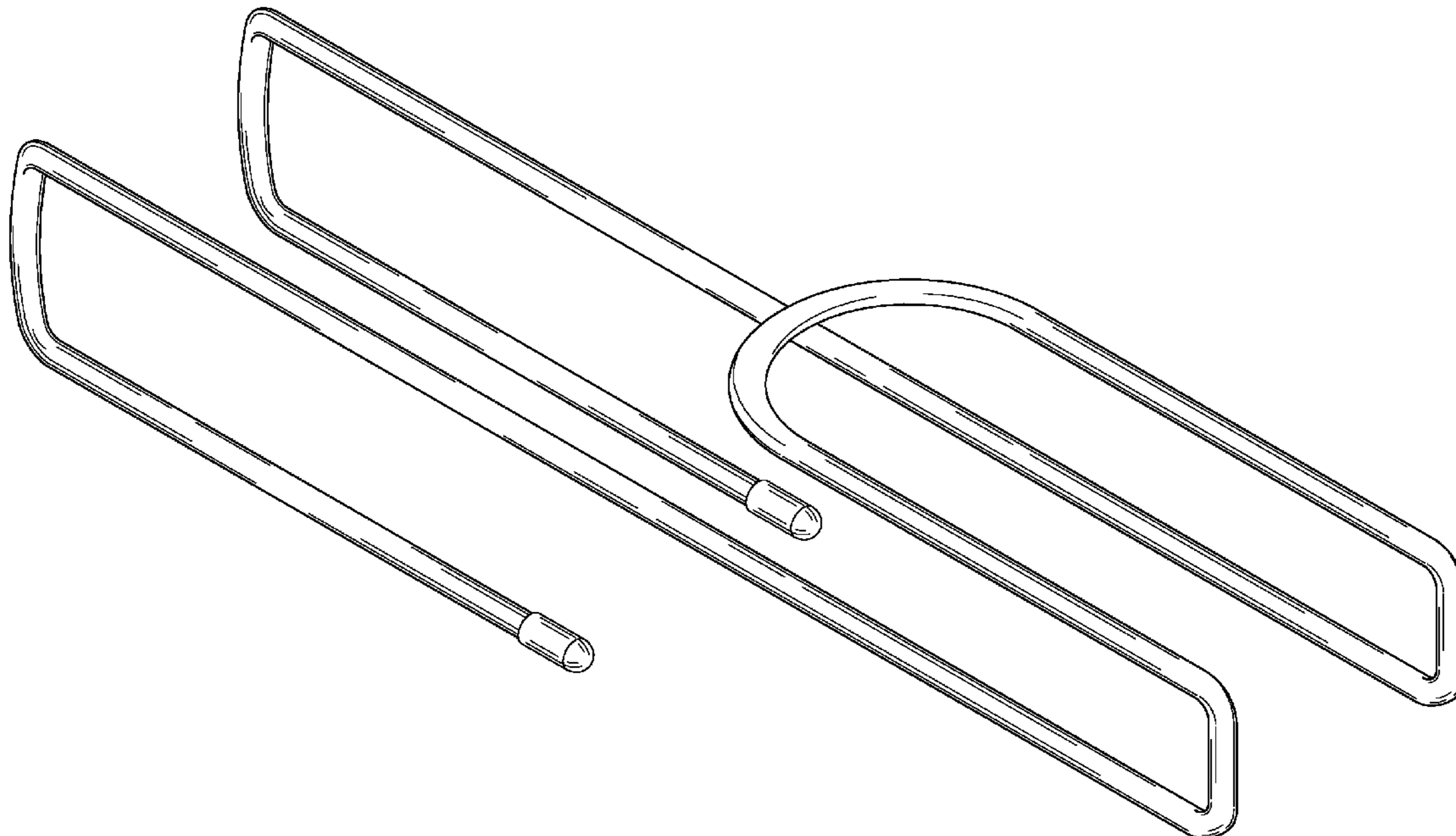
FIG. 7 is a right side elevation view thereof.

(56) **References Cited**

U.S. PATENT DOCUMENTS

945,520 A * 1/1910 Greenwood 248/175
4,209,157 A * 6/1980 Edmisten 248/691
D461,987 S * 8/2002 Smith D6/566

1 Claim, 4 Drawing Sheets



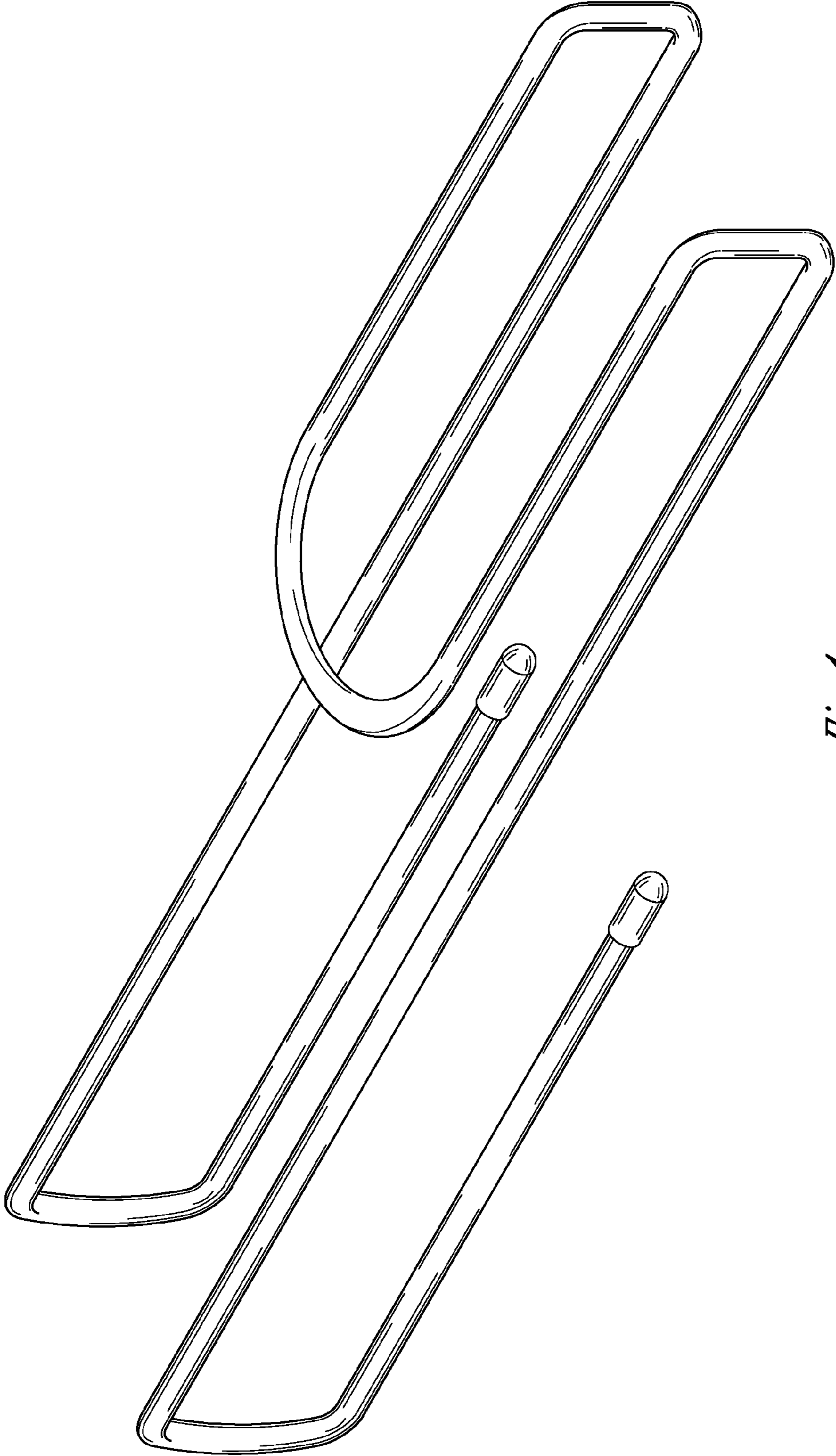


Fig. 1

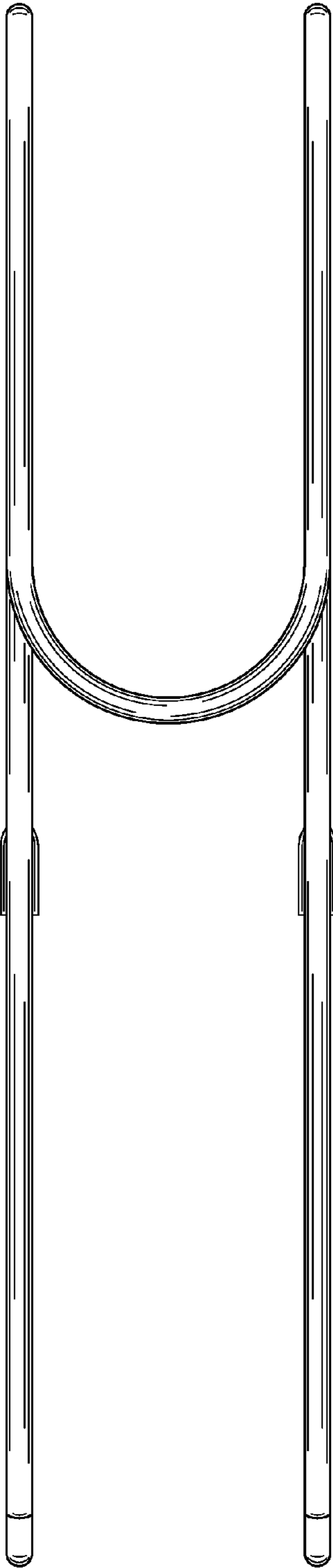


Fig. 2

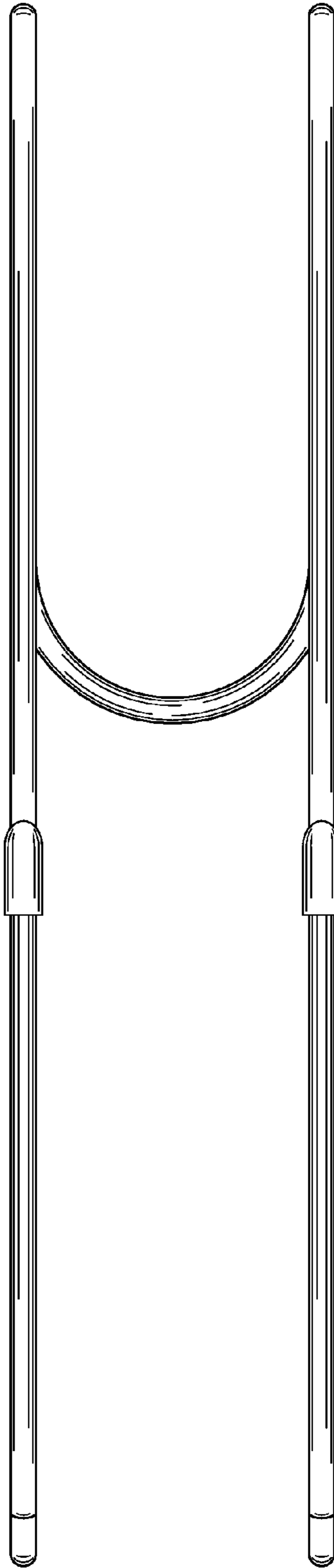


Fig. 3

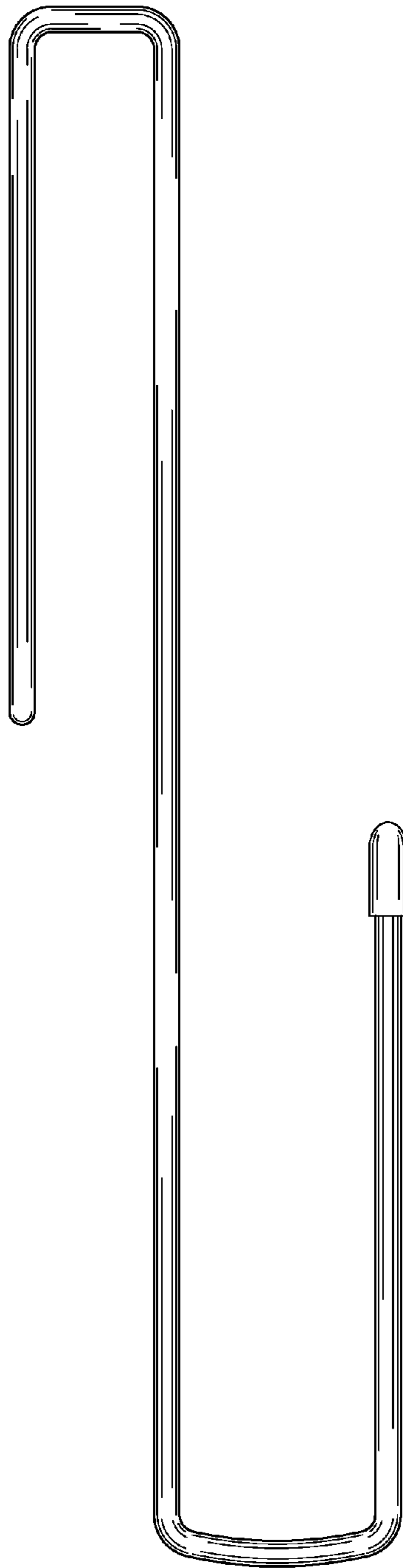


Fig. 4

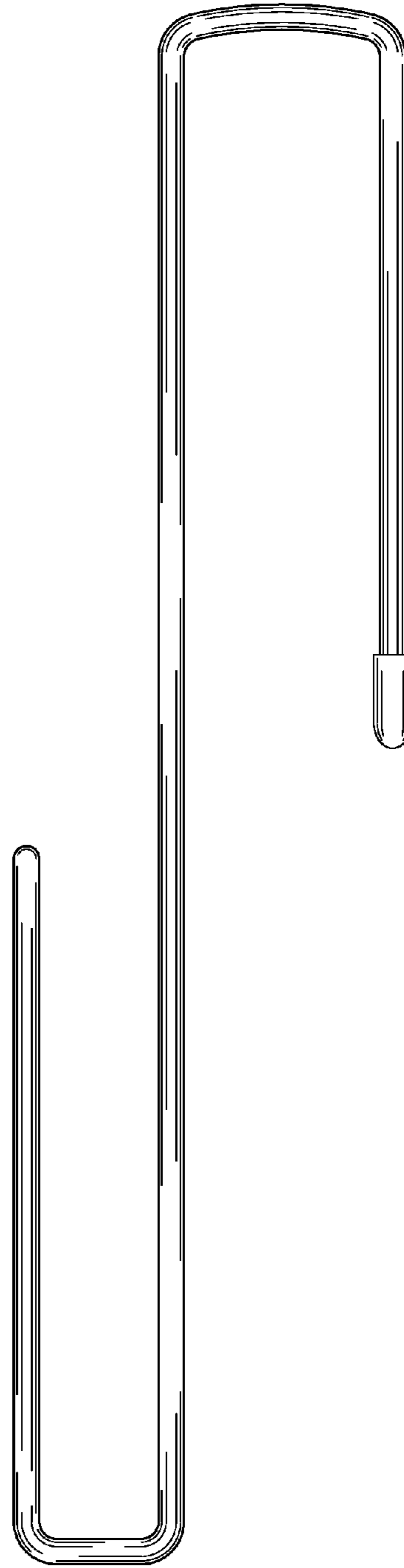


Fig. 5

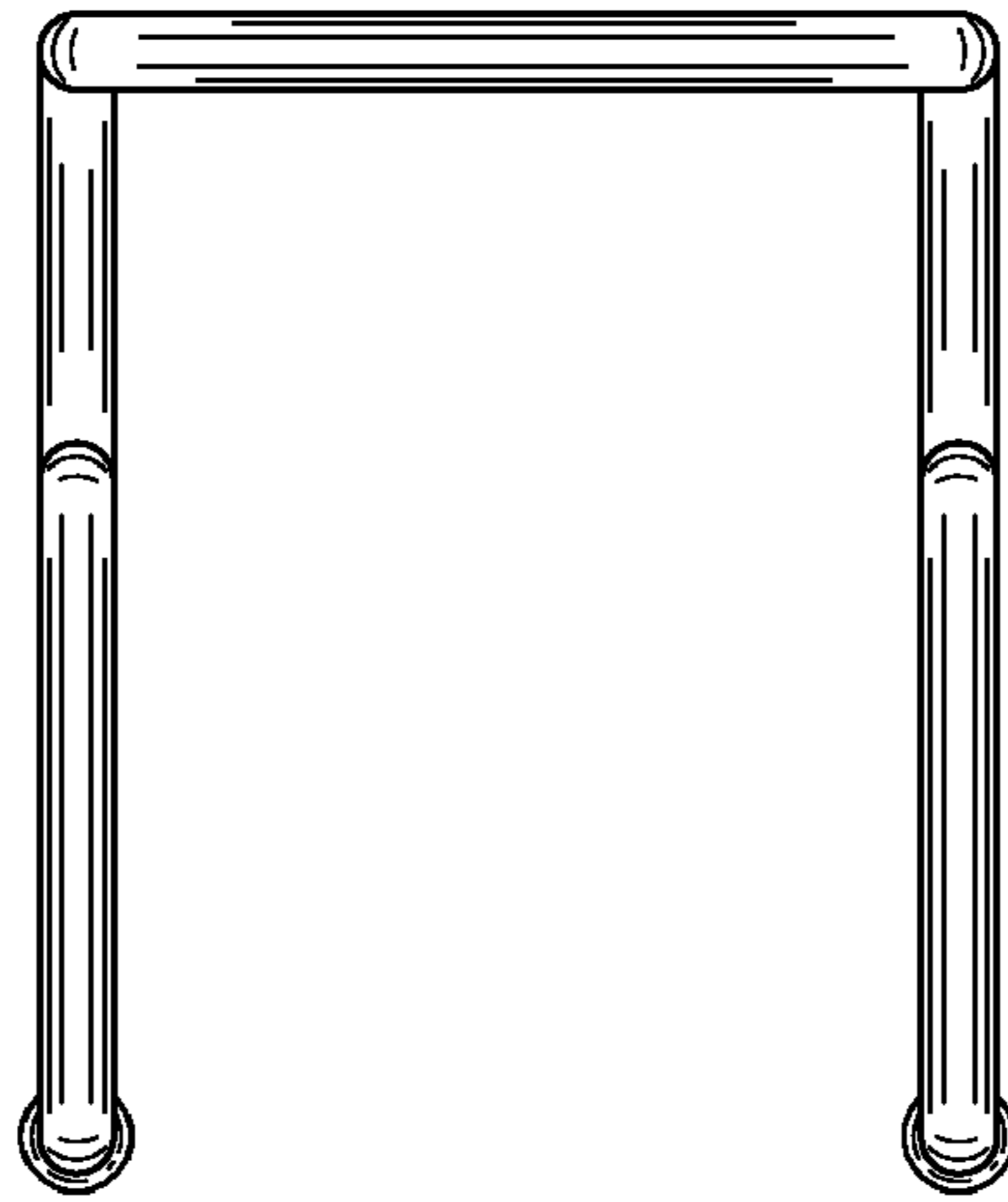


Fig. 6

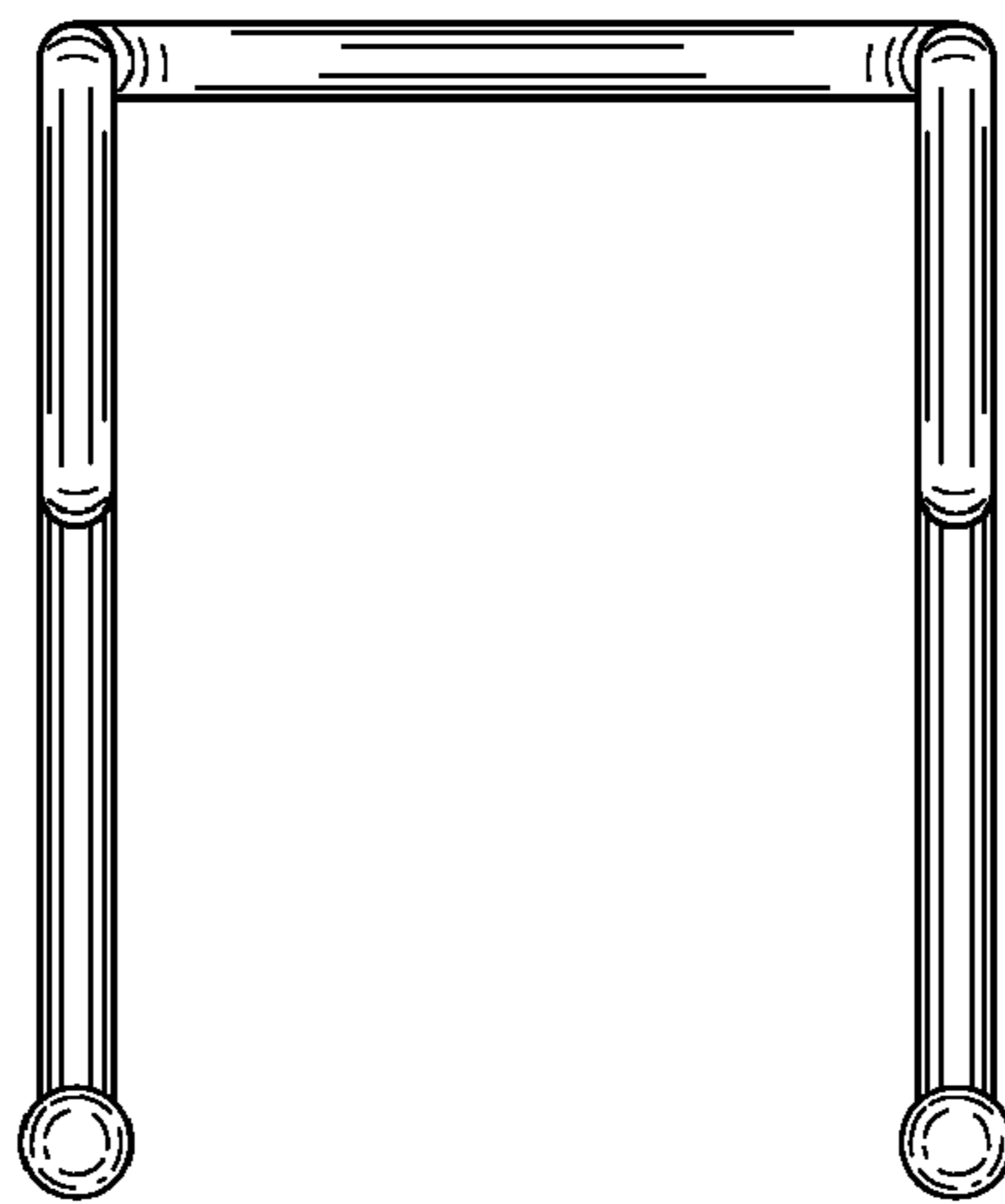


Fig. 7