

US00D633977S

(12) **United States Design Patent**
Murello et al.

(10) **Patent No.:** **US D633,977 S**
(45) **Date of Patent:** **** Mar. 8, 2011**

(54) **FIREARM WITH GRENADE LAUNCHER
AND BUTT STOCK**

(75) Inventors: **Johannes Murello**, Deißlingen (DE);
Wilhelm Fischbach, Deißlingen-Laufen
(DE); **Thomas Schweikart**, Vöhringen
(DE); **Alexander Stumpp**, Bitz (DE)

(73) Assignee: **Heckler & Koch, GmbH**,
Oberndorf/Neckar (DE)

(**) Term: **14 Years**

(21) Appl. No.: **29/233,421**

(22) Filed: **Jun. 30, 2005**

Related U.S. Application Data

(62) Division of application No. 29/206,651, filed on Jun. 2,
2004, now Pat. No. Des. 517,637.

(51) **LOC (9) Cl.** **22-01**

(52) **U.S. Cl.** **D22/103**

(58) **Field of Classification Search** D22/100,
D22/101, 103, 104, 108, 199; D21/572,
D21/573; 42/51, 71.01, 75.01, 75.02, 90;
362/110; 33/241; 313/105 R; 89/40.06,
89/37.04, 33.04; 124/67, 66, 74

See application file for complete search history.

(56) **References Cited**

U.S. PATENT DOCUMENTS

897,813	A	9/1908	Bennett	
2,141,837	A	12/1938	Farnsworth	
3,235,997	A	2/1966	Stoner	
3,507,067	A *	4/1970	Into	42/70.01
3,938,273	A	2/1976	Tellie	
3,999,461	A	12/1976	Johnson et al.	
D251,979	S *	5/1979	Hance	D22/103
4,311,082	A	1/1982	Johnson et al.	
4,351,224	A	9/1982	Curtis	
4,587,879	A	5/1986	Savioli	

4,625,706	A	12/1986	Turner, Jr.	
4,676,137	A	6/1987	Stockton et al.	
D295,058	S	4/1988	Turner, Jr.	
4,769,938	A	9/1988	Chestnut et al.	
D303,418	S	9/1989	Miller et al.	
D304,062	S *	10/1989	Barrett	D22/103
4,882,973	A *	11/1989	Piscetta	89/1.41
4,942,802	A	7/1990	Stoner	
5,198,600	A	3/1993	E'Nama	
D344,311	S *	2/1994	Liu	D21/572
5,305,539	A	4/1994	Von Kuster	
D359,529	S	6/1995	Nguyen	
D369,639	S	5/1996	Predazzer	

(Continued)

FOREIGN PATENT DOCUMENTS

WO WO 00/75596 12/2000

OTHER PUBLICATIONS

United States Patent and Trademark Office, "Notice of Allowance,"
issued in connection with U.S. Appl. No. 29/206,671, mailed Mar. 22,
2005, 8 pages.

(Continued)

Primary Examiner — Cathron C. Brooks

Assistant Examiner — Melanie Levy

(74) *Attorney, Agent, or Firm* — Hanley, Flight &
Zimmerman, LLC

(57) **CLAIM**

The ornamental design for a firearm with grenade launcher
and butt stock, as shown and described.

DESCRIPTION

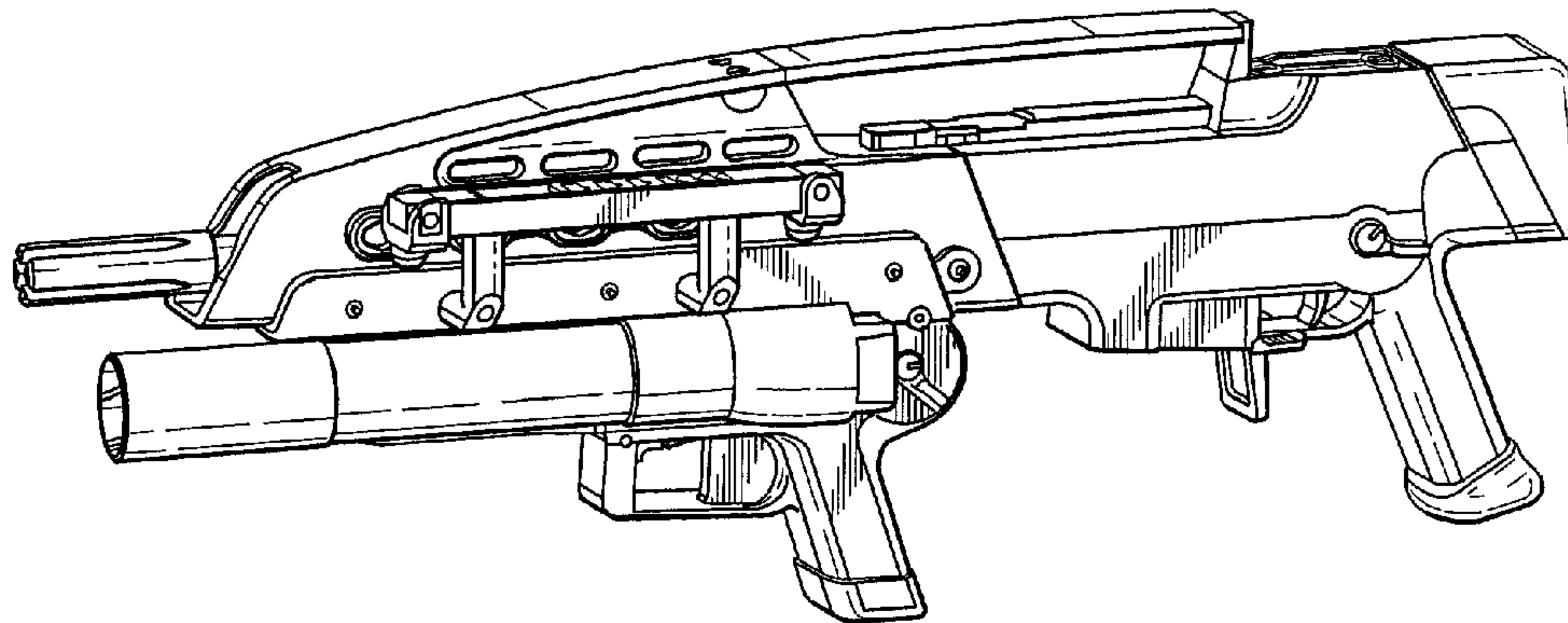
FIG. 1 is a left side perspective view of a firearm with grenade
launcher and butt stock showing our new design.

FIG. 2 is a right side view of the firearm of FIG. 1.

FIG. 3 is a left side view of the firearm of FIG. 1; and,

FIG. 4 is a top view of the firearm of FIG. 1.

1 Claim, 3 Drawing Sheets



U.S. PATENT DOCUMENTS

D372,067	S	7/1996	Predazzer	
D385,008	S	10/1997	Lamont	
5,900,577	A	5/1999	Robinson et al.	
5,930,935	A	8/1999	Griffin	
D418,896	S	1/2000	Shiple et al.	
D429,308	S	8/2000	Guhring	
6,250,294	B1	6/2001	Lim	
6,481,145	B2 *	11/2002	Weichert et al.	42/75.02
6,609,321	B2	8/2003	Faifer	
6,651,371	B2	11/2003	Fitzpatrick	
6,752,137	B2	6/2004	Brunette et al.	
6,785,997	B2	9/2004	Oz	
D510,401	S	10/2005	Murello et al.	
D512,117	S	11/2005	Murello et al.	
D516,660	S	3/2006	Murello et al.	
D517,152	S	3/2006	Murello et al.	
D517,637	S	3/2006	Murello et al.	
D542,877	S	5/2007	Murello et al.	
2001/0042334	A1	11/2001	Weichert et al.	
2004/0244258	A1 *	12/2004	O'Dwyer et al.	42/77

OTHER PUBLICATIONS

United States Patent and Trademark Office, "Notice of Allowance," issued in connection with U.S. Appl. No. 29/206,670, mailed Apr. 6, 2005, 11 pages.

United States Patent and Trademark Office, "Supplemental Notice of Allowance," issued in connection with U.S. Appl. No. 29/206,671, mailed Apr. 13, 2005, 6 pages.

United States Patent and Trademark Office, "Notice of Allowance," issued in connection with U.S. Appl. No. 29/206,651, mailed Apr. 14, 2005, 12 pages.

United States Patent and Trademark Office, "Notice of Allowance," issued in connection with U.S. Appl. No. 29/206,679, mailed Apr. 20, 2005, 11 pages.

United States Patent and Trademark Office, "Notice of Allowance," issued in connection with U.S. Appl. No. 29/233,289, mailed Aug. 5, 2005, 10 pages.

United States Patent and Trademark Office, "Notice of Allowance," issued in connection with U.S. Appl. No. 29/230,459, mailed Apr. 4, 2006, 12 pages.

United States Patent and Trademark Office, "Supplemental Notice of Allowance," issued in connection with U.S. Appl. No. 29/230,459, mailed Mar. 21, 2007, 3 pages.

United States Patent and Trademark Office, "Notice of Allowance," issued in connection with U.S. Appl. No. 29/233,439, mailed Sep. 27, 2010, 13 pages.

* cited by examiner

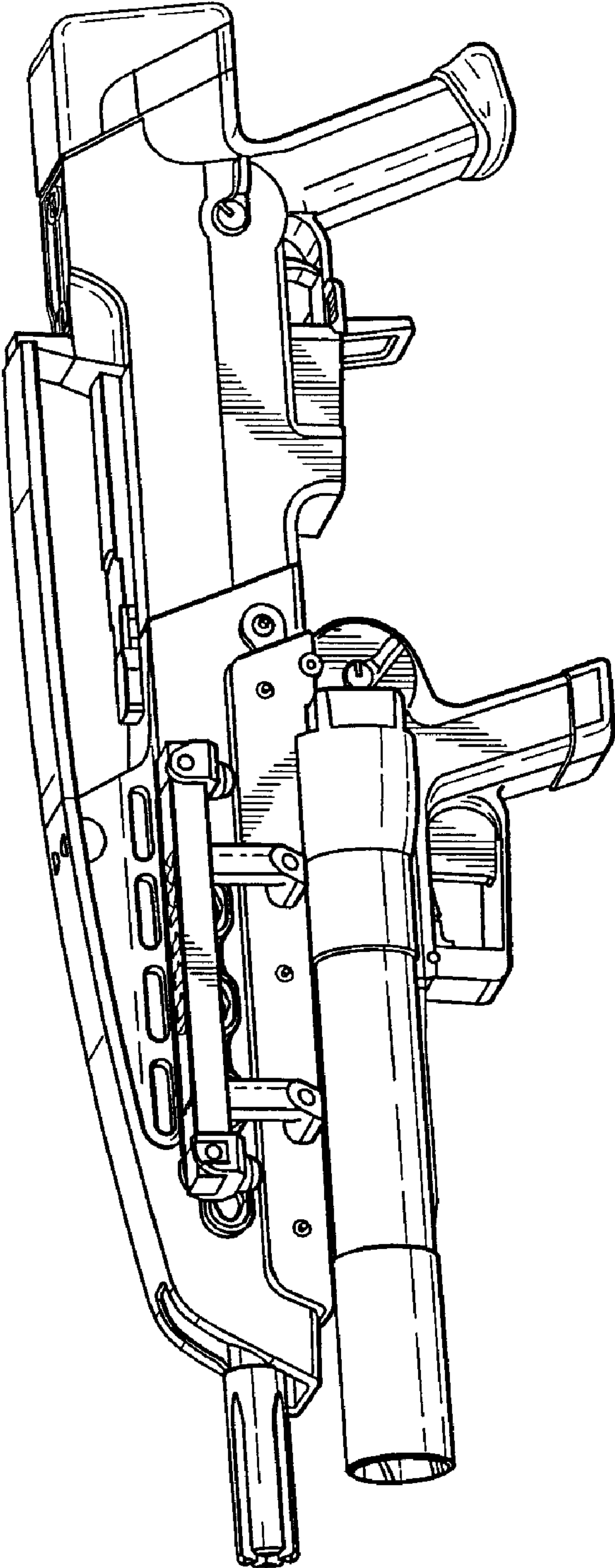


Fig. 1

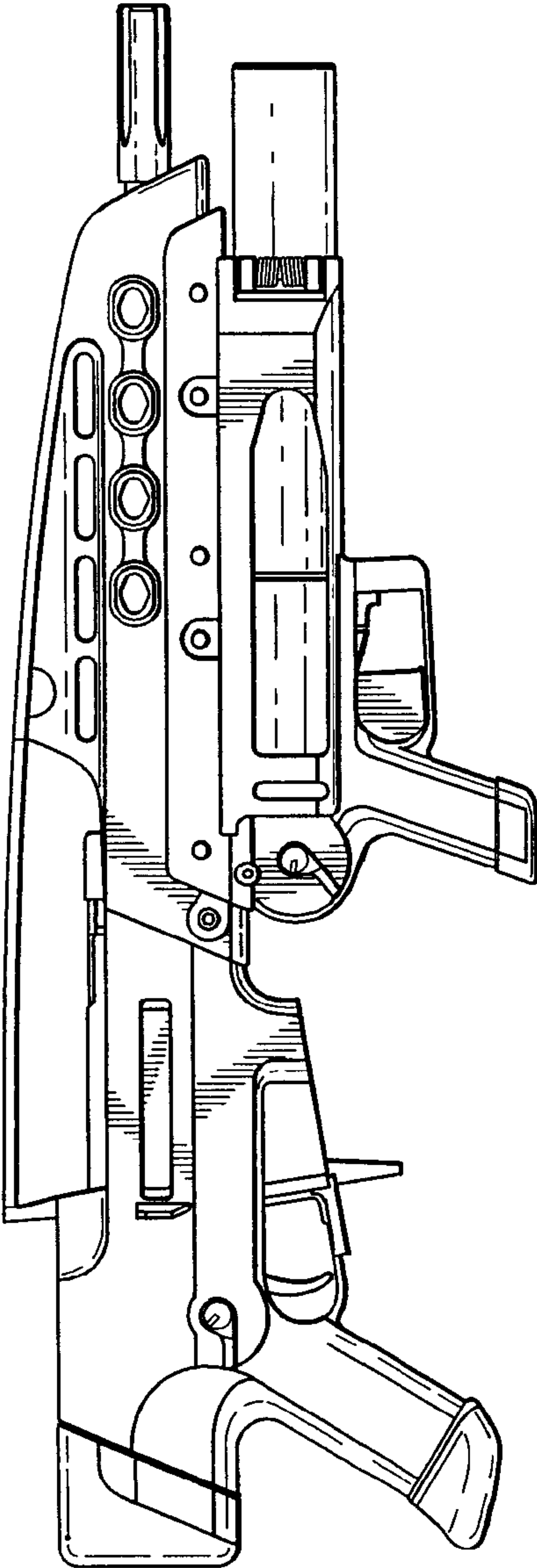


Fig. 2

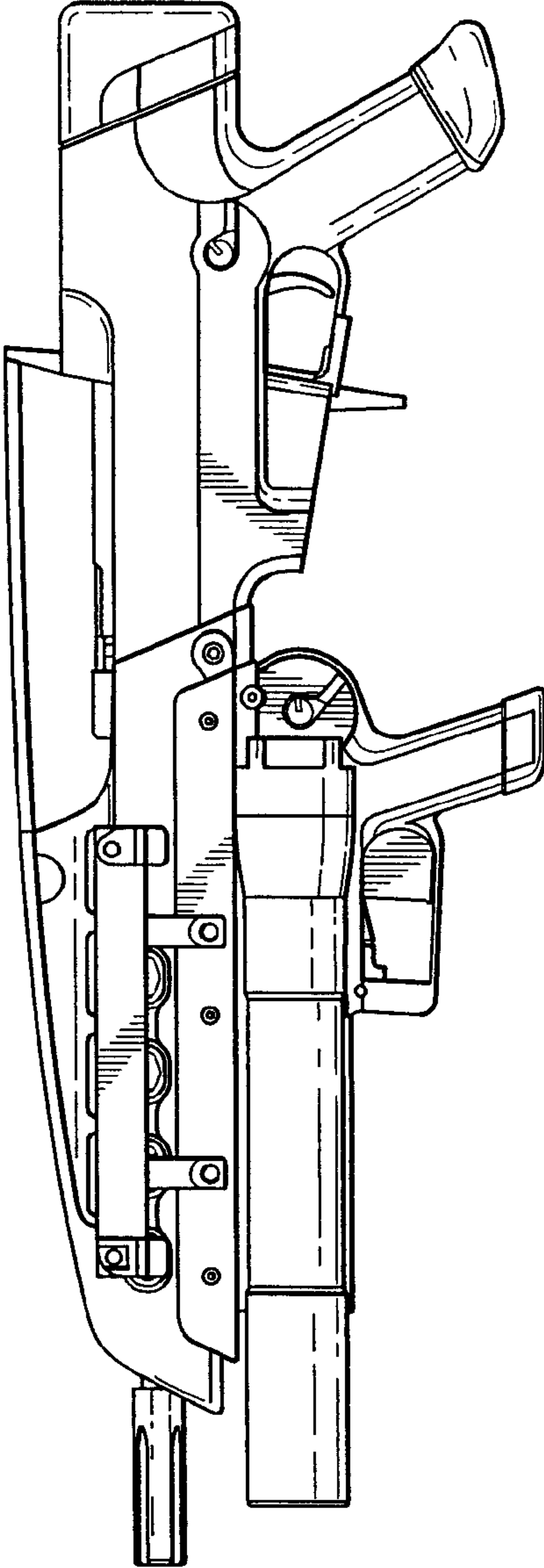


Fig. 3

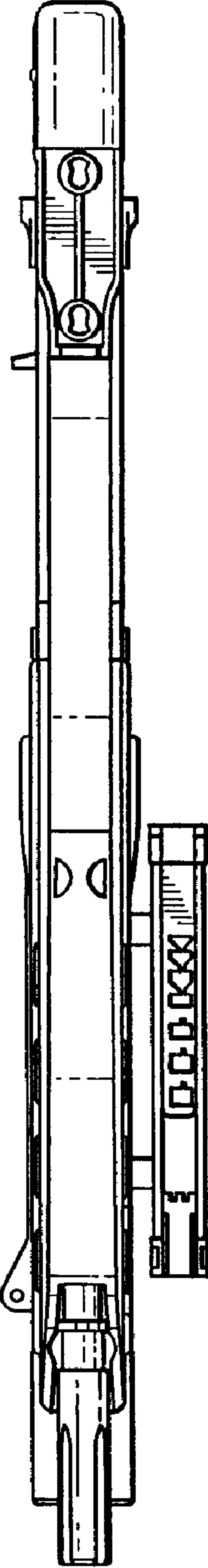


Fig. 4