



US00D633975S

(12) **United States Design Patent**
Milne

(10) **Patent No.:** **US D633,975 S**
(45) **Date of Patent:** **** Mar. 8, 2011**

(54) **PLATFORM FOR AQUATIC TRAINING AND THERAPY**

D536,549 S * 2/2007 McCurry D6/381
D551,874 S * 10/2007 Pappas D6/381

(76) Inventor: **Jay Milne**, Fountain Hills, AZ (US)

* cited by examiner

(**) Term: **14 Years**

Primary Examiner—Janice E Seeger

Assistant Examiner—Zenia I Bennett

(21) Appl. No.: **29/348,239**

(74) *Attorney, Agent, or Firm*—Gregory J. Nelson

(22) Filed: **Dec. 10, 2009**

(57) **CLAIM**

(51) **LOC (9) Cl.** **21-02**

I claim the ornamental design for a platform for aquatic training and therapy, as shown and described.

(52) **U.S. Cl.** **D21/802**

(58) **Field of Classification Search** D21/801–803,
D21/809, 810; 434/254; 472/85; D6/355,
D6/381; D25/62

DESCRIPTION

See application file for complete search history.

FIG. 1 is a perspective view of my new design for a platform for aquatic training and therapy of my design;

FIG. 2 is a front view thereof;

FIG. 3 is a rear view thereof;

FIG. 4 is a left side view thereof;

FIG. 5 is a right side view of thereof;

FIG. 6 is a top view of the platform for aquatic training and therapy of my design; and,

FIG. 7 is a bottom view.

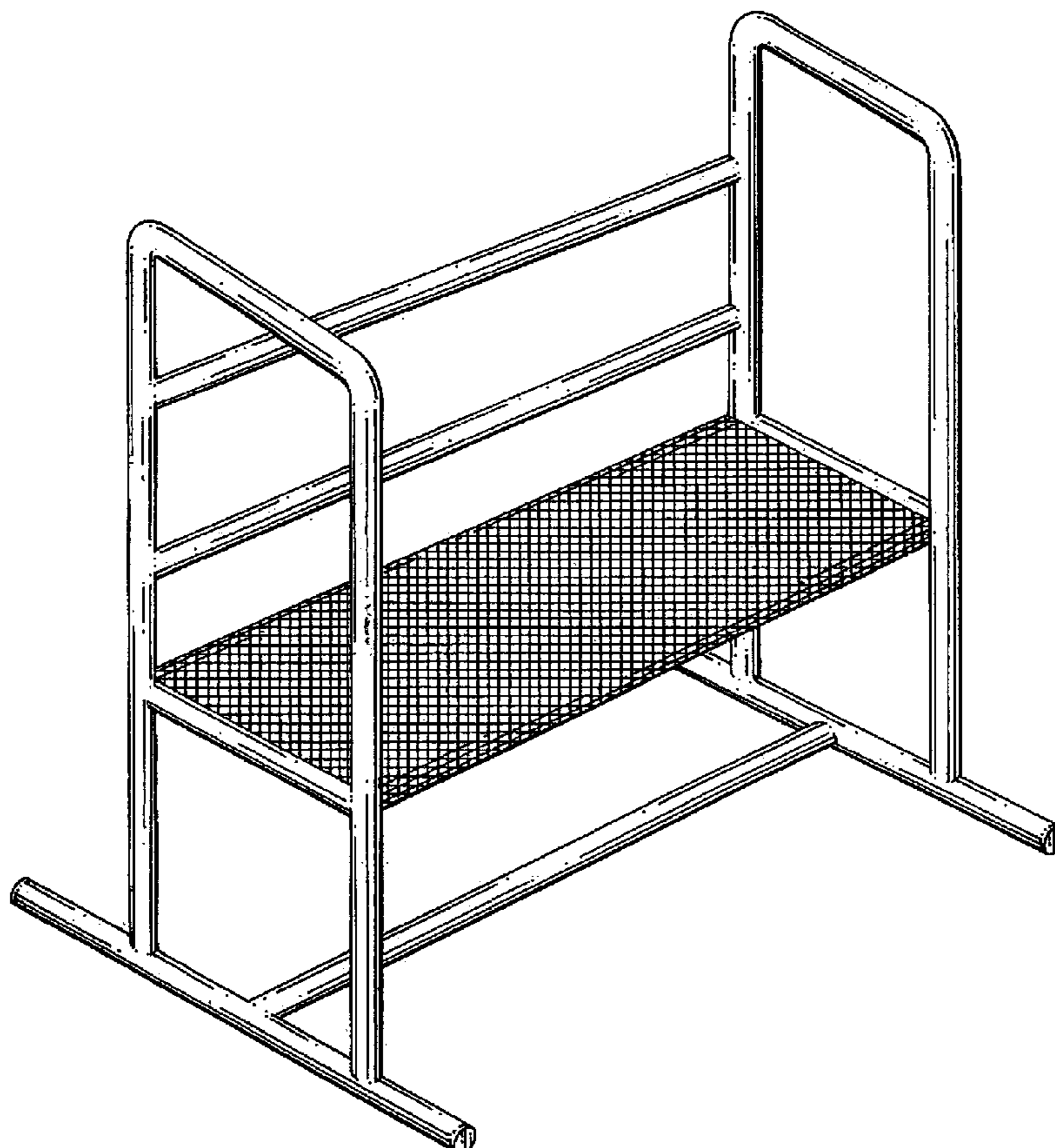
The broken lines in FIG. 7 are for environmental purposes only and form no part of the claimed design.

(56) **References Cited**

U.S. PATENT DOCUMENTS

D198,672 S *	7/1964	Anthony	D21/802
D201,543 S *	7/1965	Anthony	D21/802
4,358,866 A *	11/1982	Rhodes	114/363
4,619,346 A *	10/1986	Deguerry	187/243
D288,833 S *	3/1987	Skalka	D21/826
D329,903 S *	9/1992	Craig	D25/62
D351,889 S *	10/1994	Buchanan	D21/803
D403,783 S *	1/1999	Takai	D25/66
6,039,572 A *	3/2000	Meier et al.		
D486,587 S *	2/2004	Yamaoka	D25/66

1 Claim, 4 Drawing Sheets



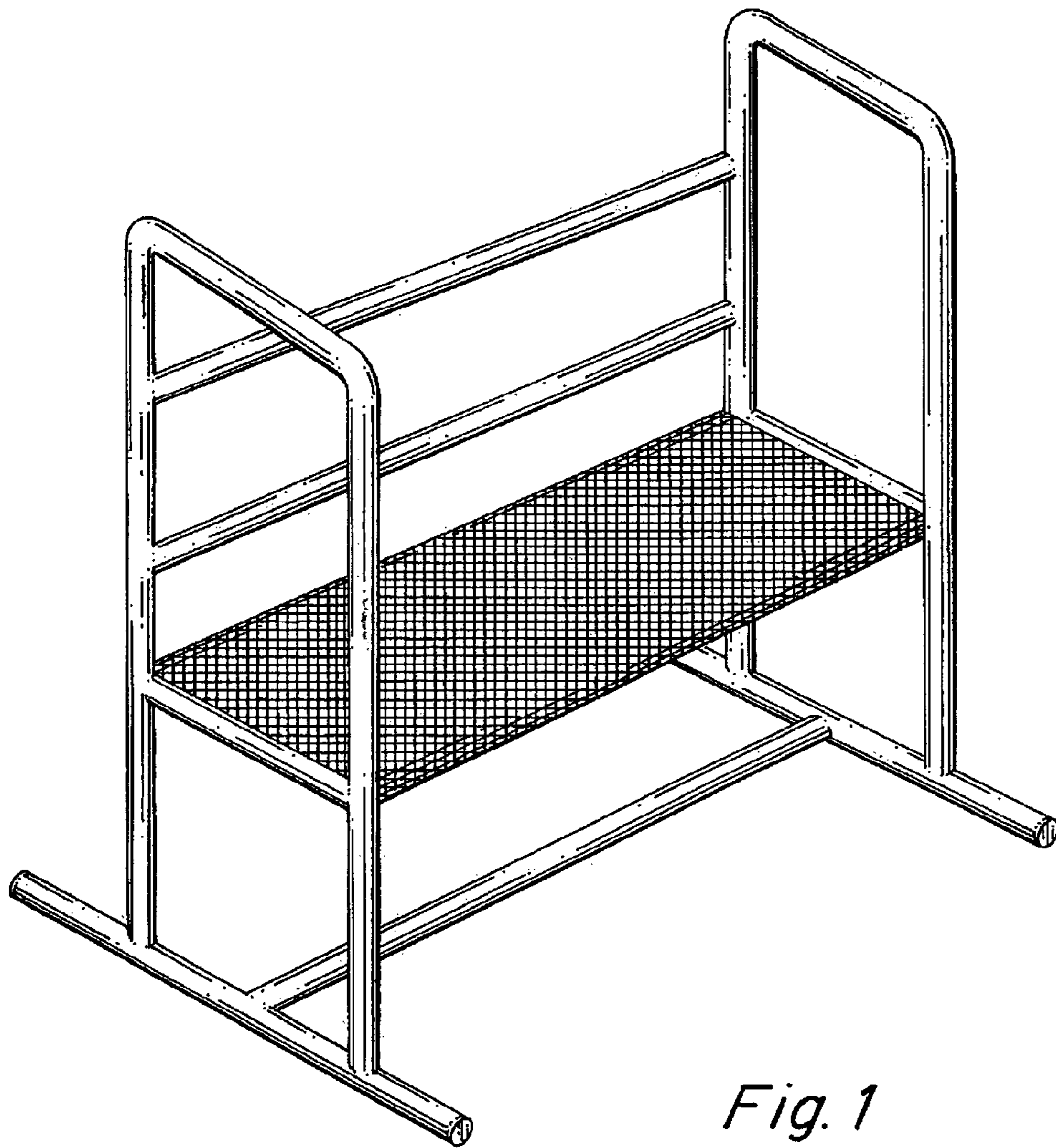


Fig. 1

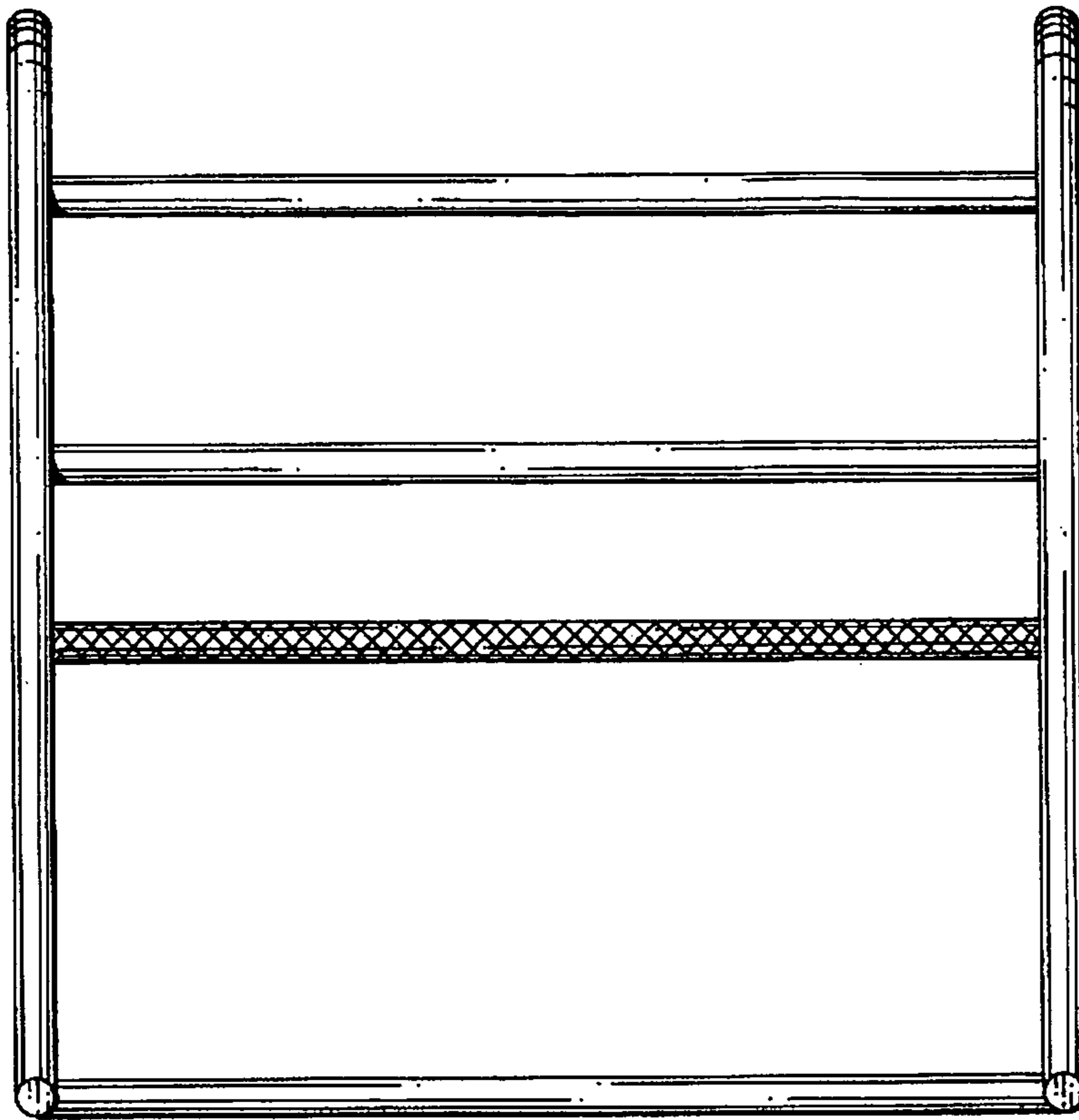


Fig. 2

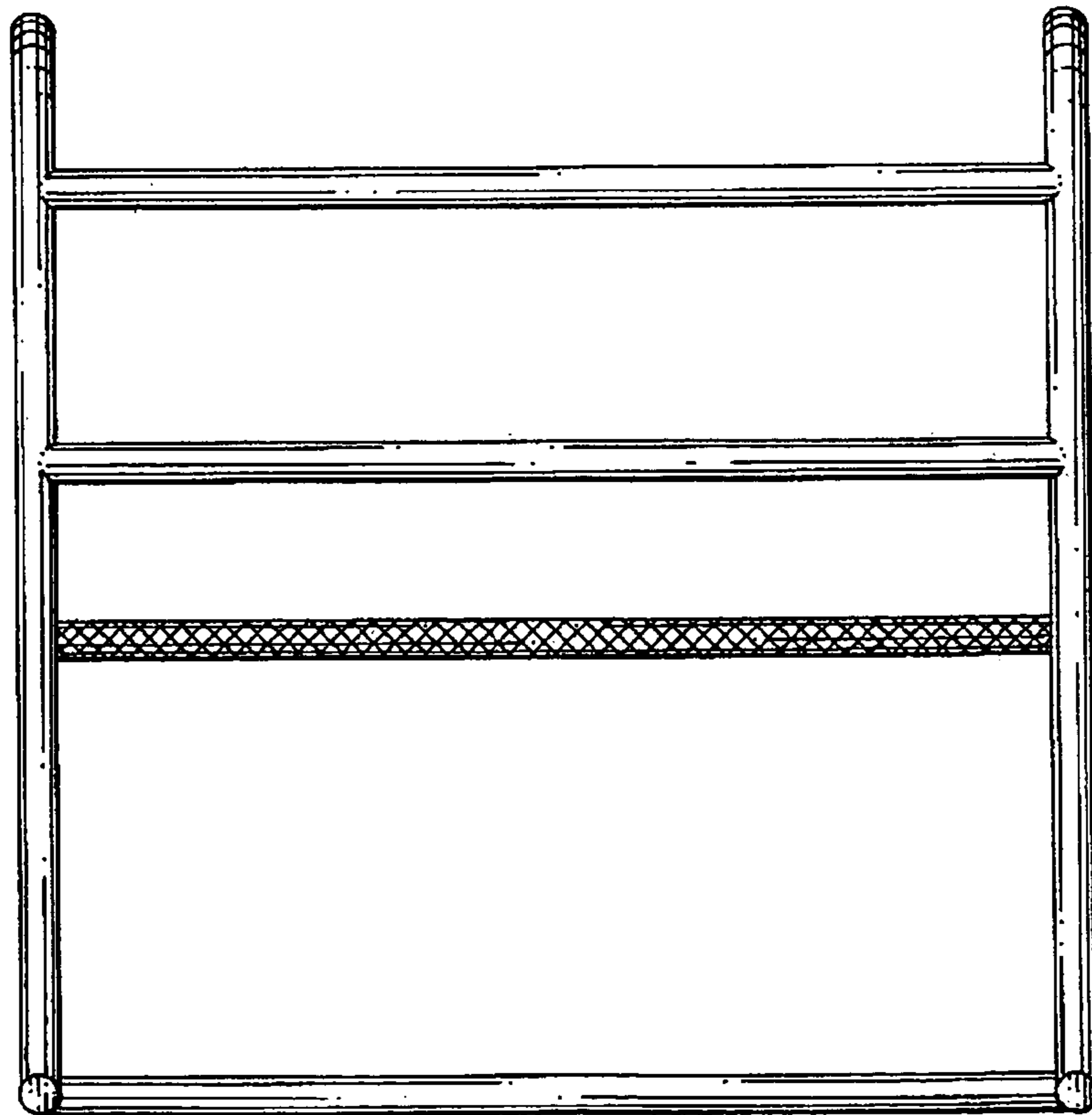


Fig. 3

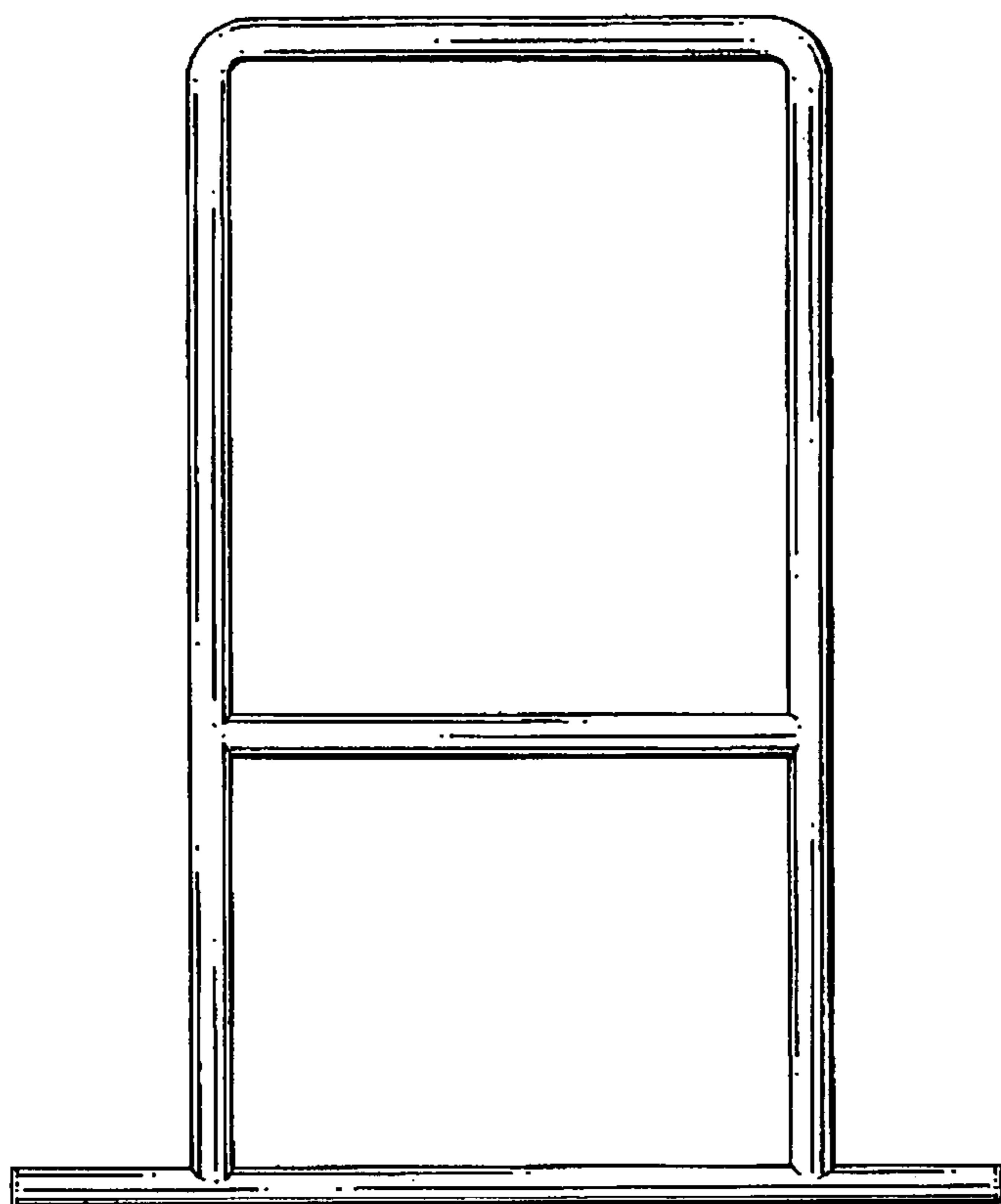


Fig. 4

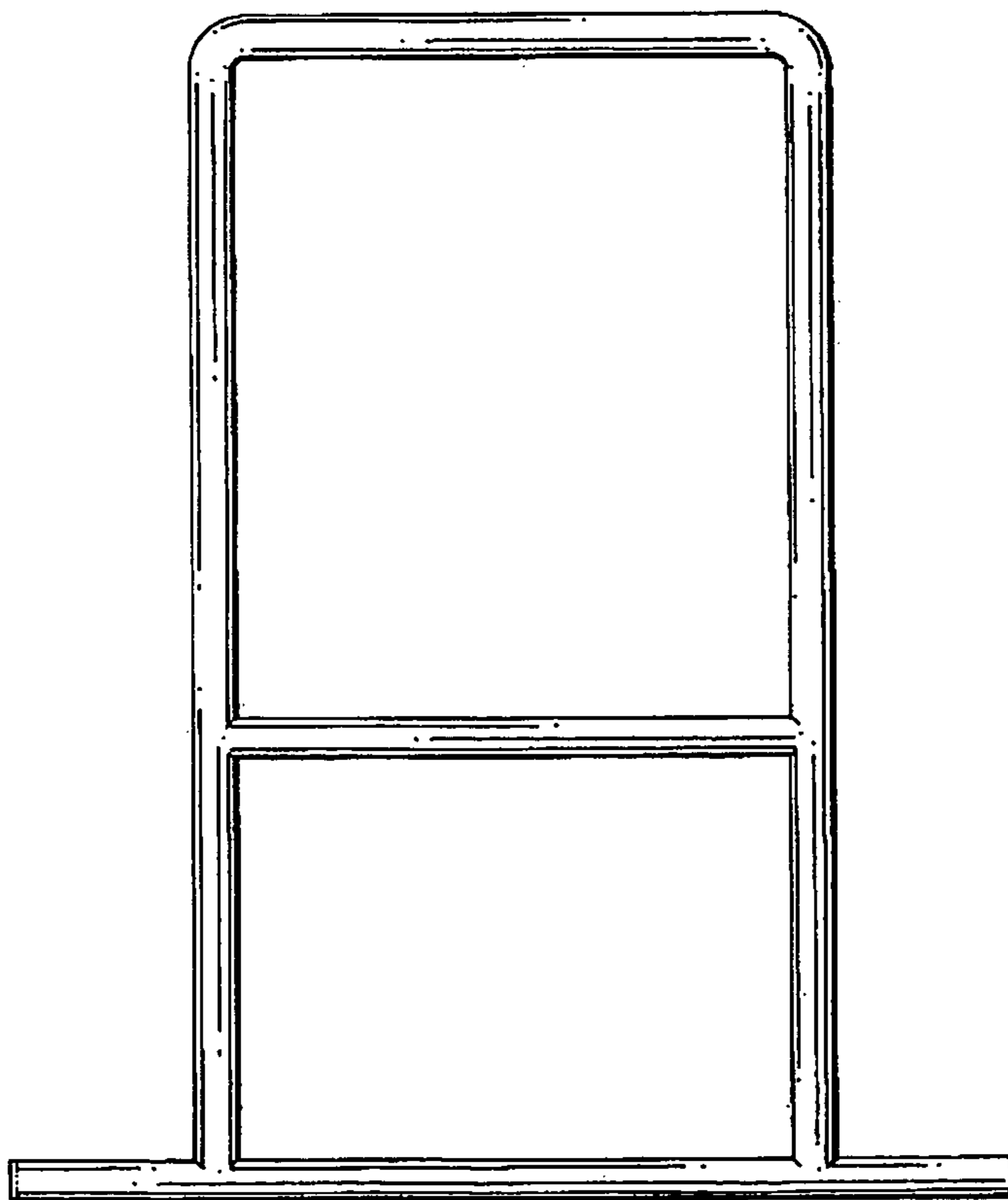


Fig. 5

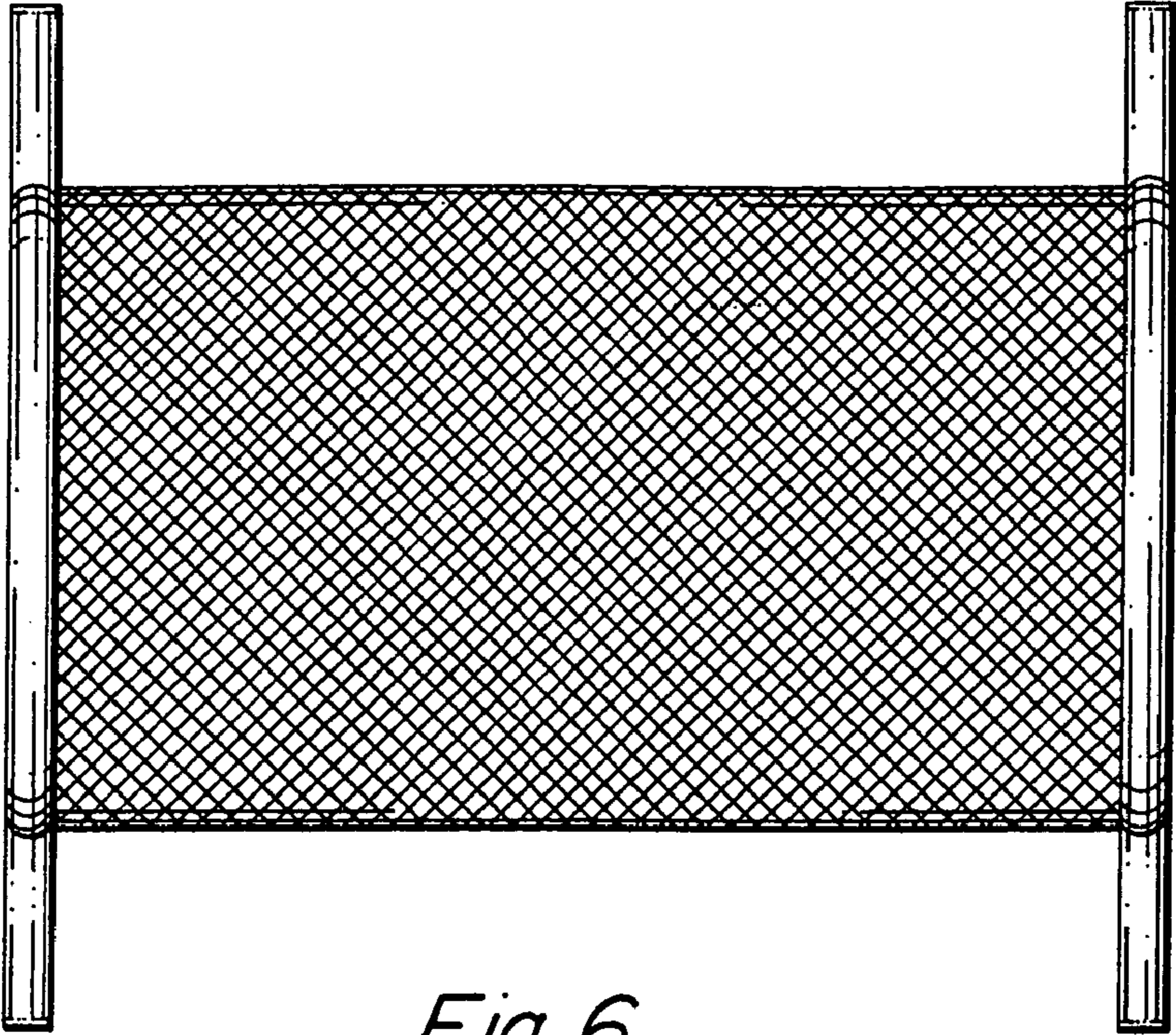


Fig. 6

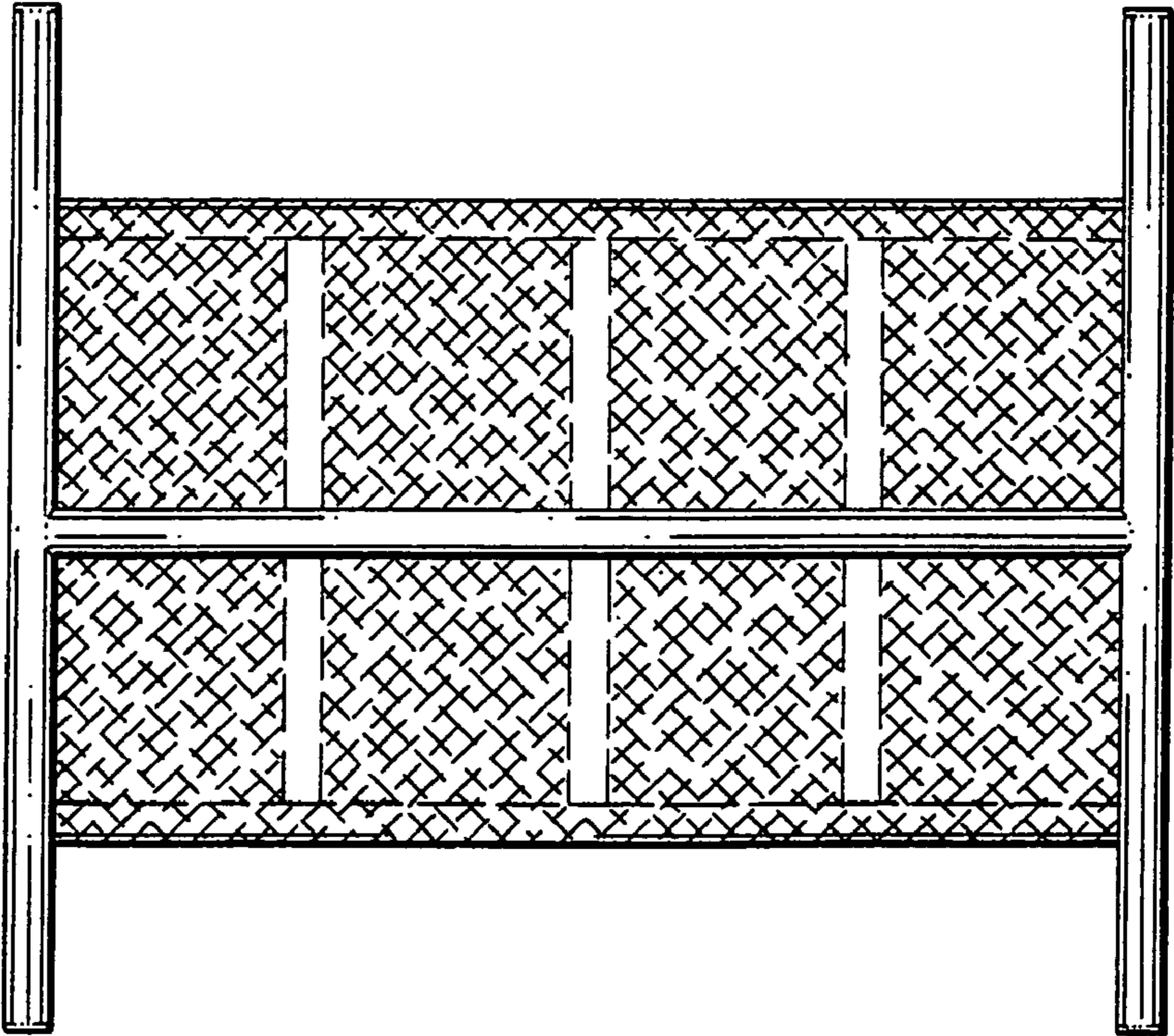


Fig. 7