



US00D633971S

(12) **United States Design Patent**
Cardani

(10) **Patent No.:** **US D633,971 S**
(45) **Date of Patent:** **** Mar. 8, 2011**

(54) **GOLF CLUB HEAD FOR A PUTTER**

(75) Inventor: **Jason Cardani**, Portland, OR (US)

(73) Assignee: **Nike, Inc.**, Beaverton, OR (US)

(**) Term: **14 Years**

(21) Appl. No.: **29/381,050**

(22) Filed: **Dec. 14, 2010**

(51) **LOC (9) Cl.** **21-02**

(52) **U.S. Cl.** **D21/759**

(58) **Field of Classification Search** D21/736-746,
D21/759; 473/324-331, 251-256, 340-341
See application file for complete search history.

(56) **References Cited**

U.S. PATENT DOCUMENTS

3,019,022	A *	1/1962	Ehmke	473/240
3,134,596	A *	5/1964	Boznos	473/250
D271,317	S *	11/1983	Bretl	D21/737
5,467,989	A	11/1995	Good et al.		
D367,691	S *	3/1996	Lee et al.	D21/742
D380,799	S	7/1997	Arnold		
D399,290	S	10/1998	Sizemore, Jr.		
D403,387	S	12/1998	Bloomer		
D447,203	S *	8/2001	Sanchez et al.	D21/759
D447,204	S *	8/2001	Solheim et al.	D21/759
D450,362	S *	11/2001	Petersen et al.	D21/759
D454,170	S *	3/2002	Petersen et al.	D21/759
D454,379	S *	3/2002	Solheim et al.	D21/759
D456,868	S *	5/2002	Solheim et al.	D21/759
D458,326	S *	6/2002	Mullins	D21/736
D464,100	S *	10/2002	Petersen et al.	D21/759
D467,984	S *	12/2002	Mullins	D21/736
D486,872	S	2/2004	Schweigert et al.		
D488,200	S	4/2004	Olsavsky et al.		
D513,050	S	12/2005	Grimaldo		
D532,065	S	11/2006	Johnson		
D547,403	S	7/2007	Serrano et al.		
D570,933	S	6/2008	Kramski		
D593,171	S	5/2009	Stellander		

D596,687	S	7/2009	Bezilla et al.
D600,760	S	9/2009	Serrano et al.
D603,007	S	10/2009	Franklin
D603,009	S	10/2009	Bezilla et al.
D605,243	S	12/2009	Chien et al.
D606,148	S	12/2009	Chien et al.
D607,072	S	12/2009	Kuan
D609,762	S	2/2010	Mills
D621,462	S	8/2010	Serrano et al.

OTHER PUBLICATIONS

Edwin Watts Golf Catalog, Spring 2004, pp. 19, published 2004.
Austad's Golf Catalog, Spring 2008, pp. 24 and 25, published 2008.
Edwin Watts Golf Catalog, Spring 2010, pp. 15, published Spring 2010.
Nike OZ Putters, Nike, Inc., one color sheet of photographs, date unknown but prior to the present application.

(Continued)

Primary Examiner — Mitchell I Siegel

(74) *Attorney, Agent, or Firm* — Banner & Witcoff, Ltd.

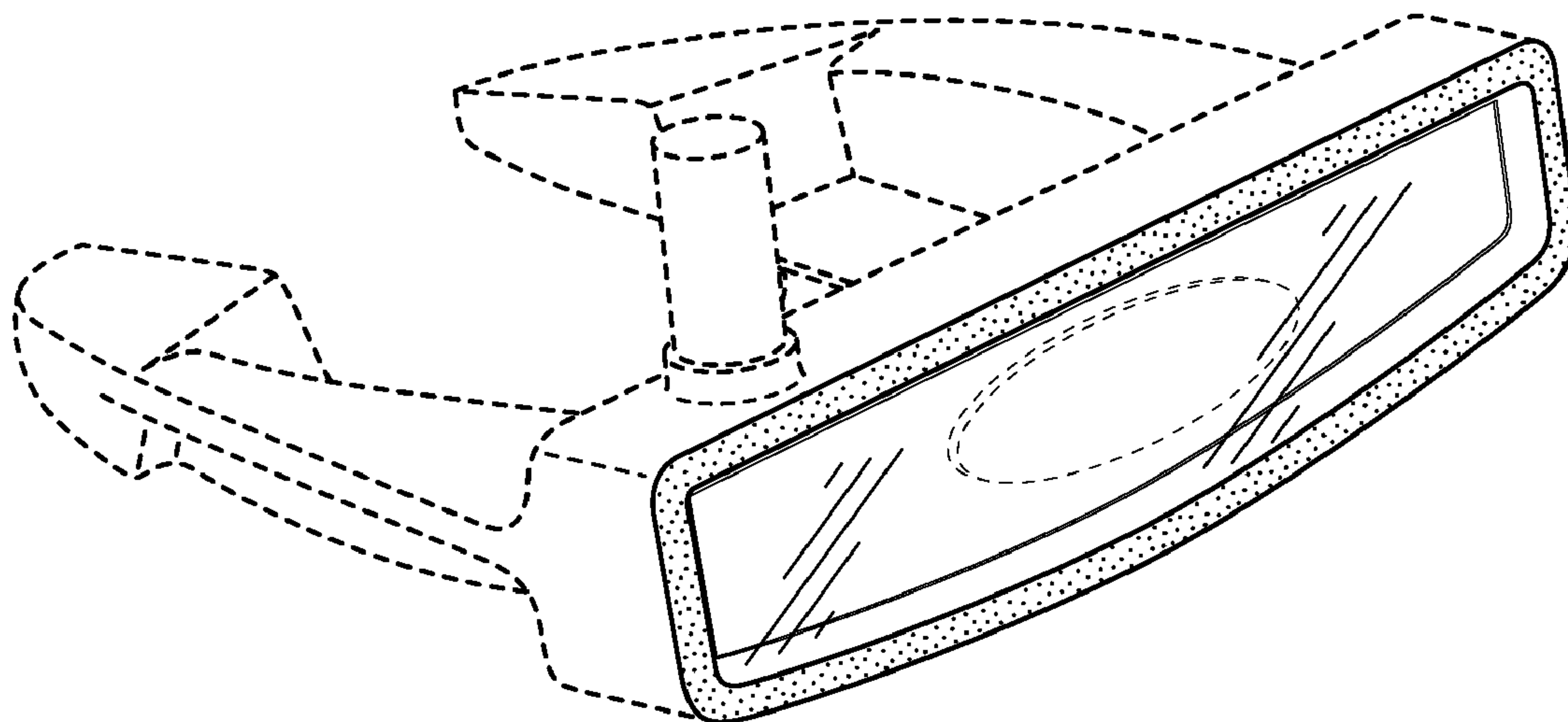
(57) **CLAIM**

The ornamental design for a golf club head for a putter, as shown and described.

DESCRIPTION

FIG. 1 is a perspective view of a golf club head for a putter showing my new design;
FIG. 2 is a front view thereof; and,
FIG. 3 is a second perspective view thereof.
The broken-line showing of the remainder of the golf club head for a putter is for environmental purposes only and forms no part of the claimed design. The broken-line showing of the internal oval-shaped element is for environmental purposes only and forms no part of the claimed design. The stipple shading on the perimeter of the front face surrounding a translucent center region does not represent any particular color, material, texture or finish.

1 Claim, 2 Drawing Sheets



OTHER PUBLICATIONS

Nike Ignite Putters, Nike, Inc., one color sheet of photographs, announced 2007.

Nike Method Putters 003 and 005, Nike, Inc., one color sheet of photographs, announced Nov. 2009.

Nike Birdie Blue Putter, Nike, Inc., one color sheet of photographs, date unknown but prior to the present application.

MacGregor FaceOff Putter, one color sheet of photographs, announced May 2007.

Odyssey White Ice Rossie Putter, one color sheet of photographs, announced Sep. 2009.

Cleveland Never Compromise NCX-Ray putters, four color sheets of photographs located on the internet, commercial embodiment presumably announced 2009.

* cited by examiner

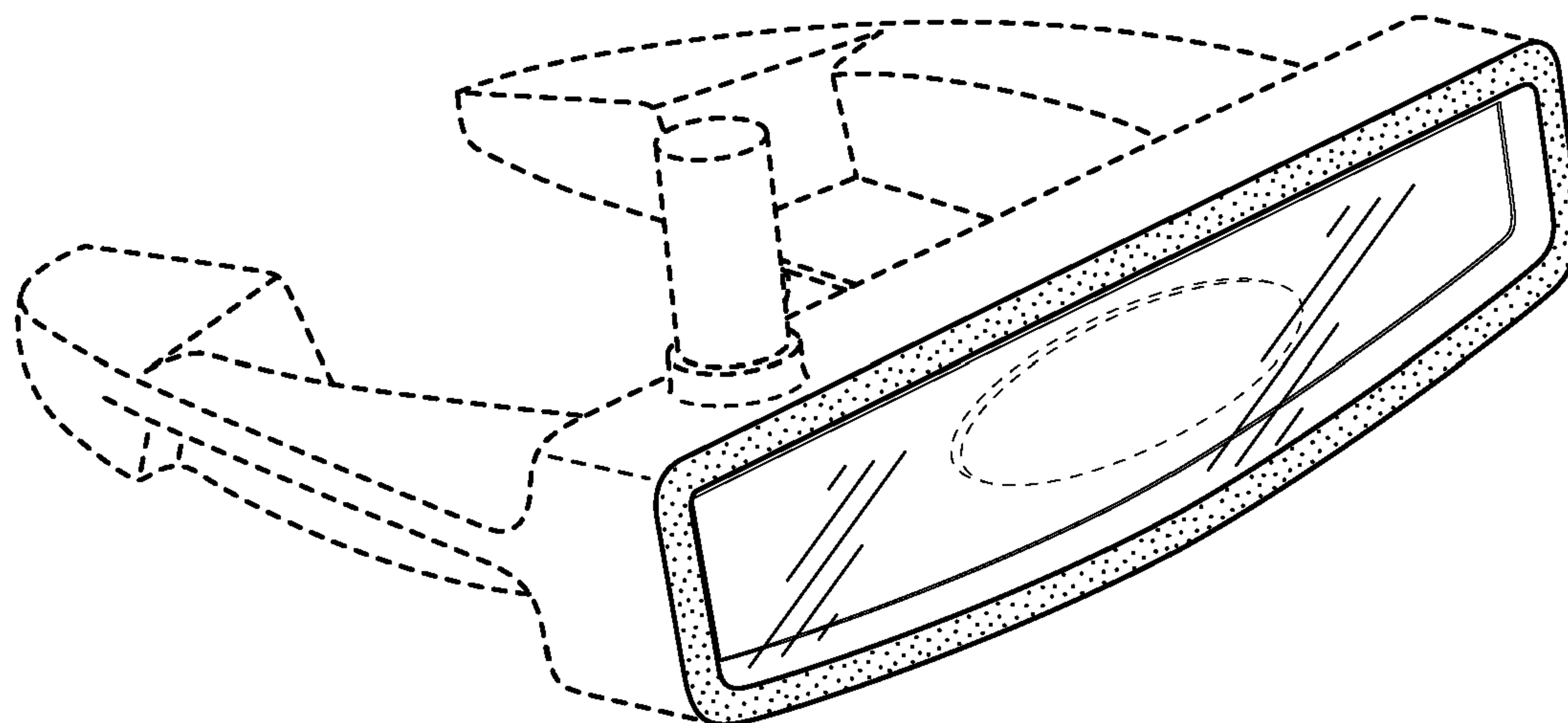


Fig. 1

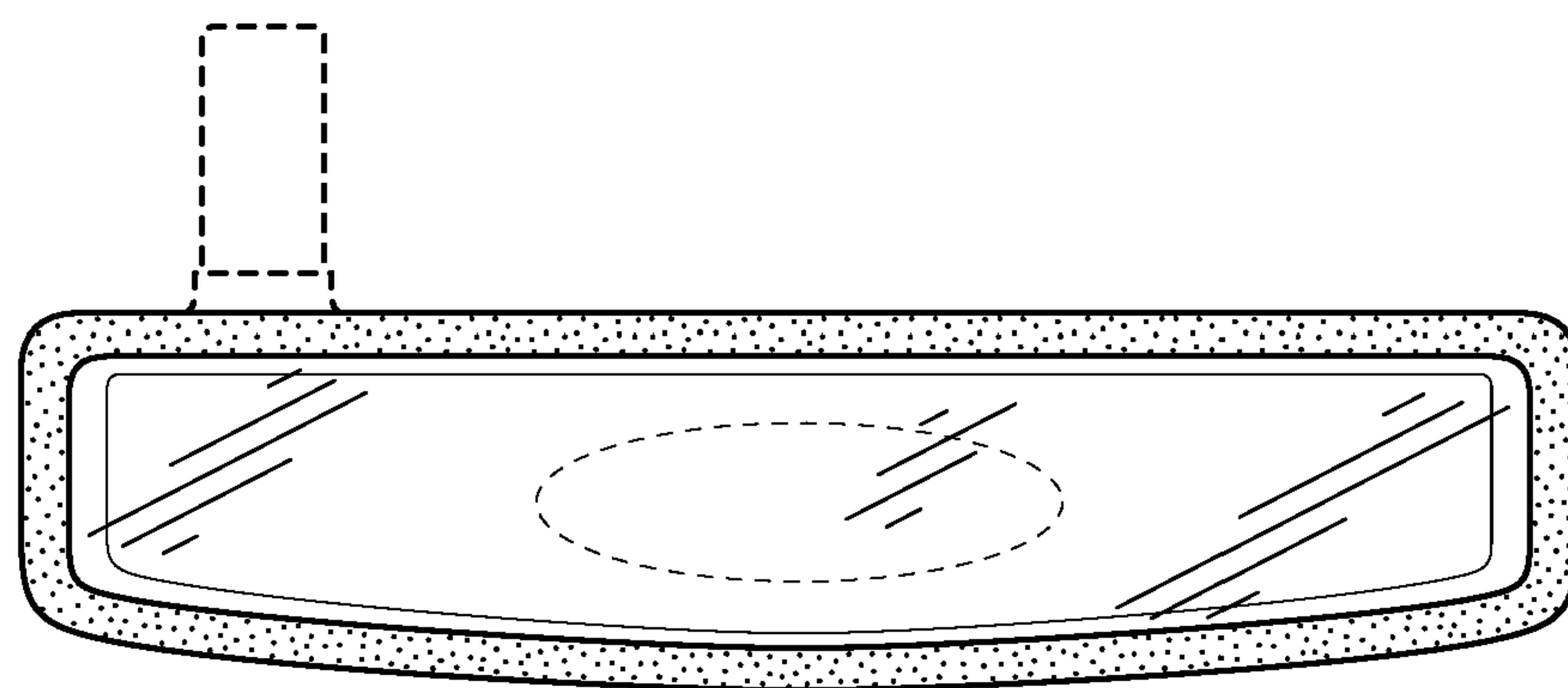


Fig. 2

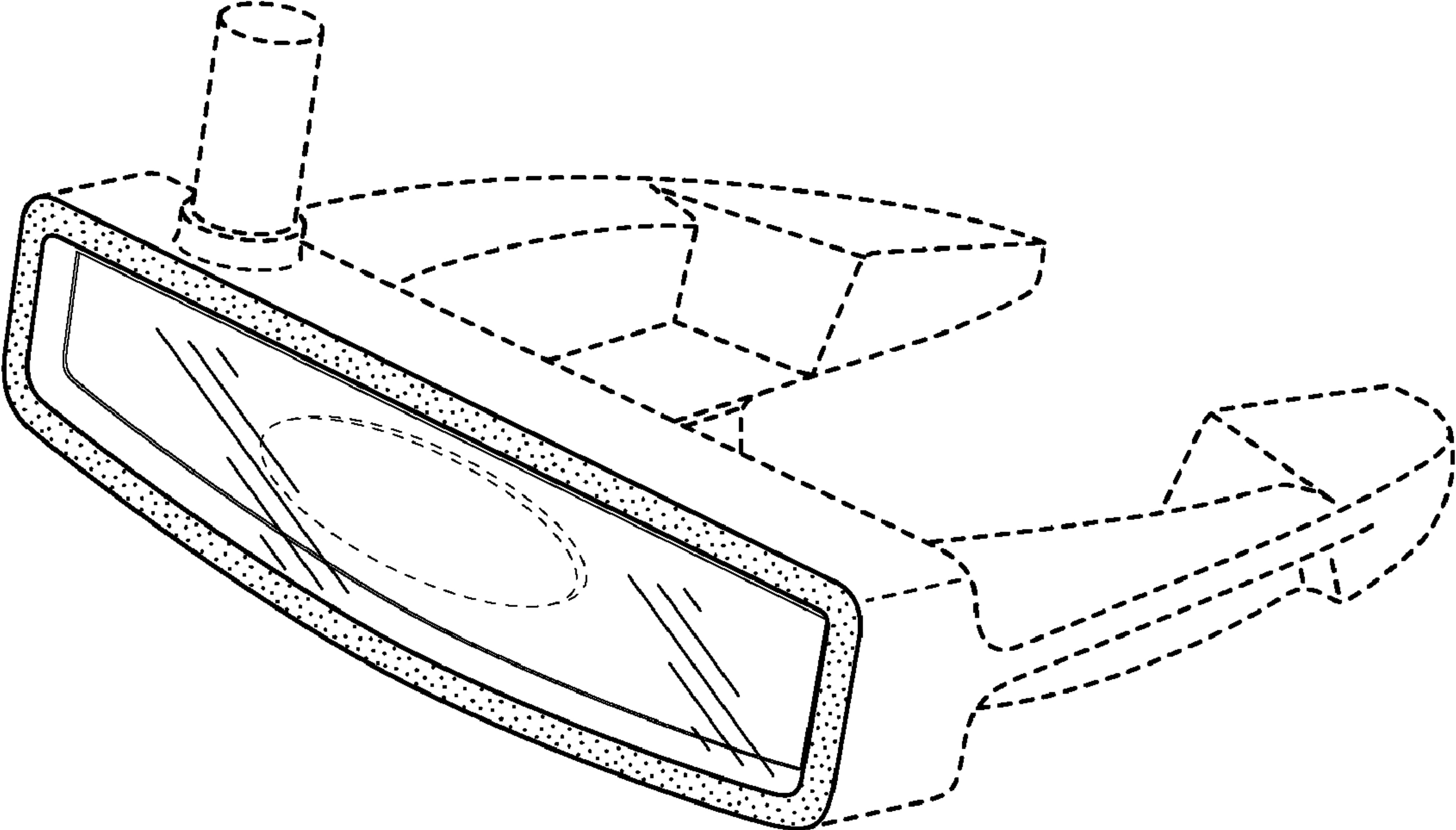


Fig. 3