



US00D633970S

(12) **United States Design Patent**
Cardani

(10) **Patent No.:** **US D633,970 S**

(45) **Date of Patent:** **** Mar. 8, 2011**

(54) **GOLF CLUB HEAD FOR A PUTTER**

D621,458 S 8/2010 Serrano et al.
D621,460 S 8/2010 Serrano et al.
D626,191 S 10/2010 Hilton

(75) Inventor: **Jason Cardani**, Portland, OR (US)

(73) Assignee: **NIKE, Inc.**, Beaverton, OR (US)

(**) Term: **14 Years**

(21) Appl. No.: **29/381,046**

(22) Filed: **Dec. 14, 2010**

(51) **LOC (9) Cl.** **21-02**

(52) **U.S. Cl.** **D21/759**

(58) **Field of Classification Search** D21/736-746,
D21/759; 473/324-331, 251-256, 340-341

See application file for complete search history.

(56) **References Cited**

U.S. PATENT DOCUMENTS

D532,845 S	*	11/2006	Rollinson	D21/736
D534,974 S	*	1/2007	Haack	D21/743
D536,400 S		2/2007	DiBattista		
D564,612 S	*	3/2008	Oldknow et al.	D21/759
D565,137 S	*	3/2008	Oldknow et al.	D21/736
D565,681 S		4/2008	Tanaka		
D573,673 S	*	7/2008	Noyes	D21/736
D574,908 S	*	8/2008	Hettinger et al.	D21/743
D582,497 S	*	12/2008	Rollinson	D21/744
D589,575 S	*	3/2009	Kim et al.	D21/744
D590,034 S		4/2009	Foster et al.		
D590,461 S		4/2009	Kim et al.		
D595,370 S		6/2009	Ines et al.		
D595,373 S		6/2009	Kim et al.		
D603,006 S		10/2009	Foster et al.		
D604,787 S	*	11/2009	Hopkins	D21/736
D606,139 S		12/2009	Ines et al.		
D607,952 S		1/2010	Demkowski et al.		

OTHER PUBLICATIONS

Austad's Golf Catalog, Spring 2008, pp. 24 and 25, published 2008.
Edwin Watts Golf Catalog, Spring 2010, pp. 15, published Spring 2010.

Odyssey White Hot XG Hawk Putters, announced Jan. 2009, [online], [site visited Oct. 4, 2010]. Available from Internet, <URL: <http://www.edwinwattsgolf.com>>.

Nike IC 20-15 MOI Mid Mallet Putter, Nike, Inc., one color sheet of photographs, announced 2008.

Nike OZ Putters, Nike, Inc., one color sheet of photographs, date unknown but prior to the present application.

Nike Ignite Putters, Nike, Inc., one color sheet of photographs, announced 2007.

* cited by examiner

Primary Examiner — Mitchell I Siegel

(74) *Attorney, Agent, or Firm* — Banner & Witcoff, Ltd.

(57) **CLAIM**

The ornamental design for a golf club head for a putter, as shown and described.

DESCRIPTION

FIG. 1 is a bottom perspective view of a golf club head for a putter showing my new design;

FIG. 2 is a bottom view thereof;

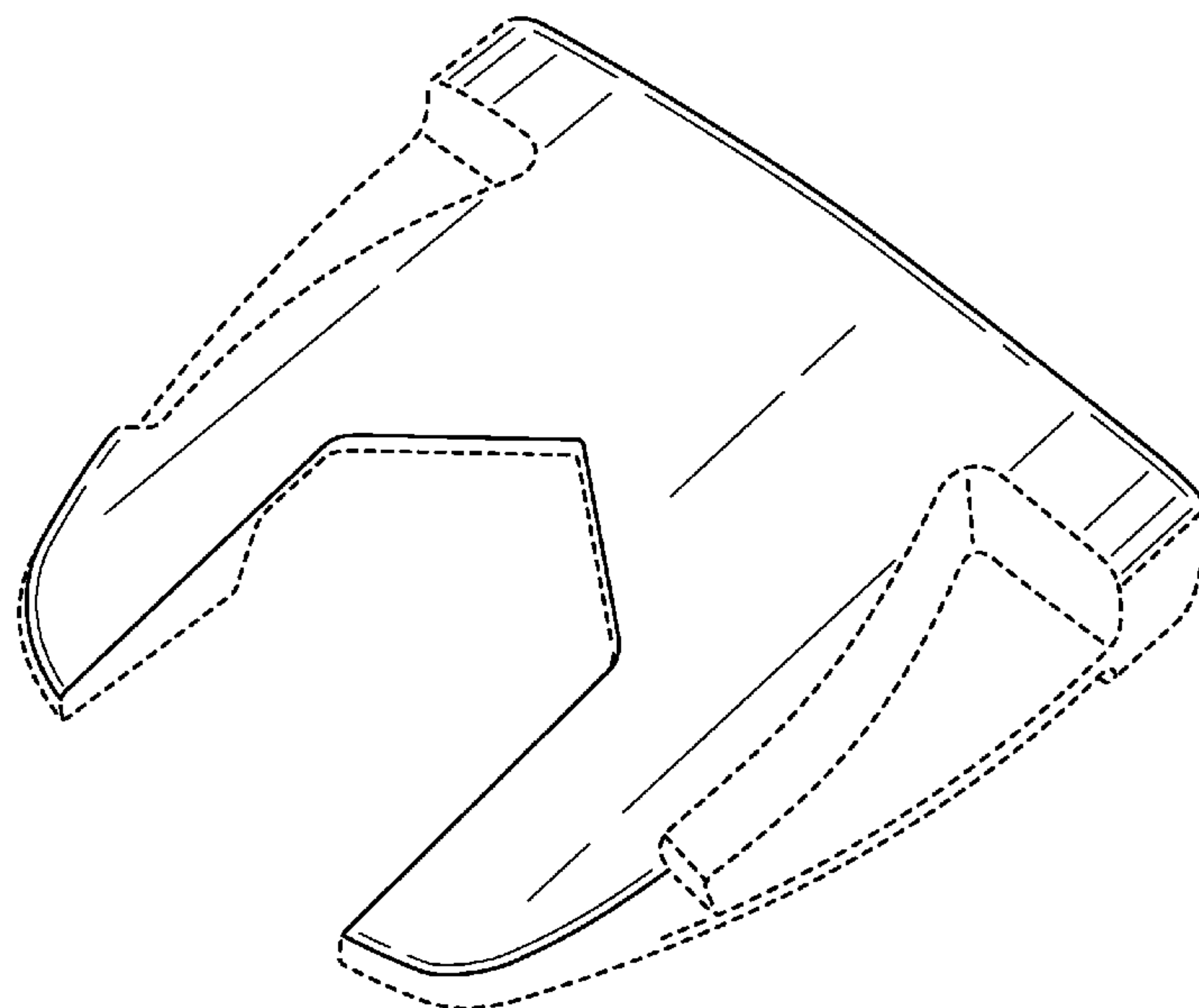
FIG. 3 is a rear view thereof;

FIG. 4 is a heel-end view thereof; and,

FIG. 5 is a toe-end view thereof.

The broken lines immediately adjacent to the shaded area represent unclaimed boundaries of the design. The broken lines showing the remainder of the golf club head for a putter are for environmental purposes only and form no part of the claimed design.

1 Claim, 2 Drawing Sheets



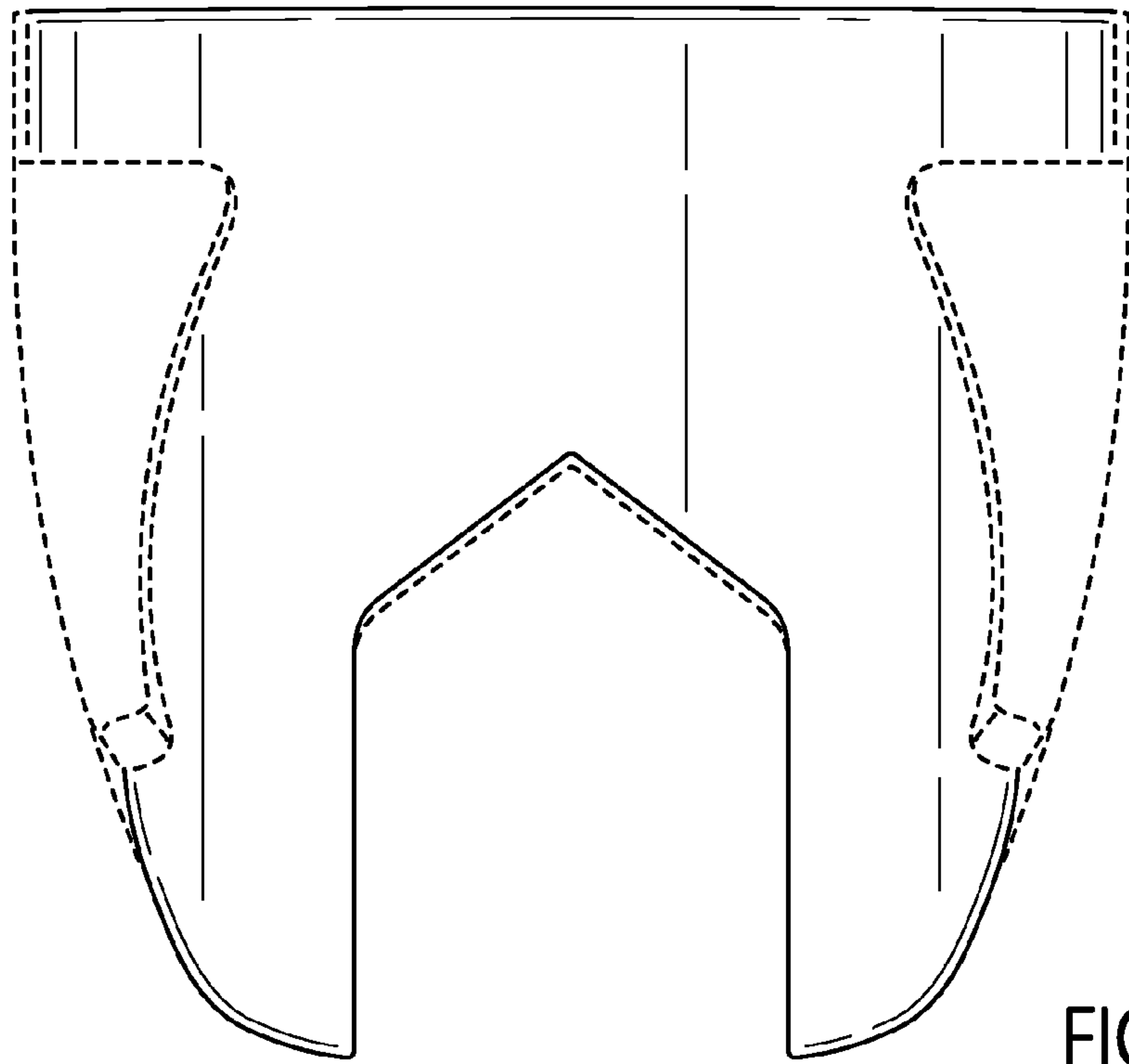
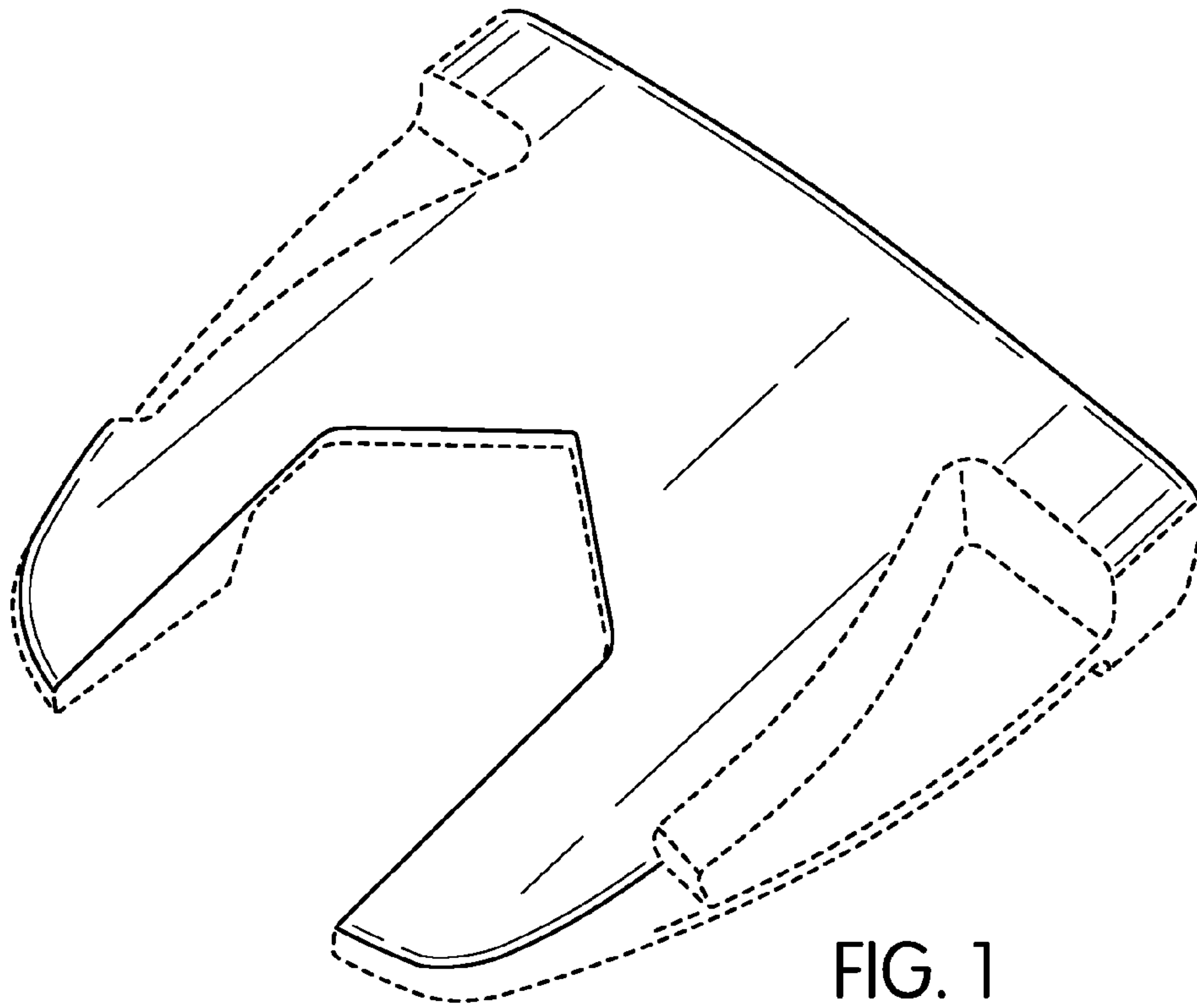


FIG. 2

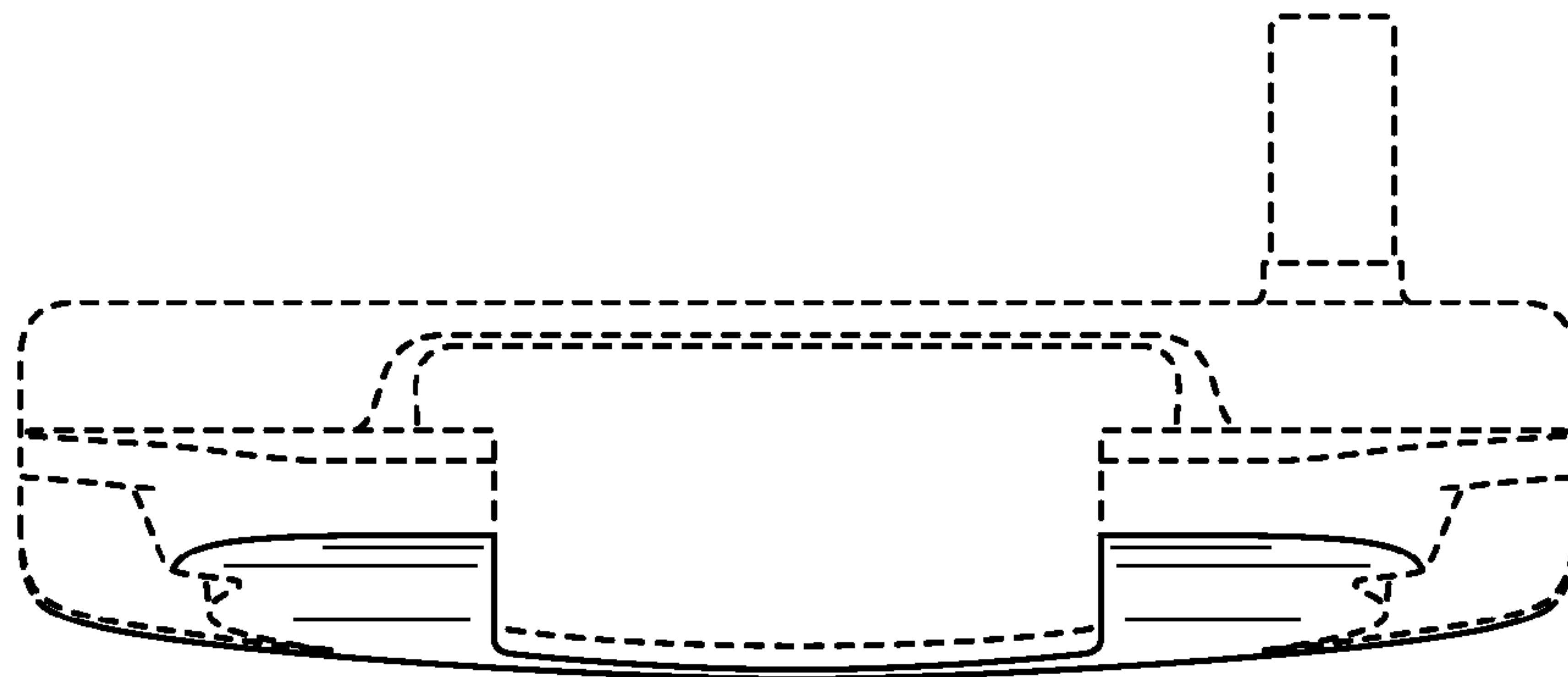


Fig. 3

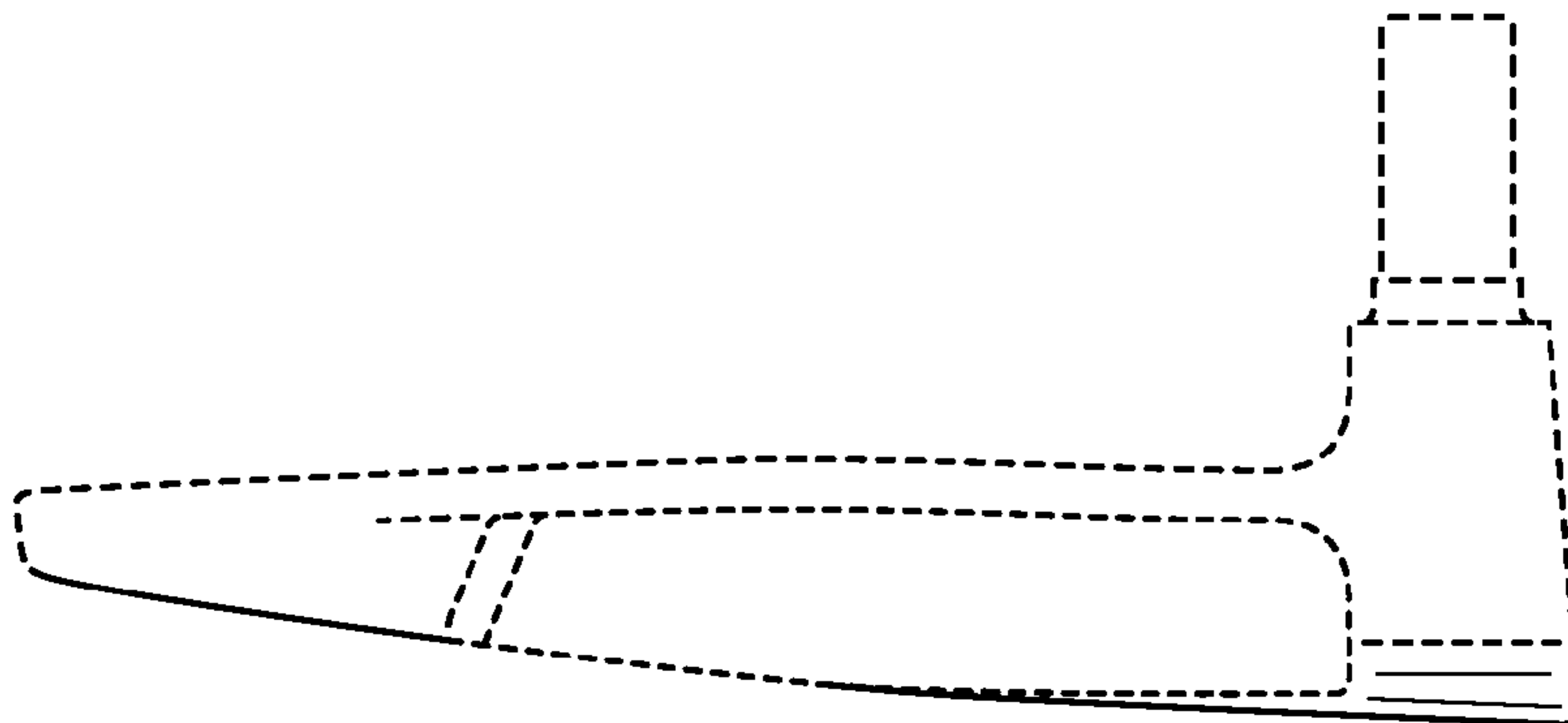


Fig. 4

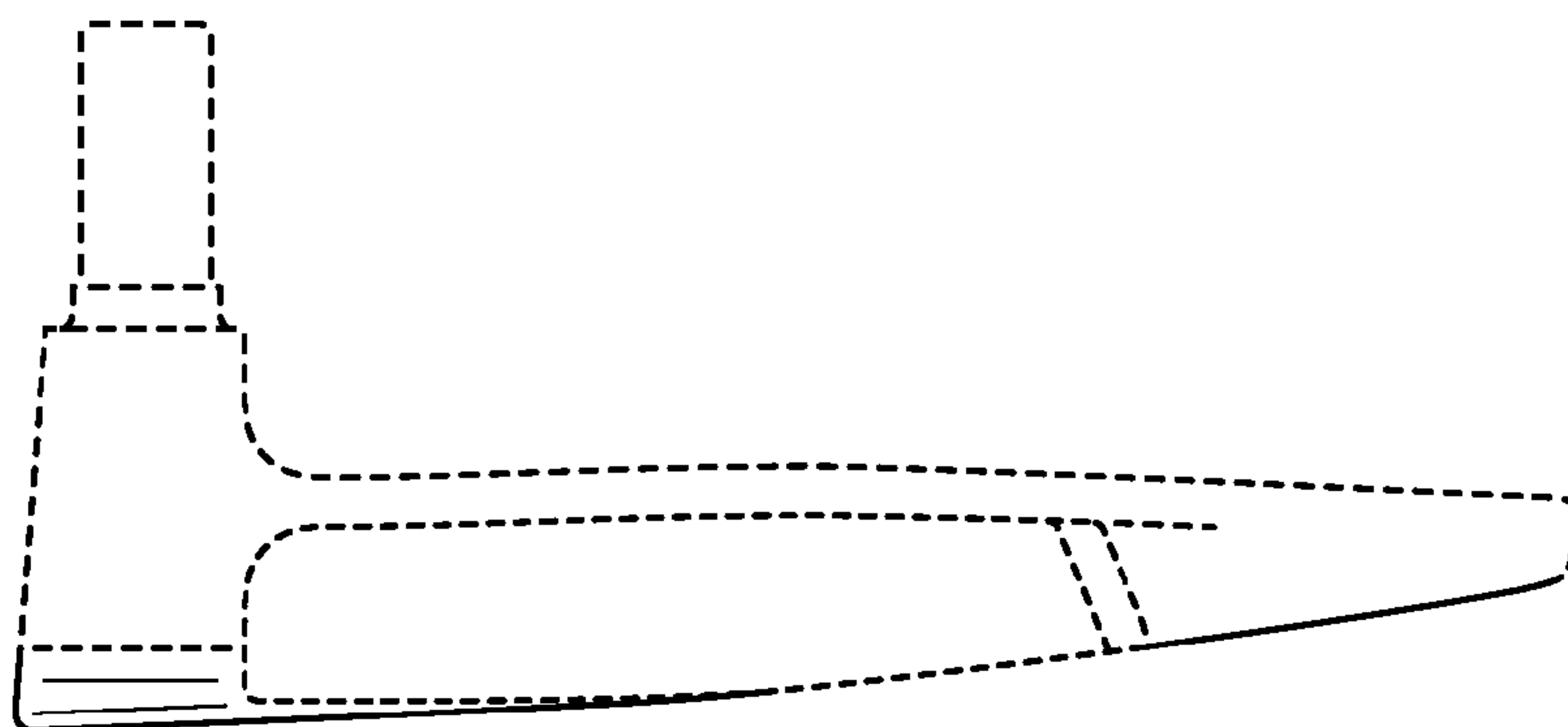


Fig. 5