

US00D633969S

(12) **United States Design Patent**
Tryner et al.

(10) **Patent No.:** **US D633,969 S**
(45) **Date of Patent:** **** Mar. 8, 2011**

- (54) **GOLF PUTTER HEAD**
- (75) Inventors: **Andrew K. Tryner**, Chicago, IL (US);
Douglas J. Thiel, Streamwood, IL (US);
Robert T. Thurman, Plainfield, IL (US);
Jon C. Pergande, Arlington Heights, IL (US)
- (73) Assignee: **Wilson Sporting Goods Co.**, Chicago, IL (US)
- (**) Term: **14 Years**
- (21) Appl. No.: **29/361,600**
- (22) Filed: **May 13, 2010**
- (51) **LOC (9) Cl.** **21-02**
- (52) **U.S. Cl.** **D21/759**
- (58) **Field of Classification Search** D21/736–746,
D21/759; 473/324–331, 251–256, 340–341
See application file for complete search history.

- 5,433,444 A 7/1995 Chiuminatta et al.
- 5,640,777 A 6/1997 Densberger et al.
- 5,893,804 A 4/1999 Pan
- 5,921,868 A 7/1999 DiMartino
- 6,062,986 A 5/2000 Kaise
- RE37,519 E 1/2002 Densberger et al.
- 6,758,760 B1 7/2004 Kellogg et al.
- D494,239 S 8/2004 Green D21/742
- D499,782 S * 12/2004 Stites et al. D21/759
- 6,860,822 B2 3/2005 Vrska, Jr.
- D519,593 S * 4/2006 Solari D21/791
- 7,052,409 B2 5/2006 Goldsmith
- D523,102 S * 6/2006 Stites et al. D21/742
- D531,242 S * 10/2006 Adams D21/746
- 7,134,966 B1 11/2006 Tice
- D537,137 S * 2/2007 Sheehan D21/746
- D542,869 S * 5/2007 Adams D21/742
- D565,139 S * 3/2008 Wilson D21/743
- 7,387,576 B2 6/2008 Agnew
- D603,008 S * 10/2009 Donahue D21/742
- D608,850 S * 1/2010 Oldknow D21/759

(Continued)

Primary Examiner — Mitchell I Siegel
(74) *Attorney, Agent, or Firm* — Terence P. O'Brien

(56) **References Cited**
U.S. PATENT DOCUMENTS

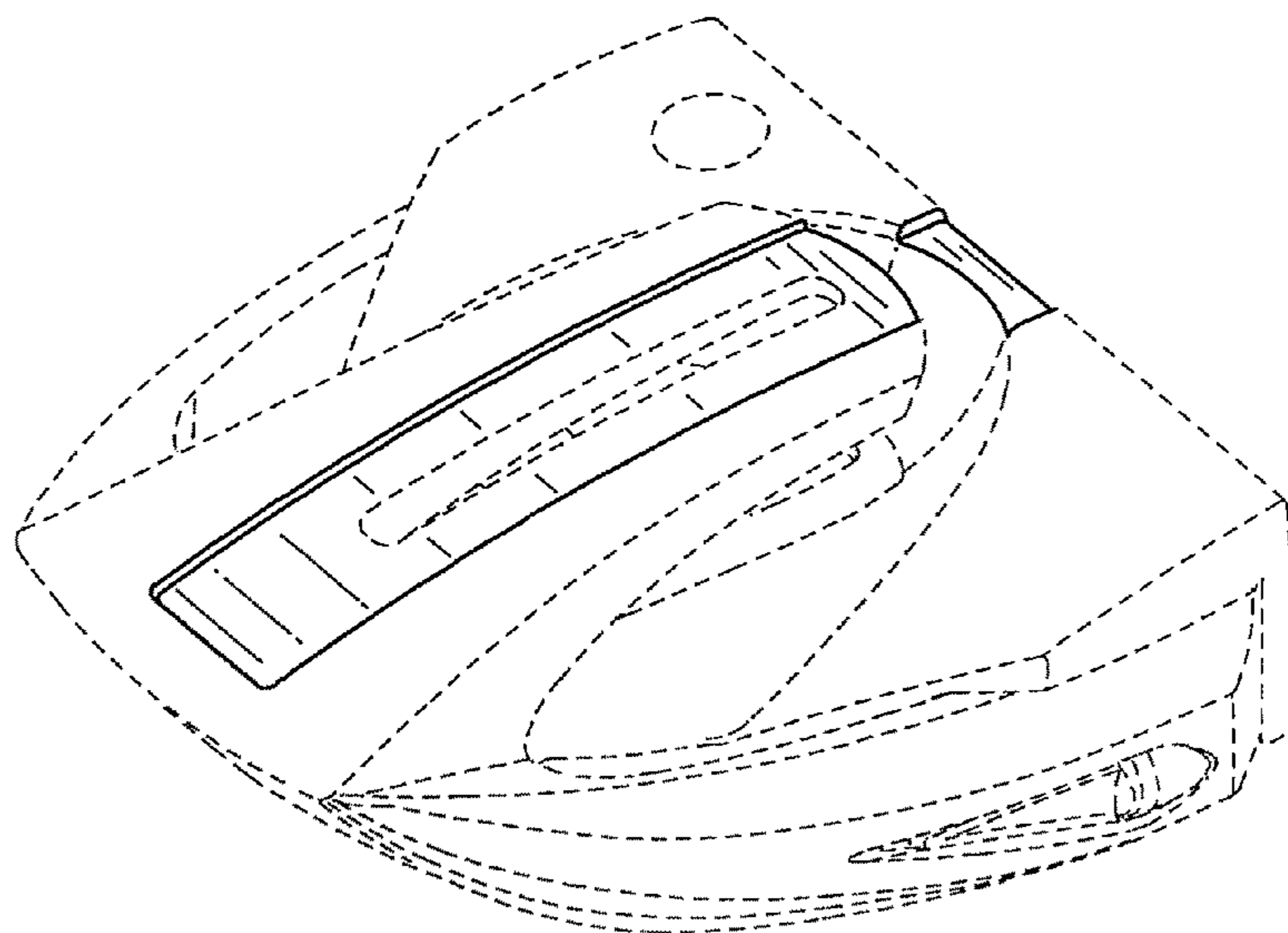
- 2,822,614 A 2/1958 Susinno
- 2,929,631 A 3/1960 Gillon
- 3,019,022 A 1/1962 Ehmke
- 3,043,596 A 7/1962 Ehmke
- 3,880,430 A * 4/1975 McCabe 473/253
- D235,668 S * 7/1975 Swash D21/739
- 4,136,877 A 1/1979 Antonious
- 4,367,877 A 1/1983 Gibson et al.
- 4,458,900 A 7/1984 Antonious
- 4,519,612 A 5/1985 Tsao
- 4,712,798 A 12/1987 Preato
- 4,749,196 A 6/1988 Podgor
- 4,919,424 A * 4/1990 Fukumochi et al. 473/240
- 4,986,544 A 1/1991 Benson
- D325,414 S 4/1992 Woolsey
- 5,351,963 A 10/1994 Baek
- D360,446 S * 7/1995 Juliano D21/759

(57) **CLAIM**
We claim the ornamental design for a golf putter head, as shown and described.

DESCRIPTION

FIG. 1 is a top, side perspective view of a golf putter head; FIG. 2 is a top view of the golf putter head of FIG. 1; FIG. 3 is a rear view of the golf putter head of FIG. 1; FIG. 4 is a front view of the golf putter head of FIG. 1; and, FIG. 5 is a side view of the golf putter head of FIG. 1. The ornamental design that is claimed is shown in solid lines in the drawings. The broken (dashed) lines shown in FIGS. 1 through 5 are included for the purpose of illustrating environmental elements only and form no part of the claimed design.

1 Claim, 2 Drawing Sheets



US D633,969 S

Page 2

U.S. PATENT DOCUMENTS

D609,300 S *	2/2010	Oldknow	D21/759	D625,764 S *	10/2010	Hilton et al.	D21/743
D609,764 S *	2/2010	Oldknow	D21/759	2004/0092327 A1	5/2004	Marnocha	
D612,442 S *	3/2010	Oldknow	D21/759	2005/0020372 A1	1/2005	Hermle et al.	
7,677,987 B2 *	3/2010	Hilton	473/242	2006/0135277 A1	6/2006	Marnocha	
D623,710 S *	9/2010	Hilton et al.	D21/743				

* cited by examiner

FIG. 1

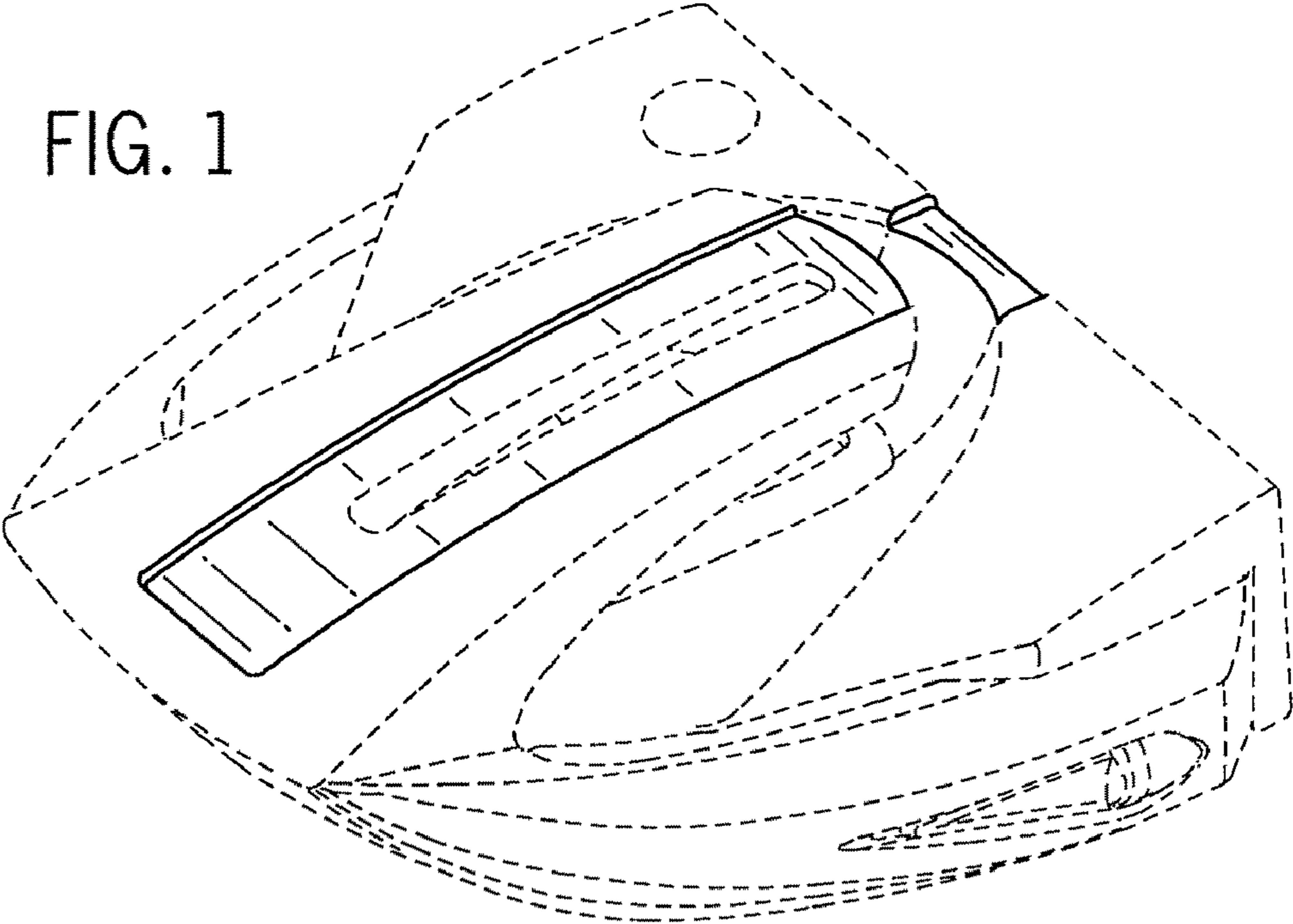


FIG. 2

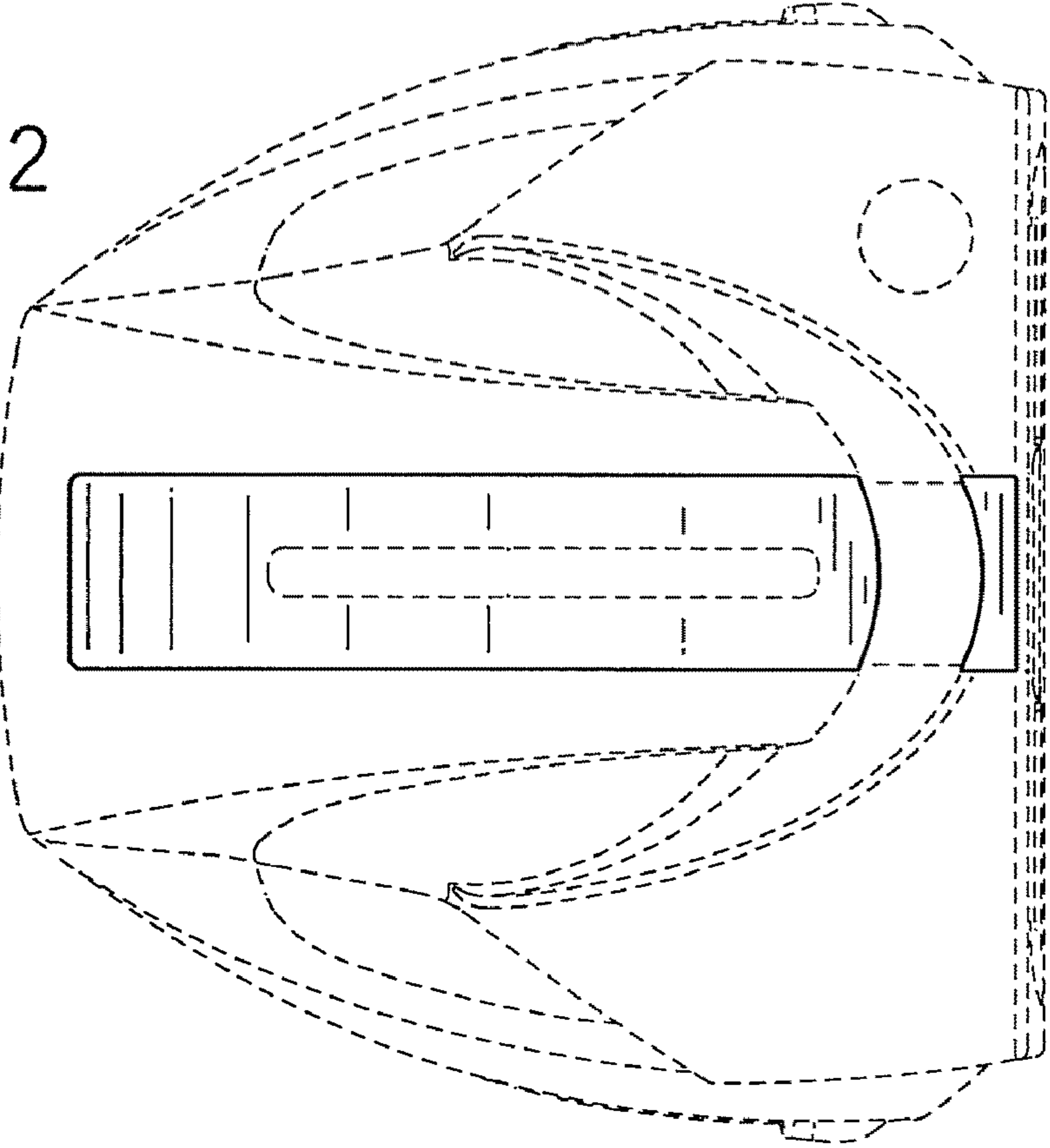


FIG. 3

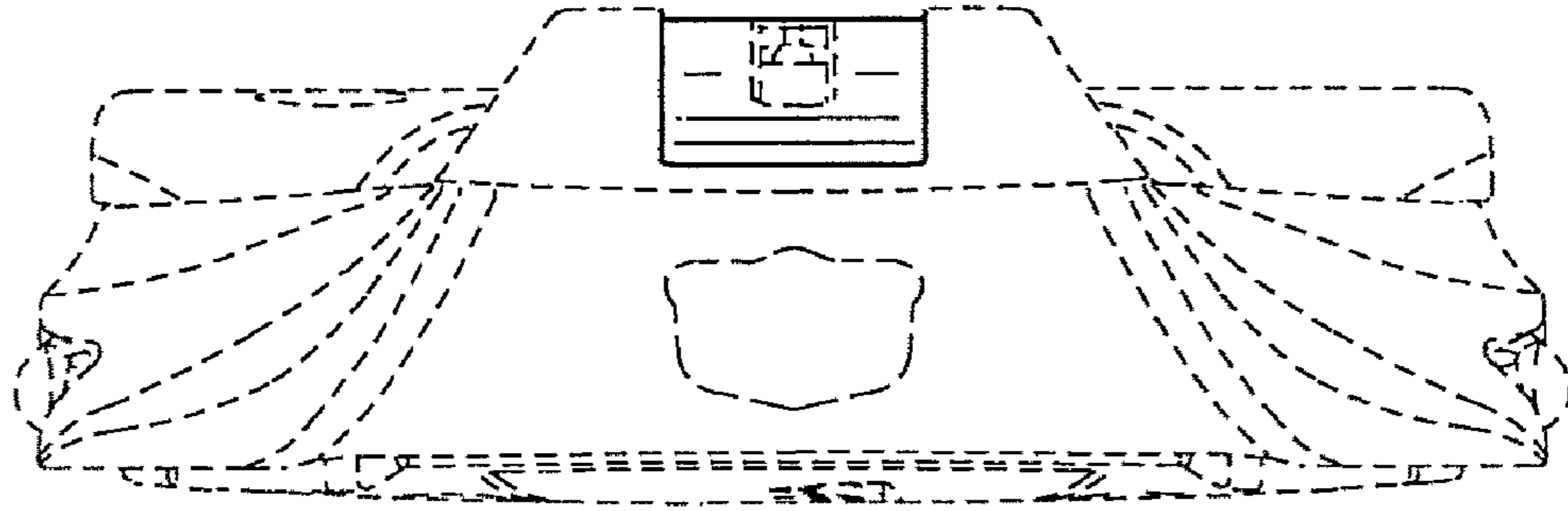


FIG. 4

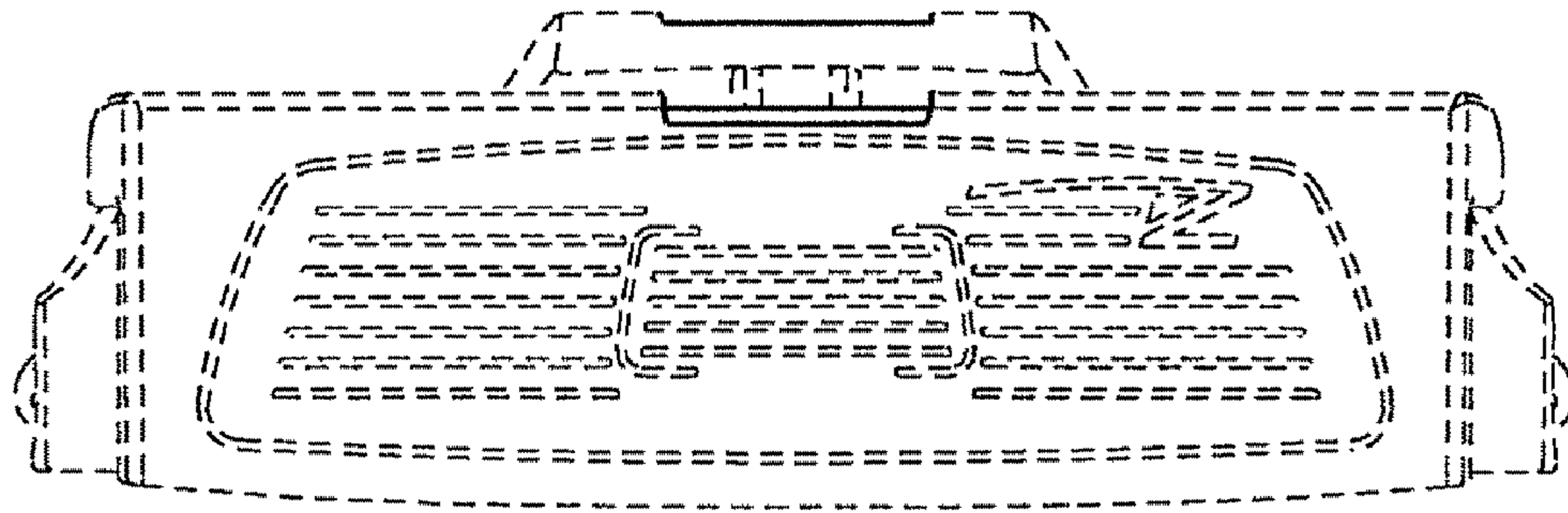


FIG. 5

