



US00D633967S

(12) **United States Design Patent**
Carlyle et al.

(10) **Patent No.:** **US D633,967 S**
(45) **Date of Patent:** **** Mar. 8, 2011**

(54) **GOLF CLUB HEAD**

D554,220 S * 10/2007 Park et al. D21/759
7,278,926 B2 10/2007 Frame
7,278,928 B2 10/2007 Newman et al.

(75) Inventors: **Scott A. Carlyle**, Costa Mesa, CA (US);
Brian D. Schielke, Huntington Beach,
CA (US)

(Continued)

FOREIGN PATENT DOCUMENTS

(73) Assignee: **SRI Sports Limited**, Kobe-shi (JP)

JP A-2001-346920 12/2001

(Continued)

(**) Term: **14 Years**

OTHER PUBLICATIONS

(21) Appl. No.: **29/358,854**

U.S. Appl. No. 29/346,140, filed Oct. 27, 2009, Carlyle et al.

(22) Filed: **Apr. 1, 2010**

Primary Examiner — Mitchell I Siegel

(51) **LOC (9) Cl.** **21-02**

(74) *Attorney, Agent, or Firm* — Oliff & Berridge, PLC

(52) **U.S. Cl.** **D21/759**

(57) **CLAIM**

(58) **Field of Classification Search** D21/736–746,
D21/759; 473/324–331, 350

The ornamental design for a golf club head, as shown and described.

See application file for complete search history.

DESCRIPTION

(56) **References Cited**

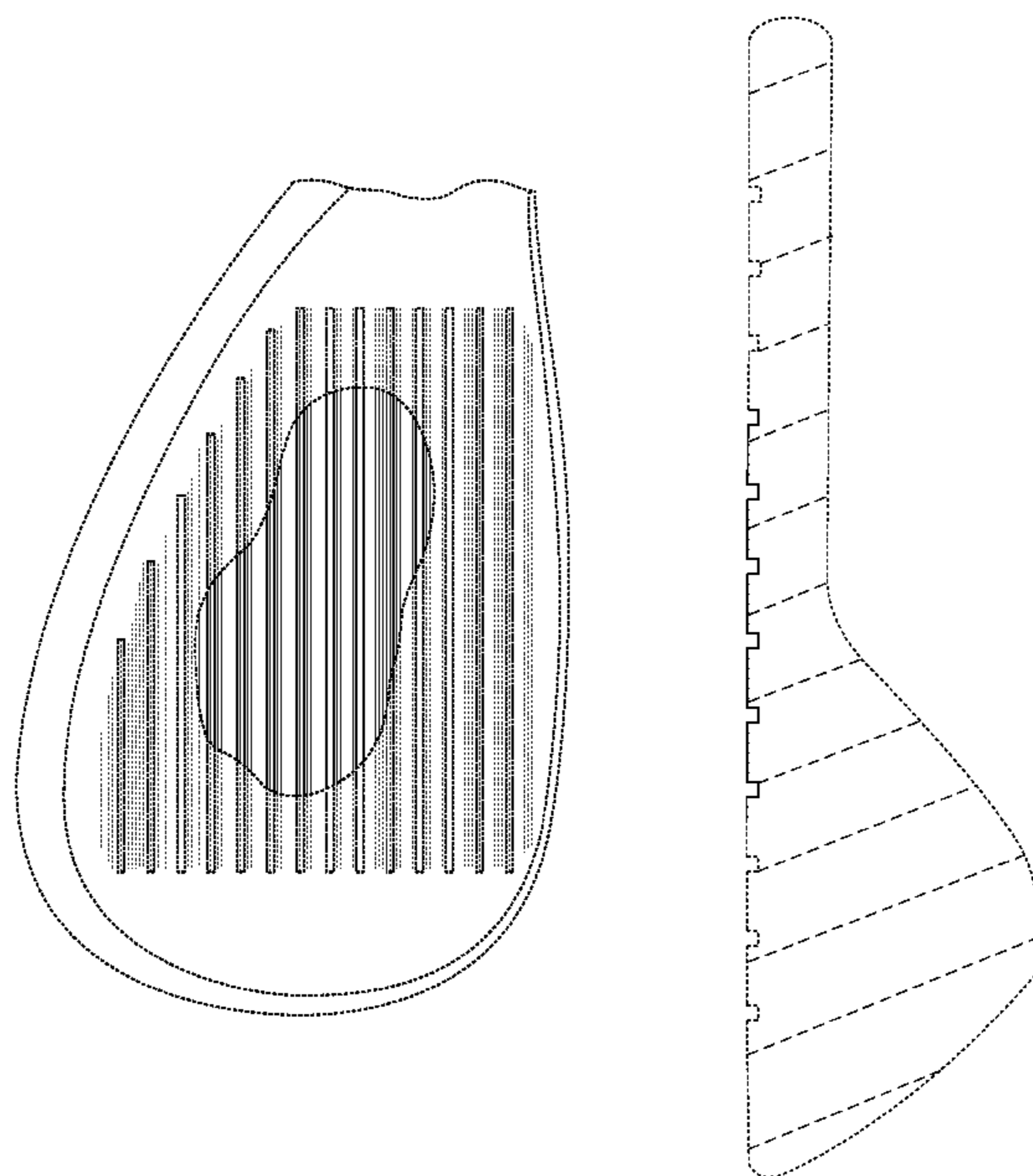
FIG. 1 is a top view of a golf club head, oriented in the address position, embodying a first example of the inventive design. FIG. 2 is a front view of the golf club head of FIG. 1. FIG. 3 is a front view of the golf club head of FIG. 1 with its face in the drawing plane. FIG. 4 is a cross-sectional view of the golf club head of FIG. 3 taken in the direction of lines 4—4. FIG. 5 is a rear view of the golf club head shown in FIG. 3. FIG. 6 is a top view of the golf club head shown in FIG. 3. FIG. 7 is a bottom view of the golf club head shown in FIG. 3. FIG. 8 is a toe-side view of the golf club head shown in FIG. 3; and, FIG. 9 is a heel-side view of the golf club head shown in FIG. 3.

U.S. PATENT DOCUMENTS

4,529,203	A	7/1985	Ribaudo	
5,437,088	A	8/1995	Igarashi	
5,807,190	A	9/1998	Krumme et al.	
6,129,953	A	10/2000	Mertens	
6,277,033	B1	8/2001	Krumme et al.	
6,381,828	B1	5/2002	Boyce et al.	
6,402,637	B1	6/2002	Sasamoto et al.	
6,440,011	B1	8/2002	Hocknell et al.	
6,688,989	B2	2/2004	Best	
6,994,636	B2	2/2006	Hocknell et al.	
7,086,963	B1	8/2006	Onuki et al.	
7,153,221	B2	12/2006	Hocknell et al.	
D538,870	S	3/2007	Chick et al.	
D544,562	S *	6/2007	Park et al.	D21/759
D545,932	S *	7/2007	Park et al.	D21/759
D551,311	S *	9/2007	Park et al.	D21/759
D551,729	S *	9/2007	Park et al.	D21/759
D551,730	S *	9/2007	Park et al.	D21/759

The broken lines are directed to environment and are for illustrative purposes only; the broken lines form no part of the claimed design.

1 Claim, 9 Drawing Sheets



US D633,967 S

Page 2

U.S. PATENT DOCUMENTS

7,448,961	B2	11/2008	Lin	
7,465,240	B2	12/2008	Frame	
7,473,187	B2	1/2009	Vokey et al.	
D588,221	S	3/2009	Takahashi	
D588,666	S	3/2009	Takahashi	
D596,687	S *	7/2009	Bezilla et al.	D21/759
D603,009	S	10/2009	Bezilla et al.	
D612,438	S *	3/2010	Carlyle et al.	D21/759
D612,439	S *	3/2010	Carlyle et al.	D21/759
D617,406	S *	6/2010	Carlyle et al.	D21/759
2008/0051212	A1	2/2008	Voges	
2009/0247318	A1	10/2009	Ban et al.	

FOREIGN PATENT DOCUMENTS

JP	A-2004-147694	5/2004
JP	A-2005-224383	8/2005
JP	A-2007-319344	12/2007
JP	A-2007-325859	12/2007
JP	A-2008-023178	2/2008
JP	A-2008-079969	4/2008
JP	A-2008-132168	6/2008
JP	A-2008-132169	6/2008
JP	A-2008-136833	6/2008
JP	A-2008-206984	9/2008
JP	A-2008-272271	11/2008

* cited by examiner

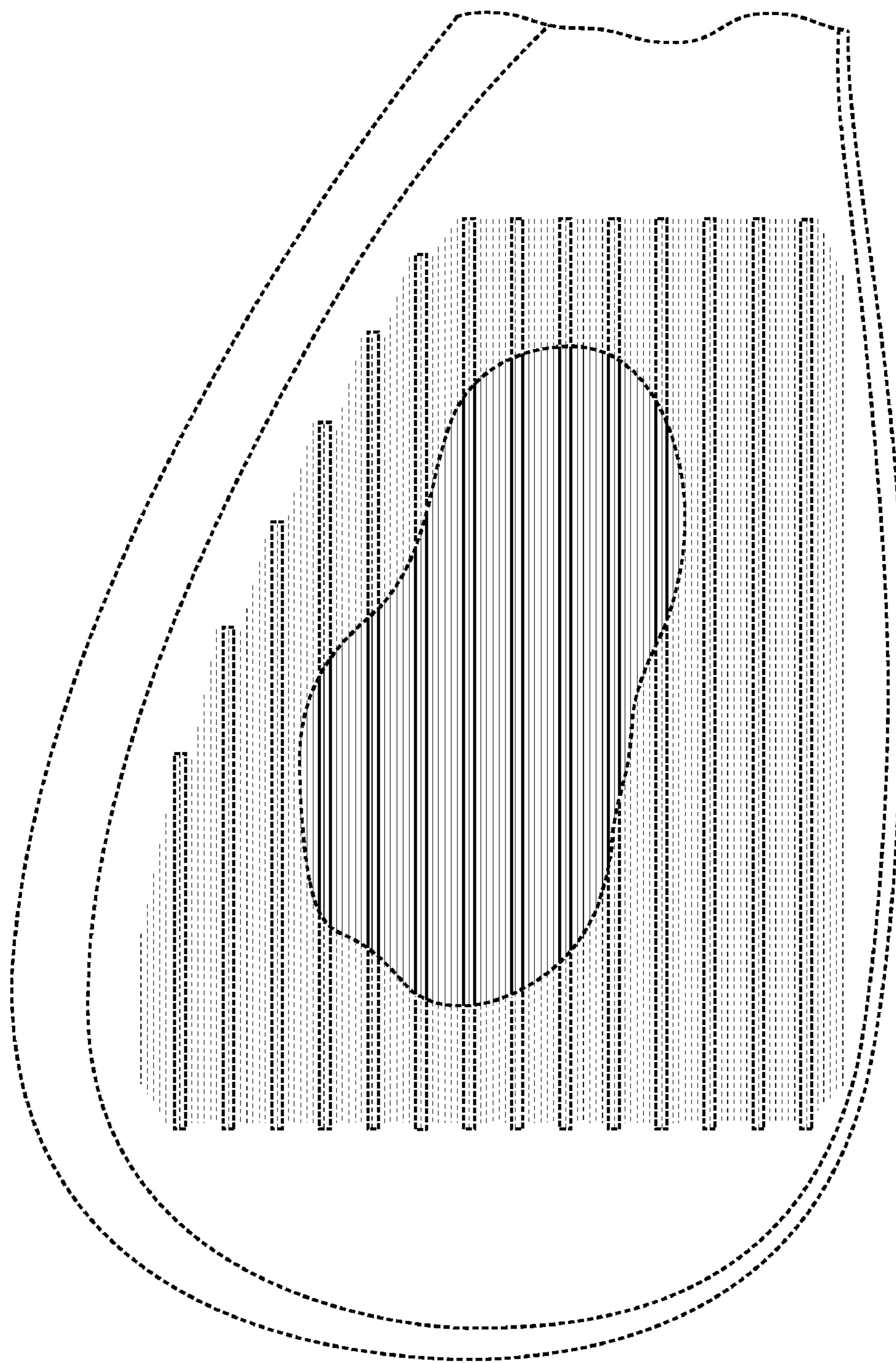


FIG. 1

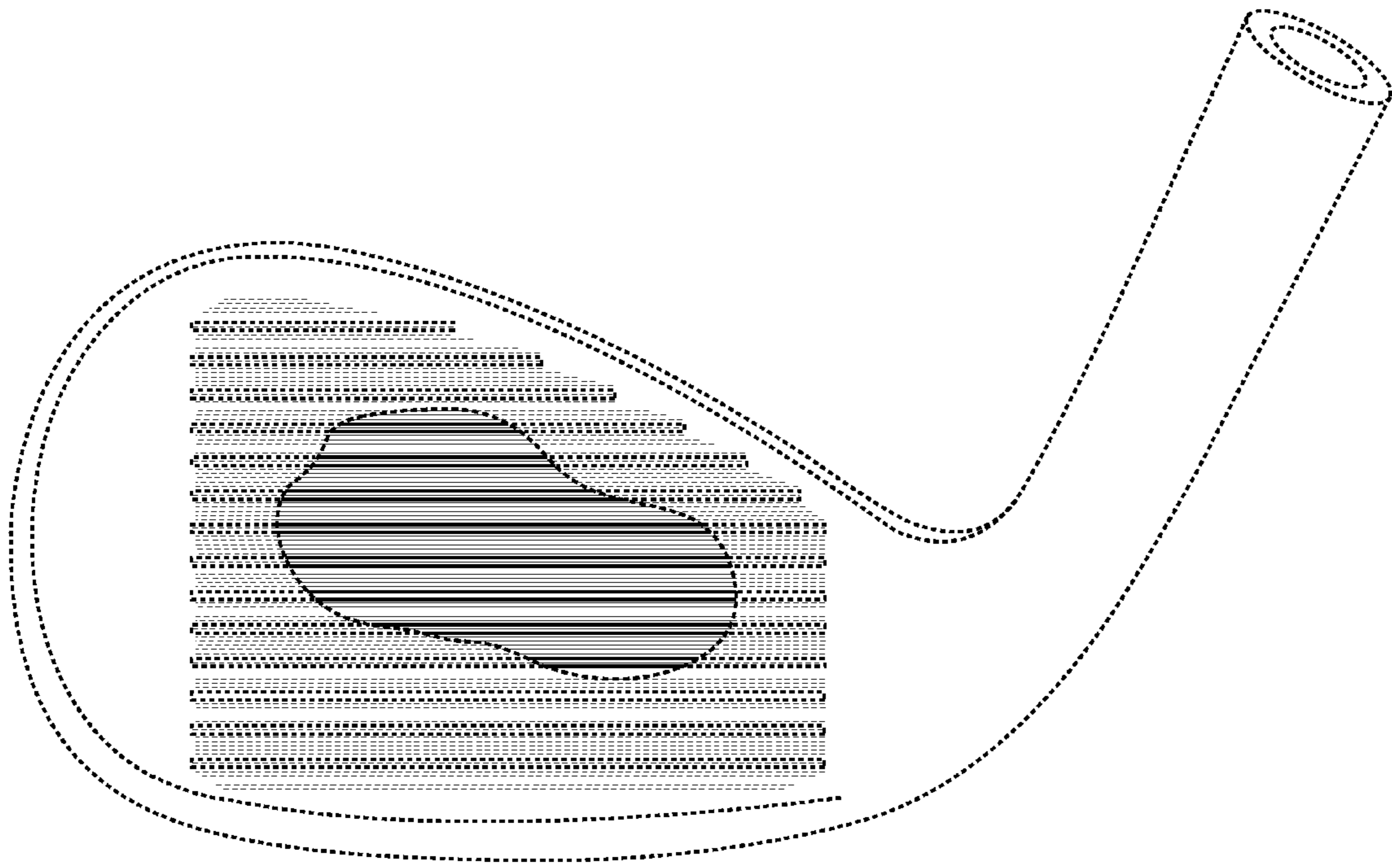


FIG. 2

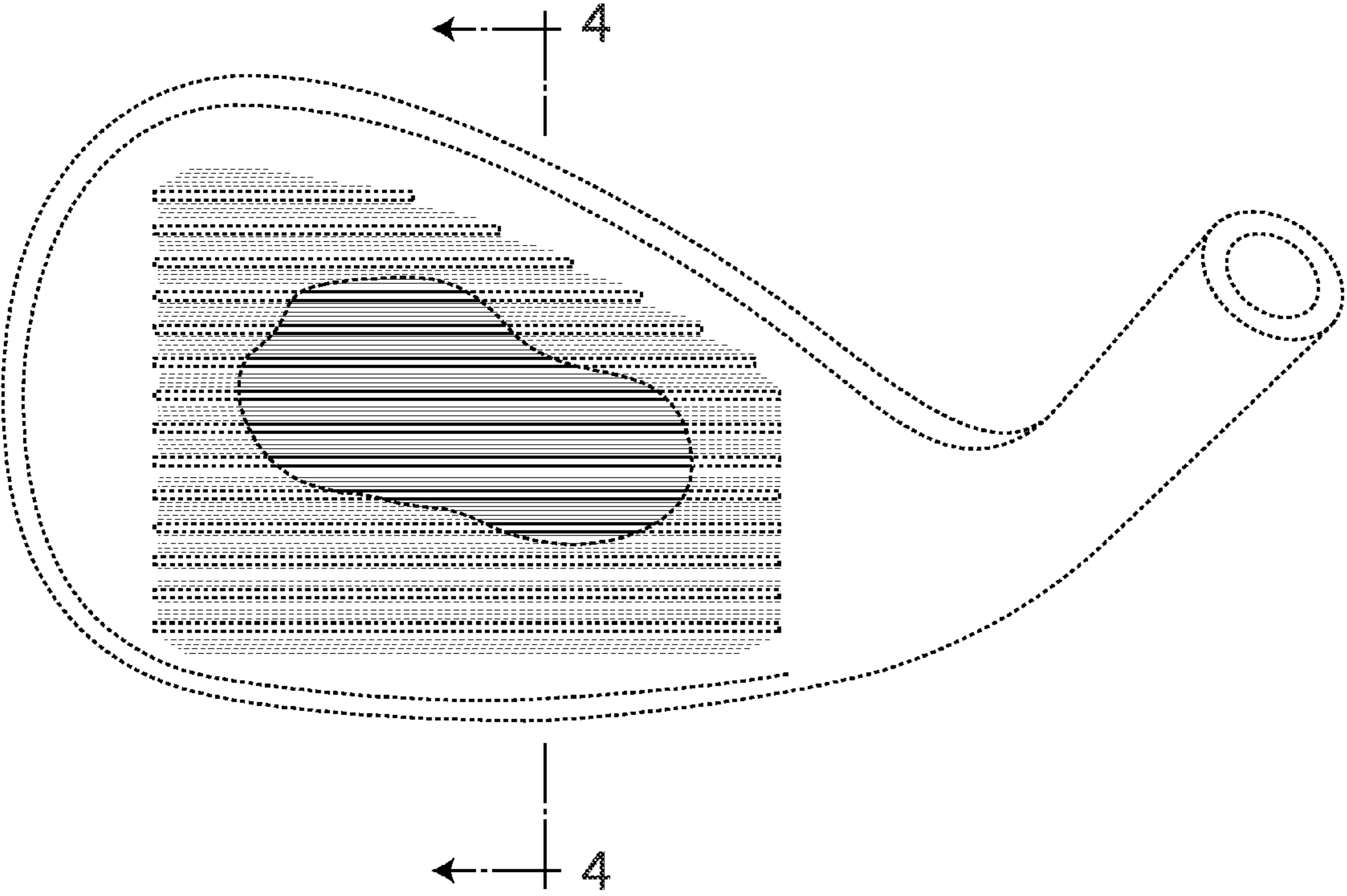


FIG. 3

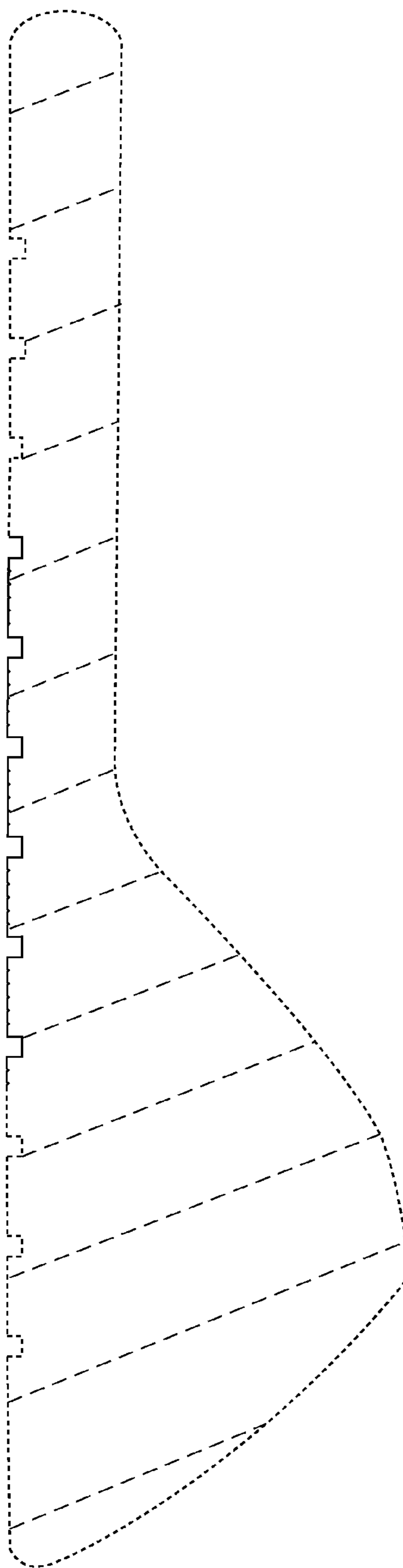


FIG. 4

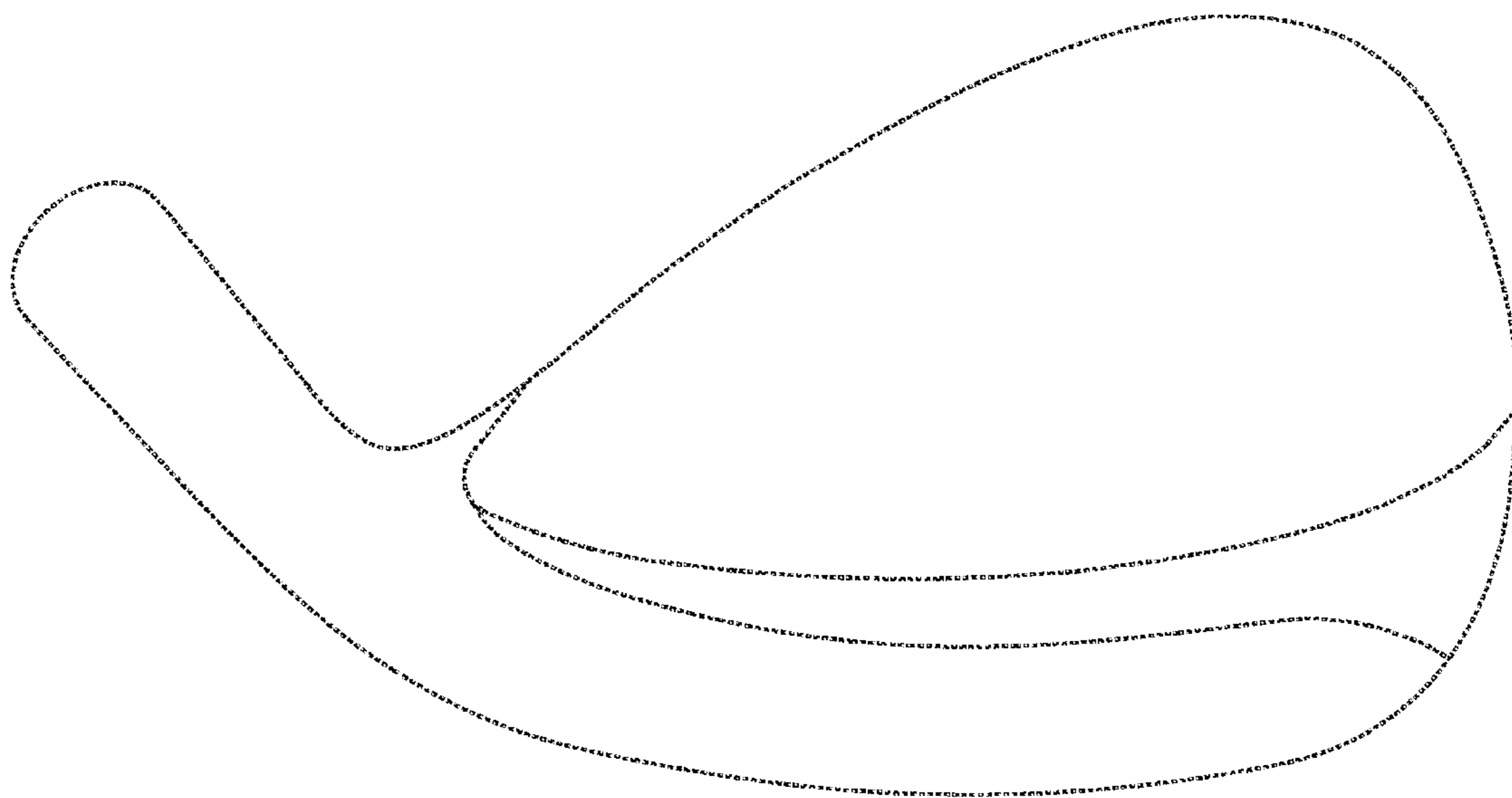


FIG. 5

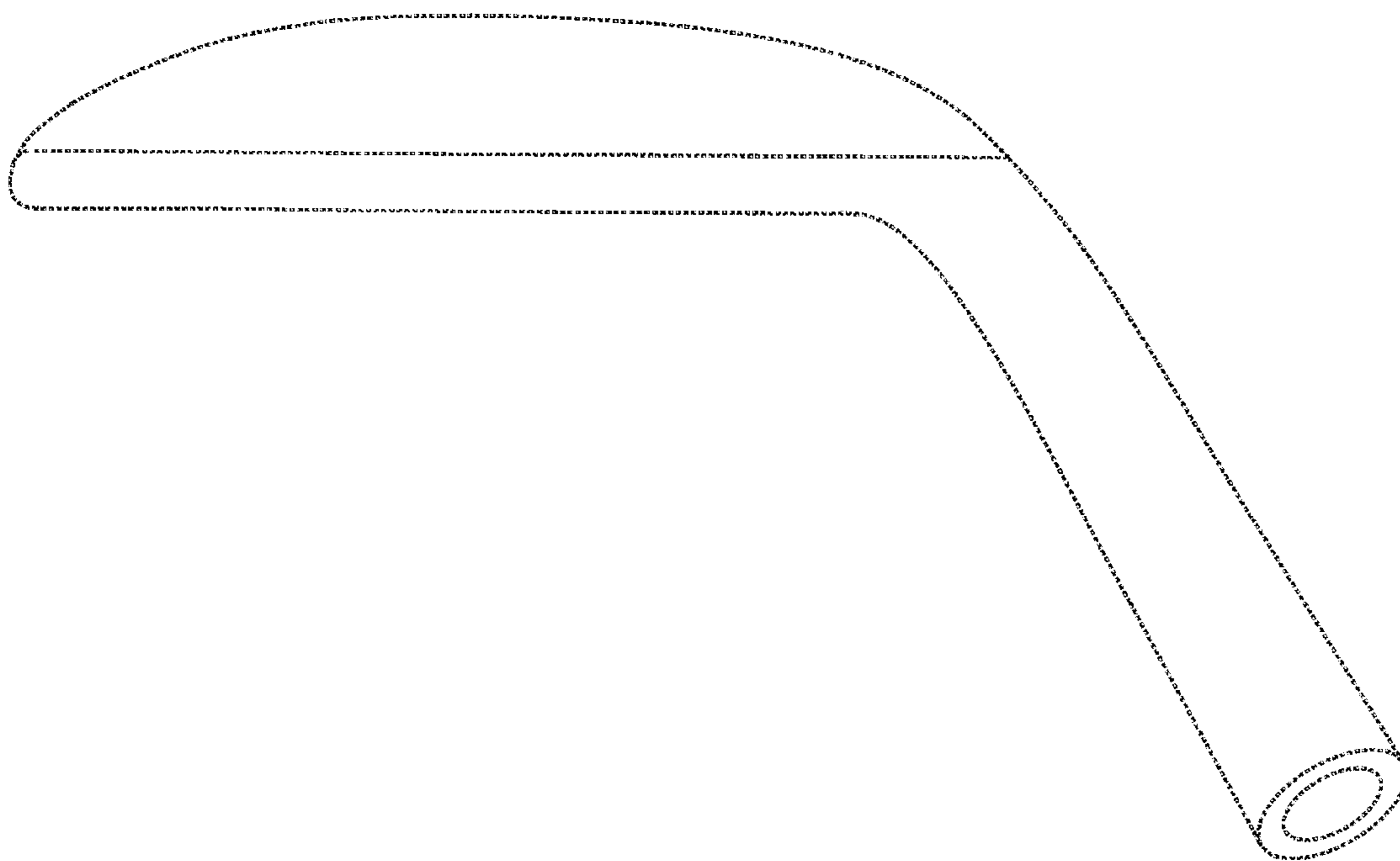


FIG. 6

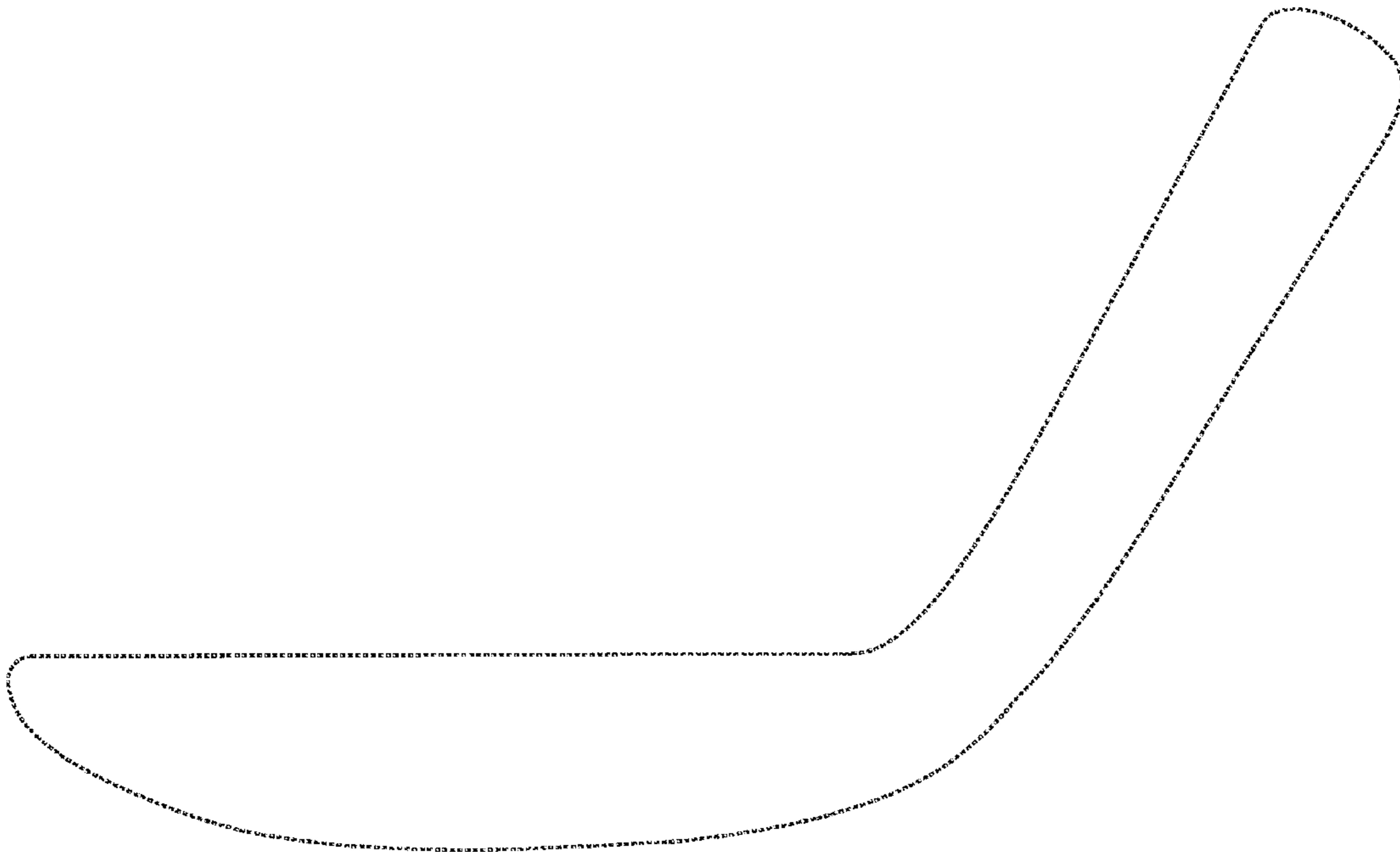


FIG. 7

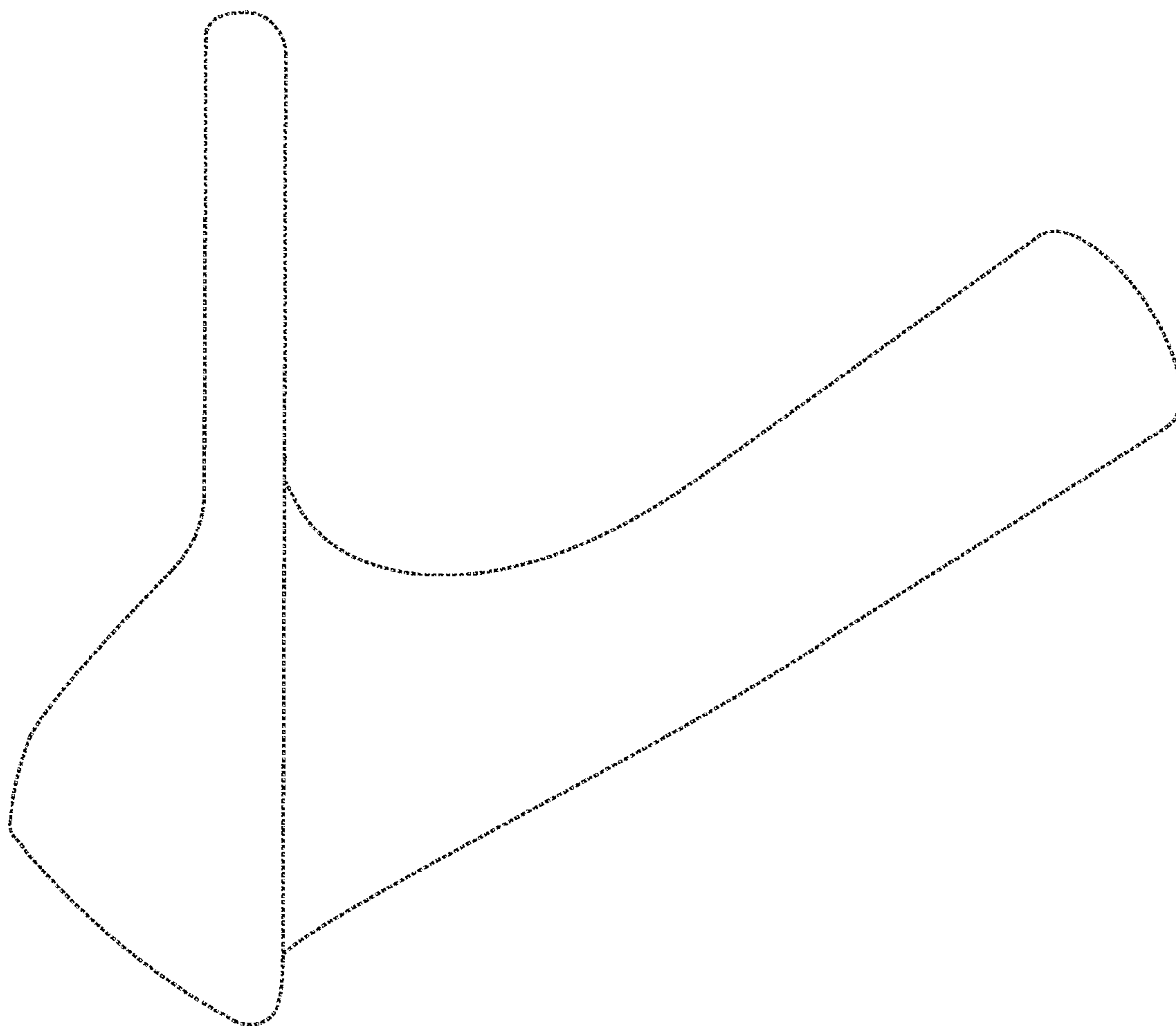


FIG. 8

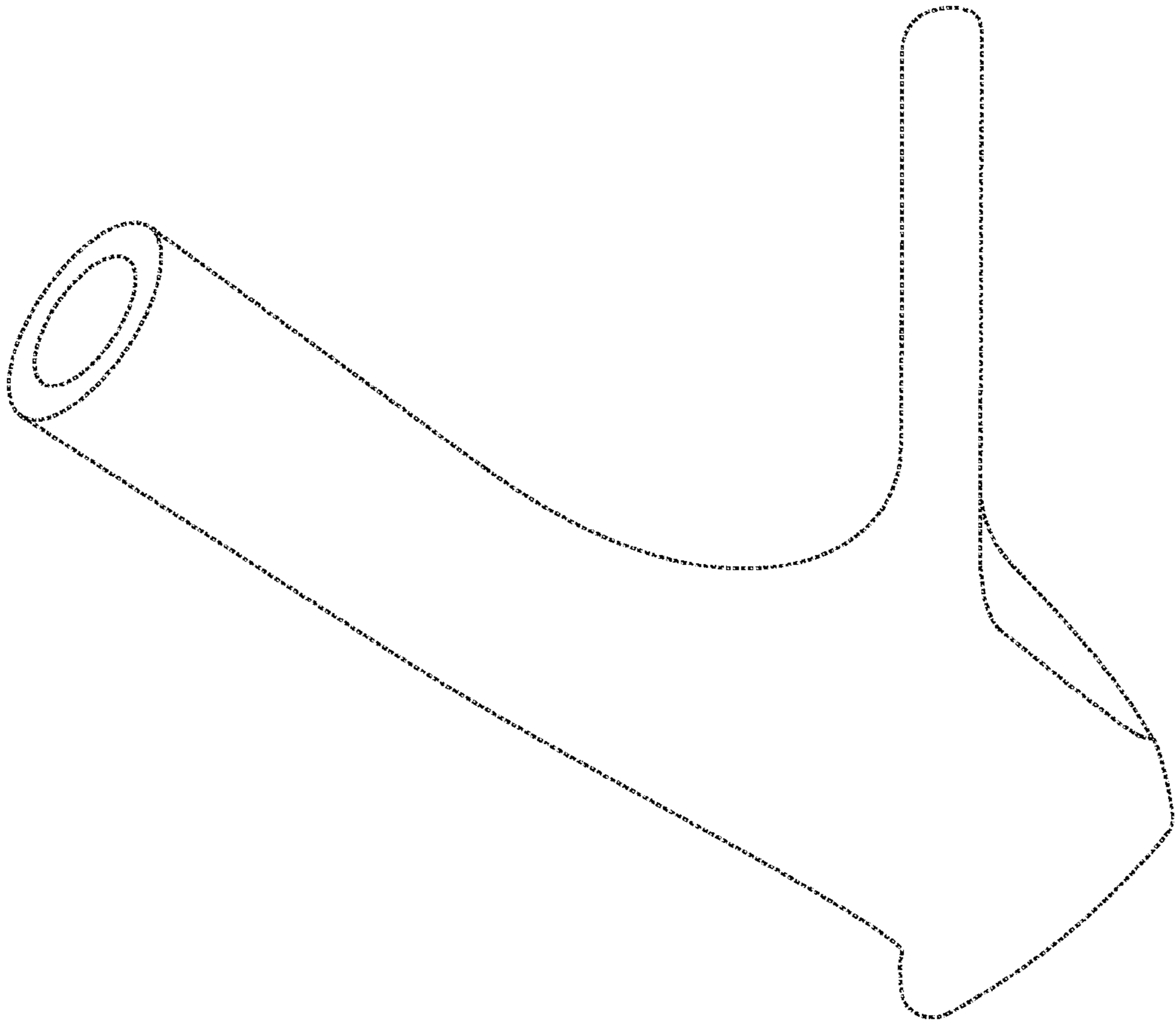


FIG. 9