



US00D633966S

(12) **United States Design Patent**
Savarese et al.

(10) **Patent No.:** **US D633,966 S**
(45) **Date of Patent:** **** Mar. 8, 2011**

(54) **GOLF CLUB TAG AND GRIP**

(75) Inventors: **Chris Savarese**, Danville, CA (US);
Noel H. C. Marshall, Gerringong (AU);
Susan McGill, Redwood City, CA (US);
Kenneth P. Gilliland, Petaluma, CA
(US)

(73) Assignee: **Radar Corporation**, San Ramon, CA
(US)

(**) Term: **14 Years**

(21) Appl. No.: **29/369,162**

(22) Filed: **Sep. 2, 2010**

Related U.S. Application Data

(62) Division of application No. 29/358,183, filed on Mar.
23, 2010, now Pat. No. Des. 627,021.

(51) **LOC (9) Cl.** **21-02**

(52) **U.S. Cl.** **D21/756**

(58) **Field of Classification Search** D21/789,
D21/793-794, 756-758, 460, 753; 473/285,
473/406, 300-303, 404, 407; 446/256; 340/368.6
See application file for complete search history.

(56) **References Cited**

U.S. PATENT DOCUMENTS

D32,791 S 7/1900 Smith
4,380,337 A * 4/1983 DiMatteo 473/285
D314,600 S * 2/1991 Tosti D21/756

D319,278 S * 8/1991 Tosti D21/756
D319,862 S 9/1991 Lahger
D360,447 S * 7/1995 Howe et al. D21/791
5,476,258 A 12/1995 Frisone
D379,394 S * 5/1997 Fortis D21/756
D410,518 S 6/1999 Didier et al.
6,118,376 A 9/2000 Regester
D432,197 S 10/2000 Carr
D450,364 S 11/2001 Kersten
D472,703 S 4/2003 Wampler
D523,507 S * 6/2006 Perry et al. D21/756
D523,512 S 6/2006 Rydzynski et al.

FOREIGN PATENT DOCUMENTS

GB 2440027 A 1/2008

* cited by examiner

Primary Examiner—Mitchell I Siegel

(74) *Attorney, Agent, or Firm*—Blakely, Sokoloff, Taylor &
Zafman LLP

(57) **CLAIM**

The ornamental design for a golf club tag and grip, as shown
and described.

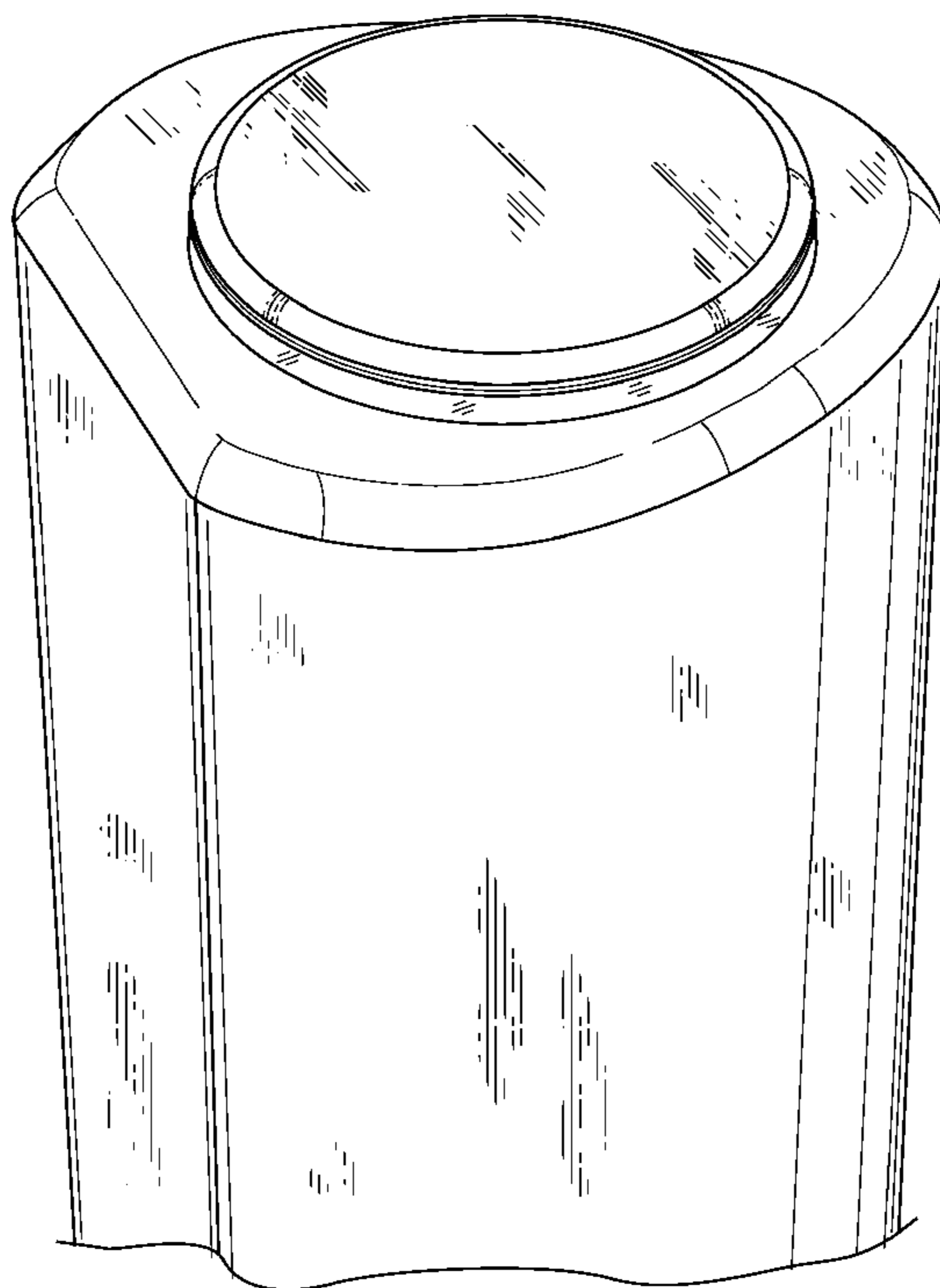
DESCRIPTION

FIG. 1 is a top plan view of the golf club tag and grip;

FIG. 2 is an elevational view taken on line 2—2 of FIG. 1, the
fragmented grip is shown cross-section for clarity of illustration;
and,

FIG. 3 is a top perspective view of the golf club tag and grip.

1 Claim, 2 Drawing Sheets



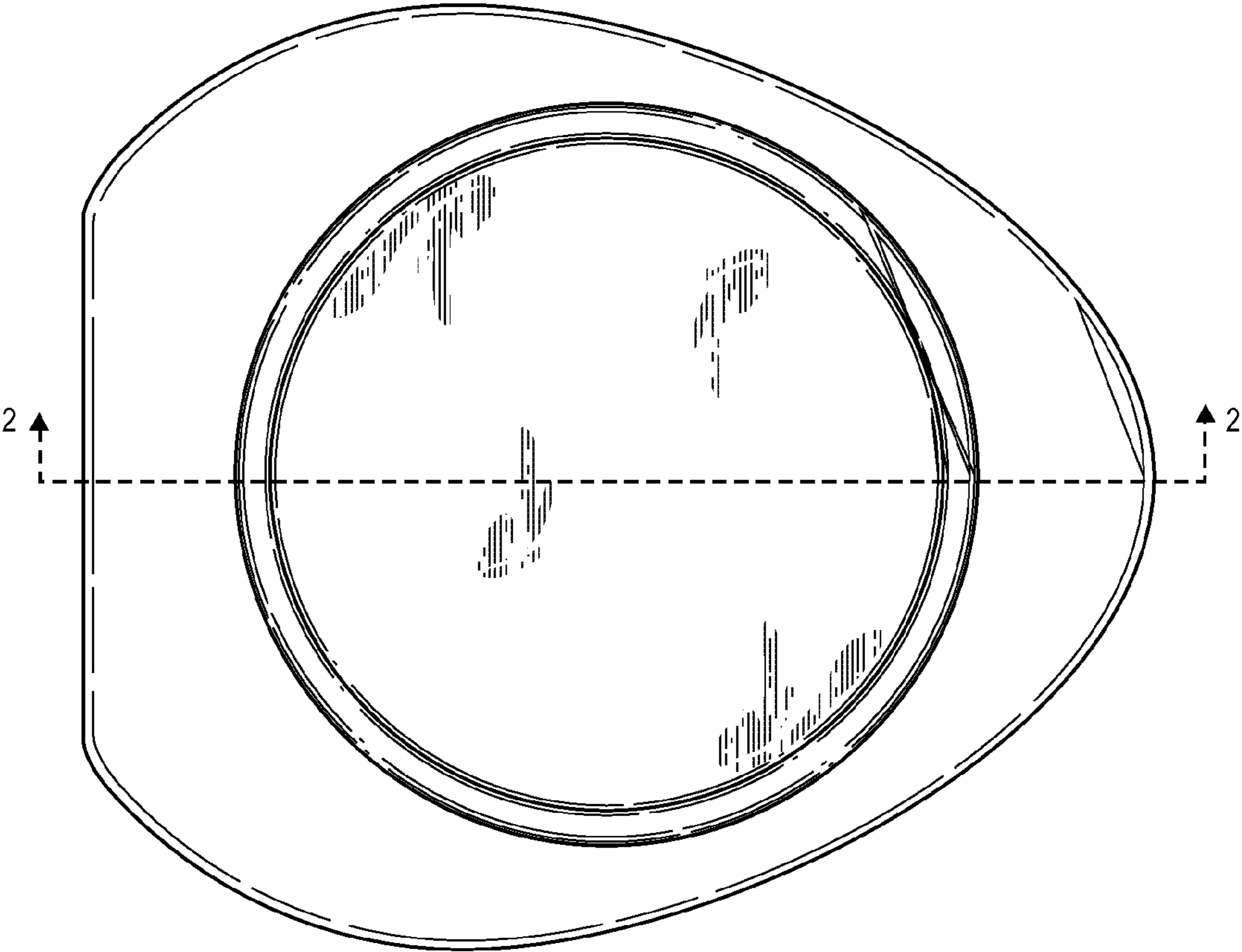


FIG. 1

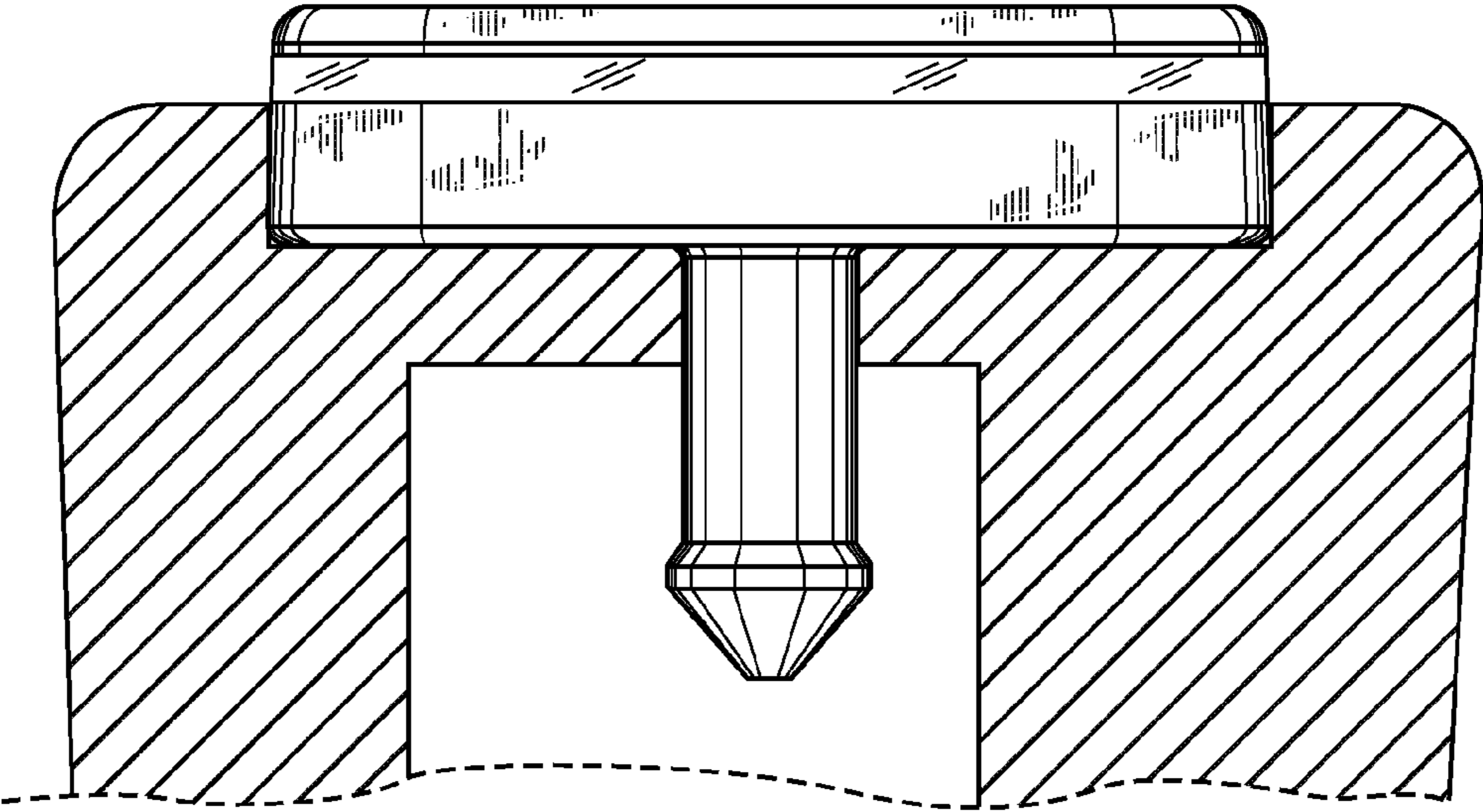


FIG. 2

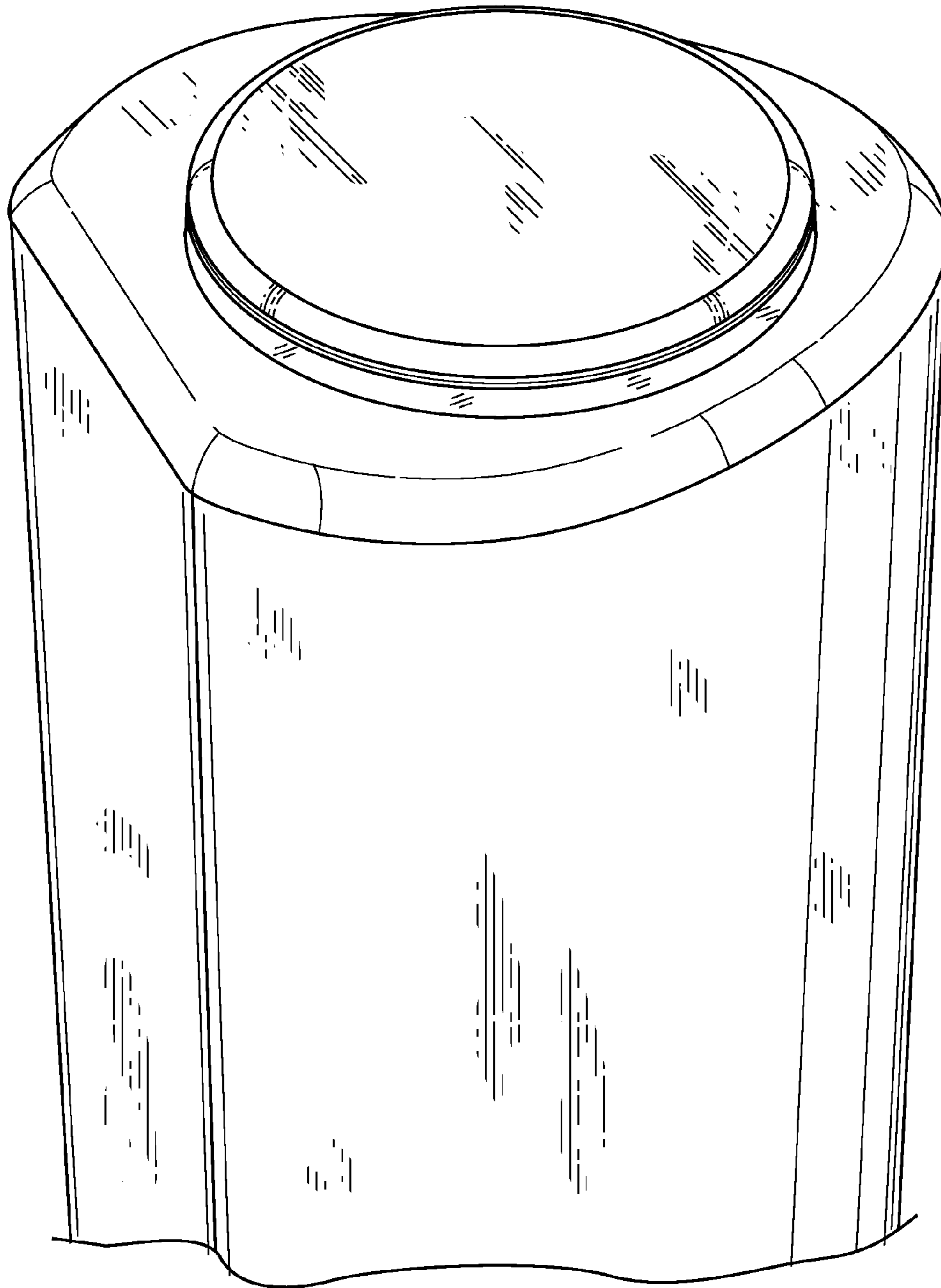


FIG.3