



US00D633964S

(12) **United States Design Patent**  
**Teramoto**

(10) **Patent No.:** **US D633,964 S**  
(45) **Date of Patent:** **\*\* Mar. 8, 2011**

(54) **GOLF CLUB HEAD**

(75) Inventor: **Seiichiro Teramoto**, Yukuhashi (JP)  
(73) Assignee: **Aneeing Golf Ltd.**, Chiyoda-ku, Tokyo (JP)

(\*\*) Term: **14 Years**

(21) Appl. No.: **29/359,008**

(22) Filed: **Apr. 5, 2010**

(51) **LOC (9) Cl.** ..... **21-02**

(52) **U.S. Cl.** ..... **D21/743**

(58) **Field of Classification Search** ..... D21/736-746;  
473/324-331, 251-256, 340-341

See application file for complete search history.

(56) **References Cited**

**U.S. PATENT DOCUMENTS**

D248,783 S *	8/1978	Long	.....	D21/741
D275,981 S *	10/1984	Duclos	.....	D21/746
4,508,350 A *	4/1985	Duclos	.....	473/254
D313,451 S *	1/1991	Shearer	.....	D21/743
D325,950 S *	5/1992	Duran	.....	D21/744
D386,233 S *	11/1997	Fahy et al.	.....	D21/743
D599,867 S *	9/2009	Teramoto	.....	D21/736

D607,951 S \* 1/2010 Teramoto ..... D21/736

\* cited by examiner

*Primary Examiner*—Mitchell I Siegel

(74) *Attorney, Agent, or Firm*—Yokoi & Co., U.S.A., Inc.;  
Toshiyuki Yokoi

(57) **CLAIM**

The ornamental design for a golf club head, as shown and described.

**DESCRIPTION**

FIG. 1 shows a front view of a golf club head showing my new design;

FIG. 2 shows a rear view thereof;

FIG. 3 shows a right side view thereof;

FIG. 4 shows a left side view thereof;

FIG. 5 shows a top view thereof;

FIG. 6 shows a bottom view thereof;

FIG. 7 shows a top, front and right side perspective view thereof;

FIG. 8 shows a top, rear and left side perspective view thereof; and,

FIG. 9 shows an enlarged cross-sectional view thereof, taken along line 9—9 in FIG. 6.

**1 Claim, 5 Drawing Sheets**

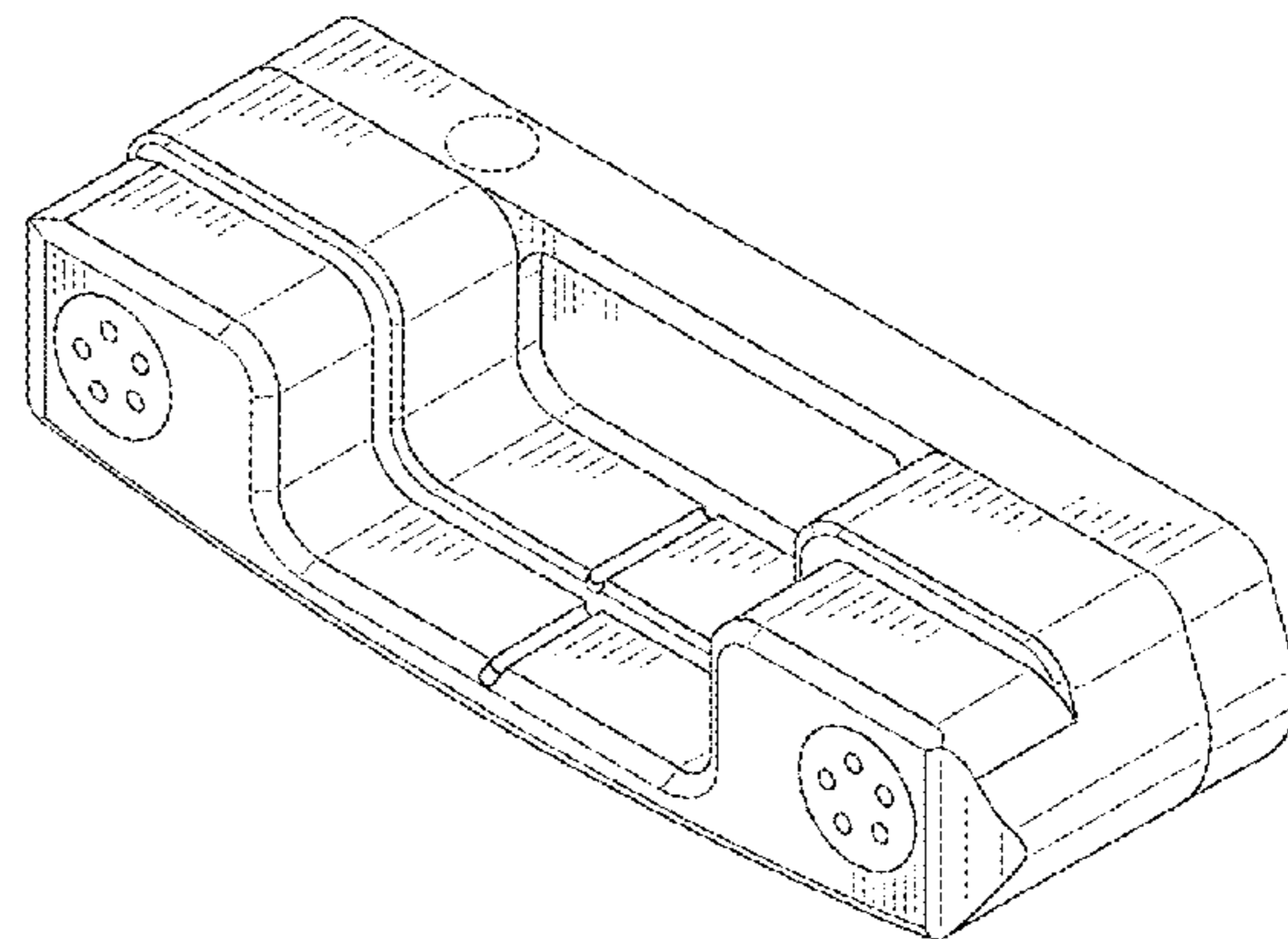
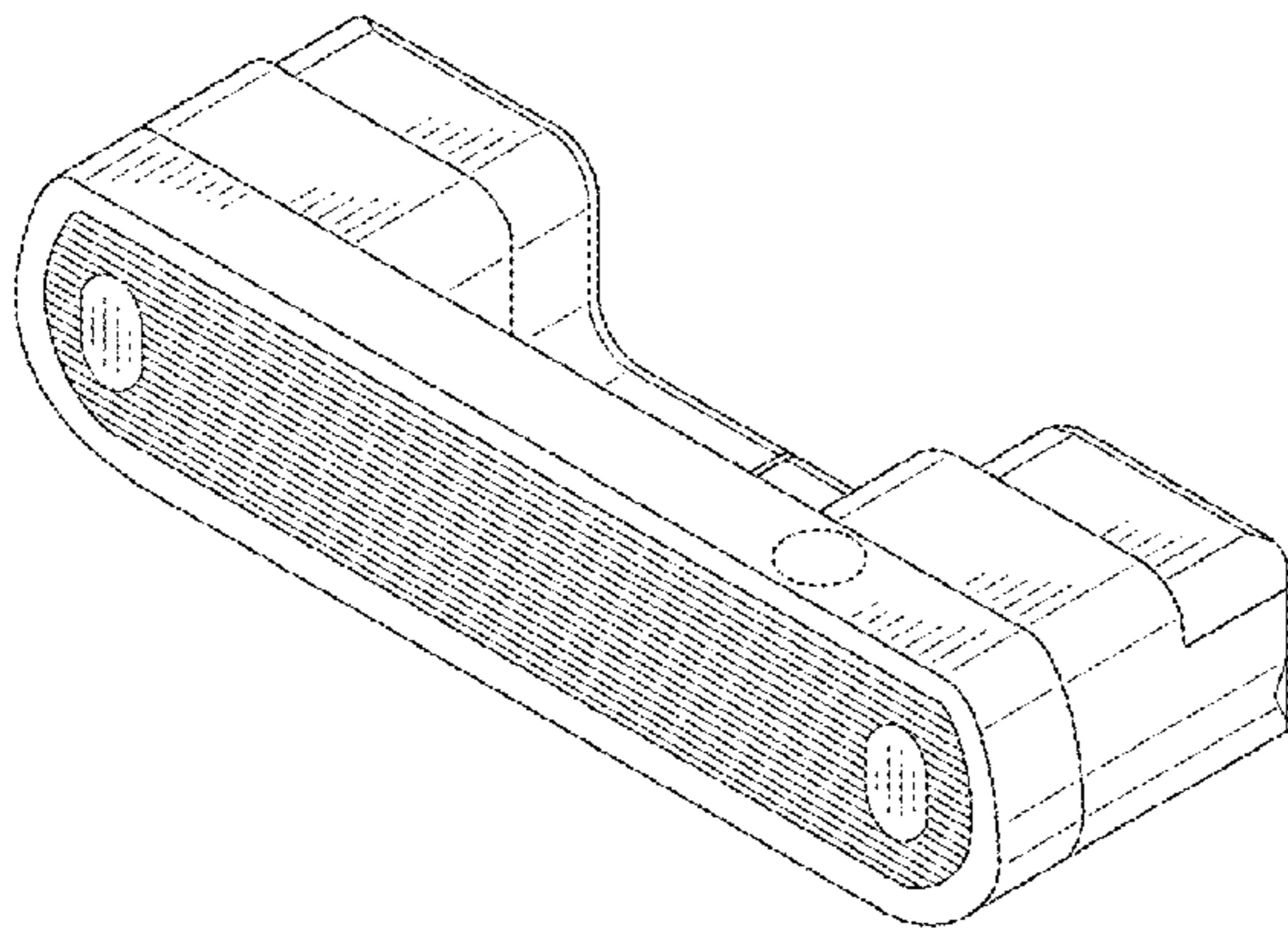


FIG. 1

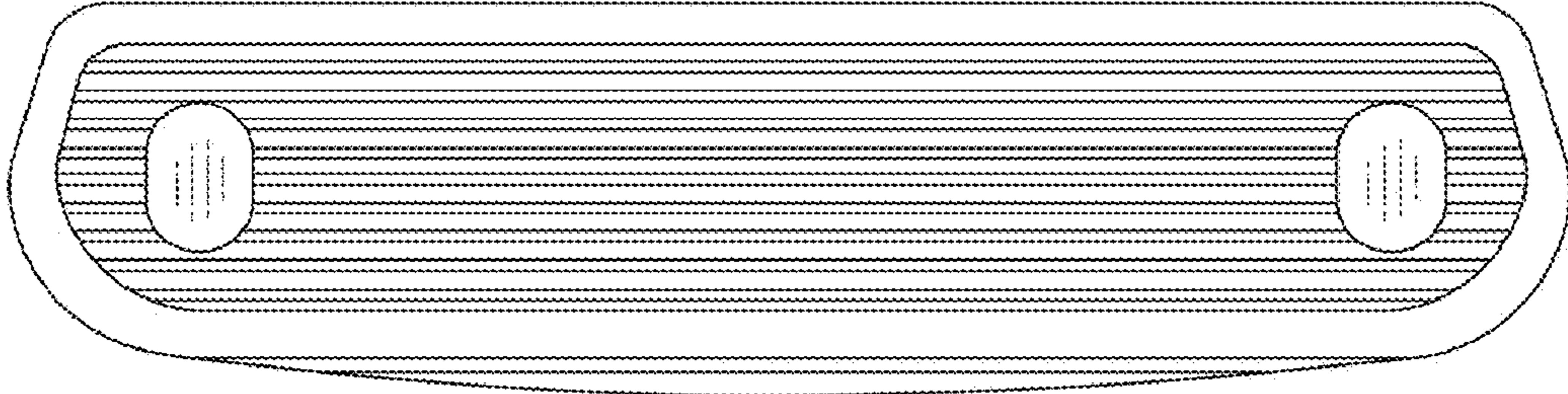


FIG. 2

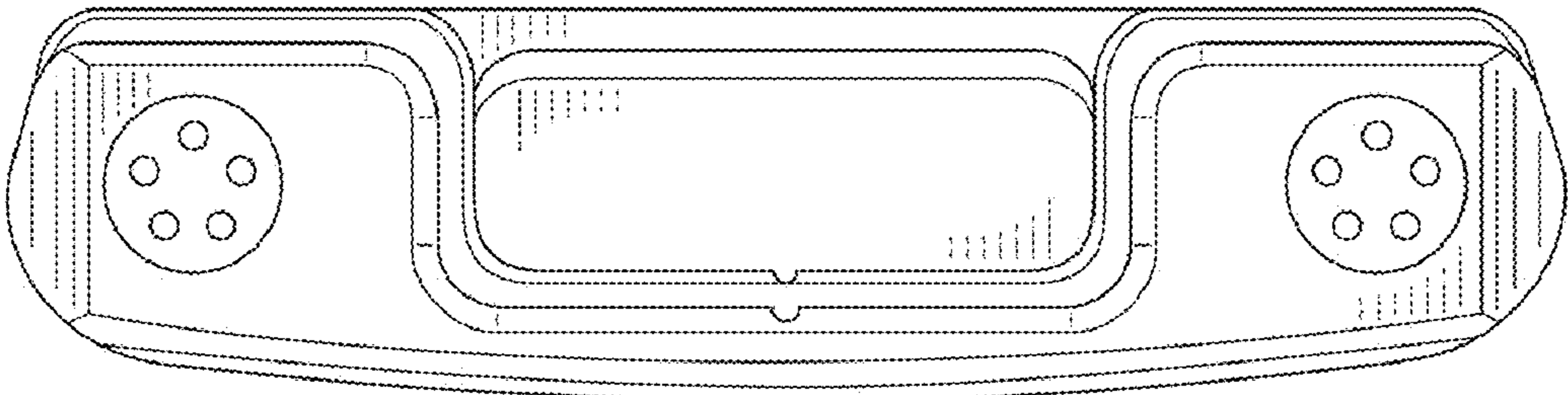


FIG. 3

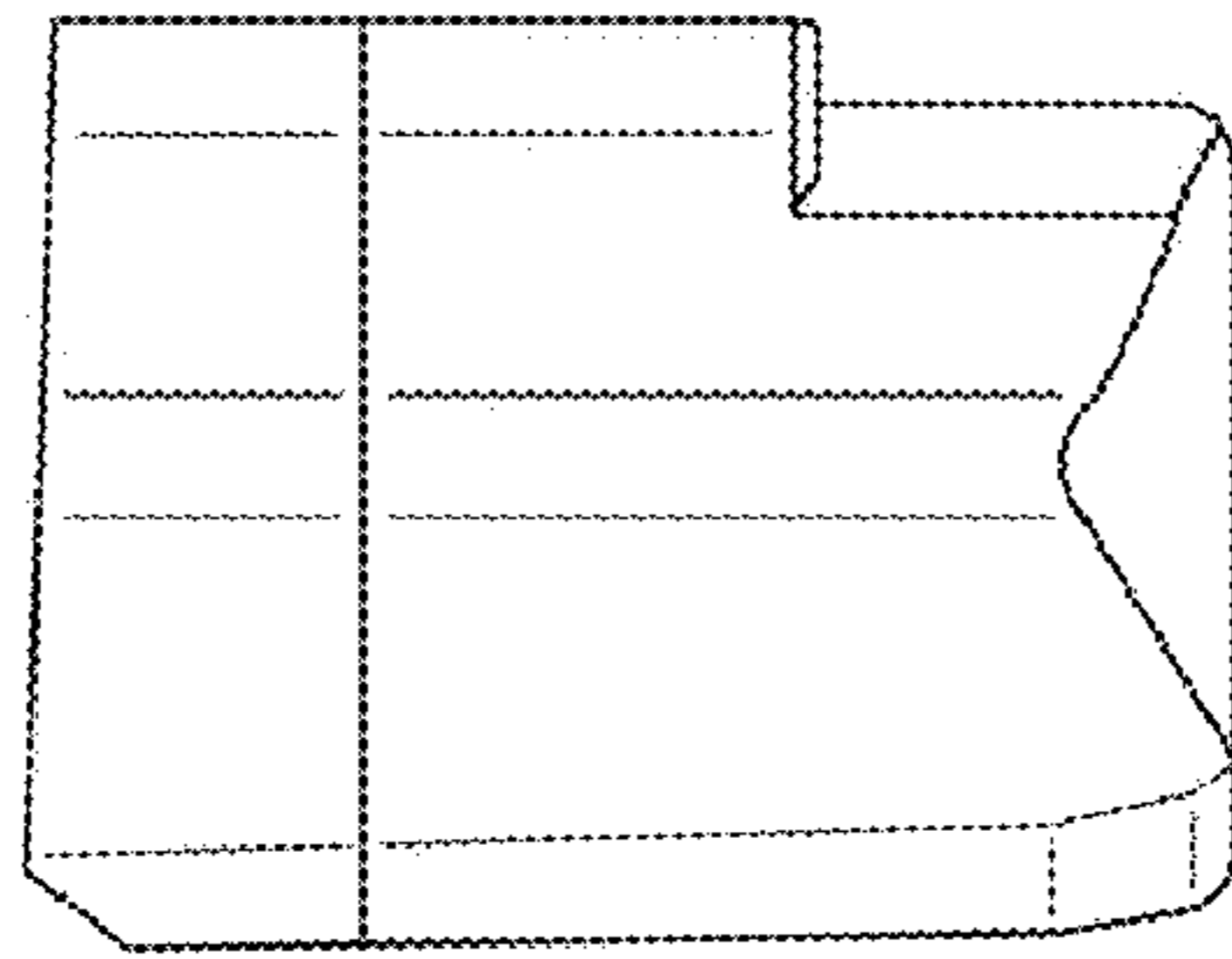


FIG. 4

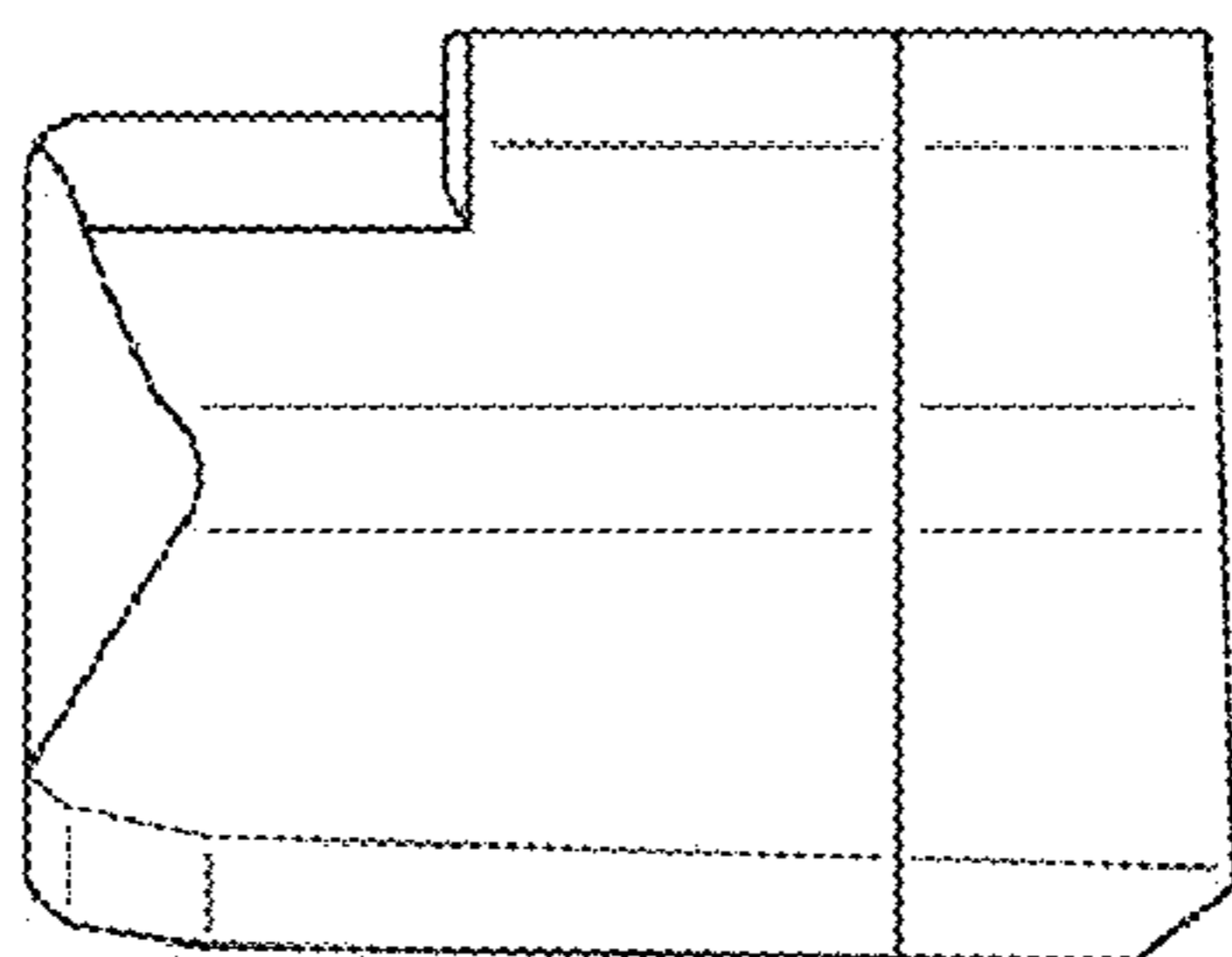


FIG. 5

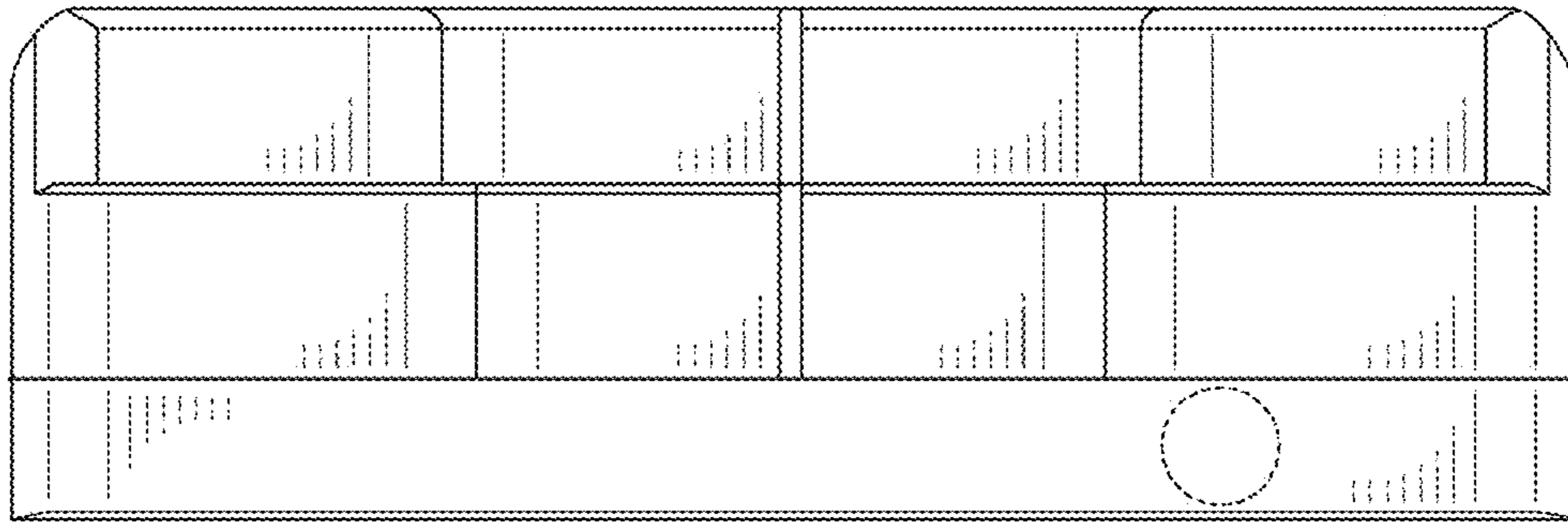


FIG. 6

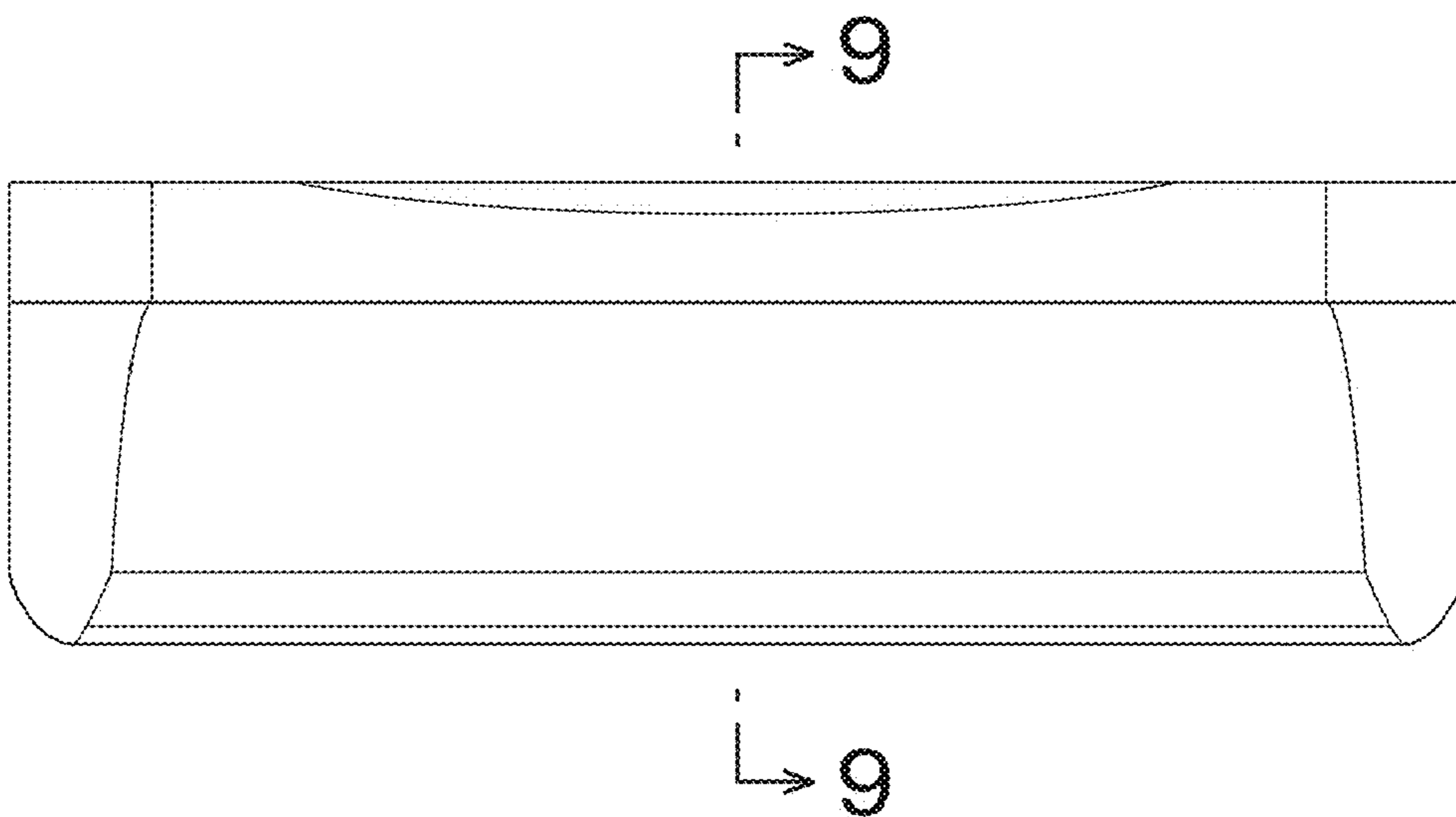


FIG. 7

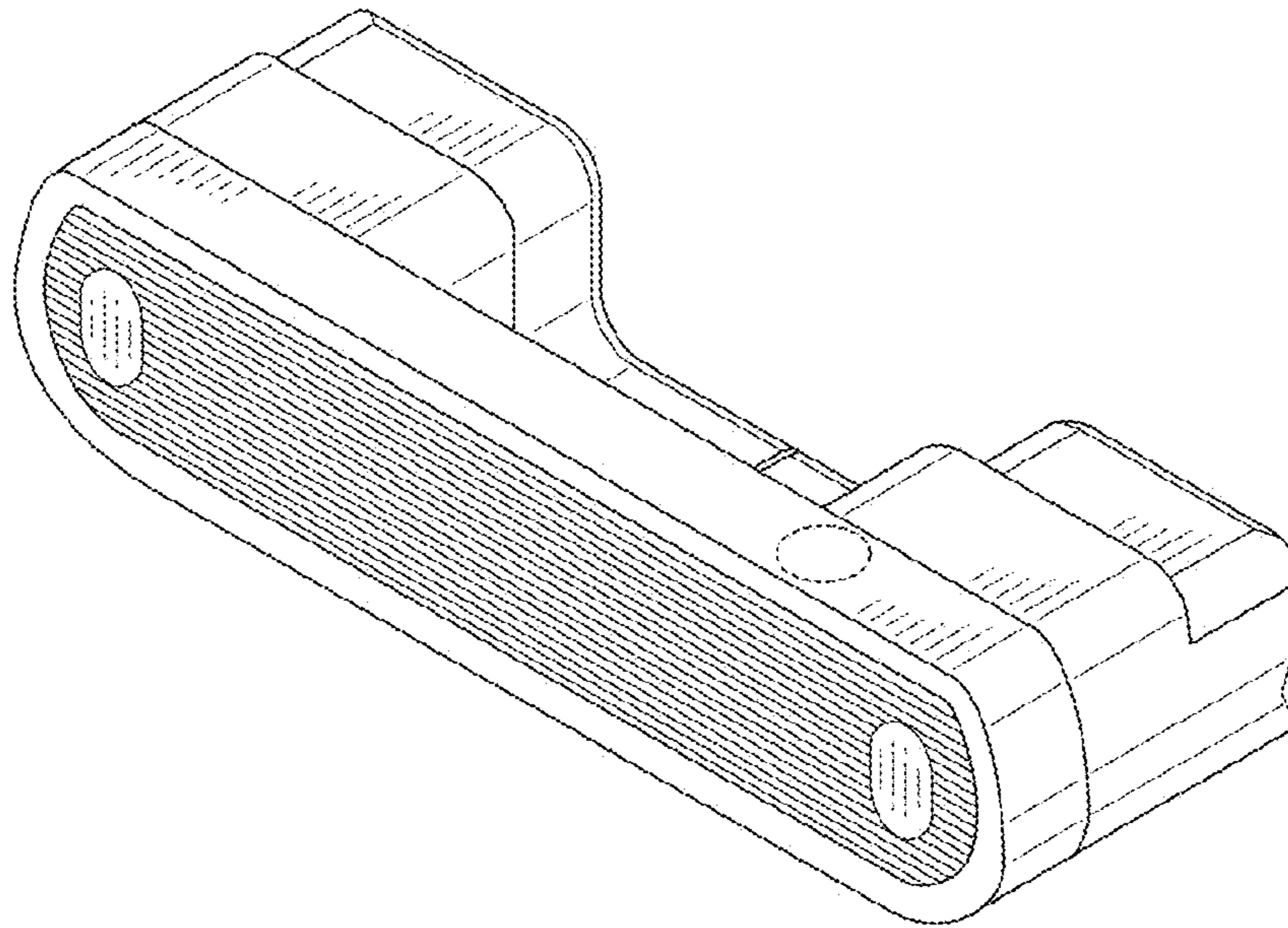


FIG. 8

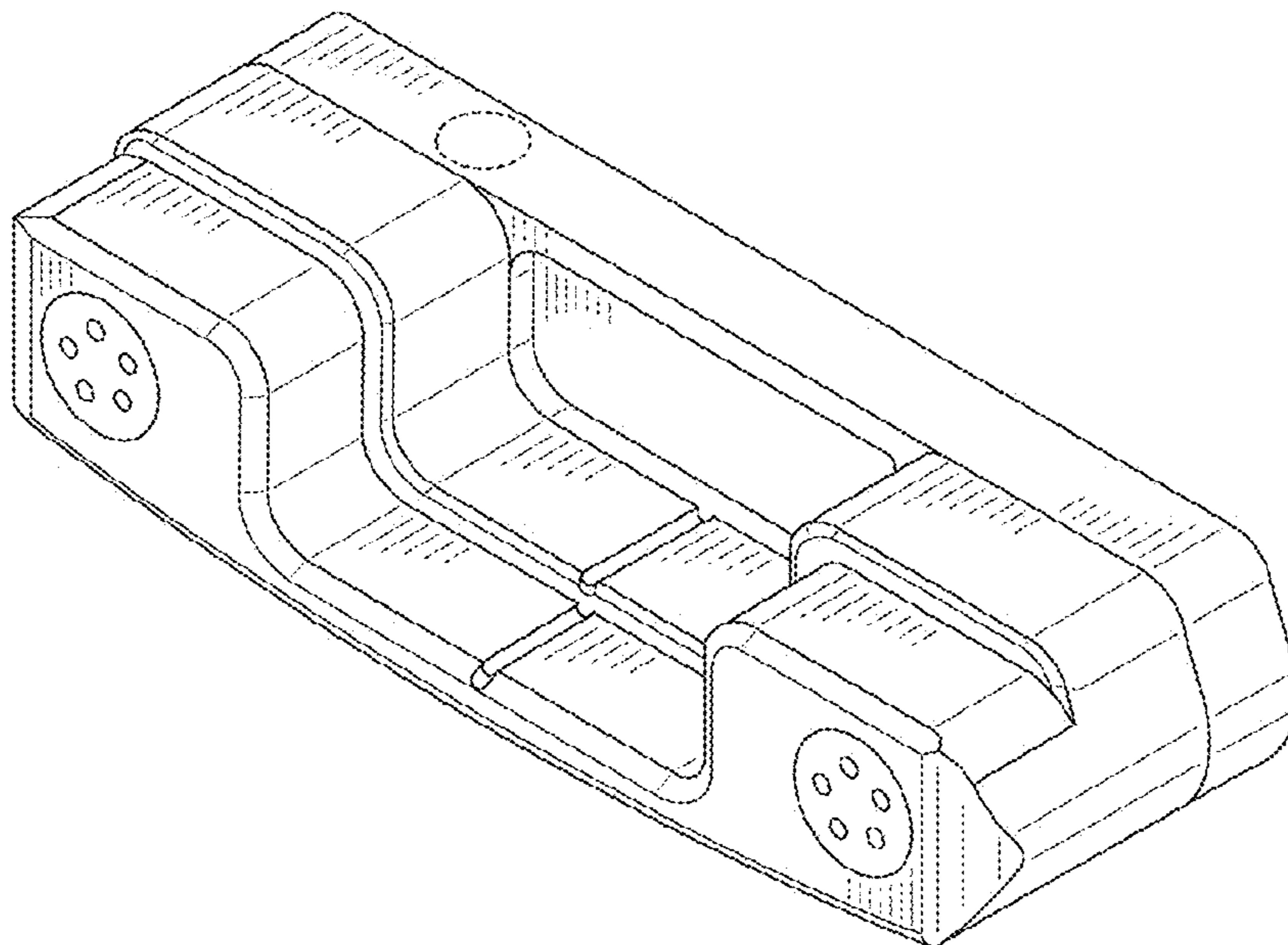


FIG. 9

