



US00D633962S

(12) **United States Design Patent**
Stacey

(10) **Patent No.:** **US D633,962 S**

(45) **Date of Patent:** **** Mar. 8, 2011**

(54) **EXERCISE APPARATUS**

(76) Inventor: **Richard J. Stacey**, Richmond Hill (CA)

(**) Term: **14 Years**

(21) Appl. No.: **29/368,620**

(22) Filed: **Aug. 26, 2010**

(51) **LOC (9) Cl.** **21-02**

(52) **U.S. Cl.** **D21/691**

(58) **Field of Classification Search** D21/662,
D21/679, 691, 686, 694, 797; 482/37, 38-41,
482/91, 95, 96, 123, 130, 140-142
See application file for complete search history.

(56) **References Cited**

U.S. PATENT DOCUMENTS

3,521,881	A *	7/1970	Schaevitz	482/142
D267,419	S *	12/1982	Komarnicki	D21/691
D277,400	S *	1/1985	Inoue	D21/691
D314,025	S *	1/1991	Shimer	D21/691
D324,708	S *	3/1992	Walsh	D21/691

5,169,362	A *	12/1992	Schwartz	482/96
D339,835	S *	9/1993	Hsieh	D21/691
5,407,404	A *	4/1995	Killian et al.	482/38
D503,757	S *	4/2005	Sjurdagardi	D21/691
7,144,353	B2 *	12/2006	Sjuragari	482/142
D578,582	S *	10/2008	Gomez	D21/686

* cited by examiner

Primary Examiner — Susan E Krakower

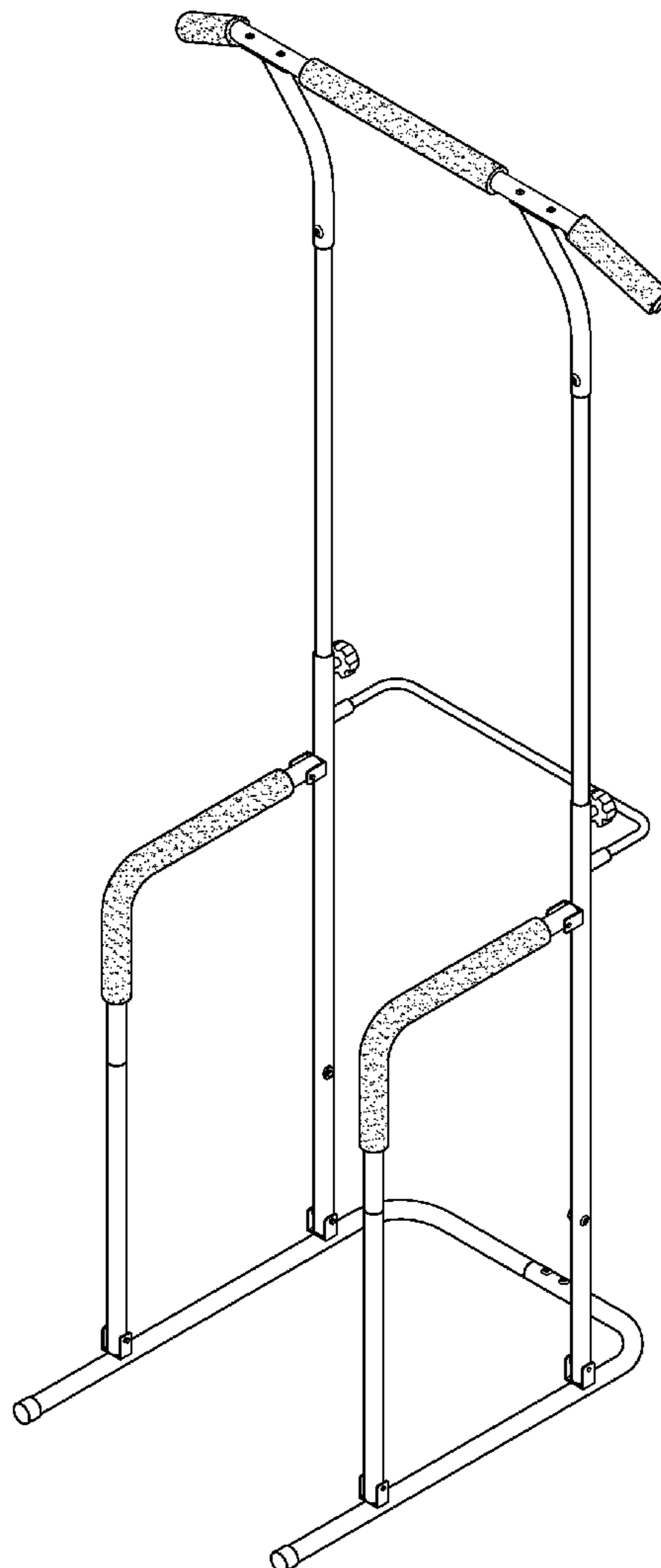
(57) **CLAIM**

The ornamental design for an exercise apparatus, as shown.

DESCRIPTION

FIG. 1 is a front right perspective view of an exercise apparatus showing our new design;
FIG. 2 is a front elevational view thereof;
FIG. 3 is a rear elevational view thereof;
FIG. 4 is a left side elevational view thereof;
FIG. 5 is a right side elevational view thereof;
FIG. 6 is top plan view thereof; and,
FIG. 7 is a bottom plan view thereof.

1 Claim, 6 Drawing Sheets



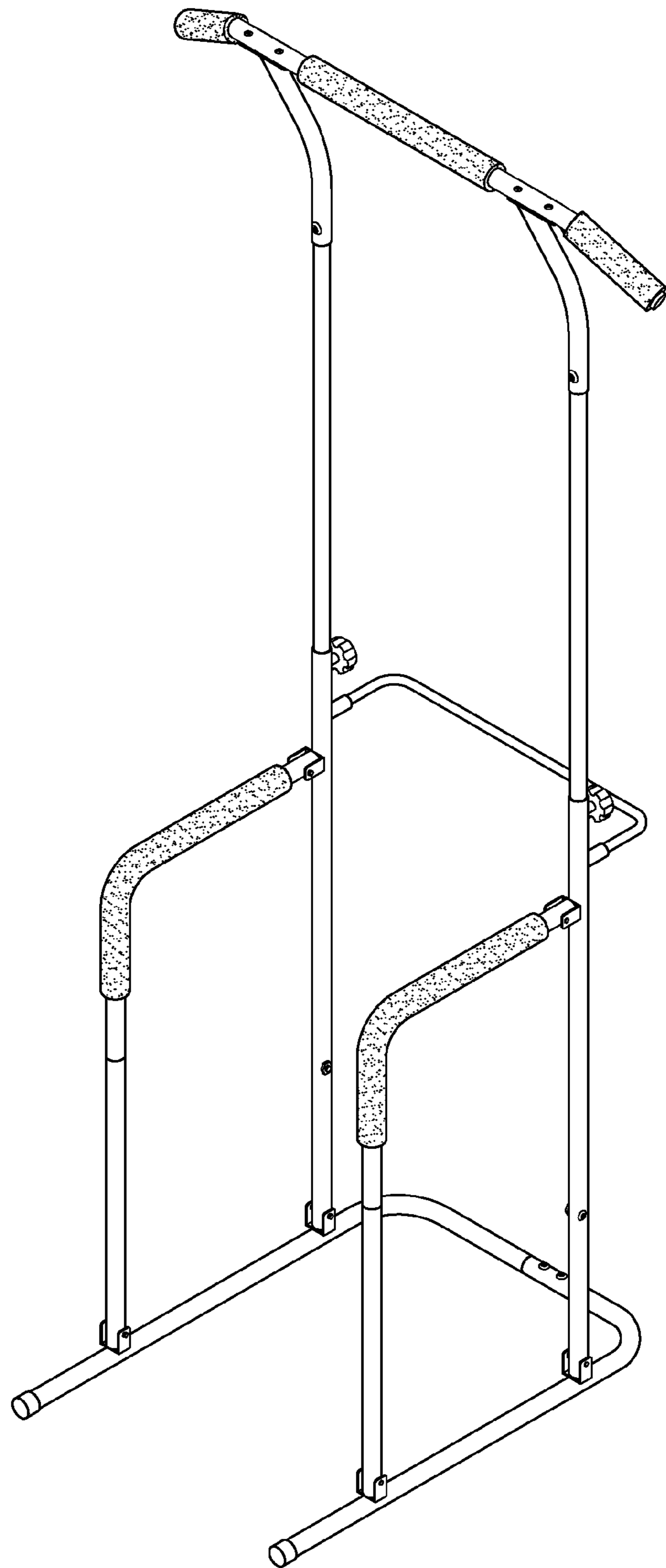


FIG. 1

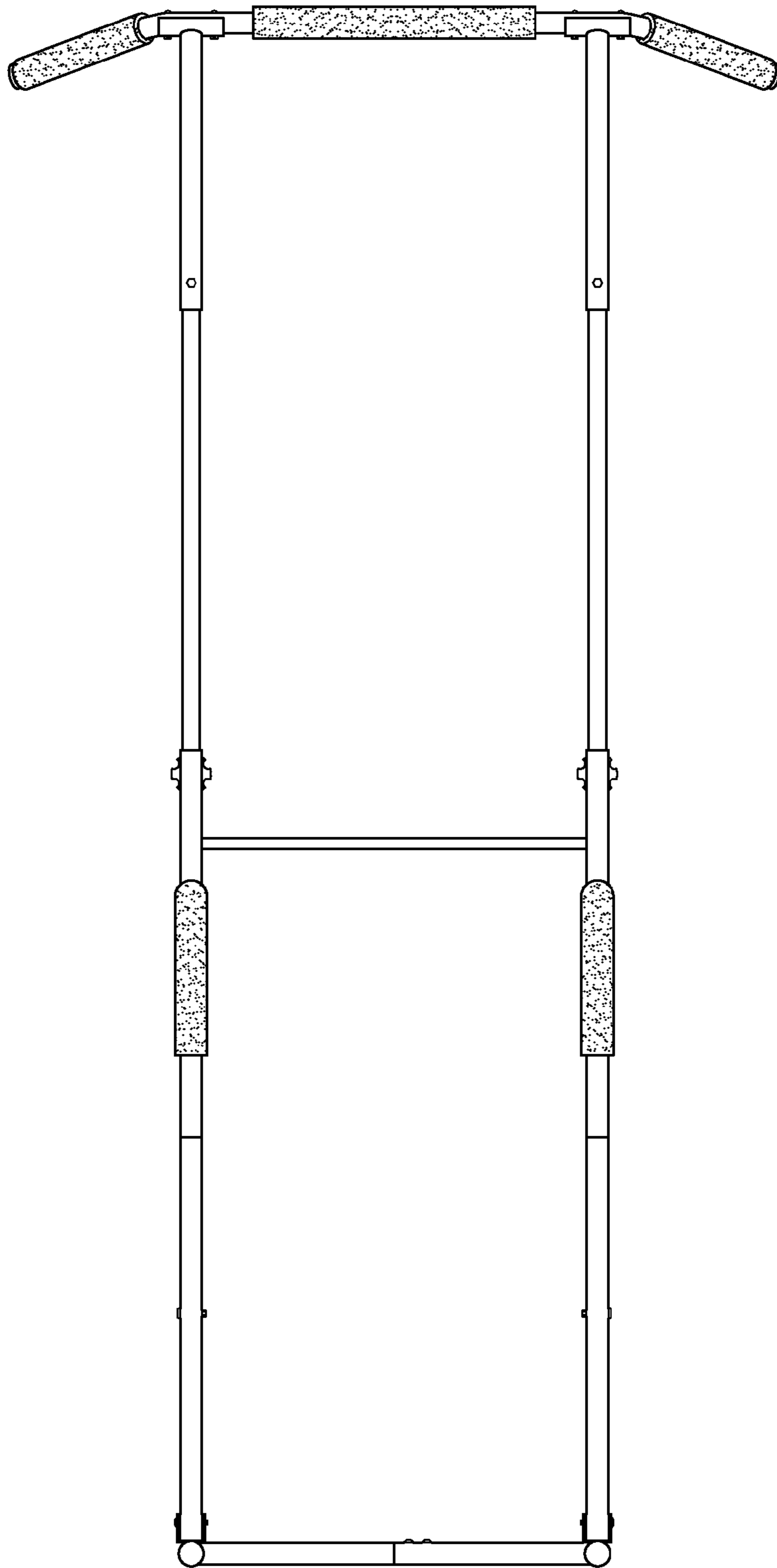


FIG. 2

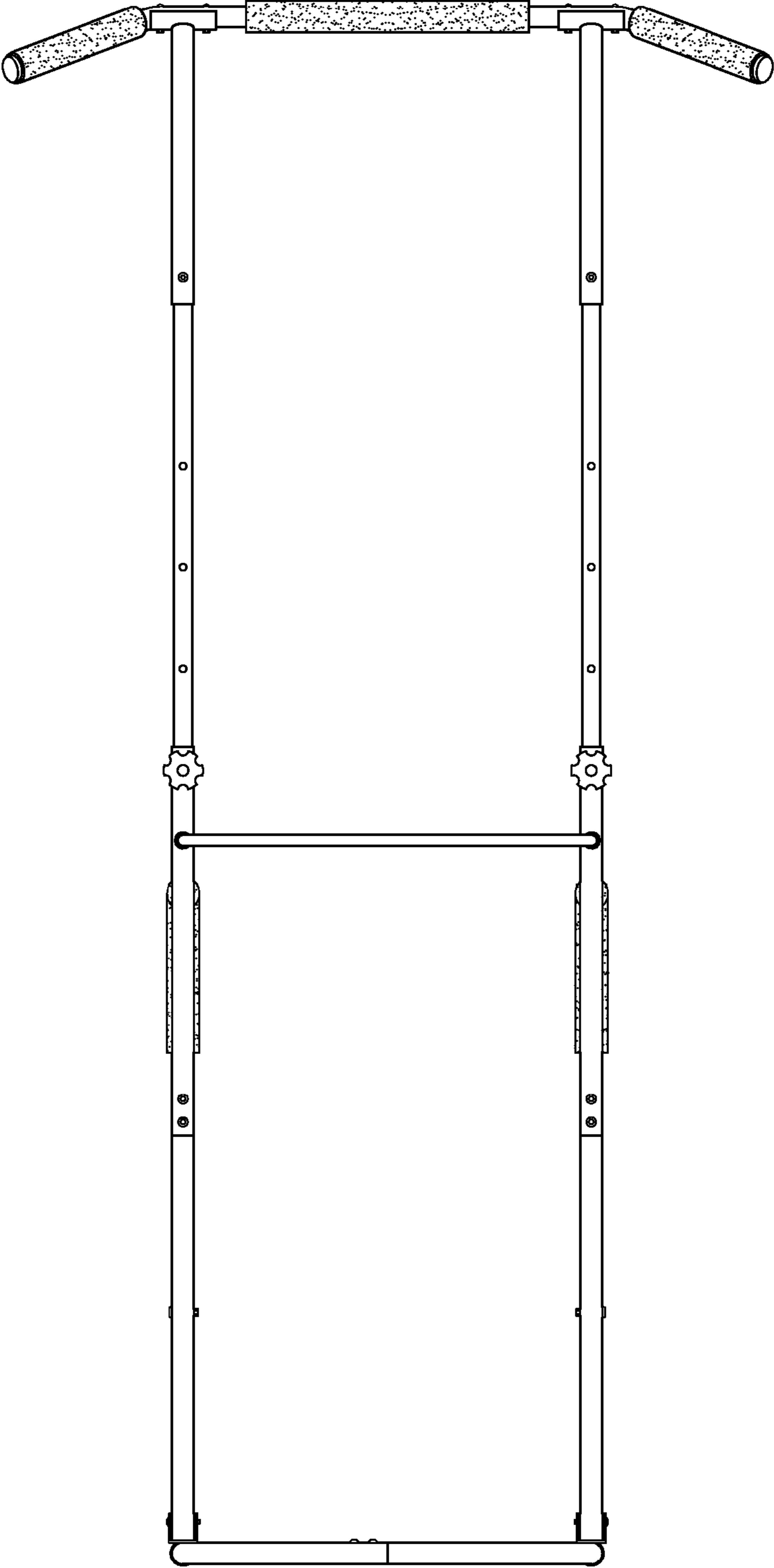


FIG. 3

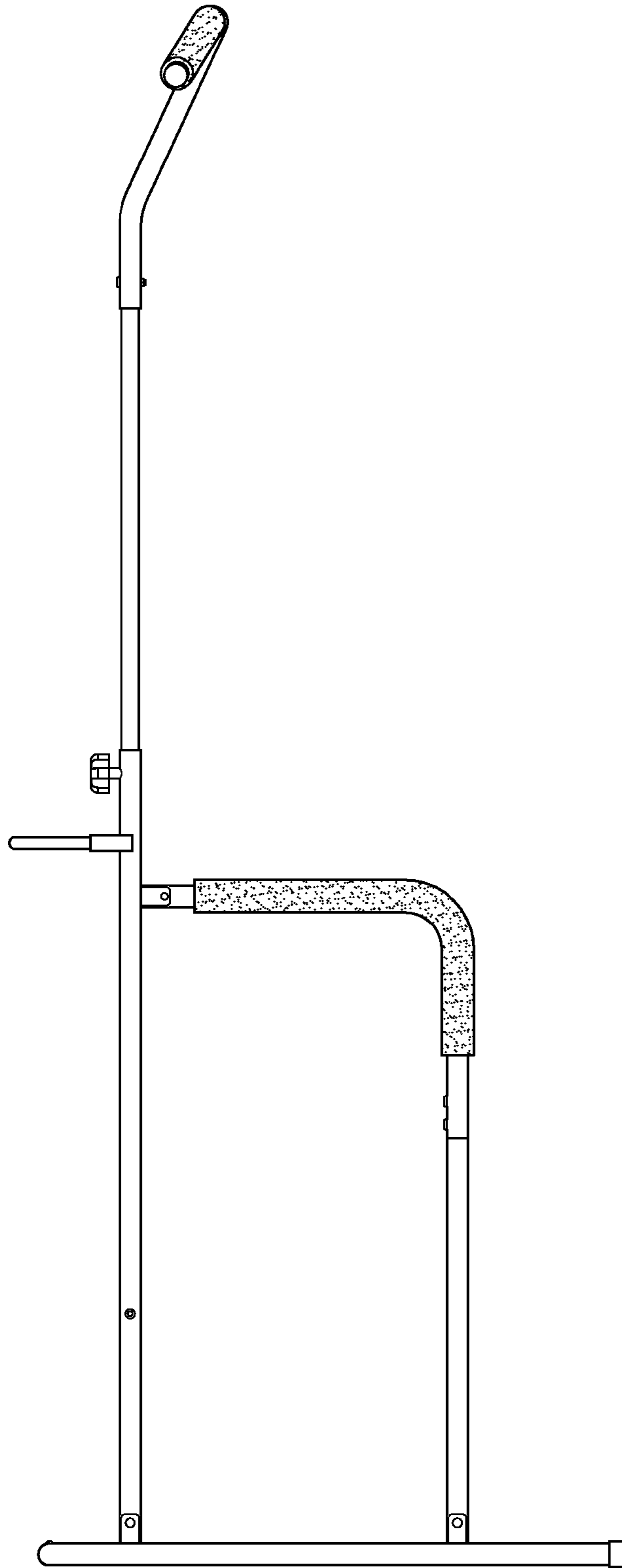


FIG. 4

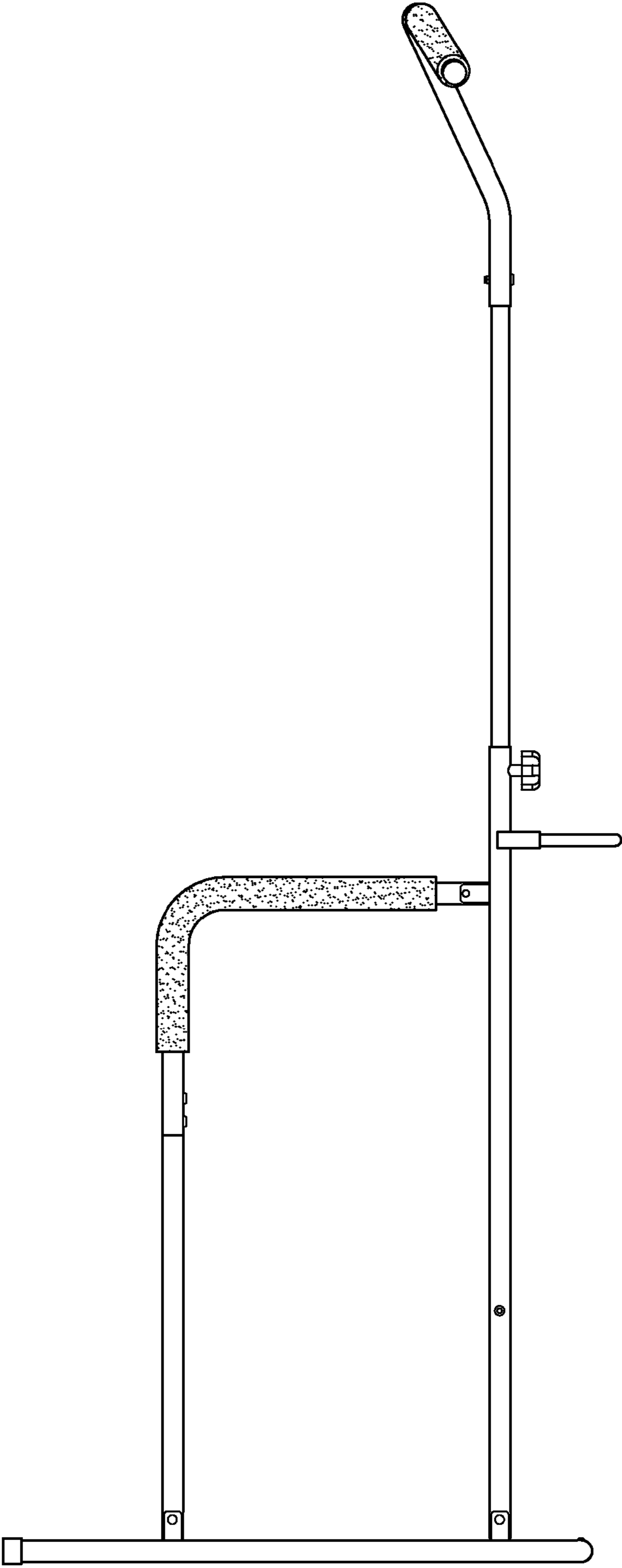


FIG. 5

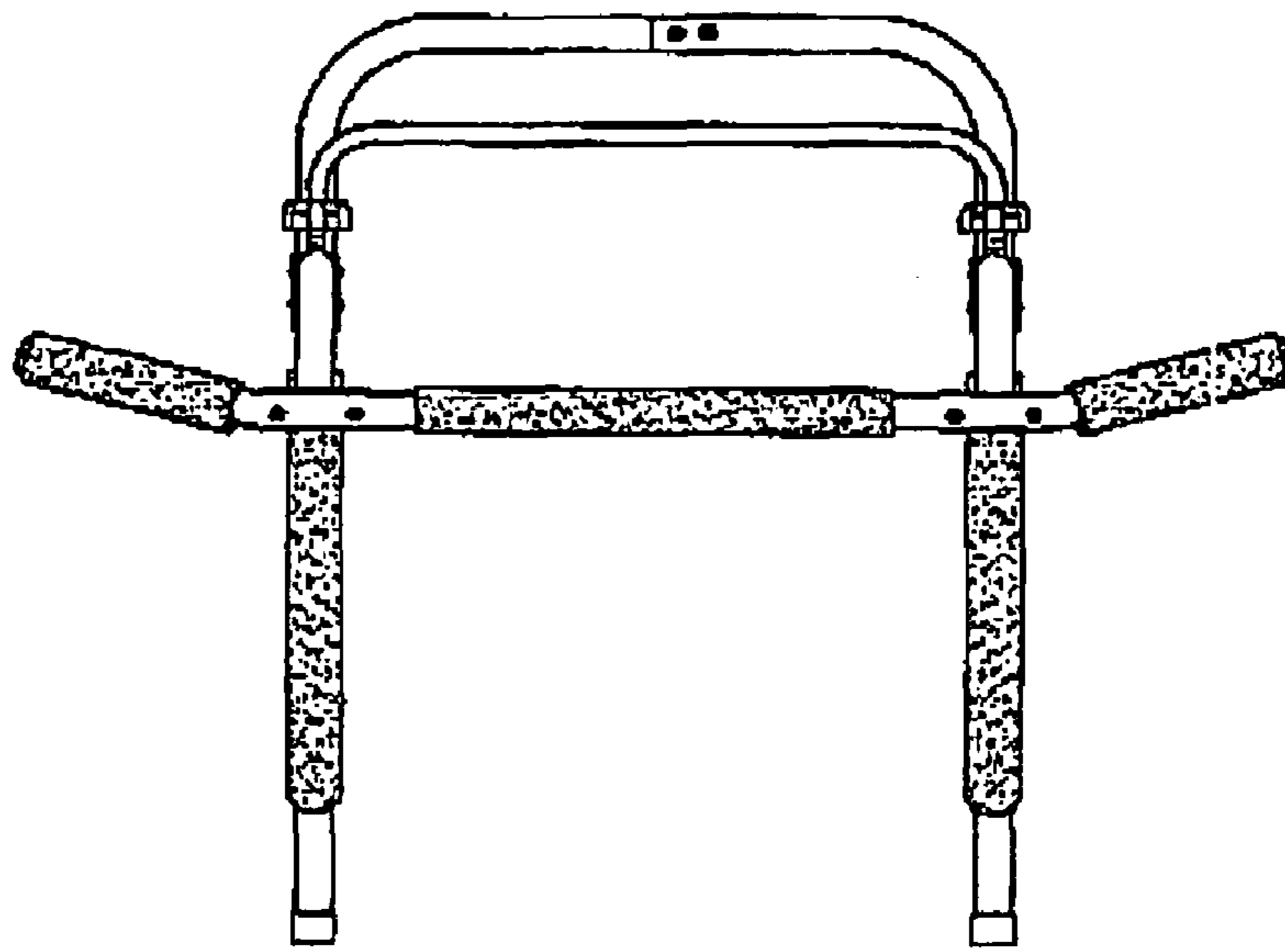


Fig. 6

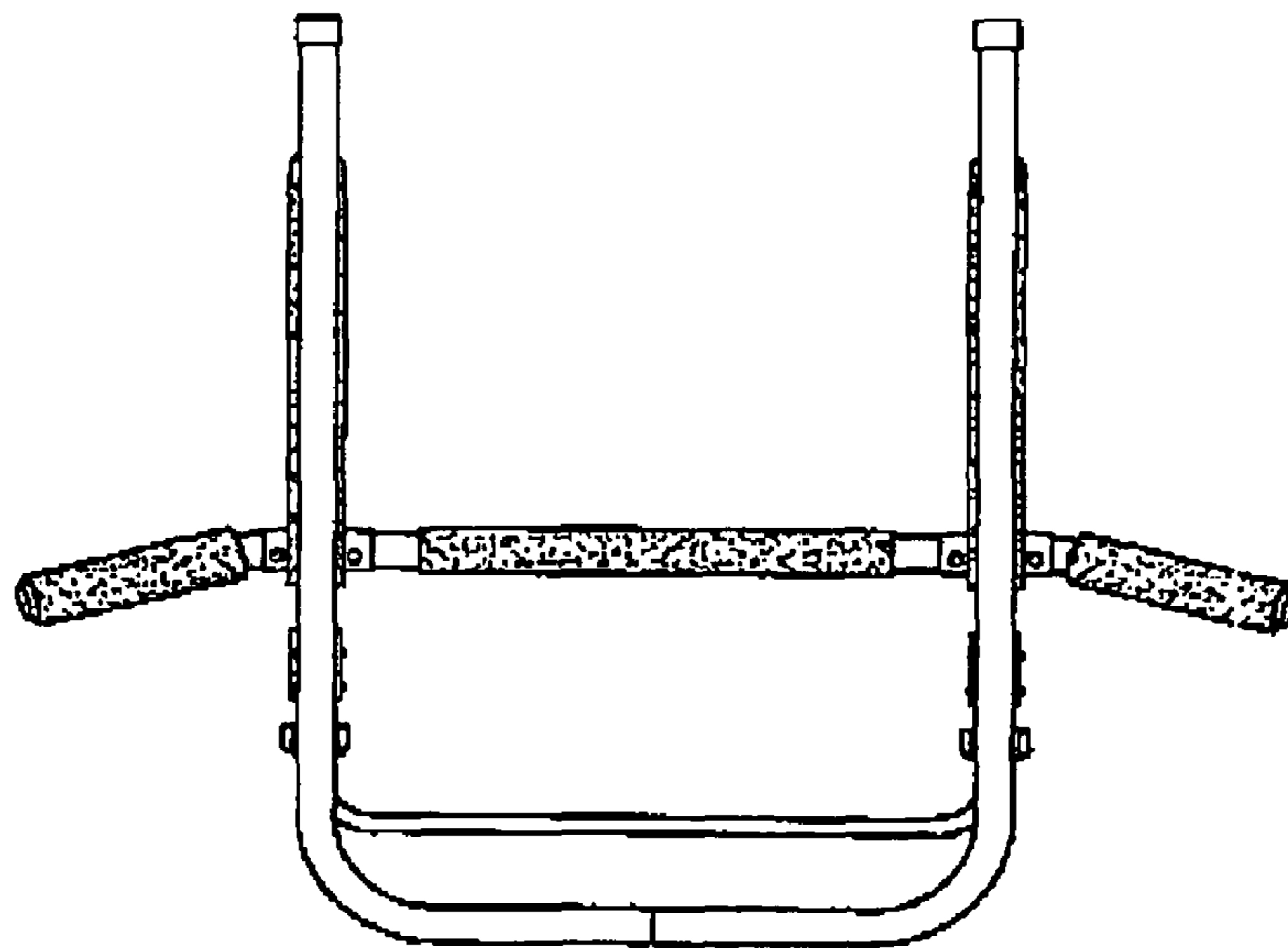


Fig. 7