



US00D633961S

(12) **United States Design Patent**
Loew et al.

(10) **Patent No.:** **US D633,961 S**
(45) **Date of Patent:** **** Mar. 8, 2011**

(54) **PORTABLE PULL-UP EXERCISE DEVICE**

(75) Inventors: **Christopher Loew**, Palo Alto, CA (US);
Ian Coats MacColl, Mill Valley, CA
(US); **Alden Morris Mills**, Kentfield,
CA (US)

(73) Assignee: **Perfect Pushup LLC**, Mill Valley, CA
(US)

(**) Term: **14 Years**

(21) Appl. No.: **29/356,596**

(22) Filed: **Feb. 28, 2010**

(51) **LOC (9) Cl.** **21-02**

(52) **U.S. Cl.** **D21/679**

(58) **Field of Classification Search** D21/662,
D21/679, 691, 694, 797; 482/37, 38, 40,
482/140, 141

See application file for complete search history.

(56) **References Cited**

U.S. PATENT DOCUMENTS

D197,076	S	*	12/1963	Spackman, Jr. et al.	D21/691
D210,469	S	*	3/1968	Sejersen	D21/691
3,915,452	A		10/1975	Winblad		
4,458,894	A	*	7/1984	Dudley	482/40
4,529,191	A		7/1985	Miller et al.		
D297,957	S	*	10/1988	Gordon, III	D21/691
D301,270	S	*	5/1989	Levenston	D21/691
4,844,448	A		7/1989	Niznik		
4,900,015	A	*	2/1990	Dissinger	482/141
D348,706	S		7/1994	Harrell		
5,417,628	A		5/1995	Vanderbleek		

5,752,903	A	*	5/1998	Chang	482/141
5,776,033	A	*	7/1998	Brown	482/40
6,179,748	B1		1/2001	Barr		
6,508,743	B1		1/2003	Fortin		
D554,209	S	*	10/2007	Loucks	D21/694
7,540,831	B2		6/2009	Hauser et al.		
7,566,292	B1		7/2009	Hauser et al.		
7,601,100	B1		10/2009	Hinds et al.		
D623,707	S	*	9/2010	Ritchie	D21/679
D626,187	S	*	10/2010	Friedman et al.	D21/679
2005/0250619	A1		11/2005	Daikeler et al.		

OTHER PUBLICATIONS

Iron Gym Total Body Workout Bar (Online Advertisement), www.target.com. Feb. 19, 2010.

* cited by examiner

Primary Examiner — Susan E Krakower

(74) *Attorney, Agent, or Firm* — Charter IP LLC; Matthew J. Lattig

(57) **CLAIM**

The ornamental design for a portable pull-up exercise device, as shown and described.

DESCRIPTION

FIG. 1 is a perspective view of a portable pull-up exercise device showing our new design.

FIG. 2 is a top plan view thereof.

FIG. 3 is a bottom plan view thereof.

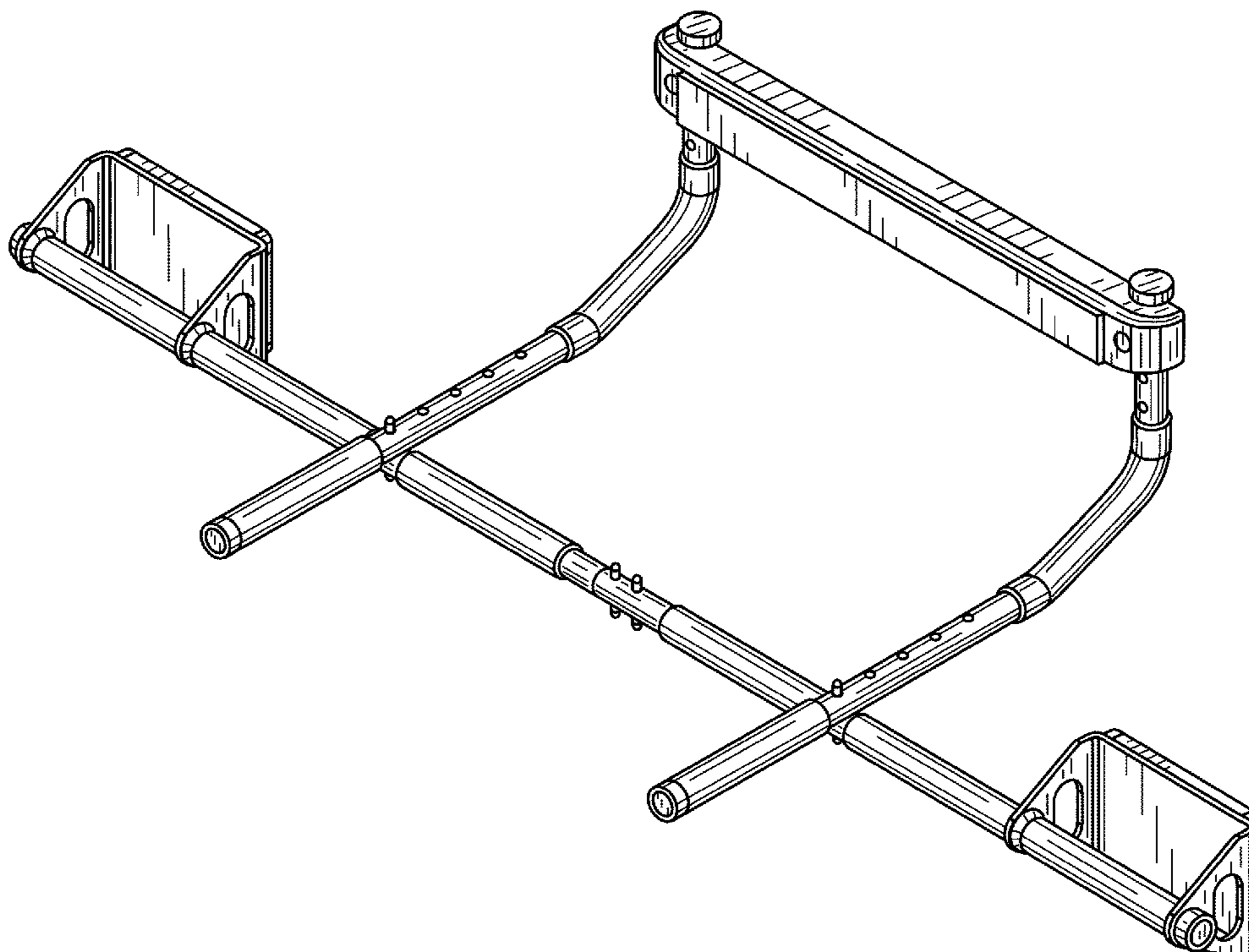
FIG. 4 is a left side elevational view thereof.

FIG. 5 is a right side elevational view thereof.

FIG. 6 is a front elevational view thereof; and,

FIG. 7 is a rear elevational view thereof.

1 Claim, 7 Drawing Sheets



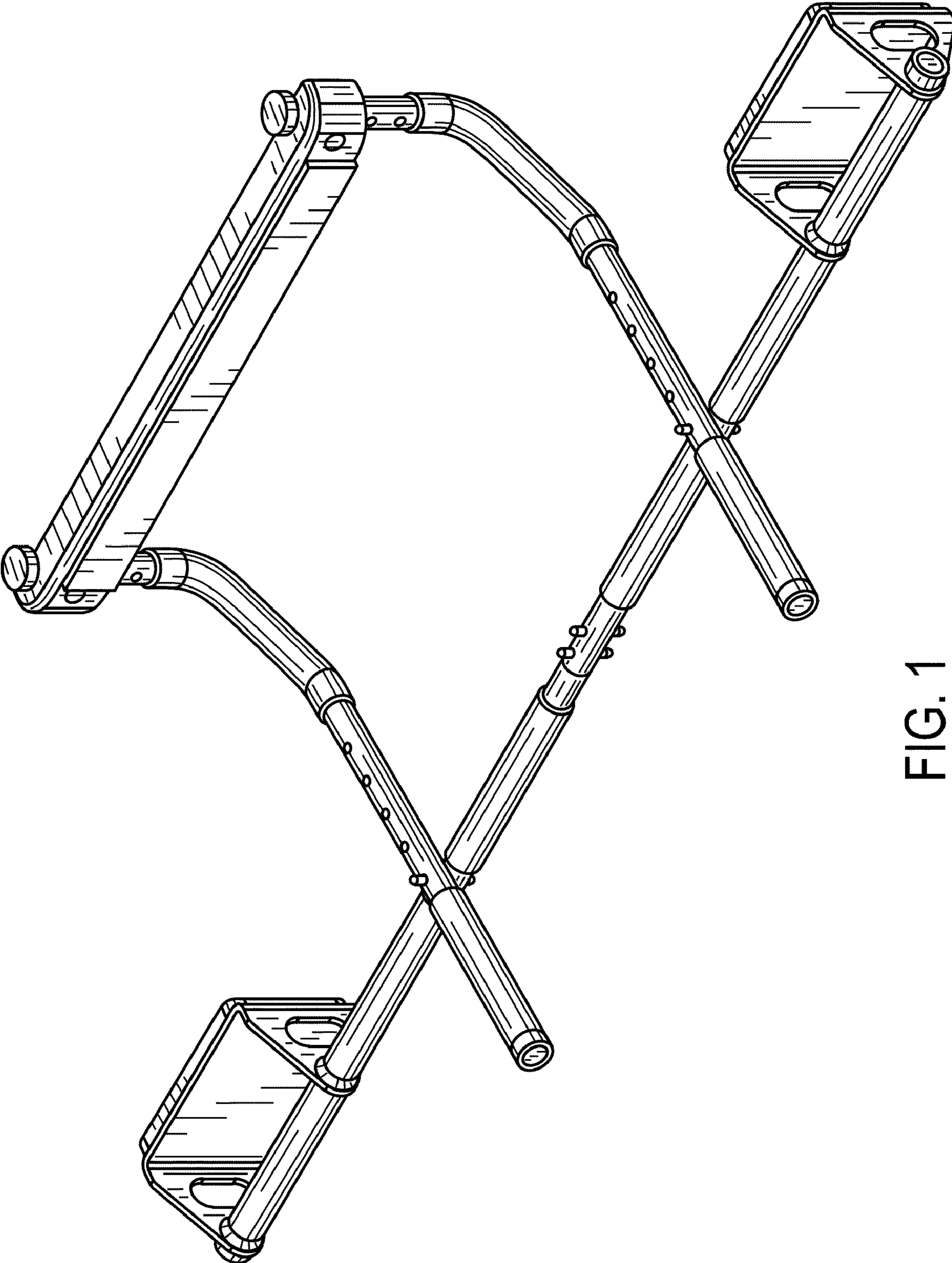


FIG. 1

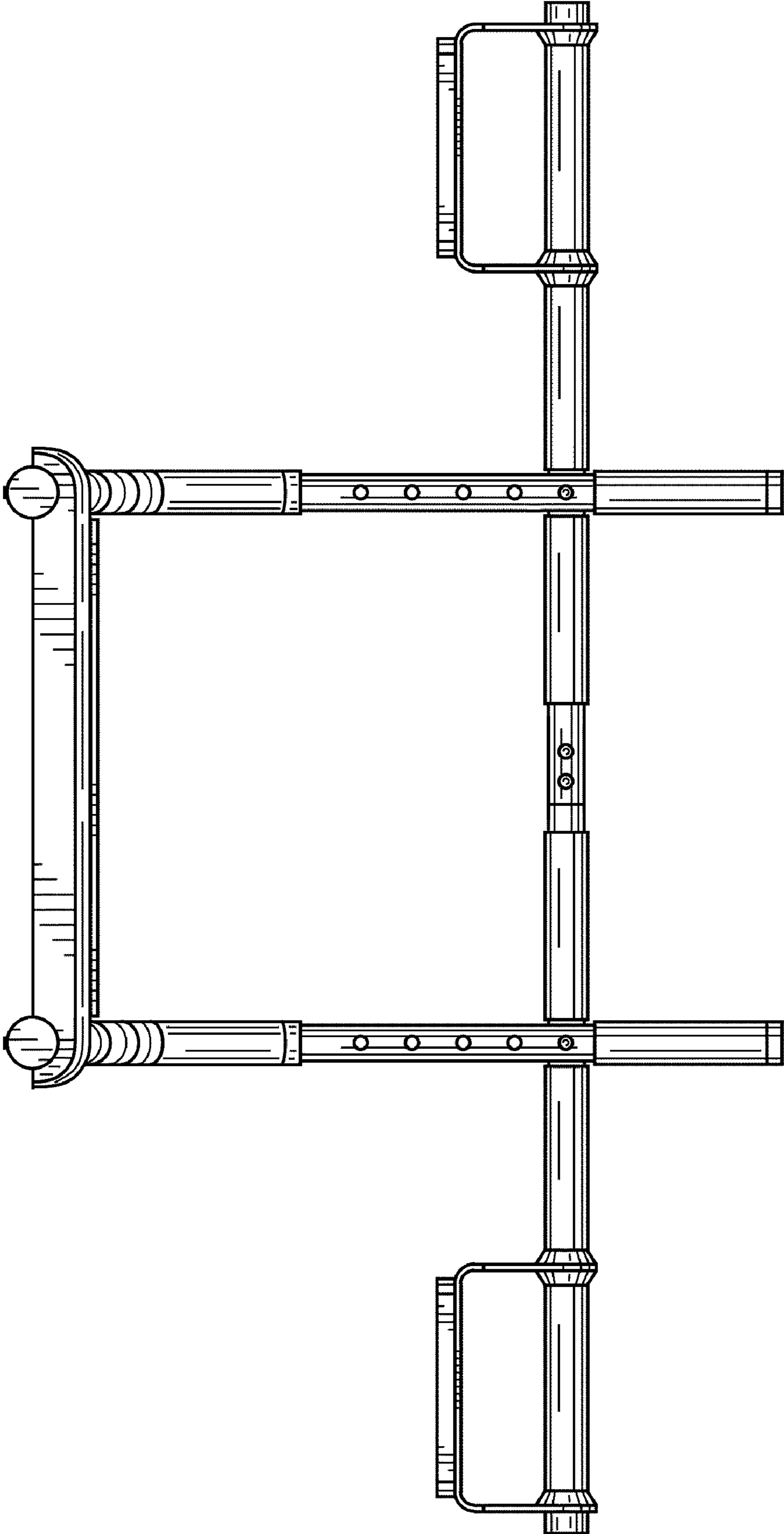


FIG. 2

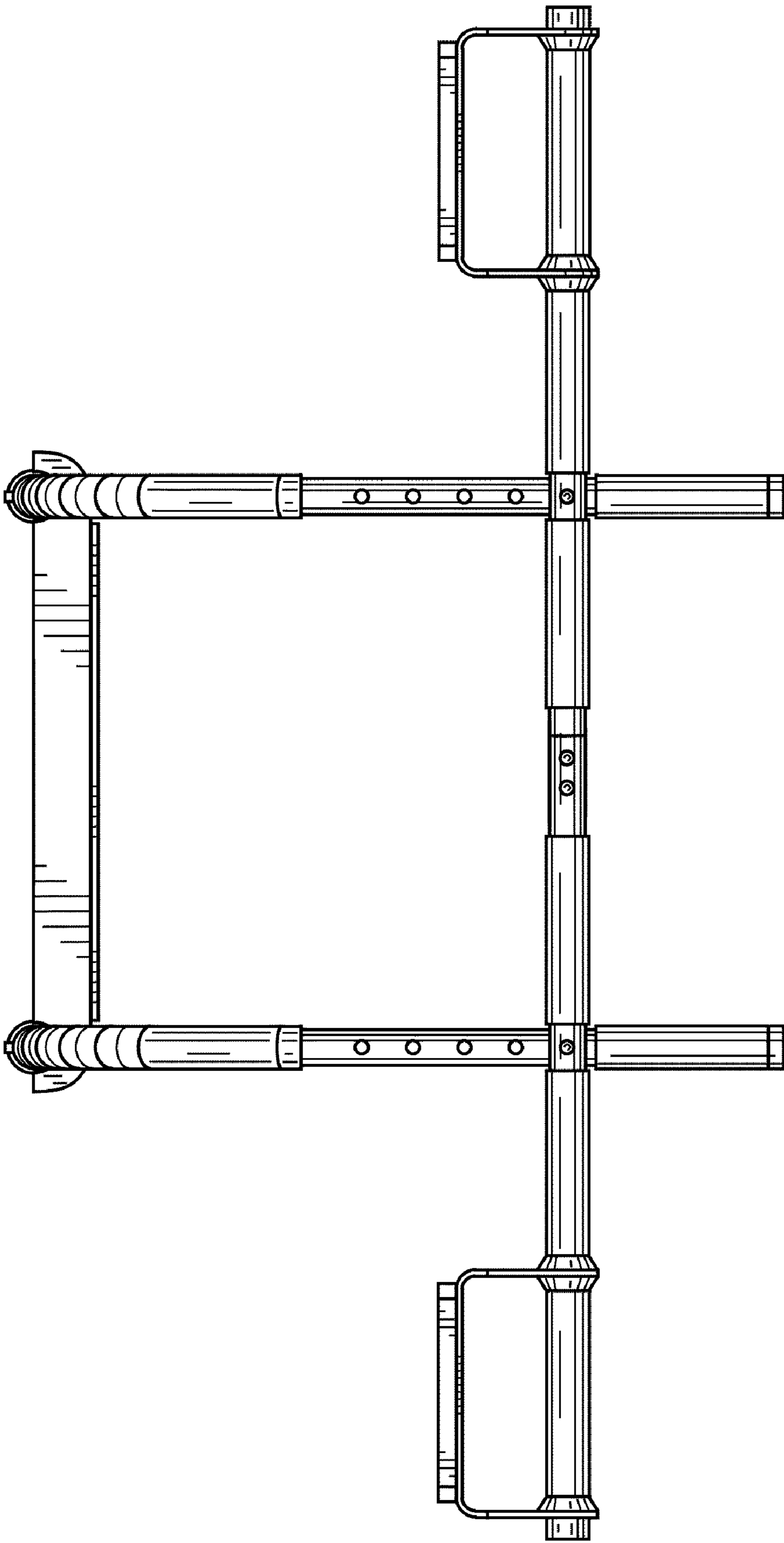


FIG. 3

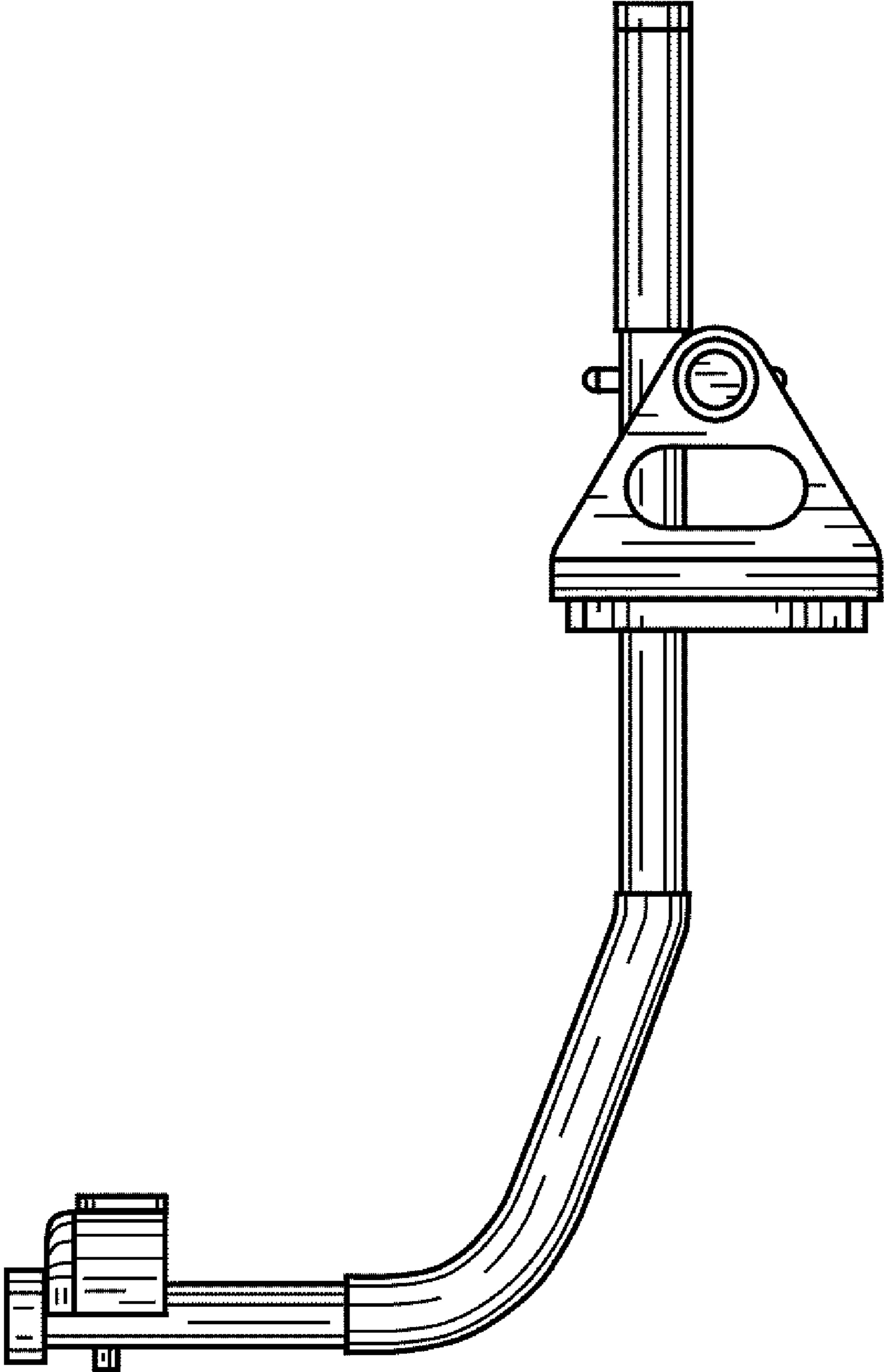


FIG. 4

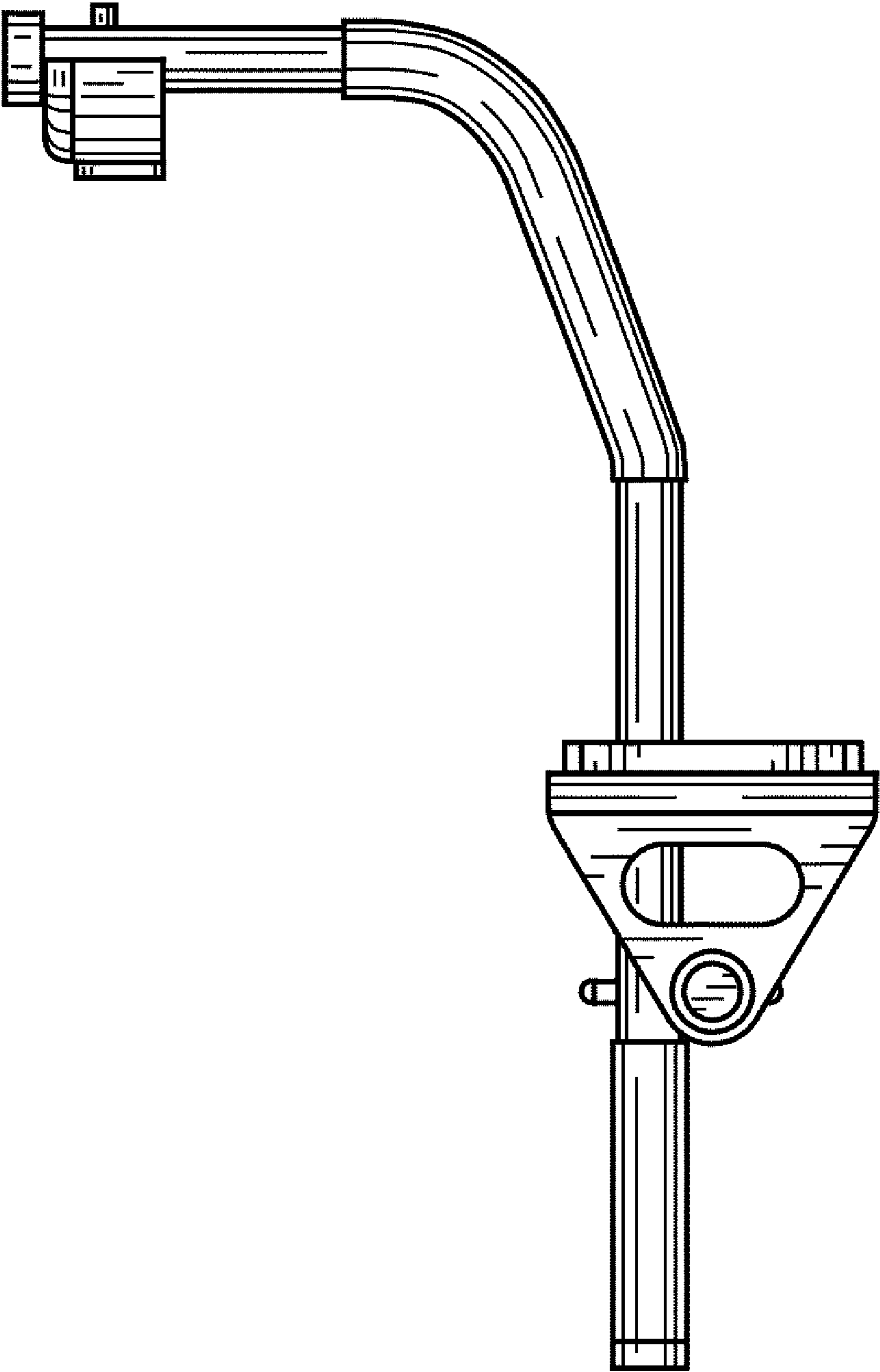


FIG. 5

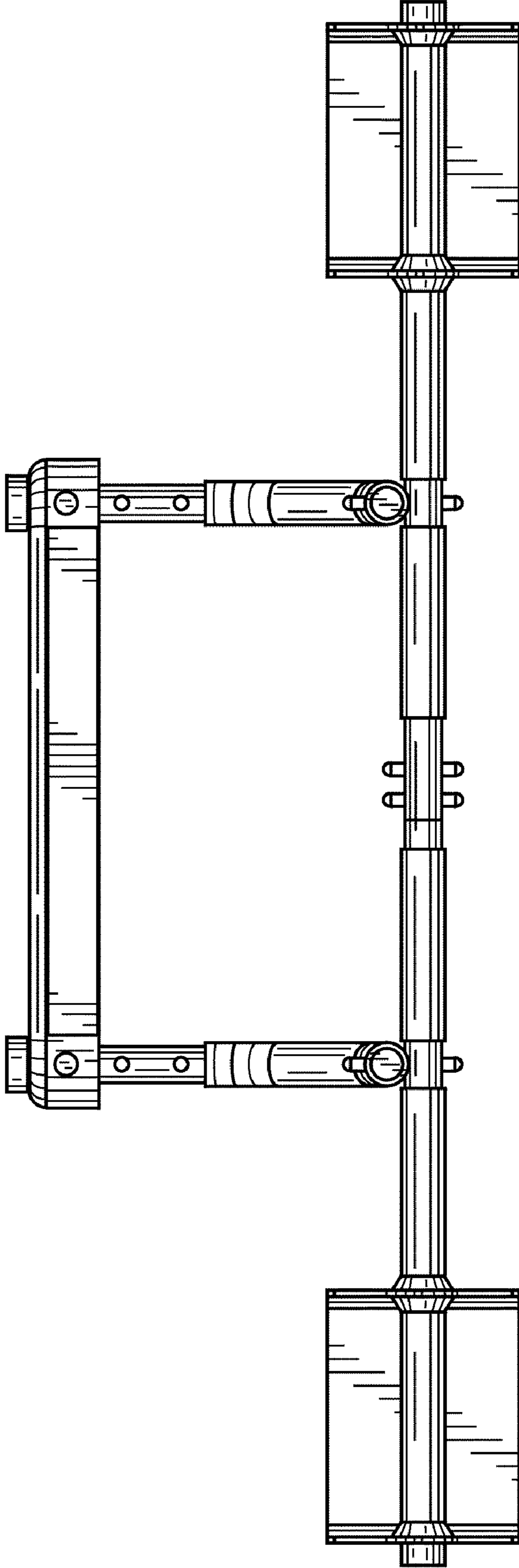


FIG. 6

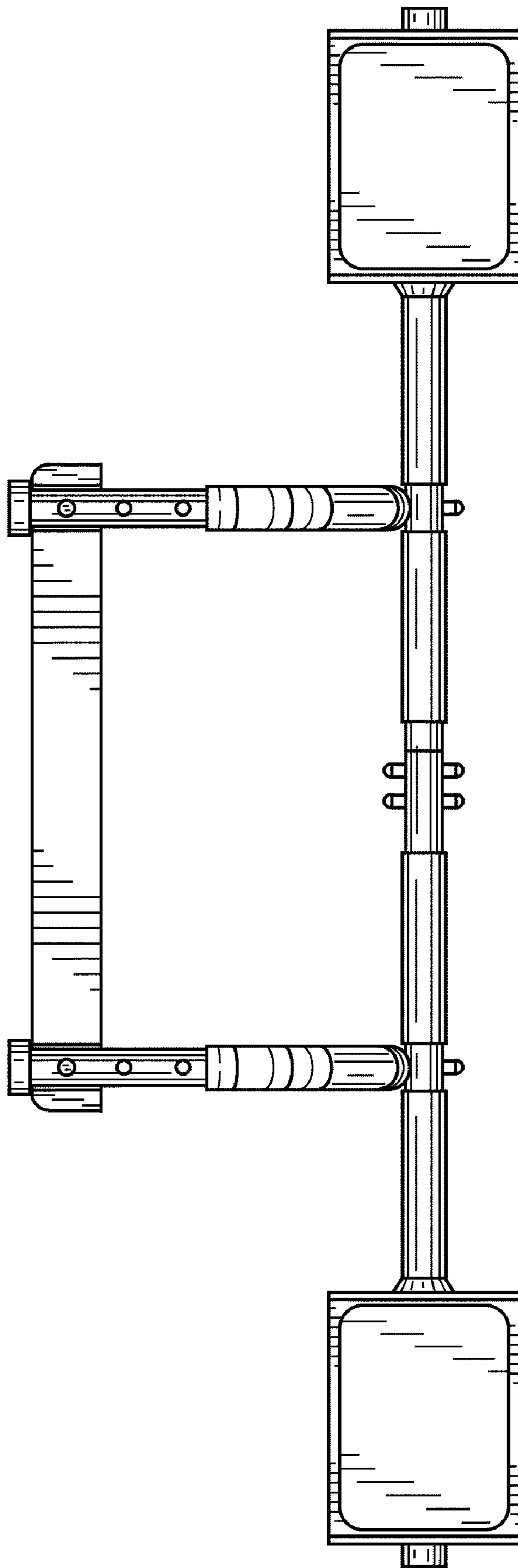


FIG. 7