



US00D633956S

(12) **United States Design Patent**
Cheng

(10) **Patent No.:** **US D633,956 S**

(45) **Date of Patent:** **** Mar. 8, 2011**

(54) **ROTOR BLADE FOR TOY HELICOPTER**

(76) Inventor: **Randy Cheng**, San Gabriel, CA (US)

(**) Term: **14 Years**

(21) Appl. No.: **29/349,497**

(22) Filed: **Apr. 12, 2010**

(51) **LOC (9) Cl.** **21-01**

(52) **U.S. Cl.** **D21/442; D21/453**

(58) **Field of Classification Search** D12/325-329,
D12/339-345; D21/441-442, 447-453;
244/17.11, 17.13, 17.19, 17.23, 17.25; 446/34,
446/36, 230-232

See application file for complete search history.

(56) **References Cited**

U.S. PATENT DOCUMENTS

3,124,897	A *	3/1964	Shapiro	446/36
3,722,132	A *	3/1973	Seefluth	446/36
4,718,874	A *	1/1988	Warren	446/36
D544,825	S *	6/2007	Van de Rostyne et al.	..	D12/345
D561,084	S *	2/2008	Wai	D12/345
D561,085	S *	2/2008	Wai	D12/345
D561,679	S *	2/2008	Wai	D12/345

D579,403	S *	10/2008	Van de Rostyne et al.	..	D12/326
D582,833	S *	12/2008	Van De Rostyne et al.	..	D12/345
D583,297	S *	12/2008	Van De Rostyne et al.	..	D12/345

* cited by examiner

Primary Examiner — Sandra Morris

(74) *Attorney, Agent, or Firm* — Raymond Y. Chan; David and Raymond Patent Firm

(57) **CLAIM**

The ornamental design for a rotor blade for toy helicopter, as shown and described.

DESCRIPTION

FIG. 1 is a perspective view of rotor blade for toy helicopter showing my new design.

FIG. 2 is a top view thereof.

FIG. 3 is a bottom view thereof.

FIG. 4 is a front end view thereof.

FIG. 5 is a rear end view thereof.

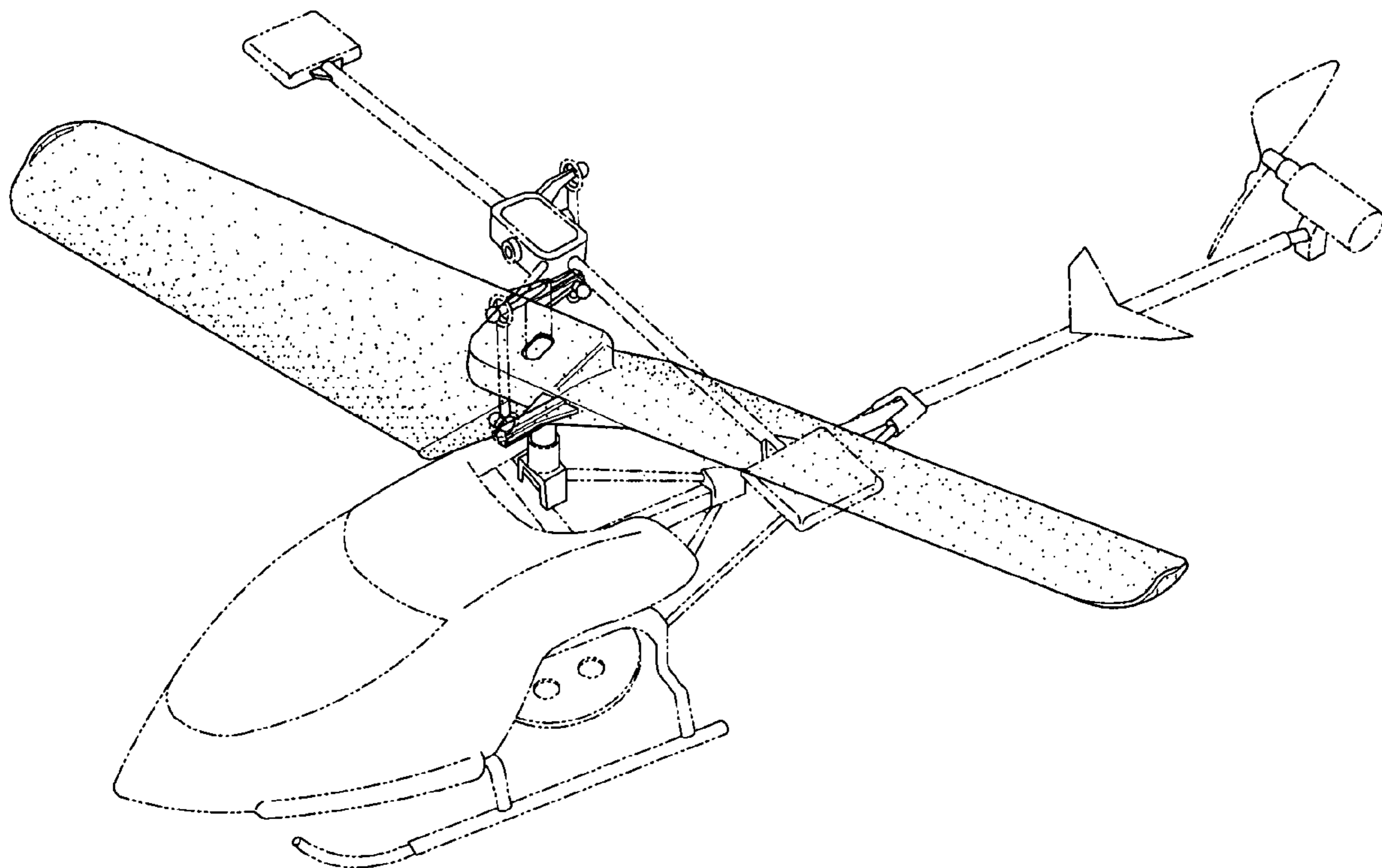
FIG. 6 is a left view thereof.

FIG. 7 is a right view thereof; and,

FIG. 8 is a perspective view of the new design thereof which is in use with a toy helicopter.

It is understood that the broken lines in the drawing are for illustrative purposes only and forms no part of the claimed design.

1 Claim, 8 Drawing Sheets



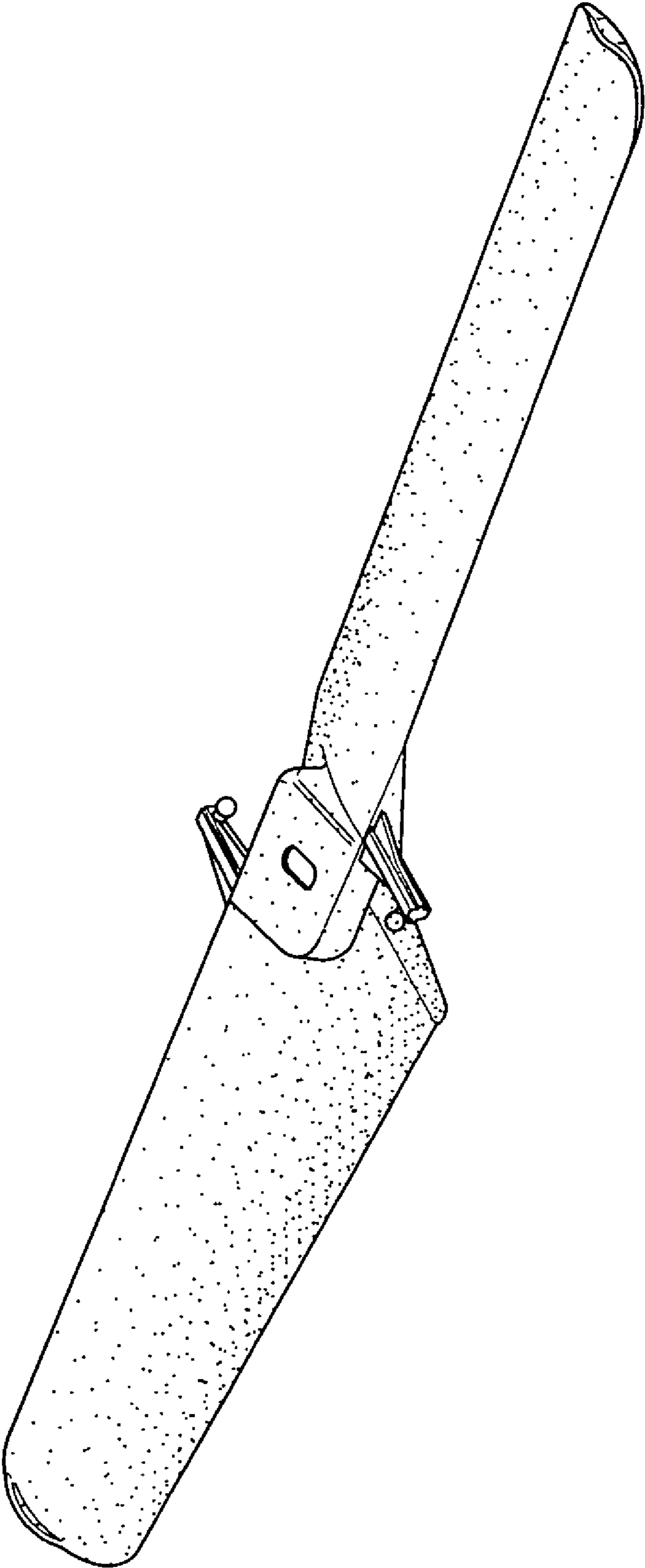


Fig. 1

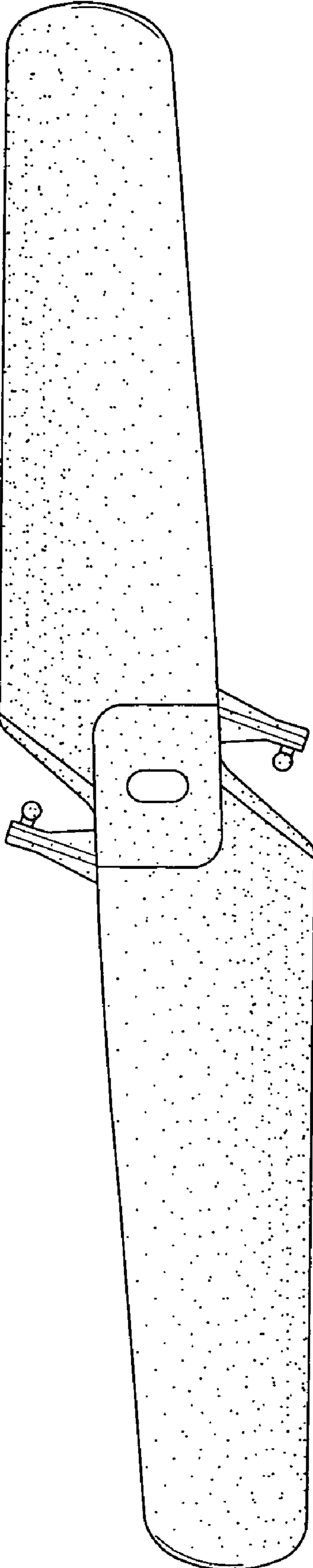


Fig. 2

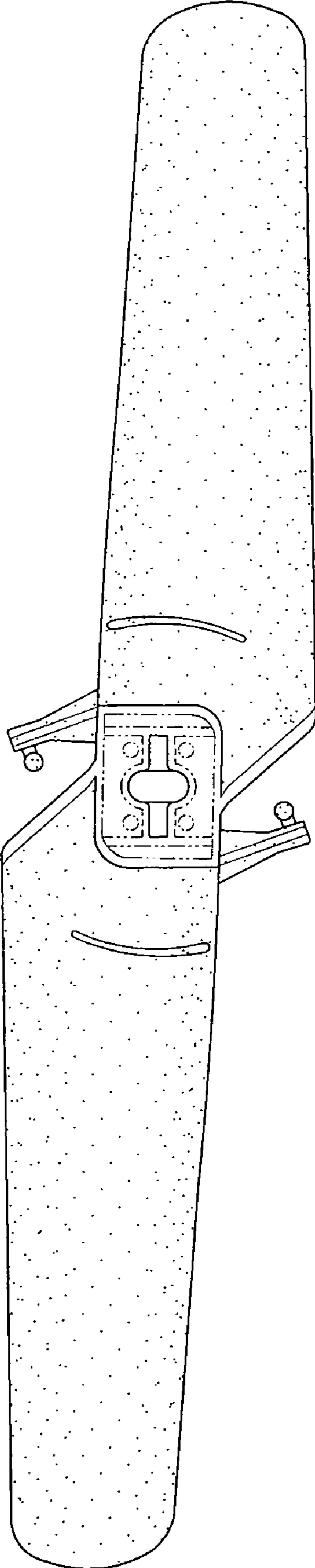


Fig. 3

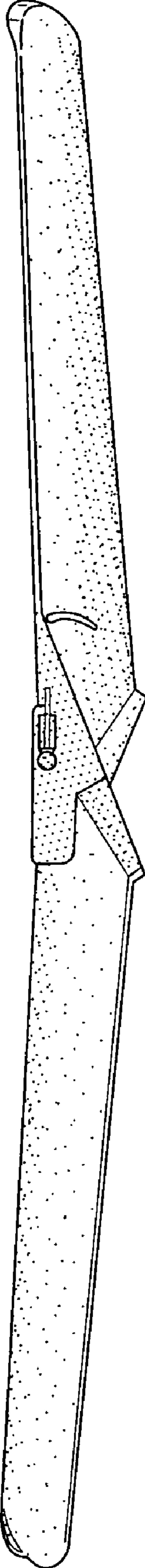


Fig.4

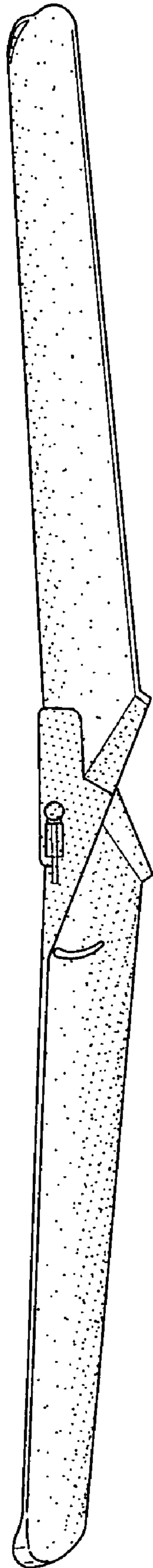


Fig. 5

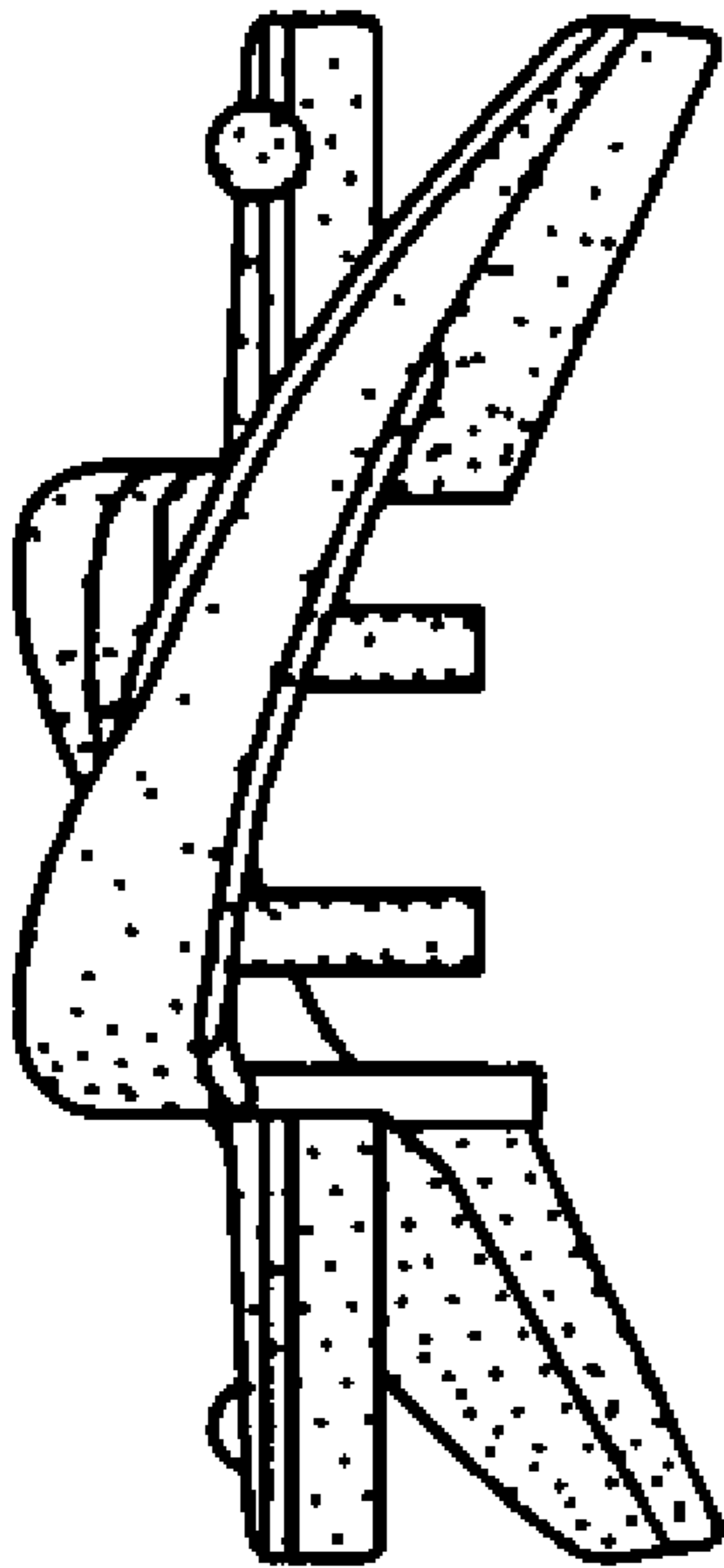


Fig. 6

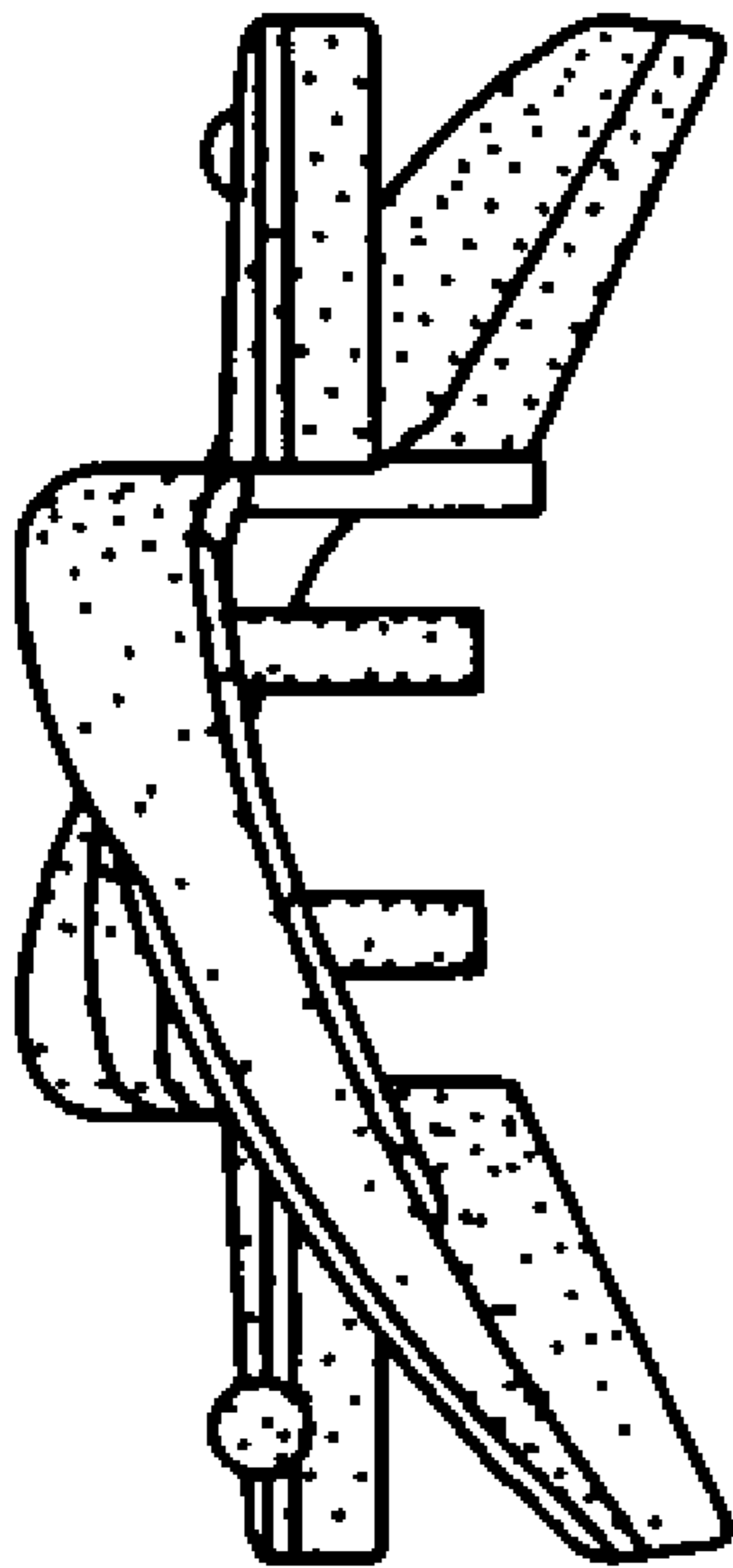


Fig. 7

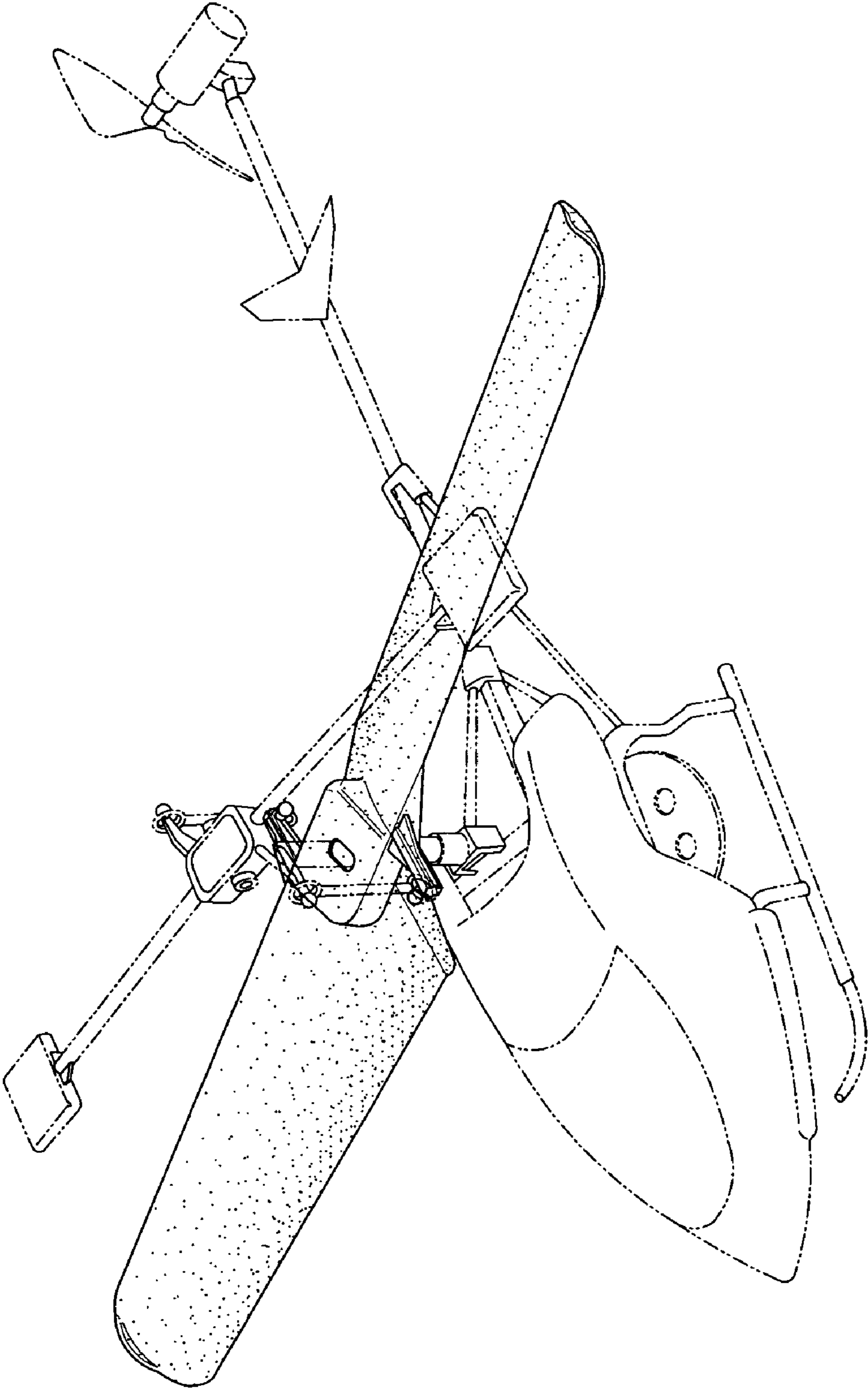


Fig.8