



US00D633955S

(12) **United States Design Patent**  
**Yuen**

(10) **Patent No.:** **US D633,955 S**  
(45) **Date of Patent:** **\*\* Mar. 8, 2011**

(54) **TOY HELICOPTER**

(75) Inventor: **Terry Shiu Hang Yuen**, Kowloon (HK)

(73) Assignee: **Hobbyengine Model Ltd.**, Hong Kong (HK)

(\*\*) Term: **14 Years**

(21) Appl. No.: **29/341,244**

(22) Filed: **Jul. 31, 2009**

(30) **Foreign Application Priority Data**

Feb. 12, 2009 (HK) ..... 0900216

(51) **LOC (9) Cl.** ..... **21-01**

(52) **U.S. Cl.** ..... **D21/442**

(58) **Field of Classification Search** ..... D12/325-329,  
D12/341-345; D21/441-442, 447-452;  
244/17.11, 17.13, 17.19, 17.23, 17.25; 446/34,  
446/36, 230-232

See application file for complete search history.

(56) **References Cited**

**U.S. PATENT DOCUMENTS**

D374,926 S *	10/1996	Sheh	.....	D12/327
D421,279 S *	2/2000	Tsai	.....	D21/442
D545,755 S *	7/2007	Van de Rostyne et al.	..	D12/327
D548,803 S *	8/2007	Zimet	.....	D21/442
D561,676 S *	2/2008	Wai	.....	D12/326
D580,343 S *	11/2008	Van de Rostyne et al.	..	D12/345
D580,845 S *	11/2008	Van de Rostyne et al.	..	D12/326
D585,810 S *	2/2009	Van de Rostyne et al.	..	D12/345

\* cited by examiner

*Primary Examiner*—Sandra Morris

(74) *Attorney, Agent, or Firm*—Baker & McKenzie LLP

(57) **CLAIM**

The ornamental design for a toy helicopter, as illustrated and described.

**DESCRIPTION**

FIG. 1 is a bottom view of the toy helicopter in accordance with my design;

FIG. 2 is a left side view of the toy helicopter shown in FIG. 1;

FIG. 3 is a top view of the toy helicopter shown in FIGS. 1-2;

FIG. 4 is a right side view of the toy helicopter shown in FIGS. 1-3;

FIG. 5 is a front perspective view of the toy helicopter shown in FIGS. 1-4;

FIG. 6 is a back perspective view of the toy helicopter shown in FIGS. 1-5;

FIG. 7 is a left perspective view of the toy helicopter shown in FIGS. 1-6;

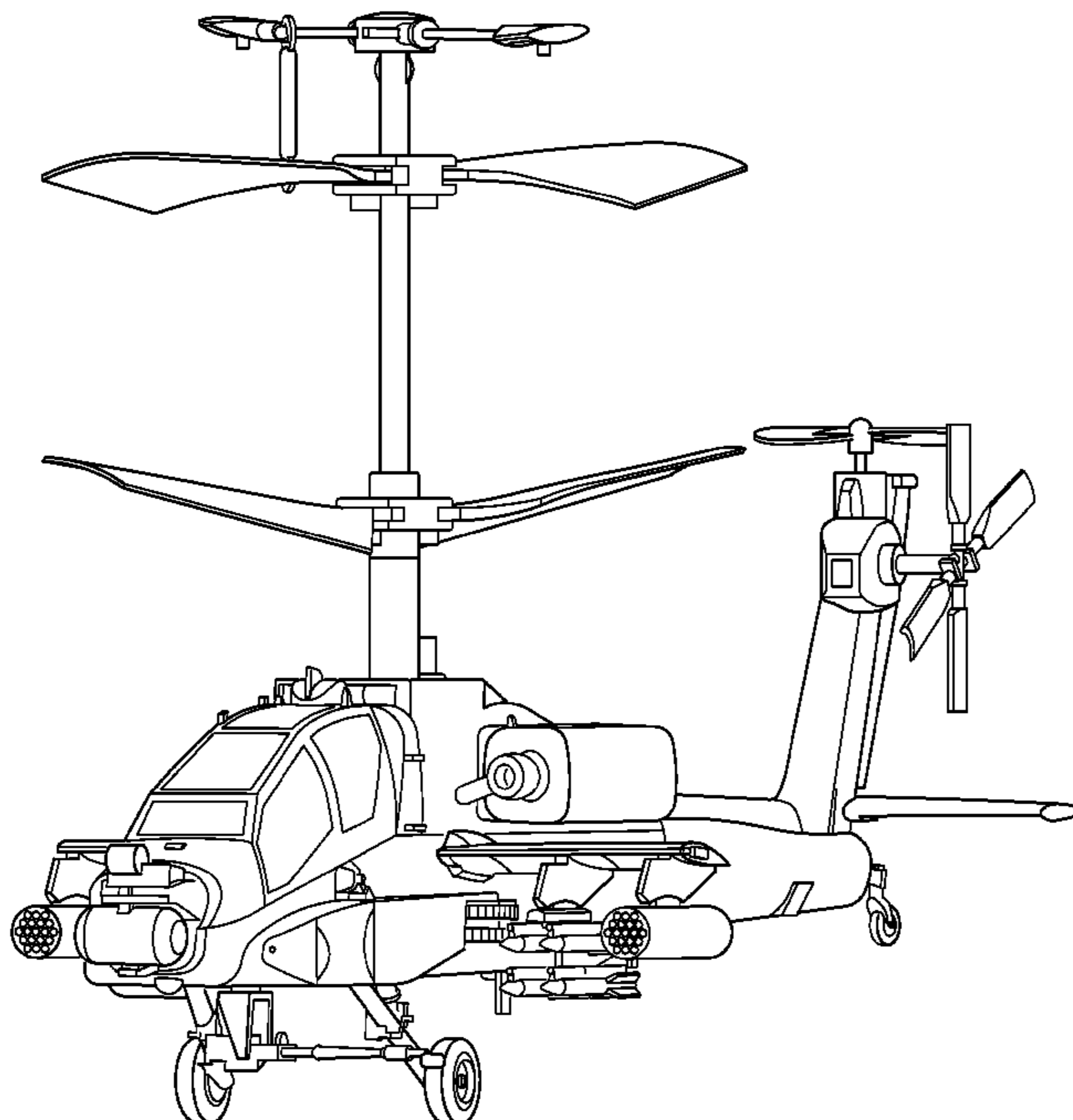
FIG. 8 is a right perspective view of the toy helicopter shown in FIGS. 1-7;

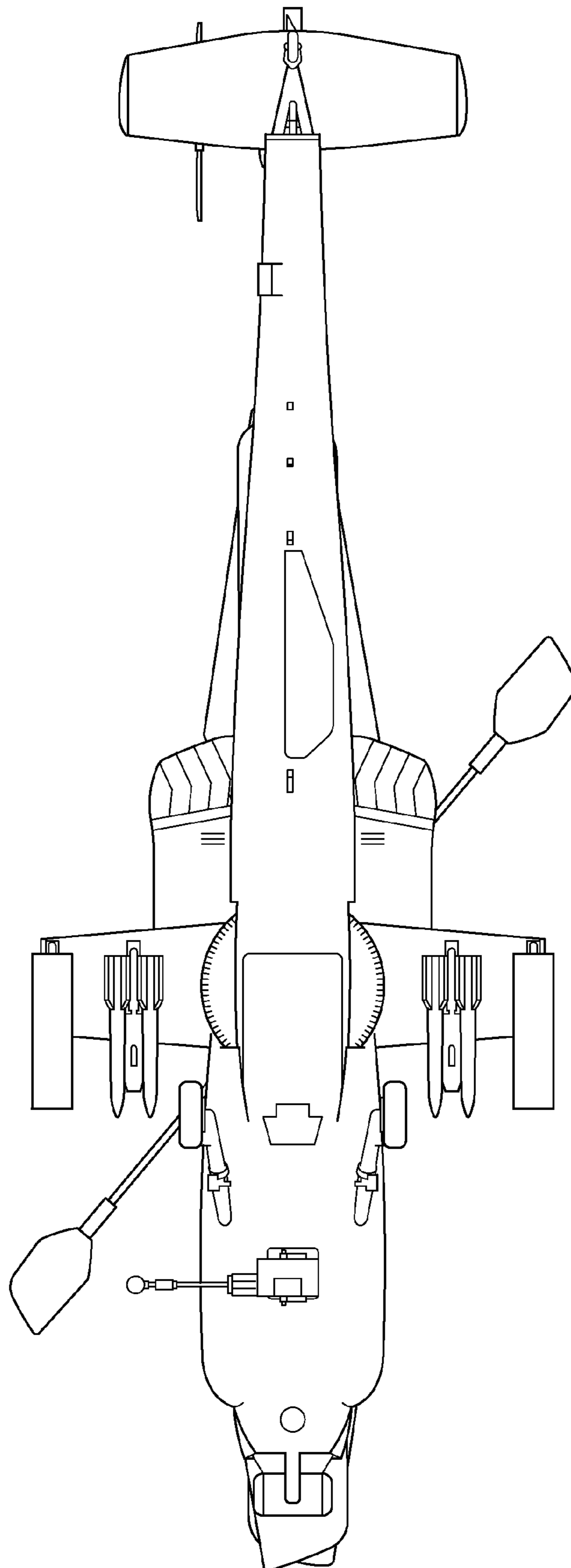
FIG. 9 is a bottom perspective view of the toy helicopter shown in FIGS. 1-8;

FIG. 10 is a second bottom perspective view of the toy helicopter shown in FIGS. 1-9; and,

FIG. 11 is a third bottom perspective view of the toy helicopter shown in FIGS. 1-10.

**1 Claim, 11 Drawing Sheets**





*FIG. 1*

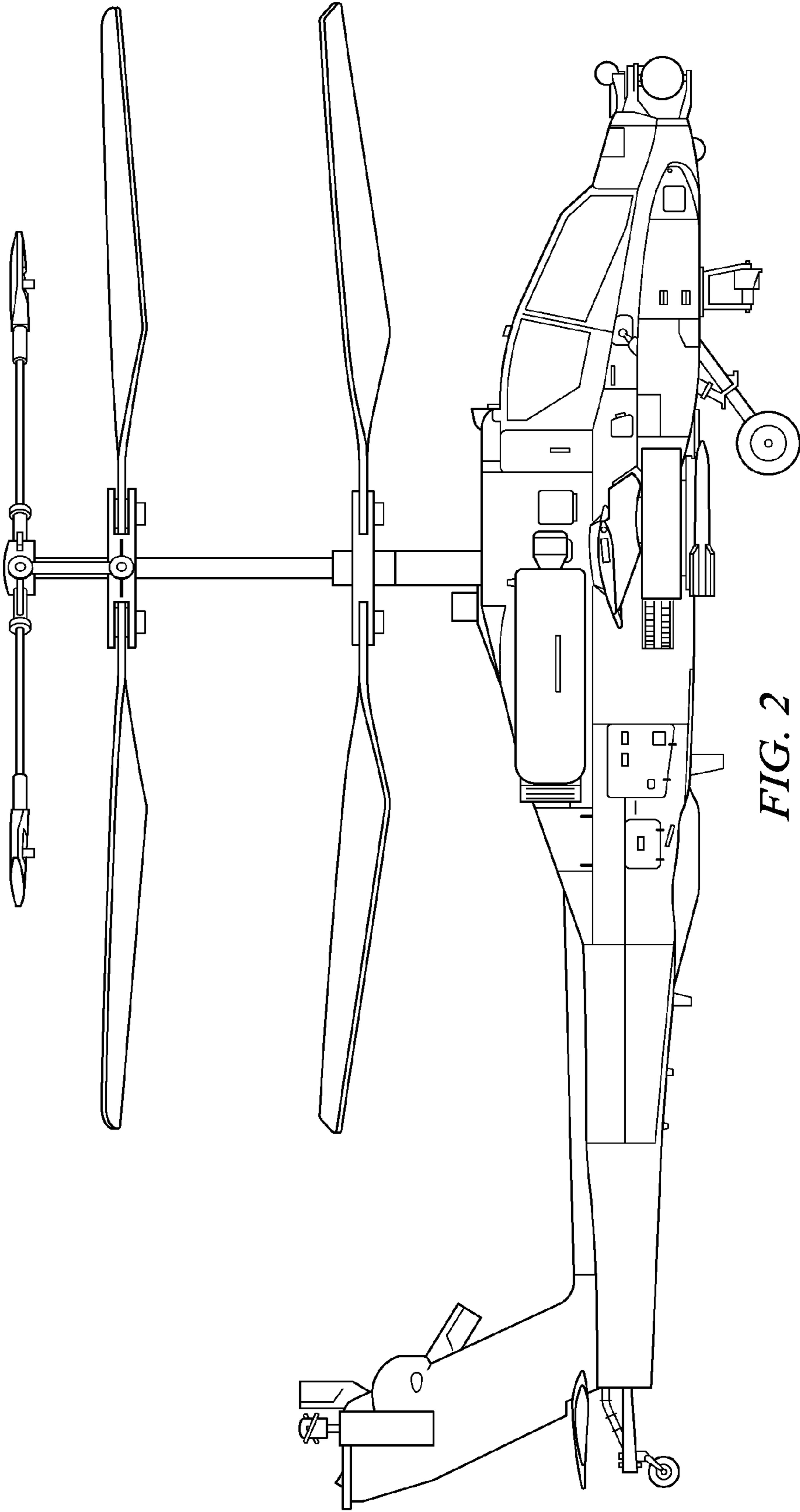


FIG. 2

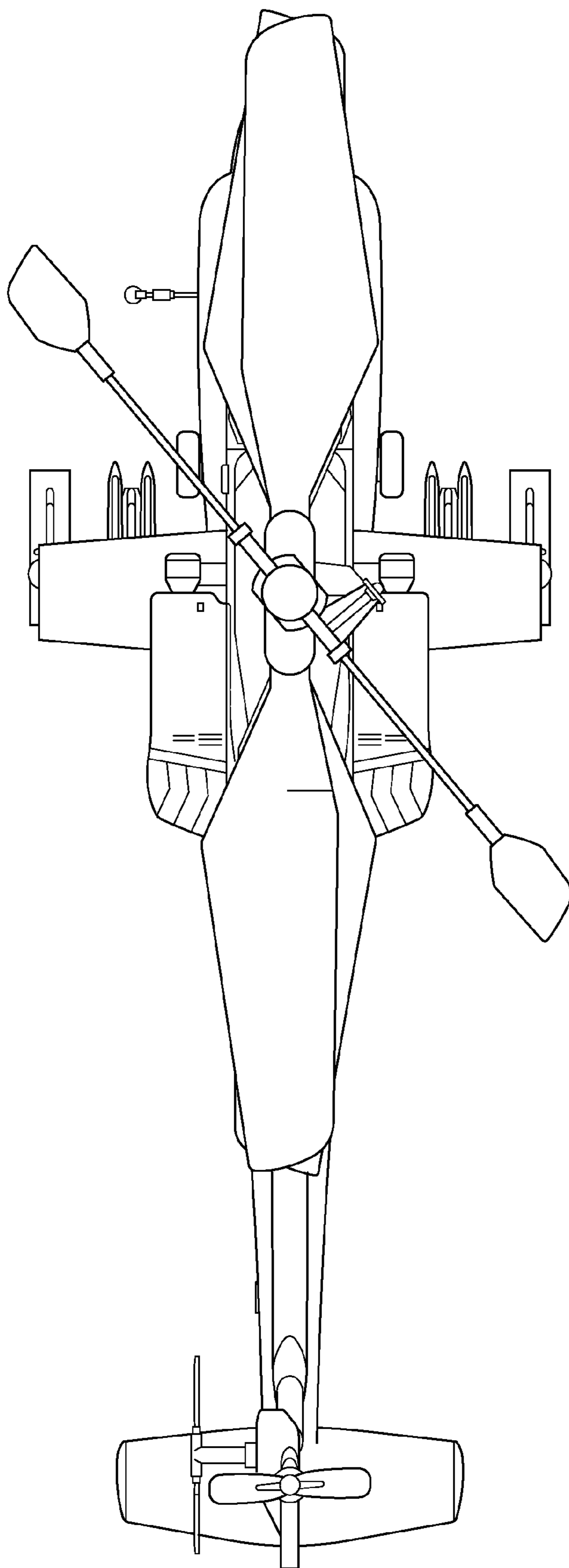


FIG. 3

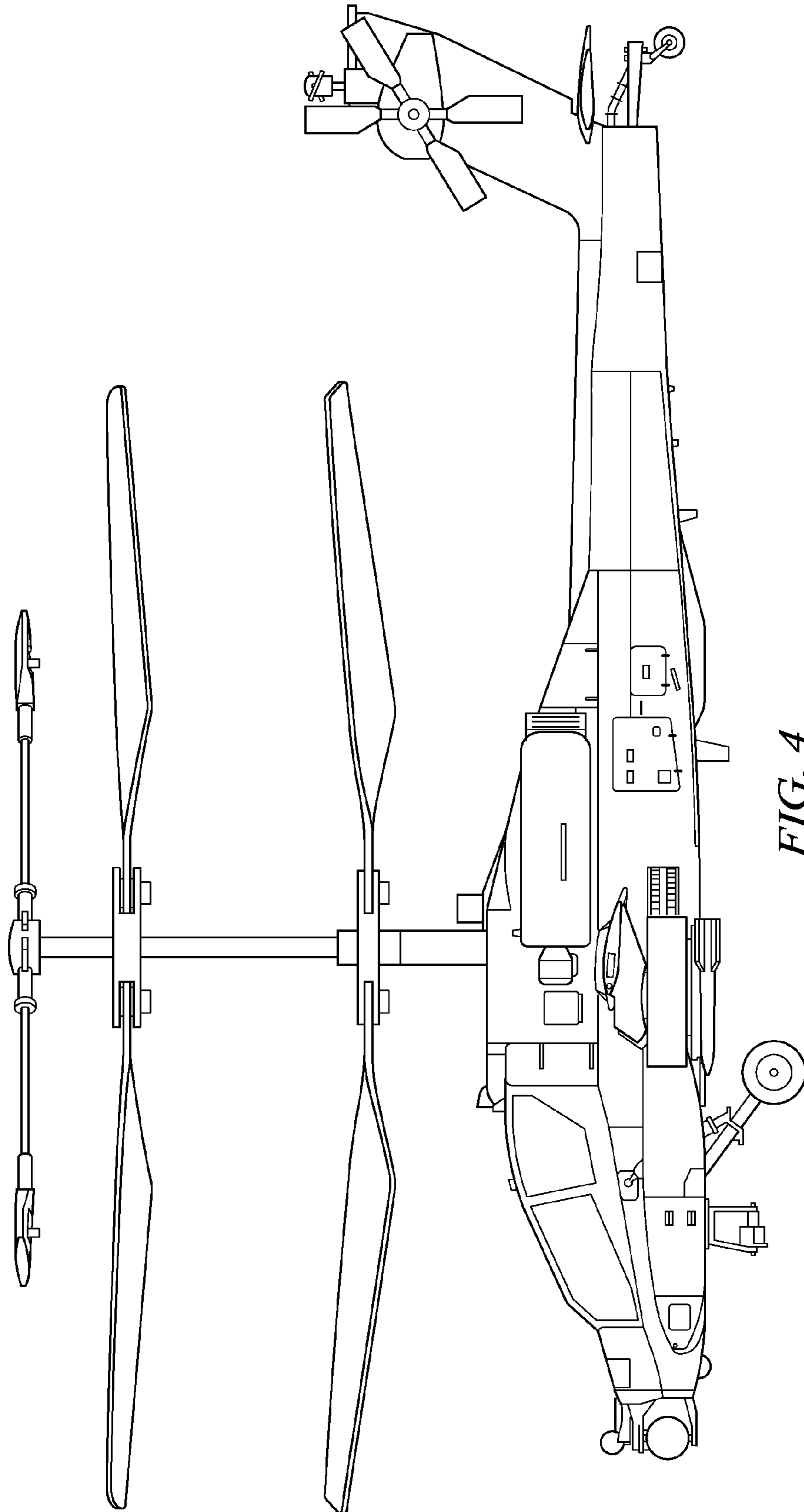


FIG. 4

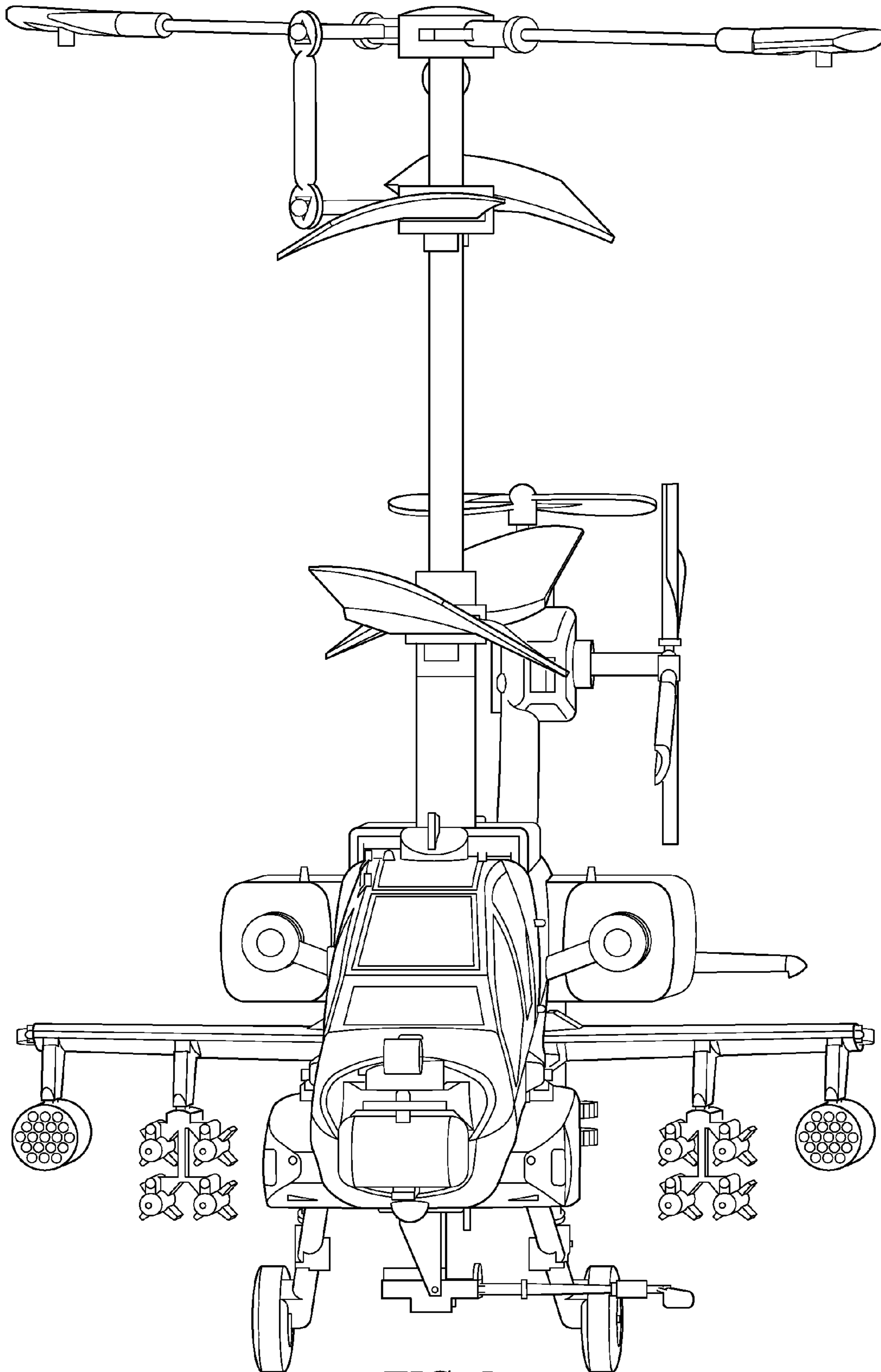


FIG. 5

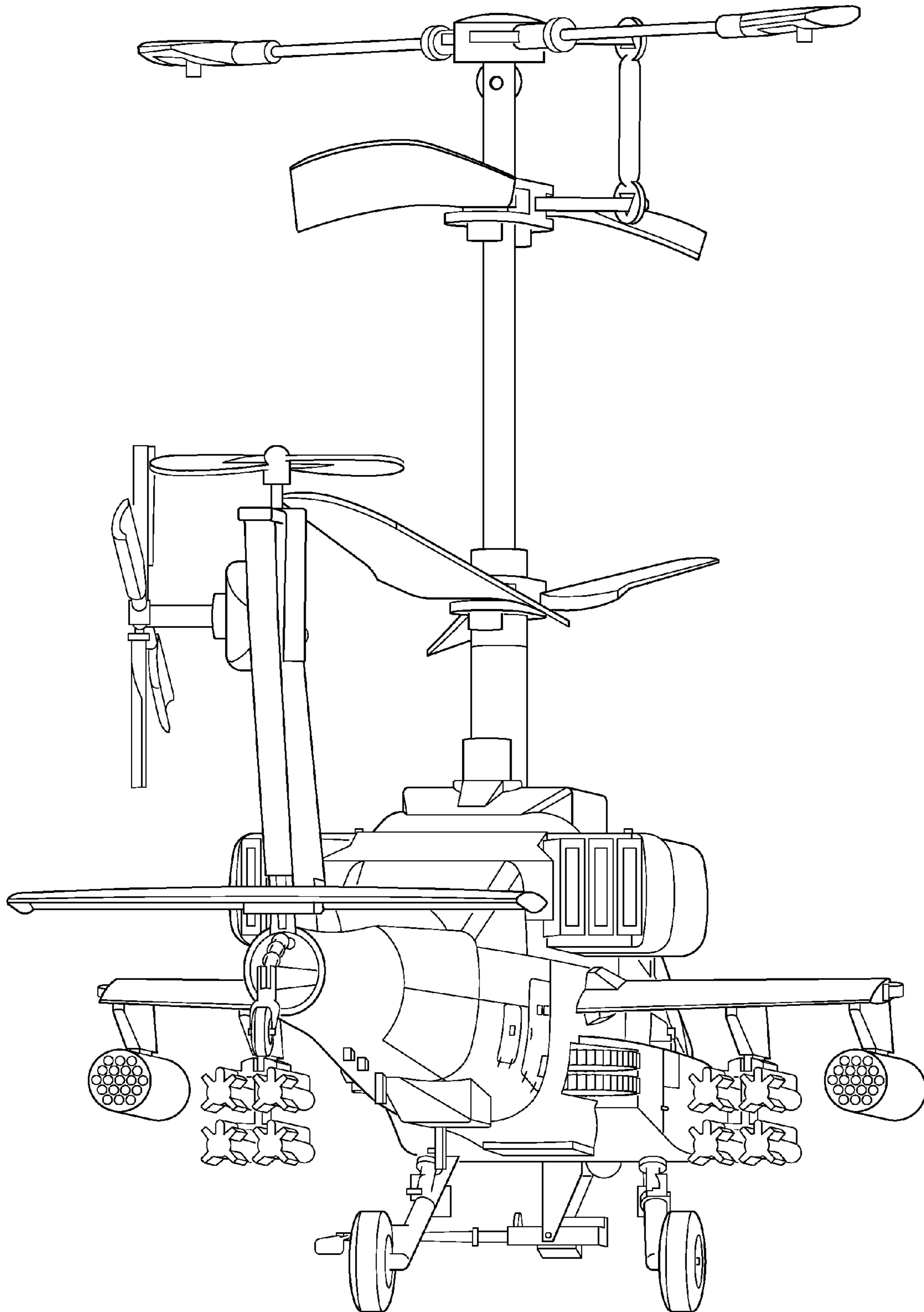


FIG. 6

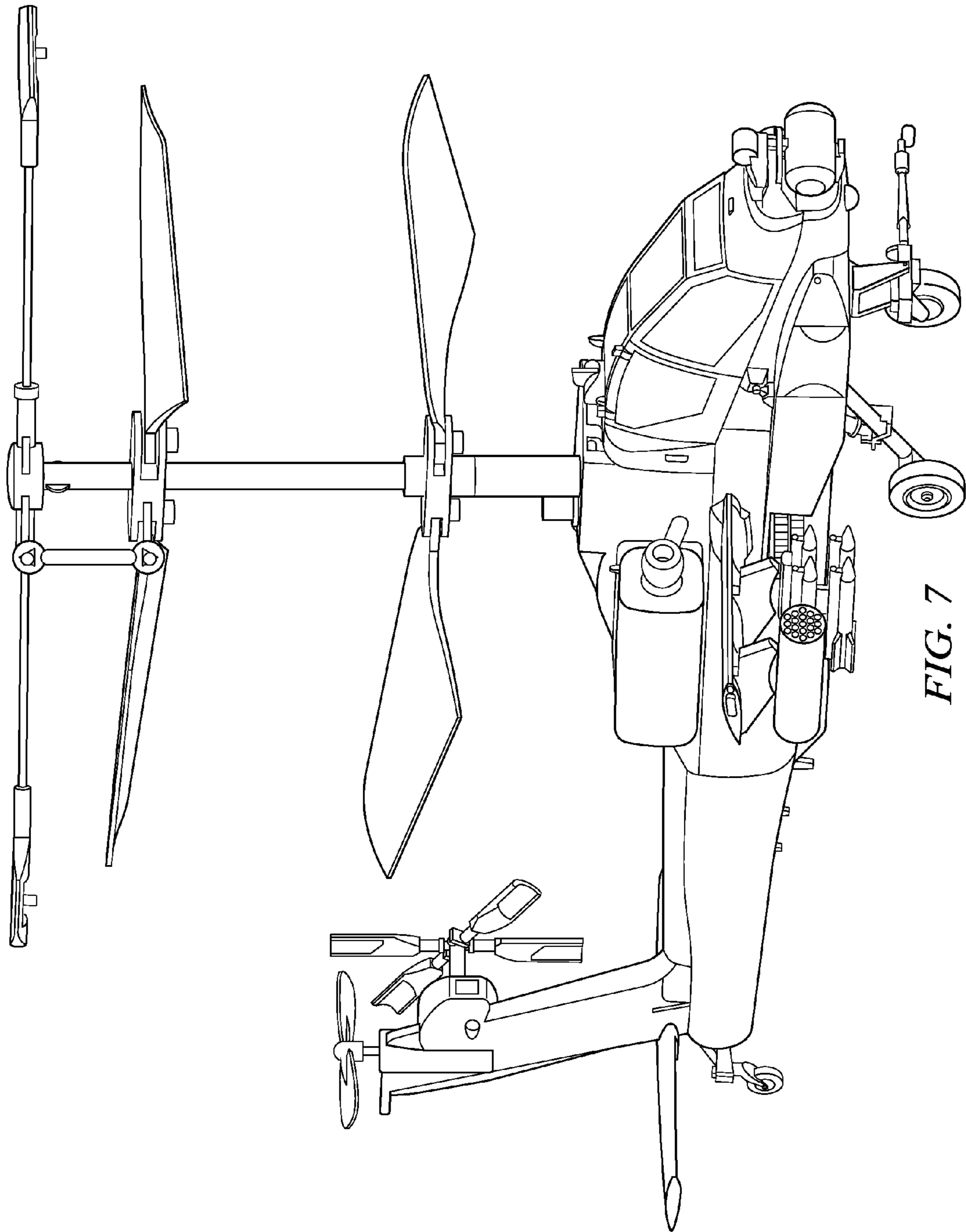


FIG. 7



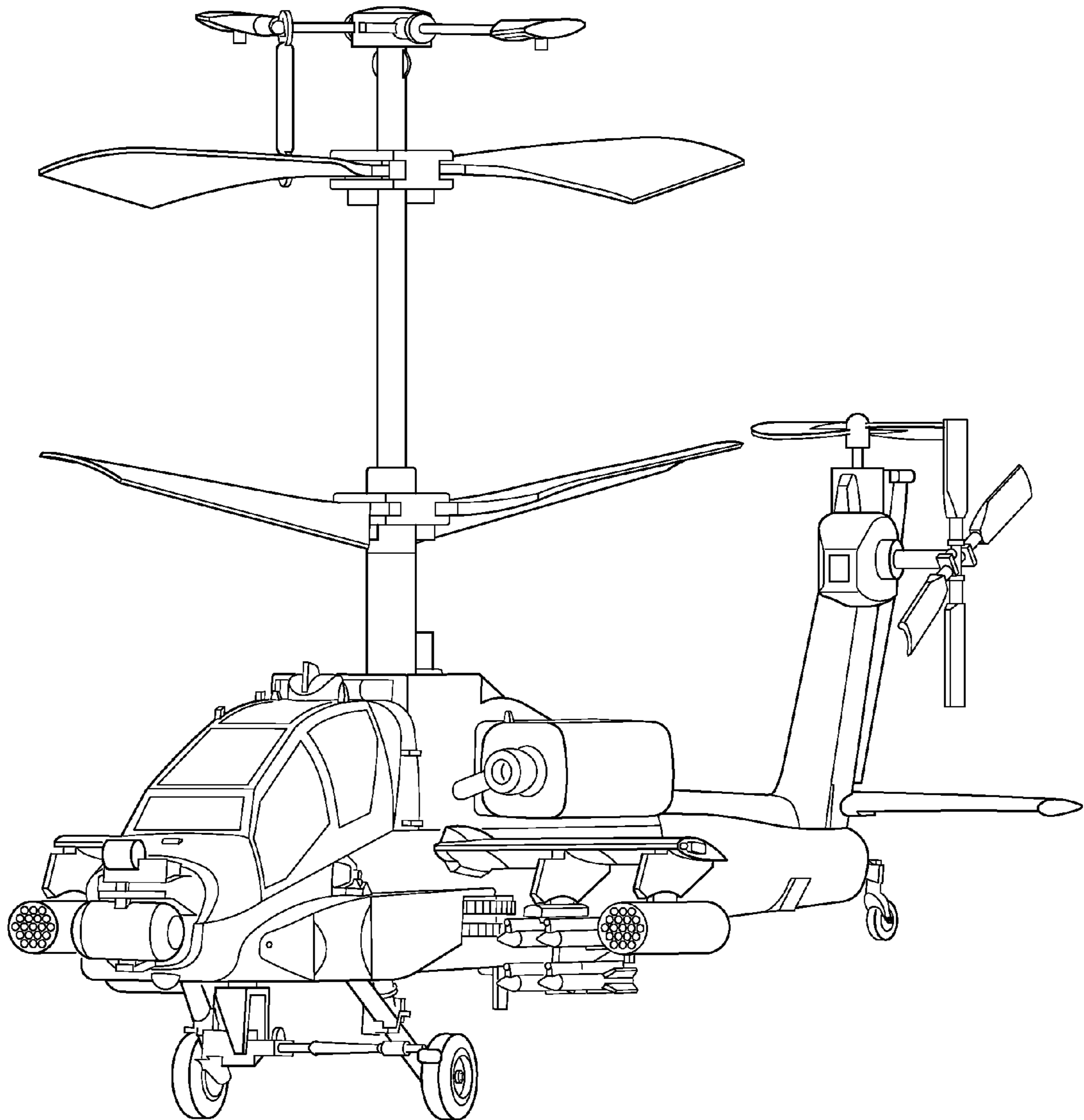


FIG. 8

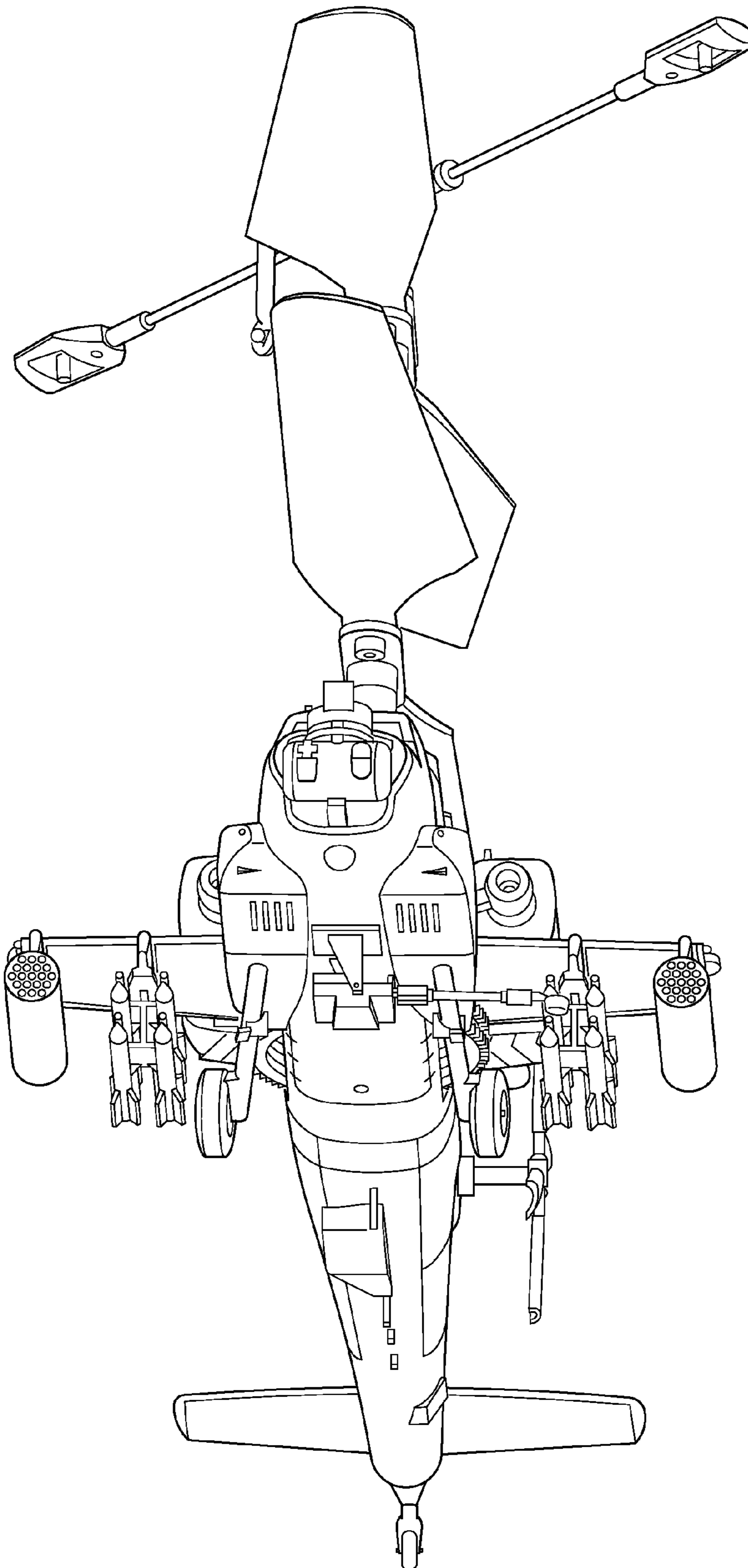


FIG. 9

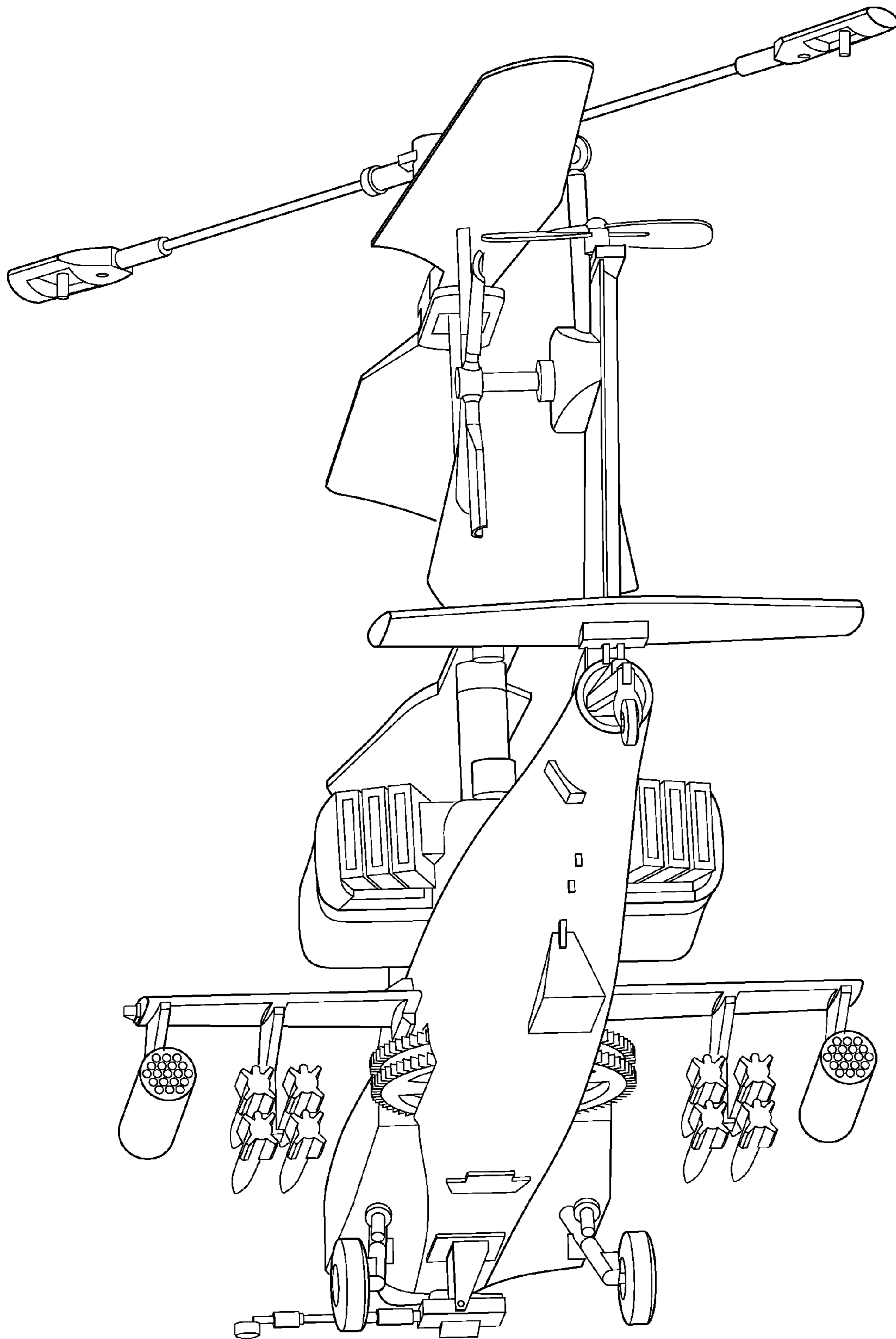


FIG. 10

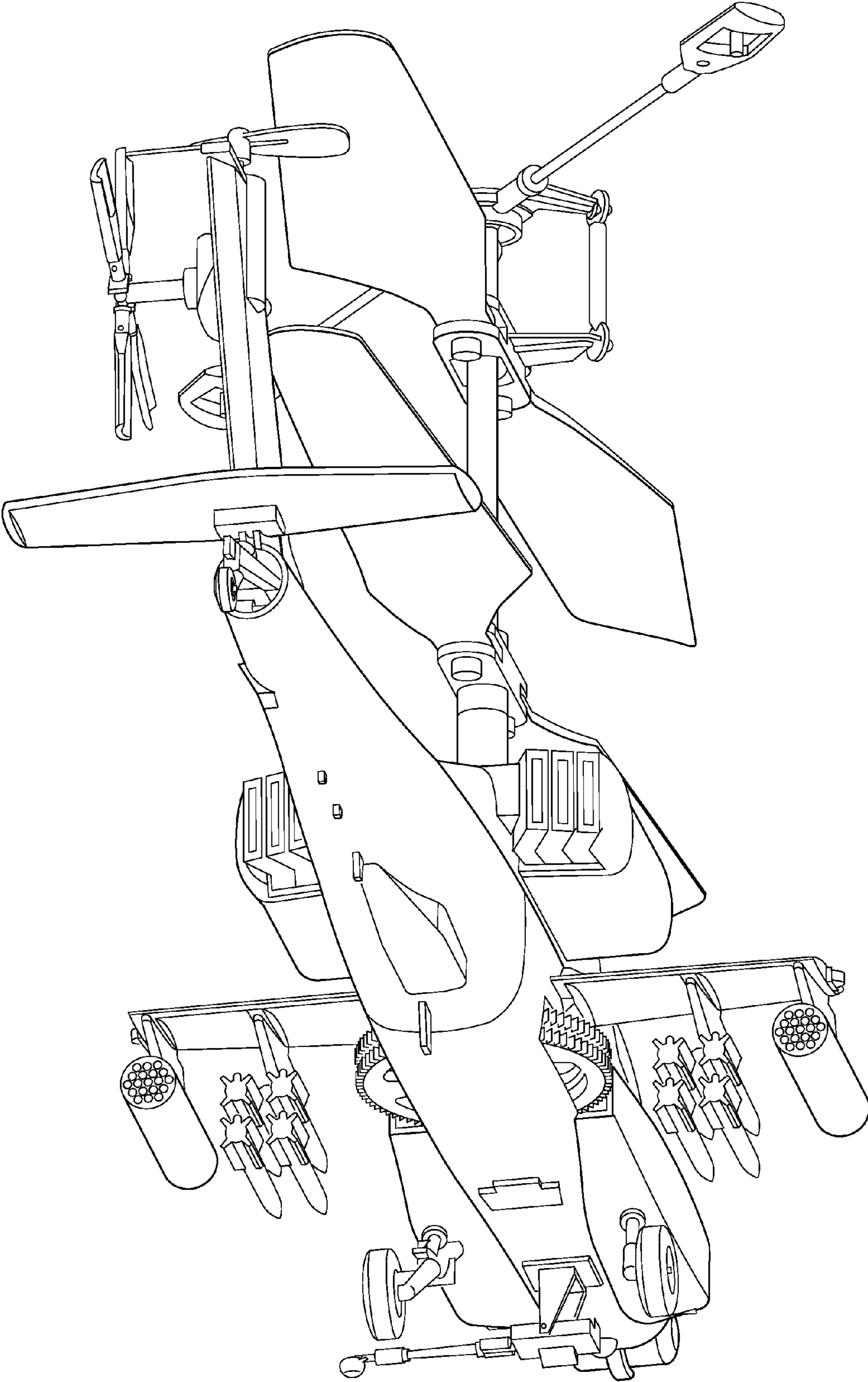


FIG. 11