



US00D633950S

(12) **United States Design Patent**
Terpstra et al.

(10) **Patent No.:** **US D633,950 S**
(45) **Date of Patent:** **** Mar. 8, 2011**

(54) **TRIM FOR GAMING MACHINE**

(75) Inventors: **Lee M. Terpstra**, Fort Lauderdale, FL (US); **Ryan D. McComb**, Grand Rapids, MI (US); **Brian R. Soules**, Newaygo, MI (US)

(73) Assignee: **Spec International, Inc.**, Grand Rapids, MI (US)

(**) Term: **14 Years**

(21) Appl. No.: **29/351,914**

(22) Filed: **Dec. 14, 2009**

(51) **LOC (9) Cl.** **21-03**

(52) **U.S. Cl.** **D21/369; D21/385**

(58) **Field of Classification Search** D21/324–331,
D21/369–371, 385; 273/274, 292; 463/16–17,
463/20, 31, 46–47

See application file for complete search history.

(56) **References Cited**

U.S. PATENT DOCUMENTS

D495,754 S * 9/2004 Wurz et al. D21/370
D495,755 S * 9/2004 Wurz et al. D21/370
D508,268 S * 8/2005 Hanchar et al. D21/369
D566,197 S * 4/2008 Greenberg et al. D21/370
2009/0275389 A1 * 11/2009 Englman et al. 463/20

OTHER PUBLICATIONS

Bluebird Slant Widescreen® literature from www.wms.com/technologyandinnovation_cabinets_widescreen.php dated May 19, 2009, showing a gaming machine cabinet that was sold and/or publicly disclose at least as early as Dec. 13, 2008 (5 pages).

Spec International, Inc. GEN-311 gaming machine cabinet, publicly disclosed at least as early as Dec. 13, 2008.

* cited by examiner

Primary Examiner — Sandra Morris

(74) *Attorney, Agent, or Firm* — Price, Heneveld, Cooper, DeWitt & Litton, LLP

(57) **CLAIM**

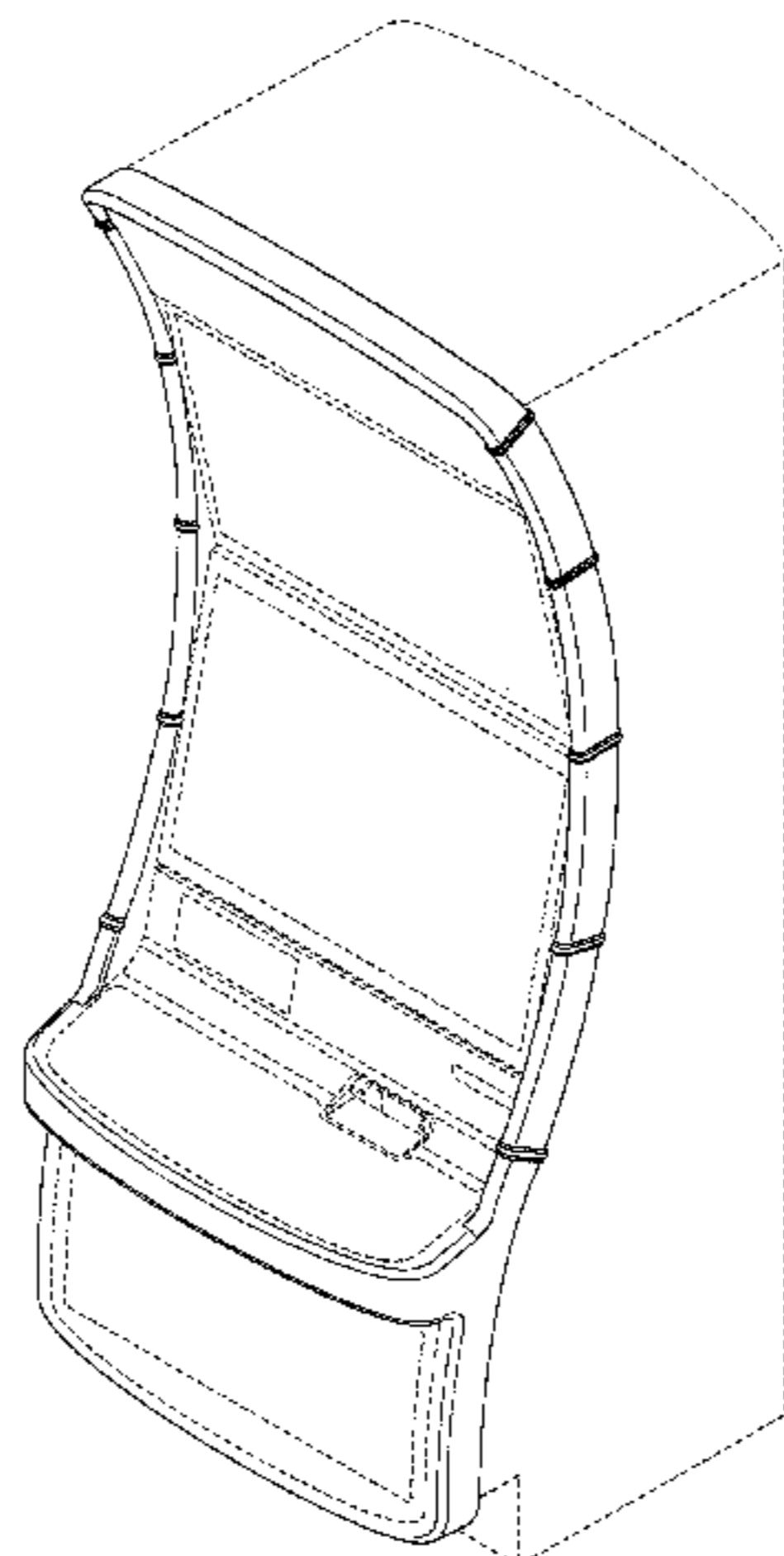
The ornamental design for a trim for gaming machine, as shown and described.

DESCRIPTION

FIG. 1 is an isometric view of the trim for gaming machine, showing our new design;
FIG. 2 is a front elevational view;
FIG. 3 is a right elevational view;
FIG. 4 is a left elevational view;
FIG. 5 is a rear elevational view;
FIG. 6 is a top plan view;
FIG. 7 is a bottom plan view;
FIG. 8 is an isometric view of another embodiment of the trim for gaming machine, showing our new design;
FIG. 9 is a front elevational view;
FIG. 10 is a right elevational view;
FIG. 11 is a left elevational view;
FIG. 12 is a rear elevational view;
FIG. 13 is a top plan view;
FIG. 14 is a bottom plan view;
FIG. 15 is an isometric view of another embodiment of the trim for gaming machine, showing our new design;
FIG. 16 is a front elevational view;
FIG. 17 is a right elevational view;
FIG. 18 is a left elevational view;
FIG. 19 is a rear elevational view;
FIG. 20 is a top plan view;
FIG. 21 is a bottom plan view;
FIG. 22 is an isometric view of another embodiment of the trim for gaming machine, showing our new design;
FIG. 23 is a front elevational view;
FIG. 24 is a right elevational view;
FIG. 25 is a left elevational view;
FIG. 26 is a rear elevational view;
FIG. 27 is a top plan view; and,
FIG. 28 is a bottom plan view.

The dashed lines in the figures show the environment of the present design and are not part of the present design. The portions of the article that are not shown in the drawings form no part of the claimed design.

1 Claim, 24 Drawing Sheets



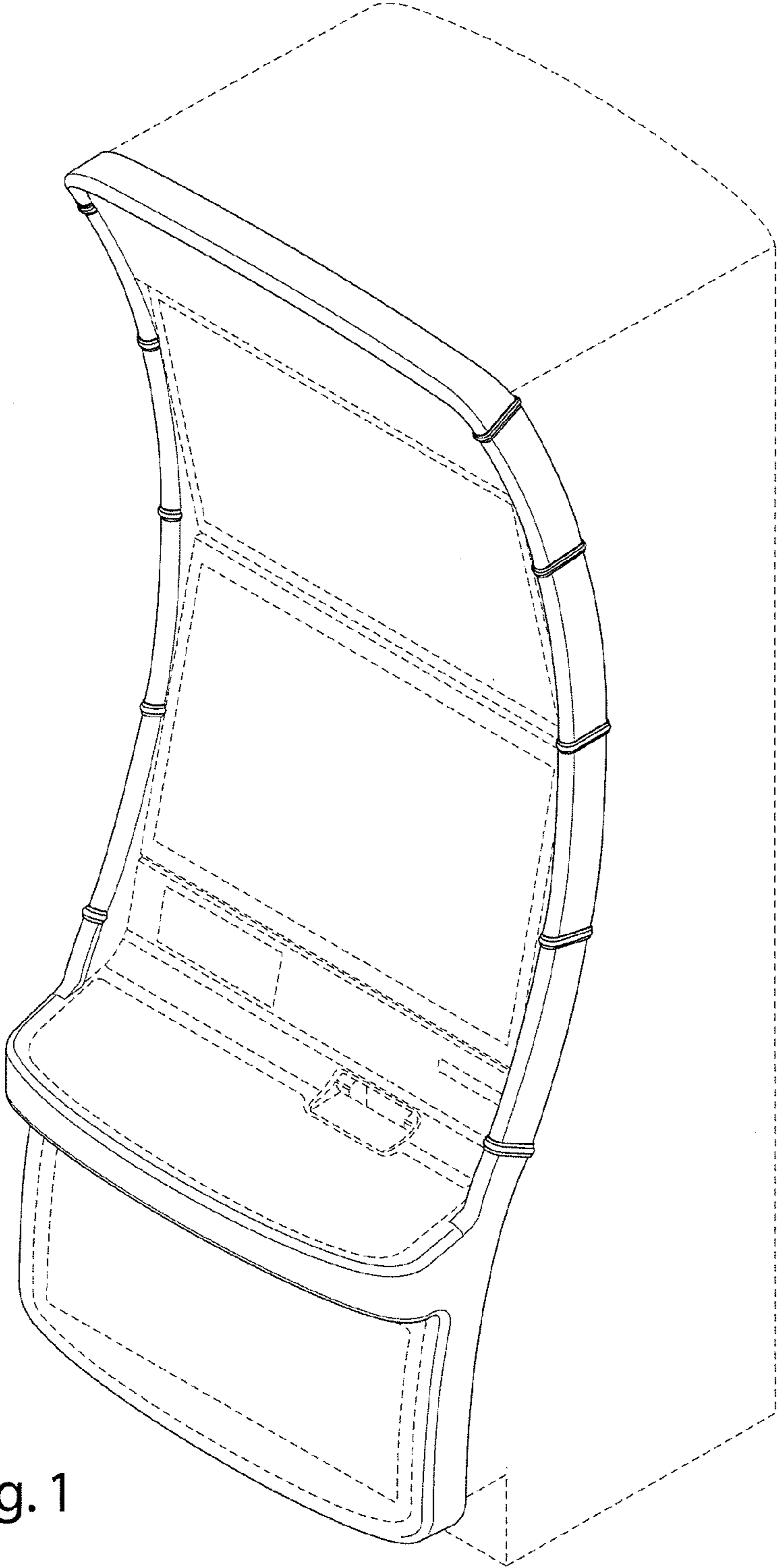


Fig. 1

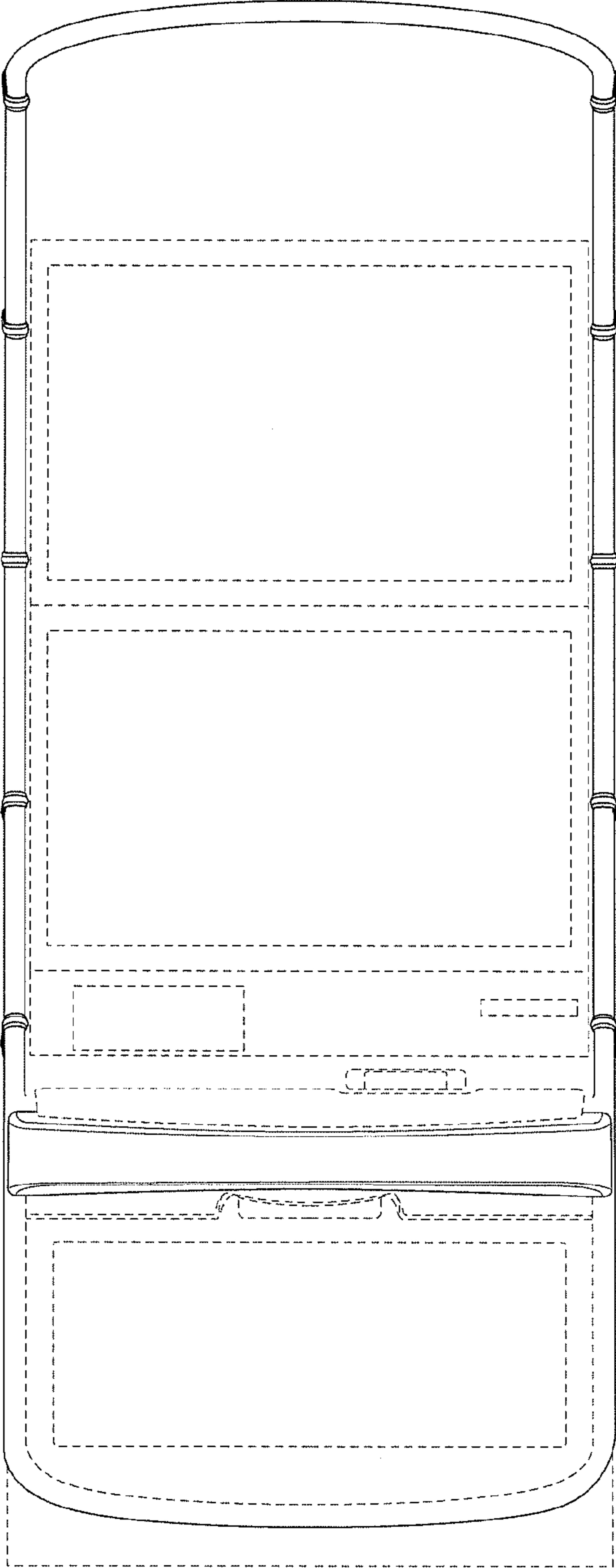
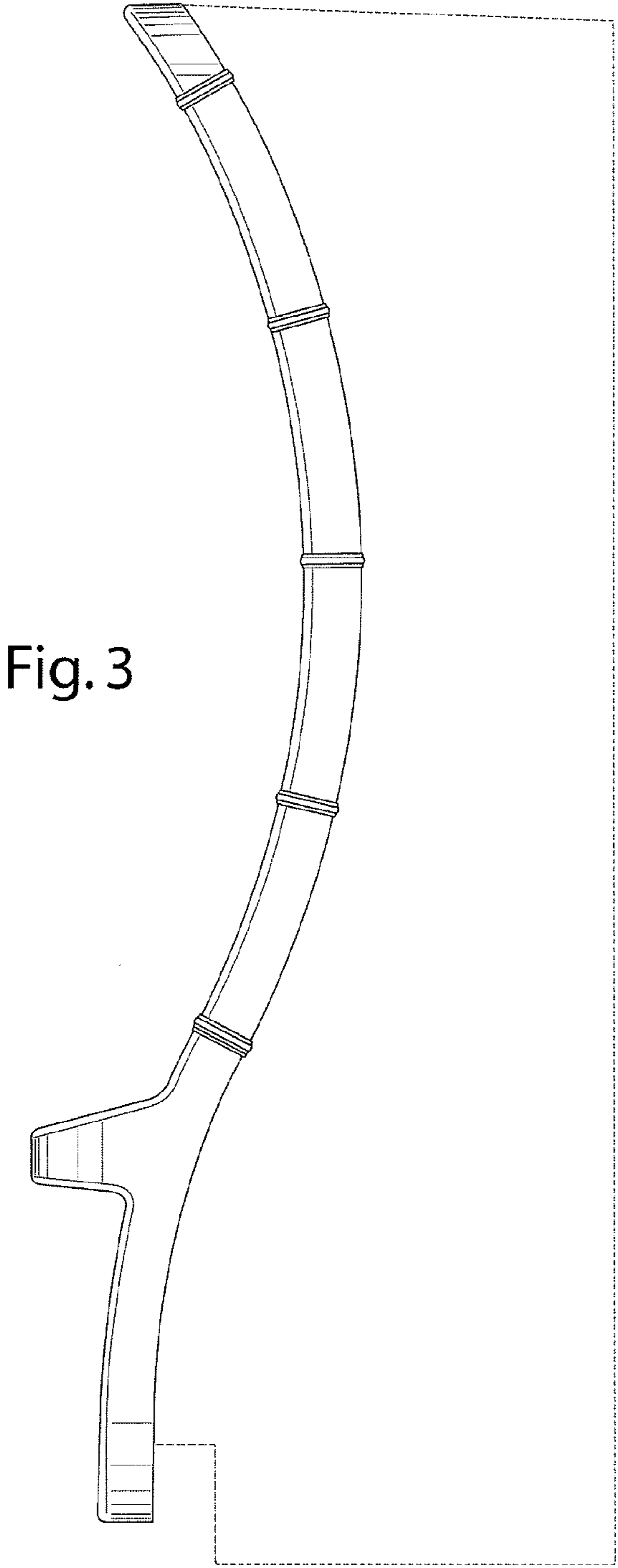


Fig. 2



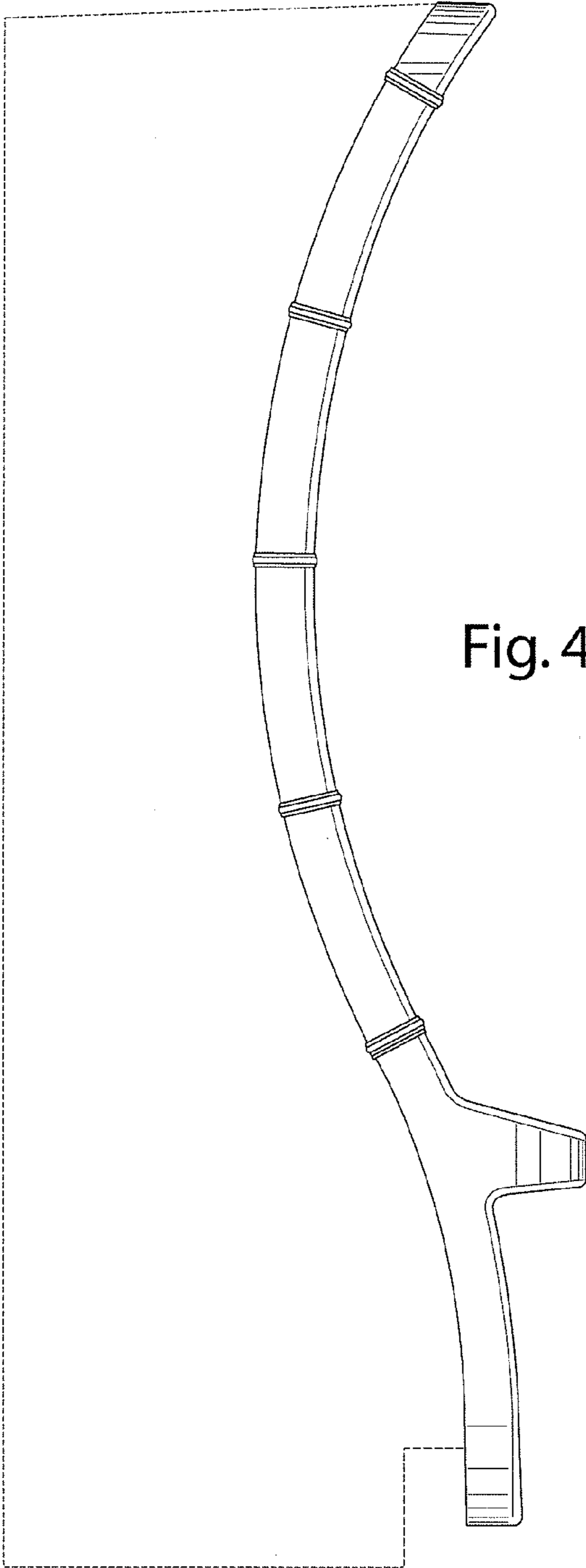


Fig. 4

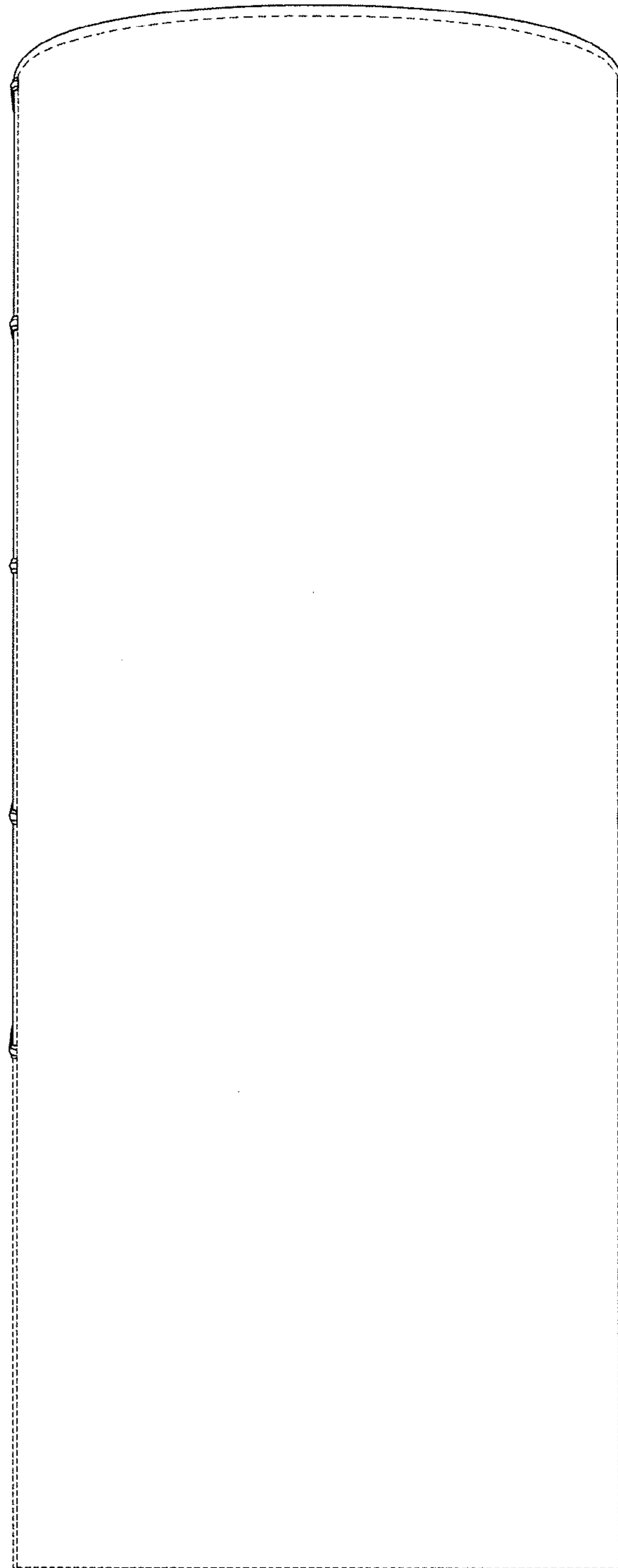


Fig. 5

Fig. 6

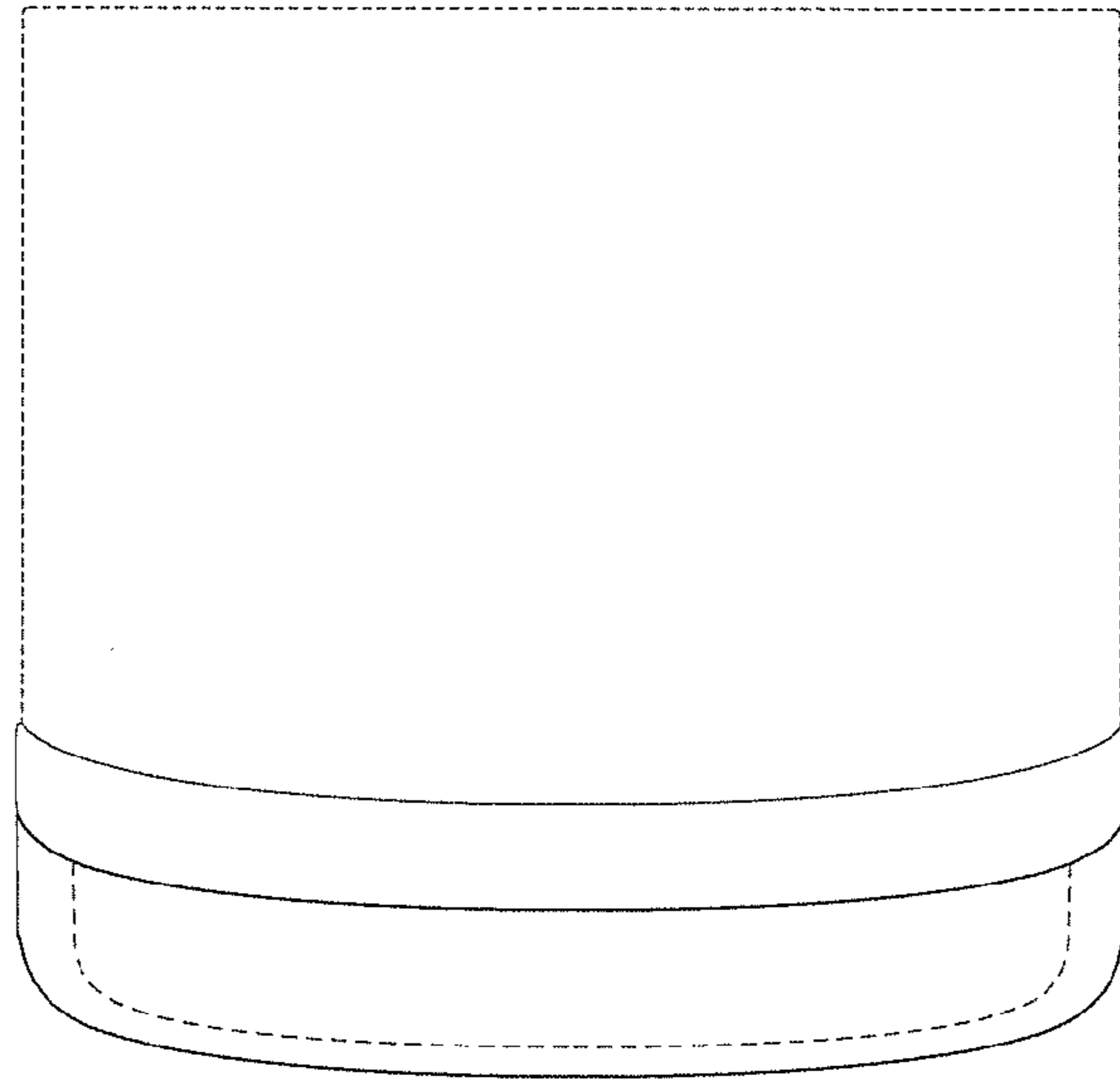
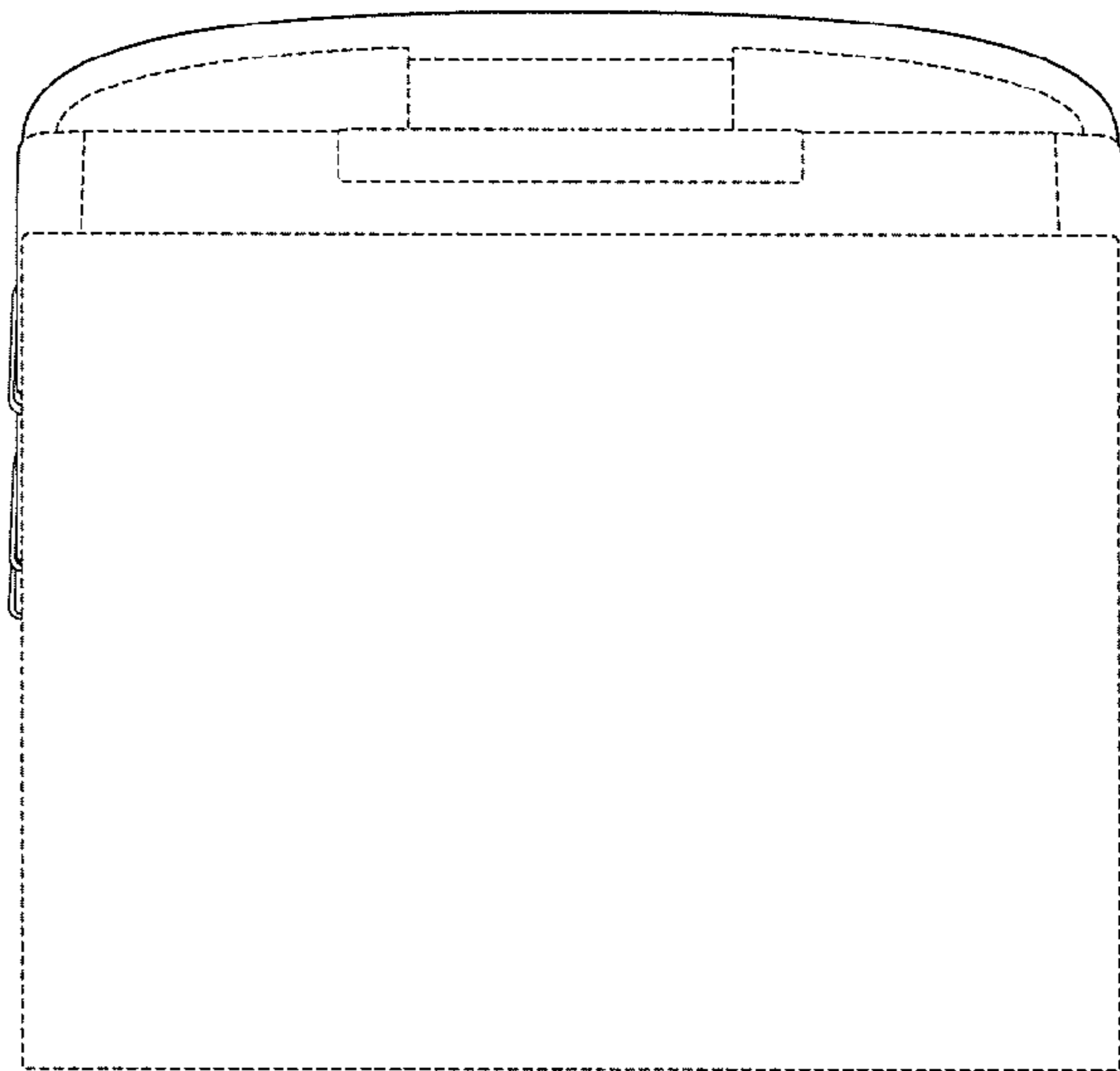


Fig. 7



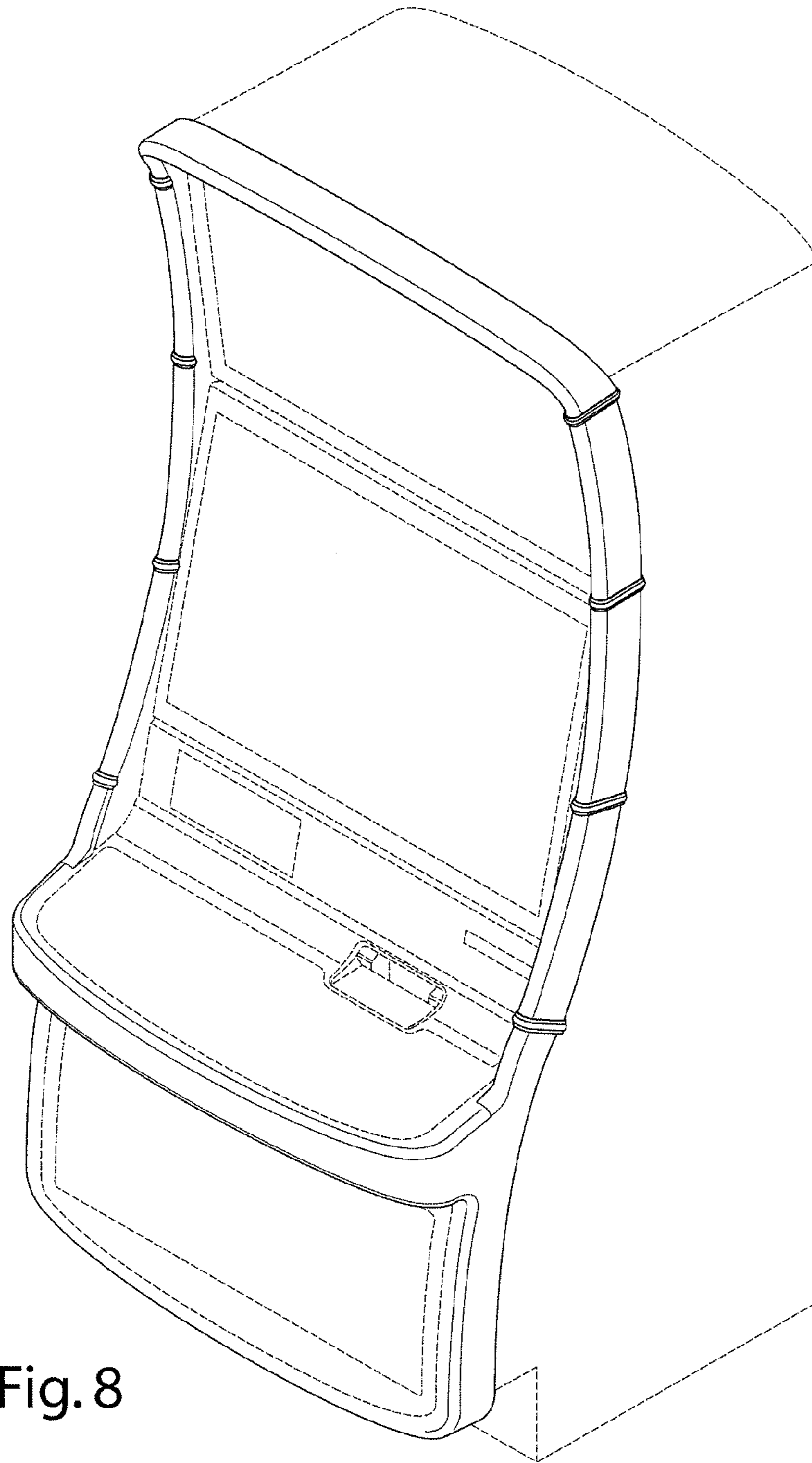


Fig. 8

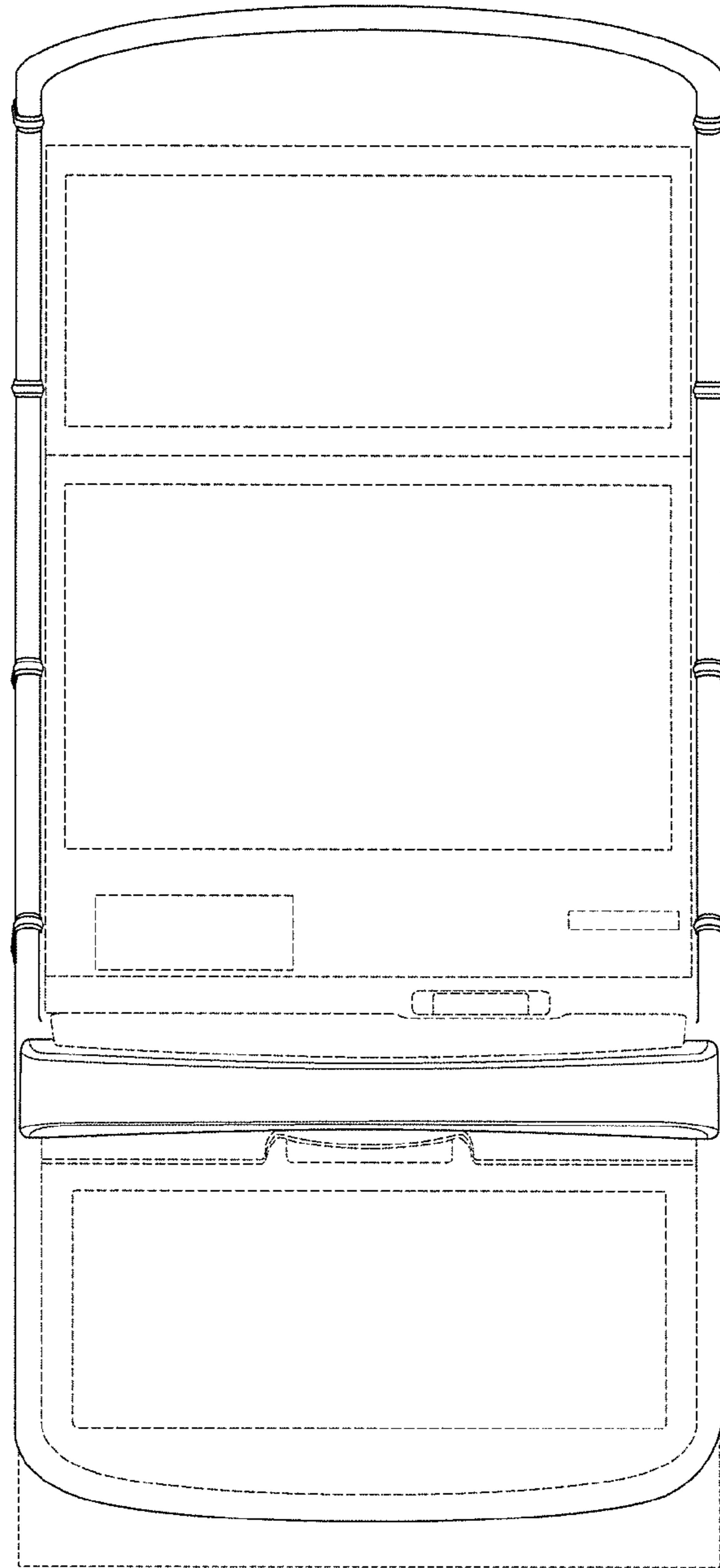
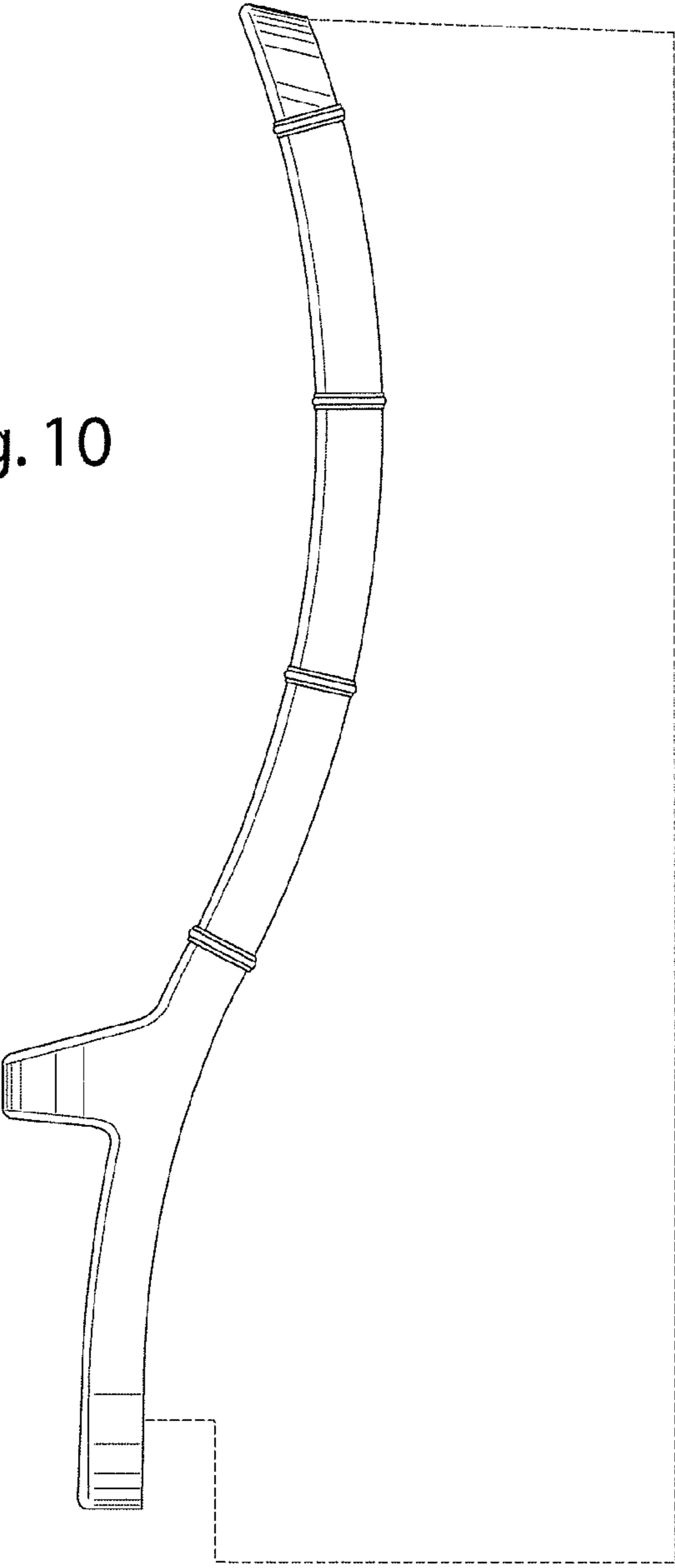


Fig. 9

Fig. 10



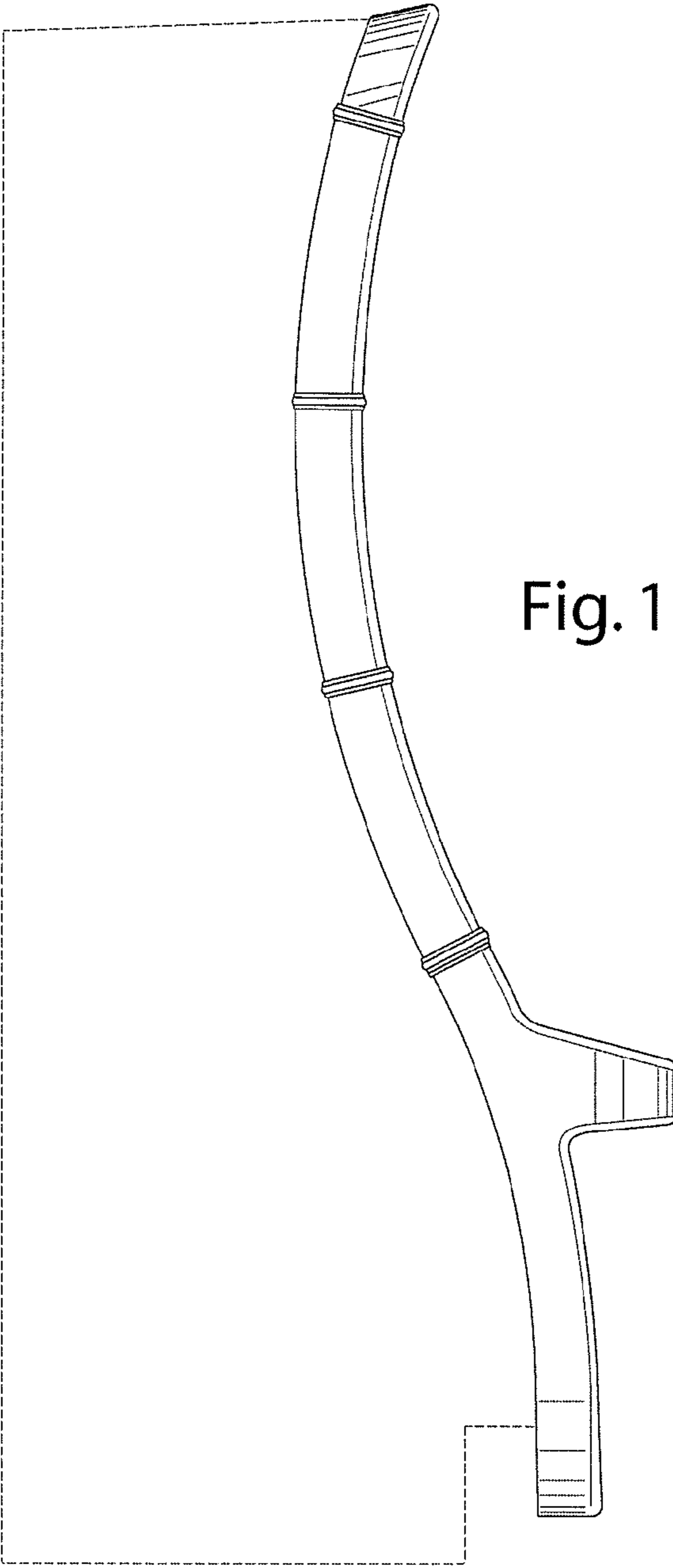


Fig. 11

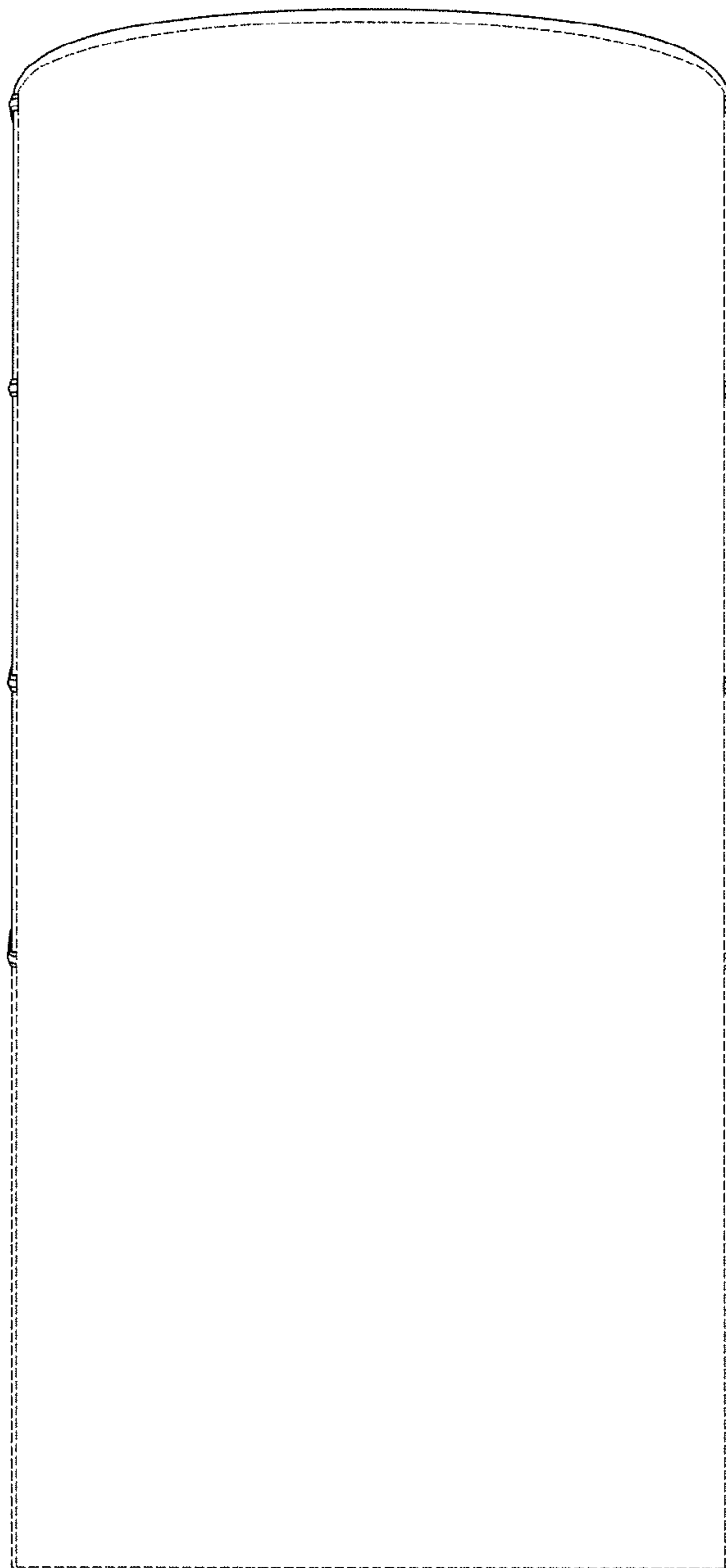


Fig. 12

Fig. 13

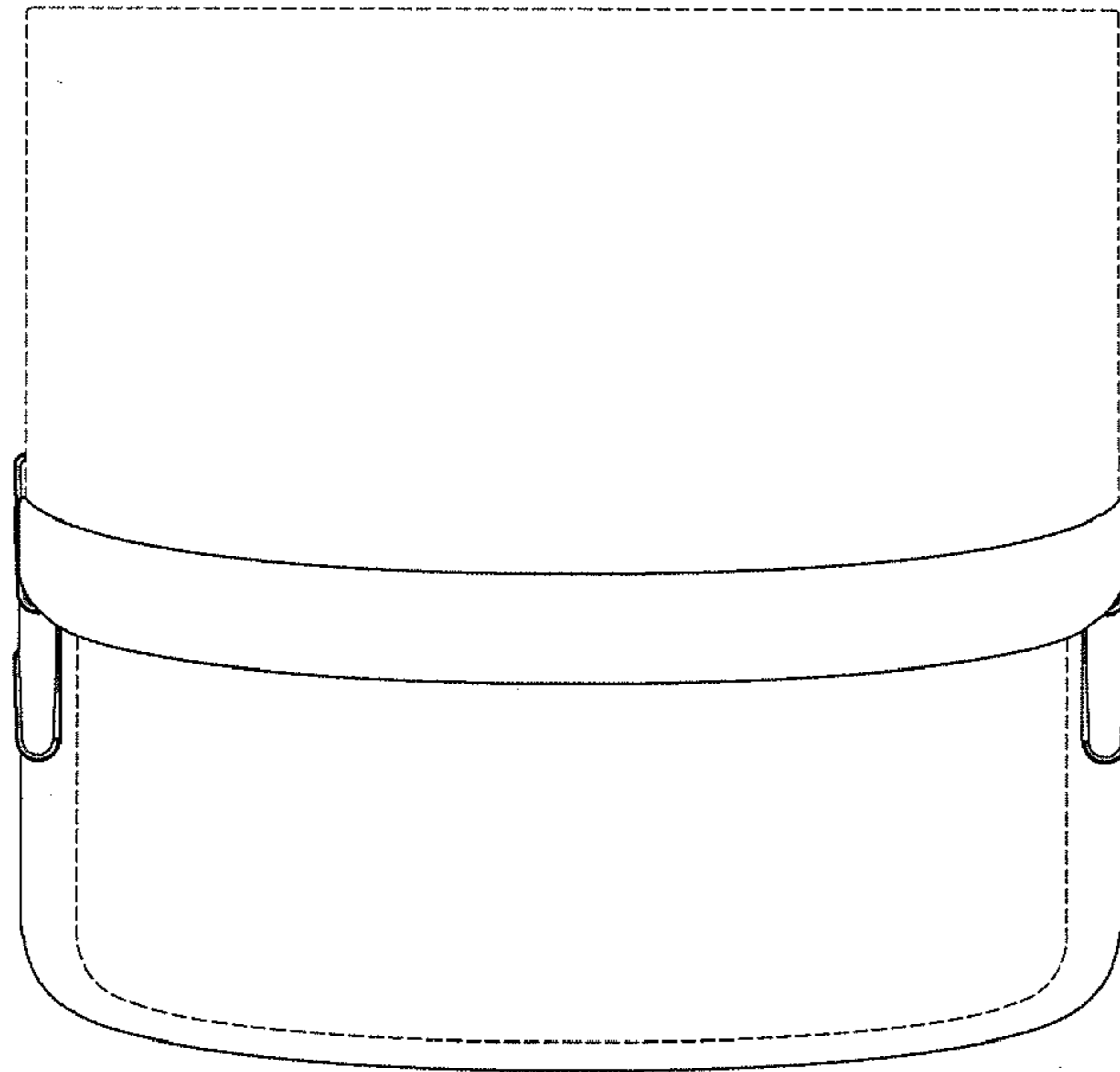
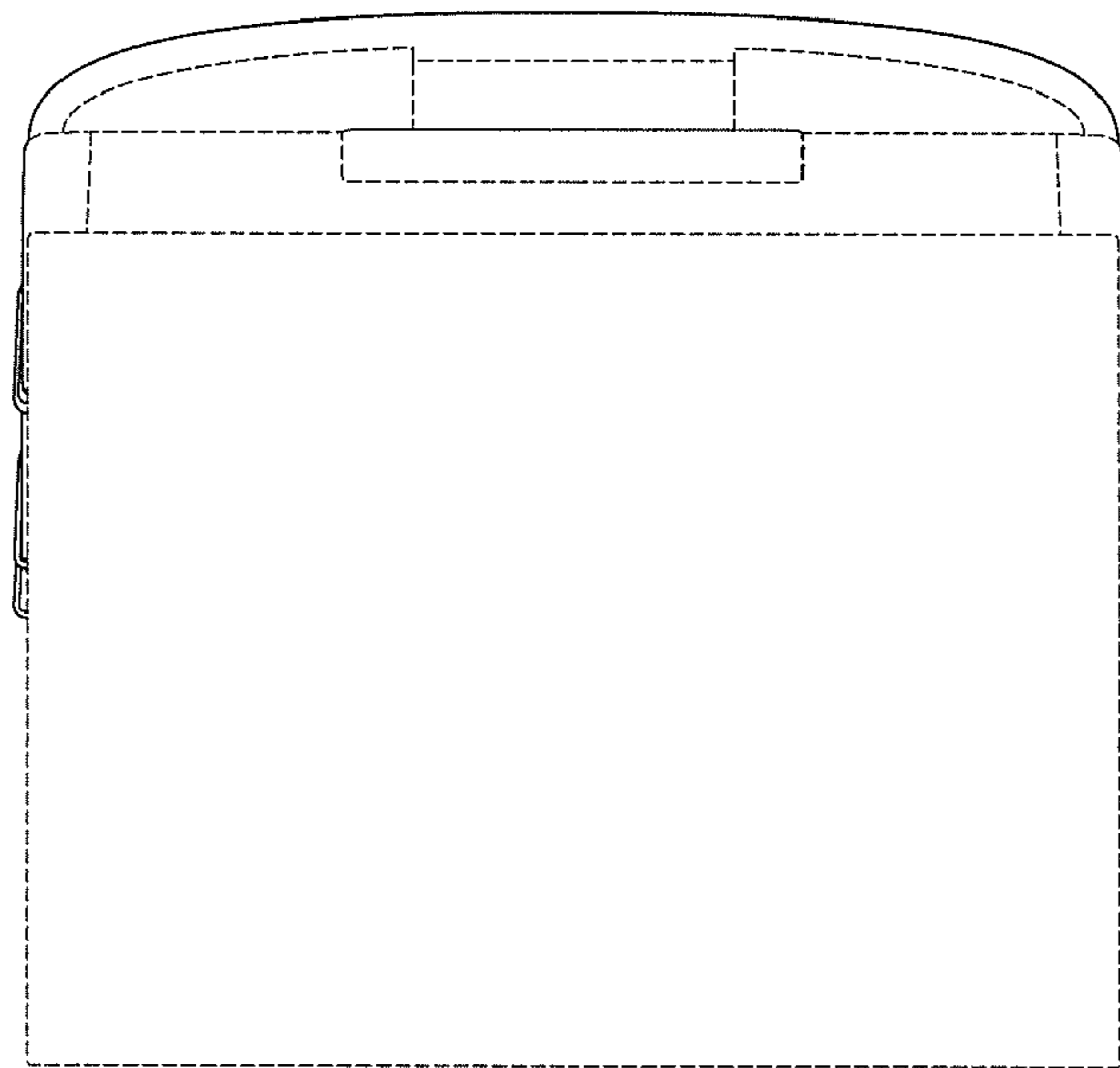


Fig. 14



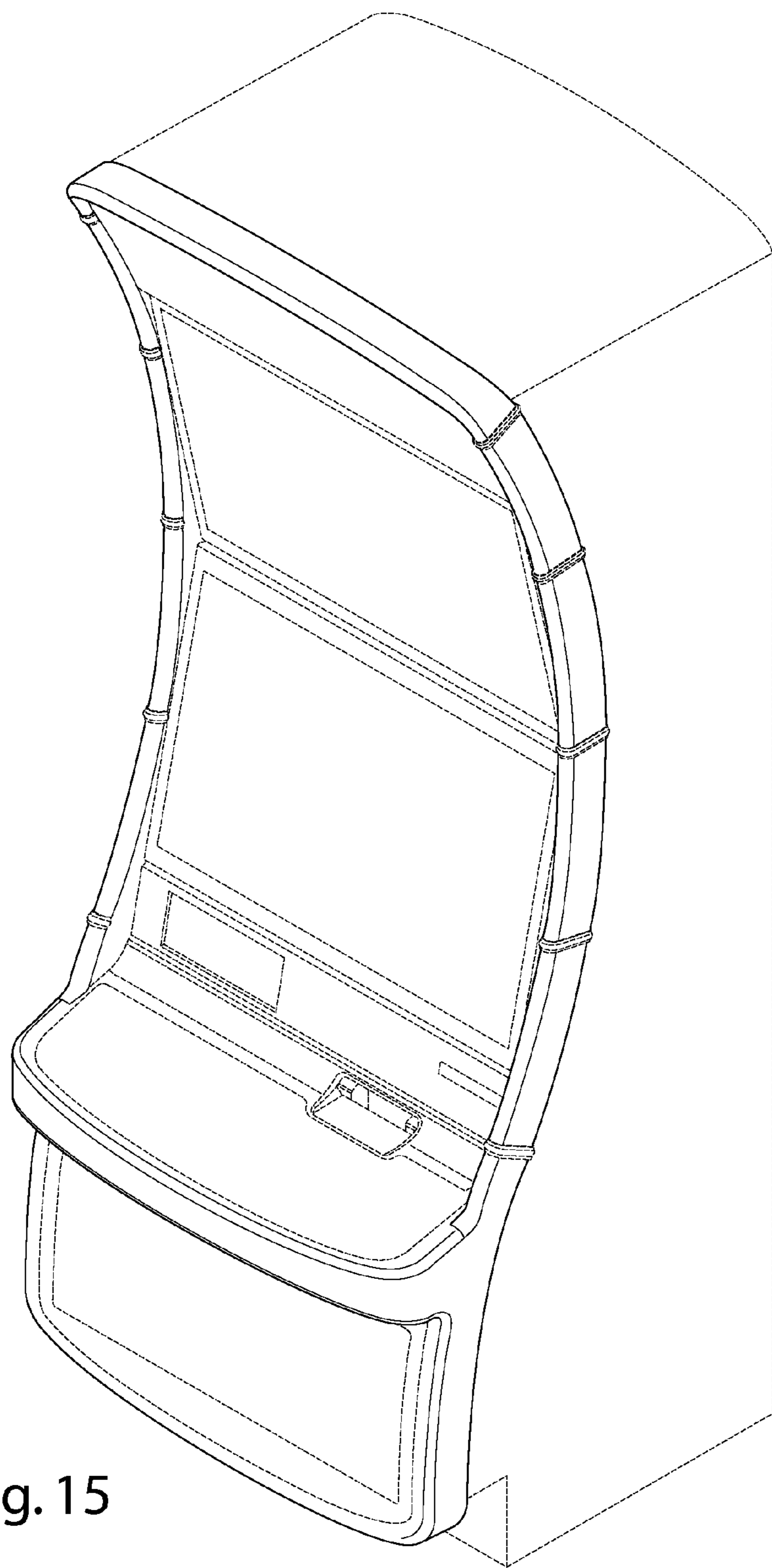


Fig. 15

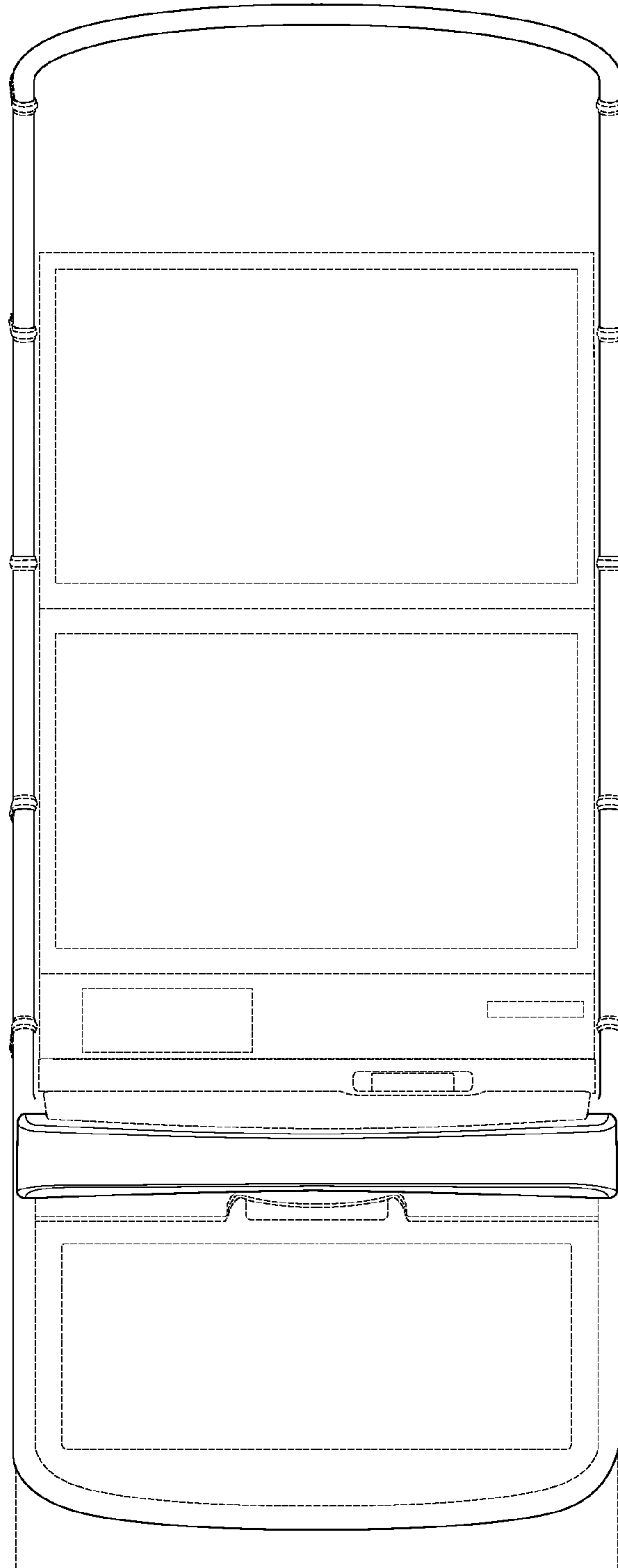


Fig. 16

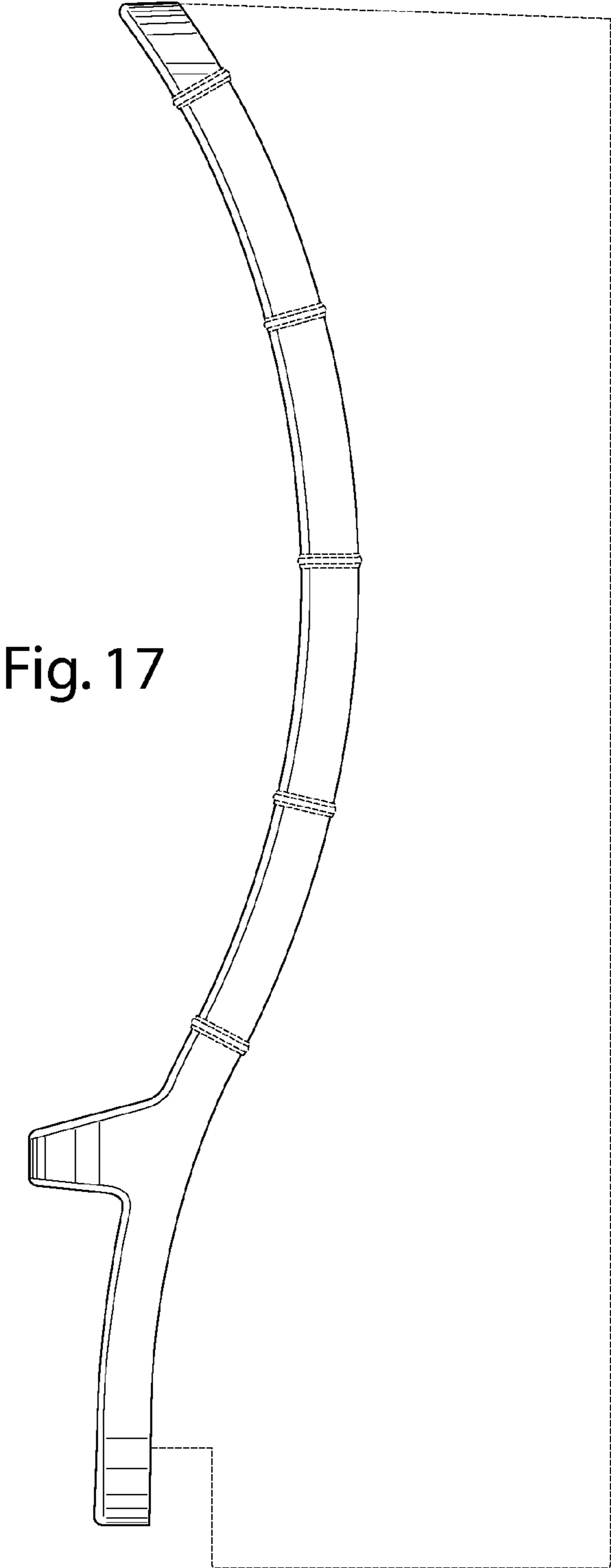


Fig. 17

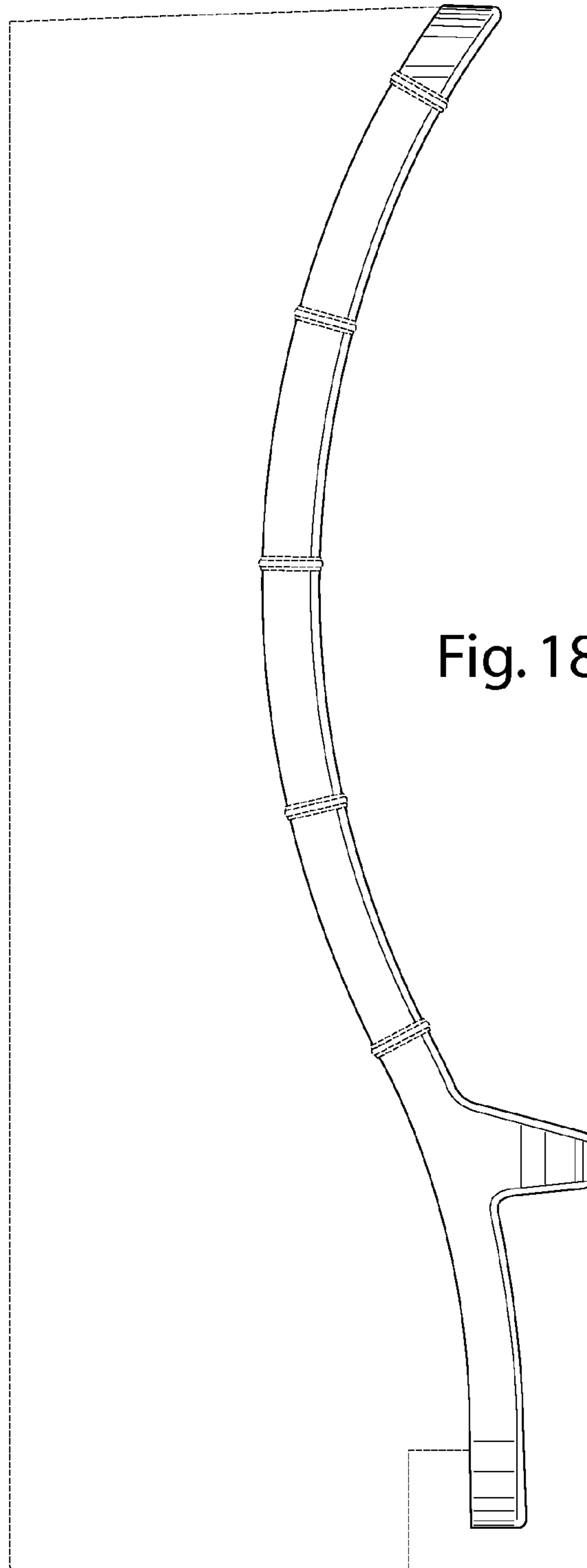


Fig. 18

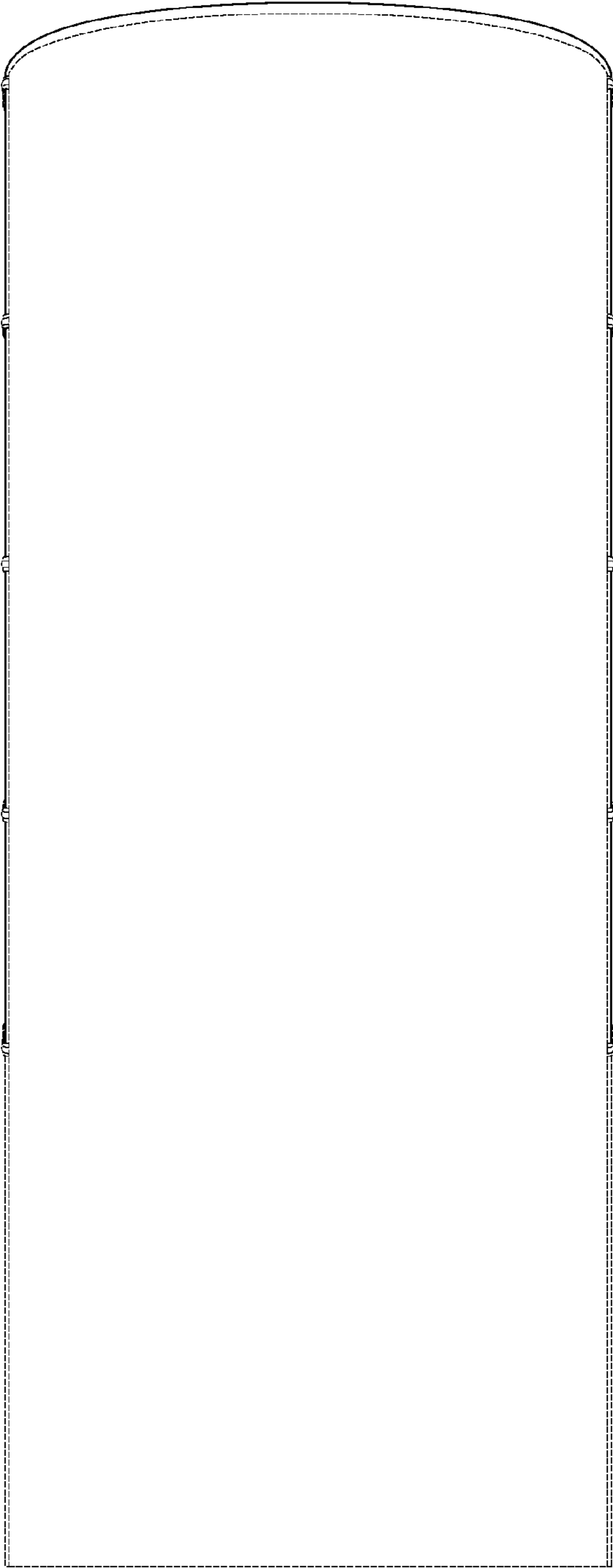


Fig. 19

Fig. 20

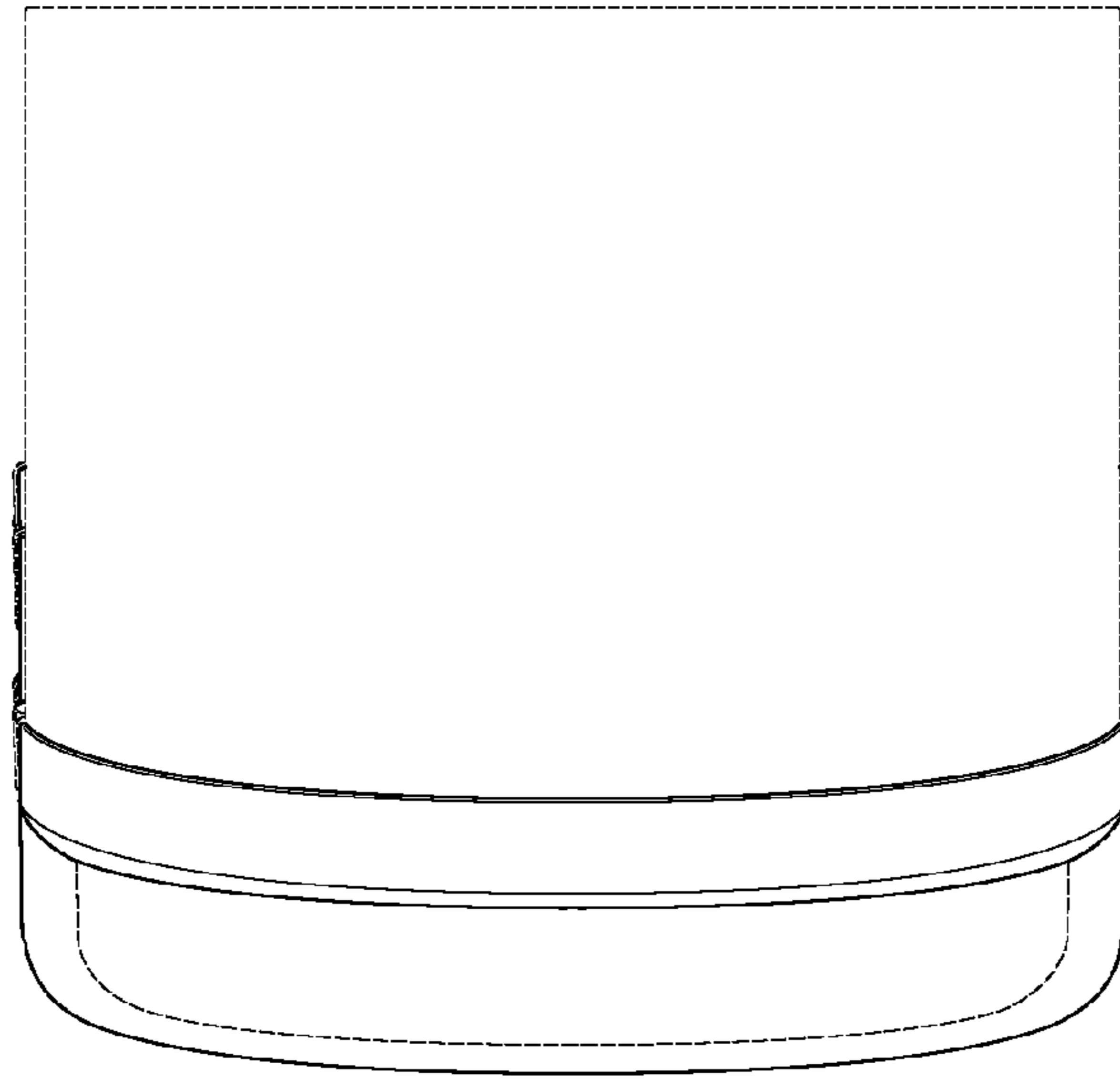
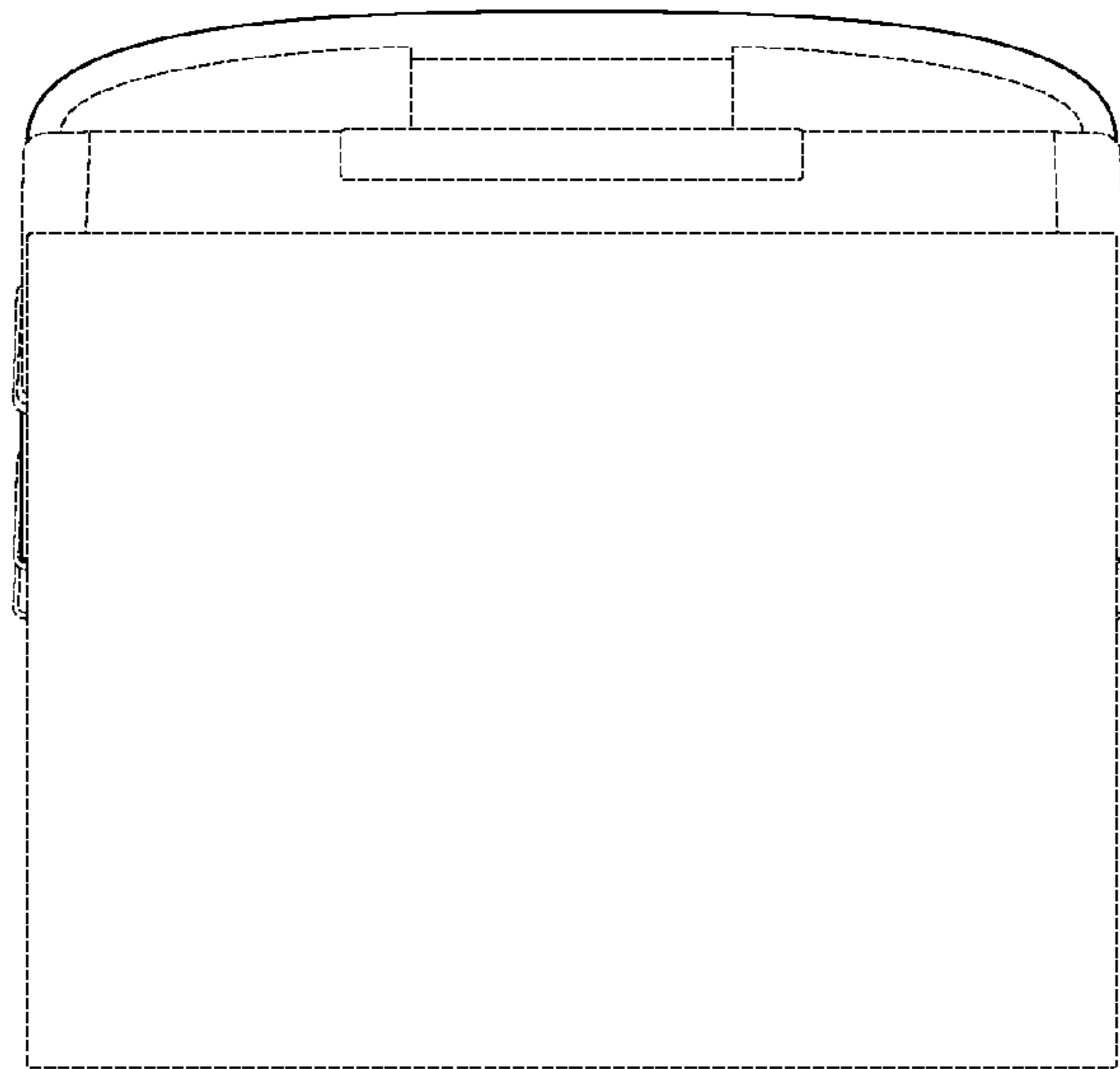


Fig. 21



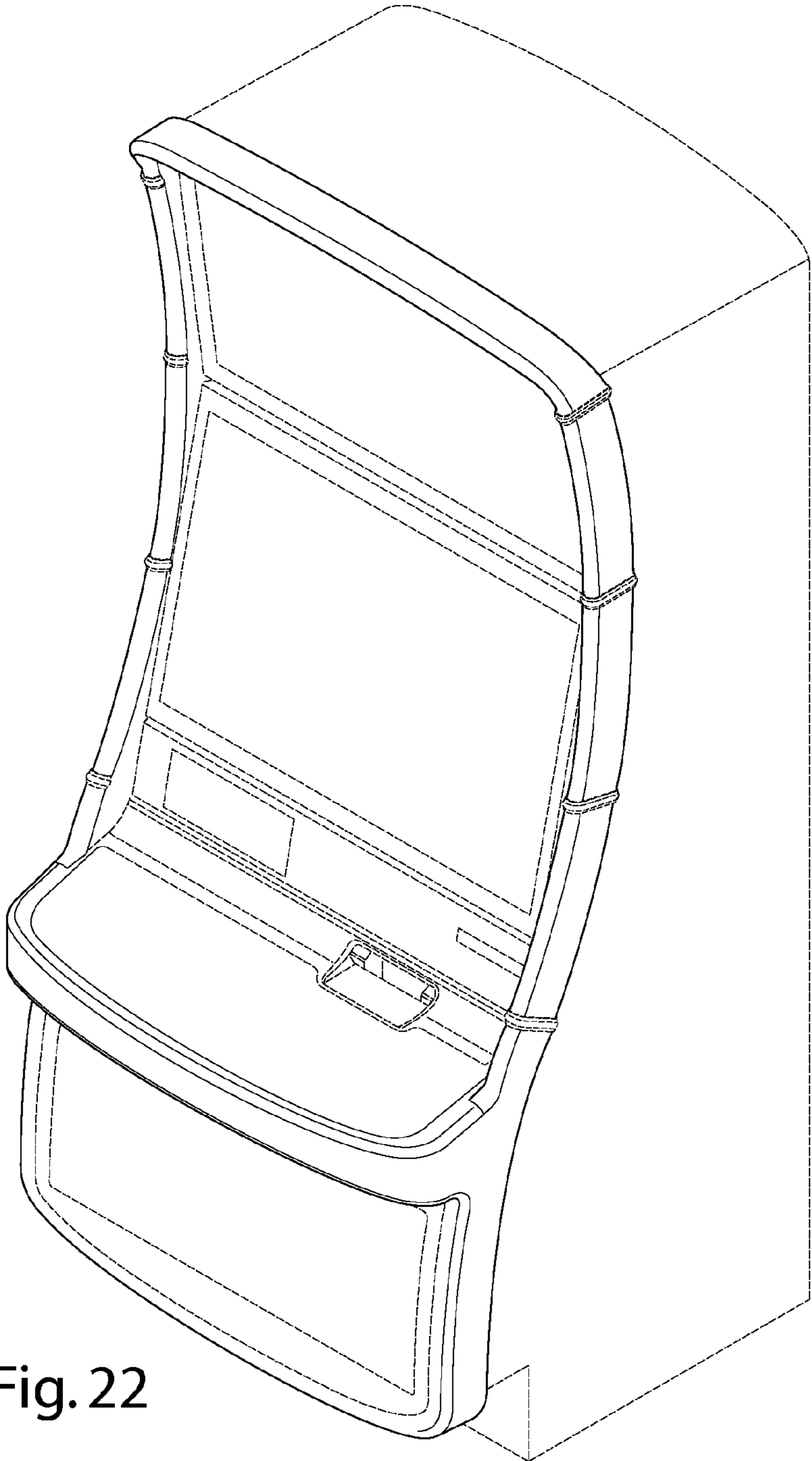


Fig. 22

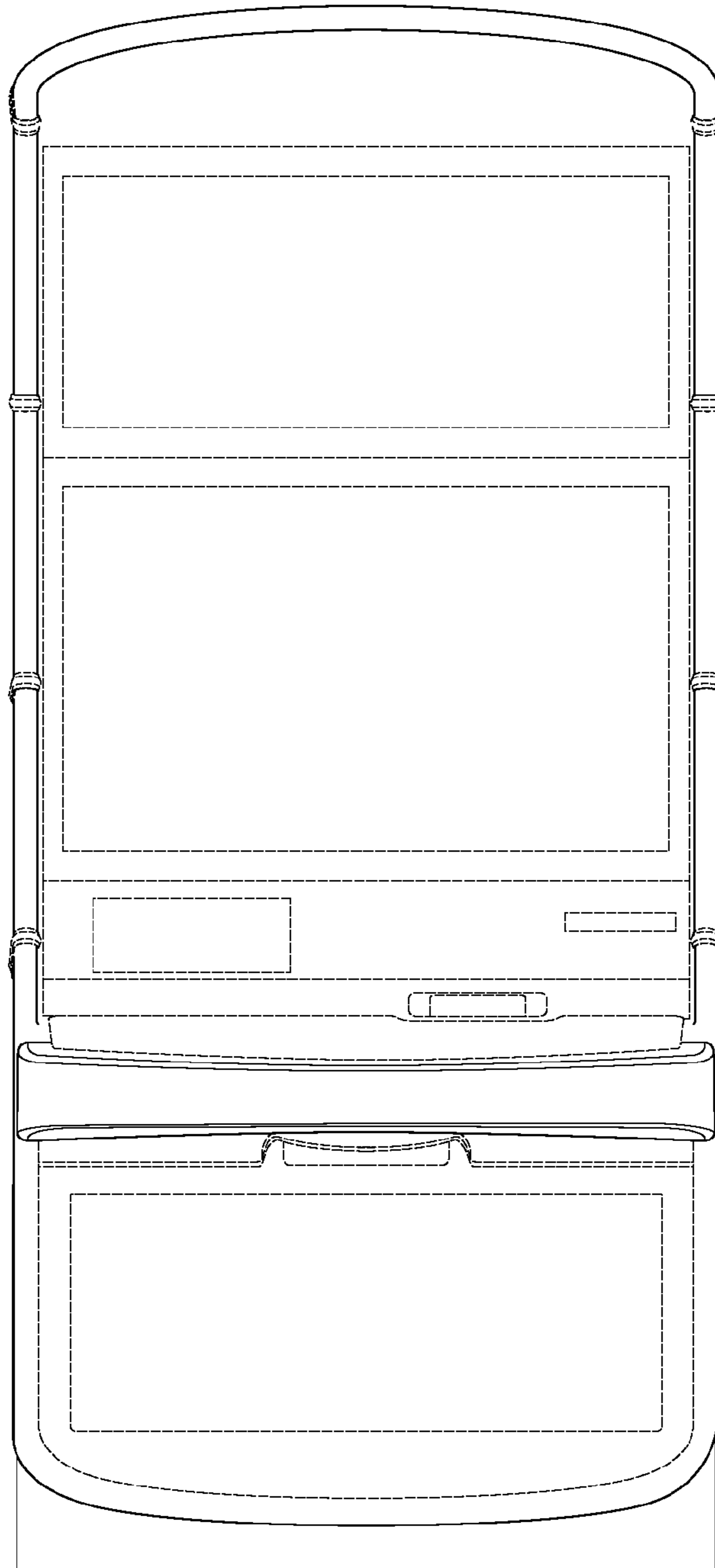
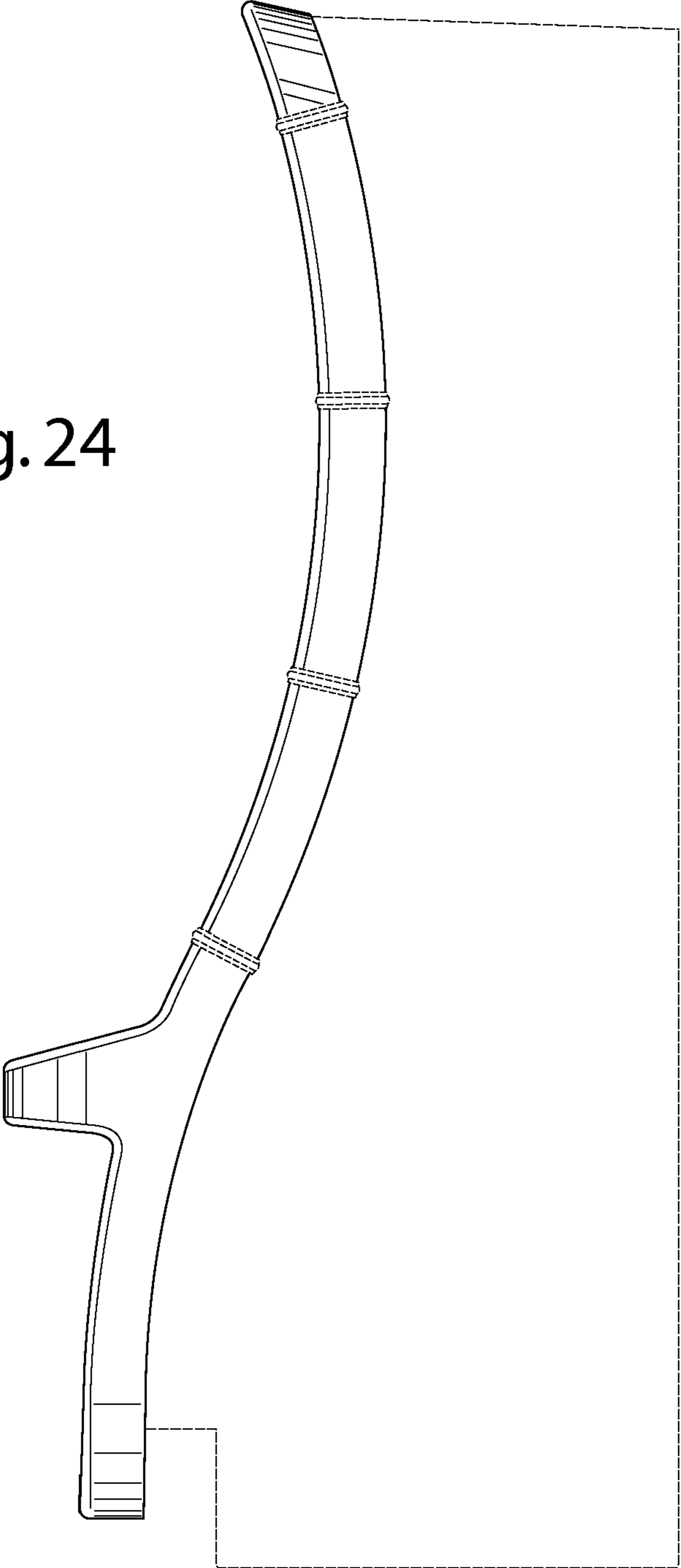


Fig. 23

Fig. 24



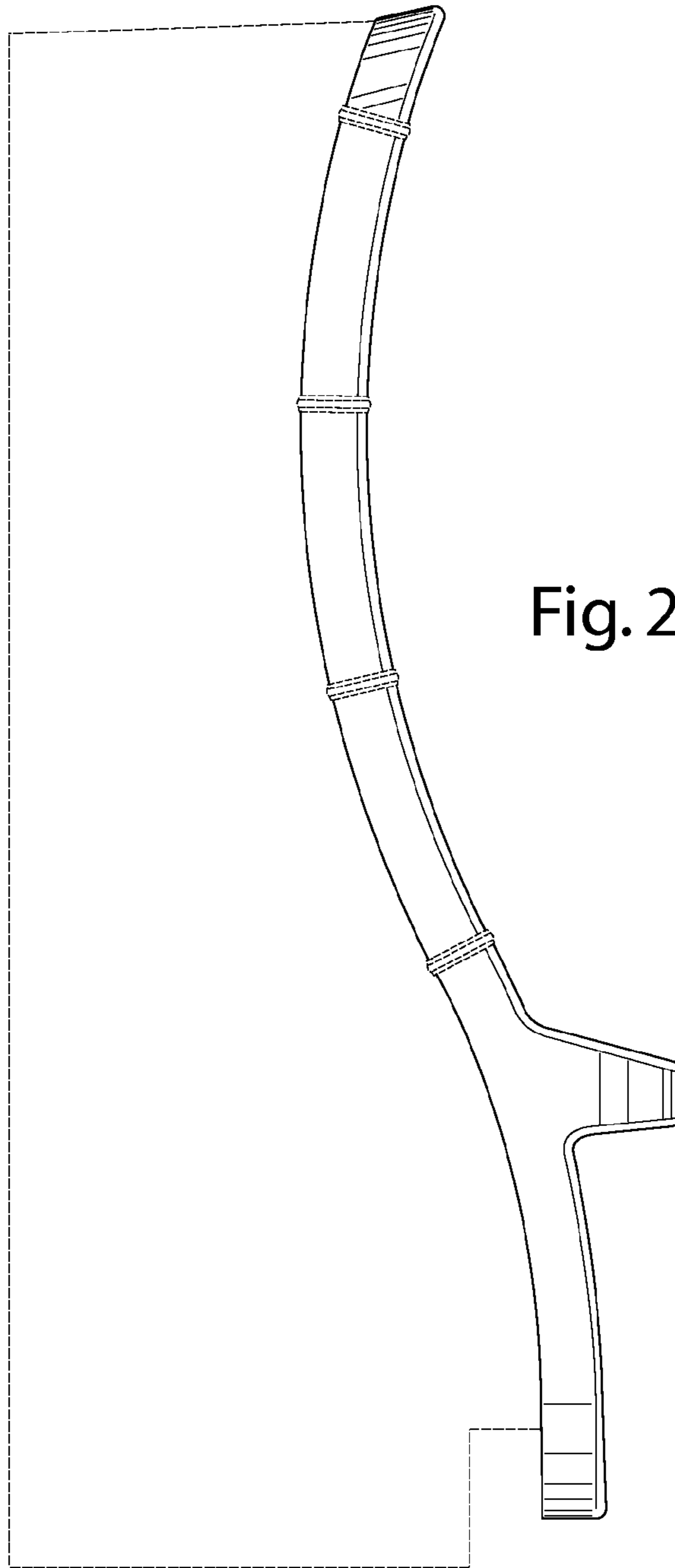


Fig. 25

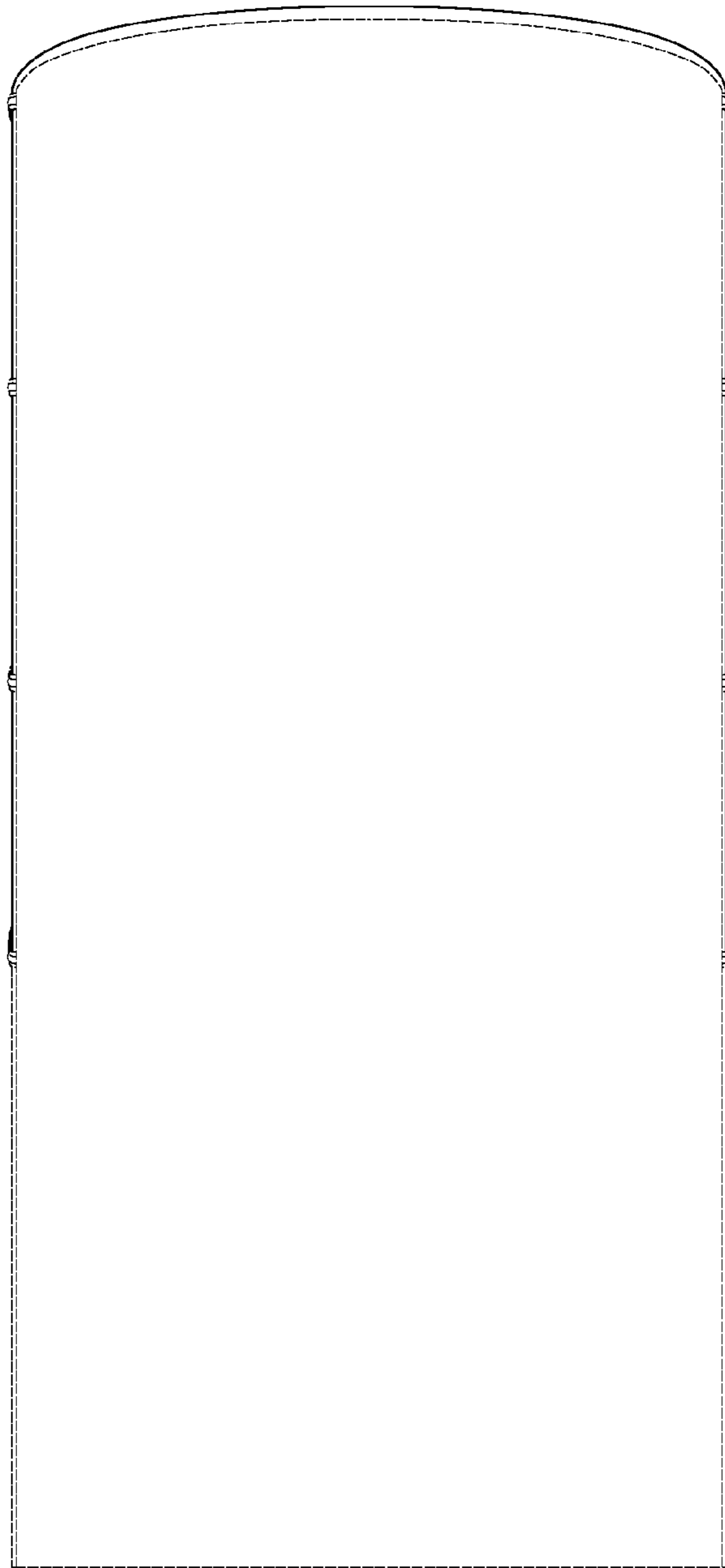


Fig. 26

Fig. 27

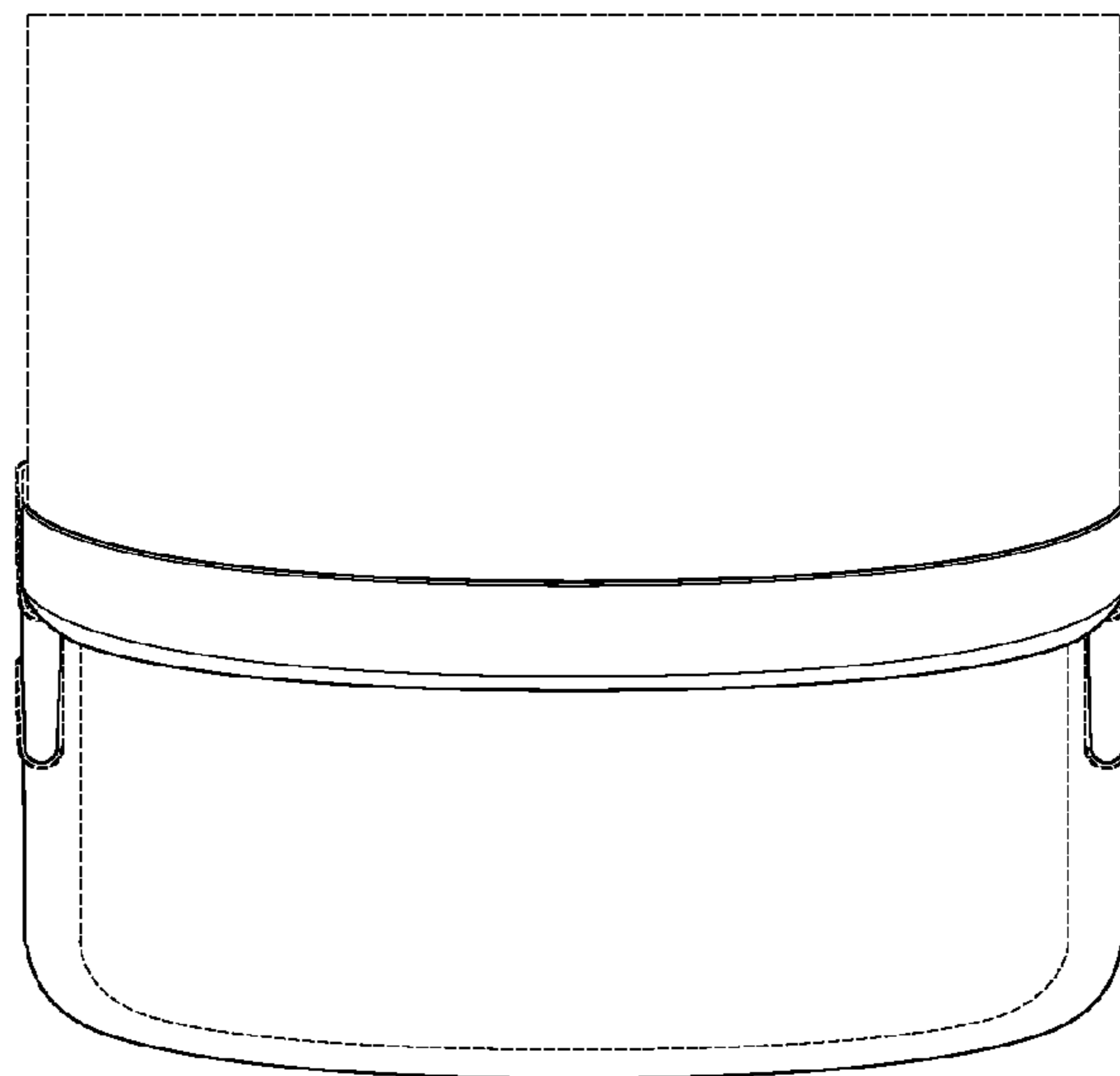


Fig. 28

