



US00D633949S

(12) **United States Design Patent**
Fayram

(10) **Patent No.:** **US D633,949 S**
(45) **Date of Patent:** **** Mar. 8, 2011**

(54) **PORTABLE ELECTRONIC GAMING DEVICE**

DESCRIPTION

(75) Inventor: **Richard Fayram**, Palo Alto, CA (US)

FIG. 1 illustrates a front elevational view of a portable electronic gaming device showing the invention's new design.

(73) Assignee: **LIF Capital**, San Leondro, CA (US)

FIG. 2 illustrates a rear elevational view thereof.

(**) Term: **14 Years**

FIG. 3 illustrates a top plan view thereof.

(21) Appl. No.: **29/322,601**

FIG. 4 illustrates a bottom plan view of thereof.

(22) Filed: **Aug. 7, 2008**

FIG. 5 illustrates a left side elevational view thereof.

(51) **LOC (9) Cl.** **21-91**

FIG. 6 illustrates a right side elevational view thereof.

(52) **U.S. Cl.** **D21/324; D21/329**

FIG. 7 illustrates a frontal perspective view of a second embodiment of FIG. 1 shown in an angled position, with the smart card shown in a depressed position.

(58) **Field of Classification Search** D21/324-333;
D14/496, 203.1-203.7; 273/148 B; 463/1,
463/29-35, 46, 47; 345/156-161
See application file for complete search history.

FIG. 8 illustrates a rear perspective view of FIG. 1 shown in an angled position, with the stand shown in an alternate position.

(56) **References Cited**

FIG. 9 illustrates a rear perspective view of FIG. 1 shown in an angled position, similar to FIG. 8, with the stand shown in an extended telescopic position.

U.S. PATENT DOCUMENTS

| | | | | | |
|-----------|-----|---------|--------------|-------|------------|
| 4,391,444 | A * | 7/1983 | Bromley | | 463/4 |
| 4,959,647 | A * | 9/1990 | Daigle | | 340/825.72 |
| 5,095,798 | A * | 3/1992 | Okada et al. | | 463/35 |
| 5,161,803 | A * | 11/1992 | Ohara | | 463/44 |
| 5,476,261 | A * | 12/1995 | Hultstrand | | 273/148 B |
| D428,938 | S * | 8/2000 | Tomizawa | | D21/329 |
| D449,347 | S * | 10/2001 | Christianson | | D21/329 |
| D452,280 | S * | 12/2001 | Ota et al. | | D21/329 |
| D453,536 | S * | 2/2002 | Ota et al. | | D21/329 |
| D460,121 | S * | 7/2002 | Furusato | | D21/329 |
| D539,354 | S * | 3/2007 | Mak | | D21/329 |

FIG. 10 illustrates a left side elevational view of FIG. 8.

FIG. 11 illustrates a left side elevational view of FIG. 9.

FIG. 12 illustrates a frontal elevational view of FIG. 1, shown in an alternate position of 90 degree clockwise rotation.

* cited by examiner

Primary Examiner—Prabhakar Deshmukh
(74) *Attorney, Agent, or Firm*—Stattler-Suh PC

FIG. 13 illustrates a rear elevational view of FIG. 2, shown in an alternate position of 90 degree clockwise rotation.

FIG. 14 illustrates a frontal perspective view of FIG. 12, shown in an angled position, with the smart card shown in a depressed position.

(57) **CLAIM**

The ornamental design for a portable electronic gaming device, as shown and described.

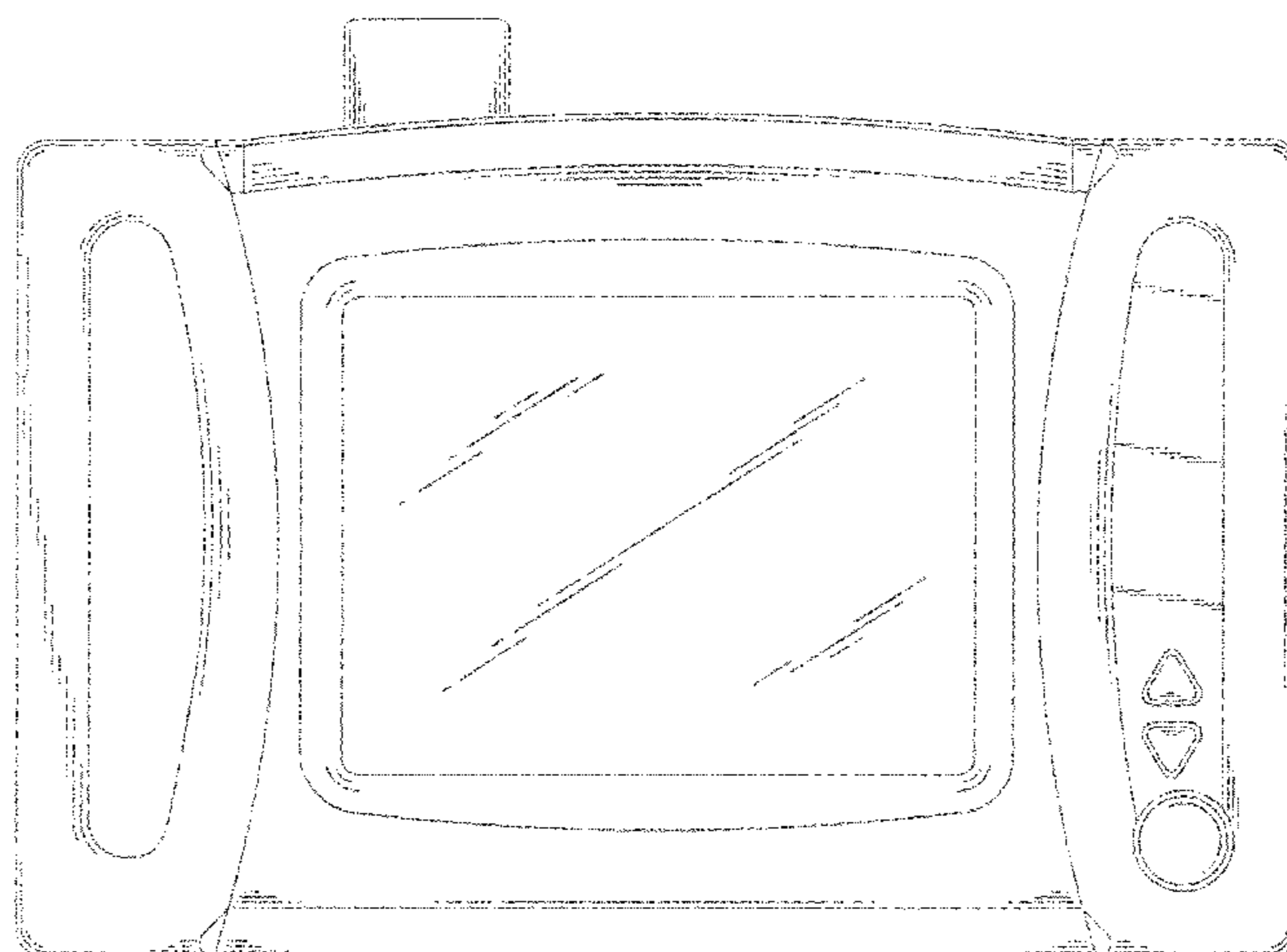
FIG. 15 illustrates a rear perspective view of FIG. 13, shown in an angled position, with the stand shown in an alternate position.

FIG. 16 illustrates a rear perspective view of FIG. 13 shown in an angled position, similar to FIG. 15, with the stand shown in an extended telescopic position.

FIG. 17 illustrates a left side elevational view of FIG. 15; and,

FIG. 18 illustrates a left side elevational view, similar to FIG. 16.

1 Claim, 12 Drawing Sheets



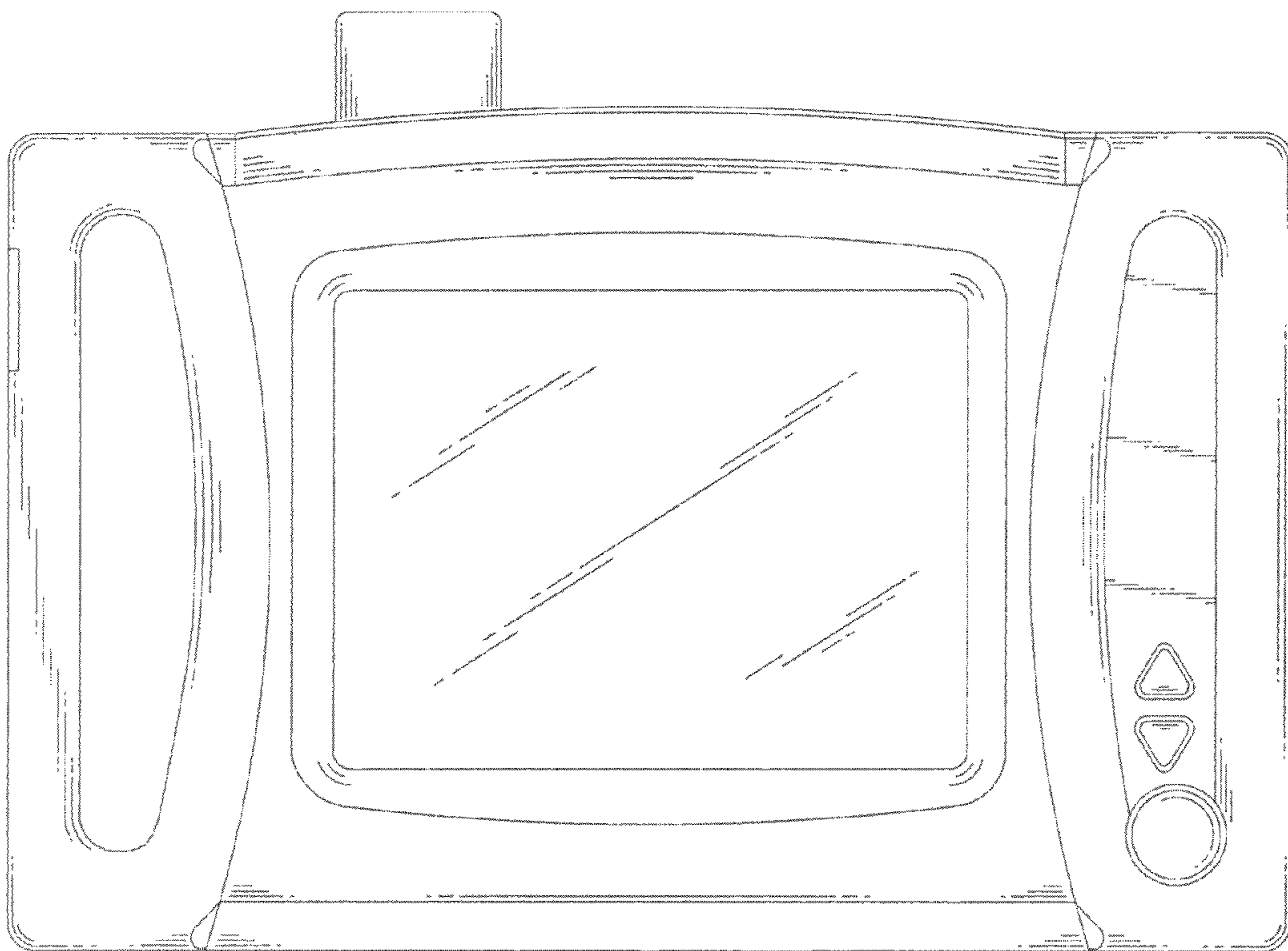


Figure 1

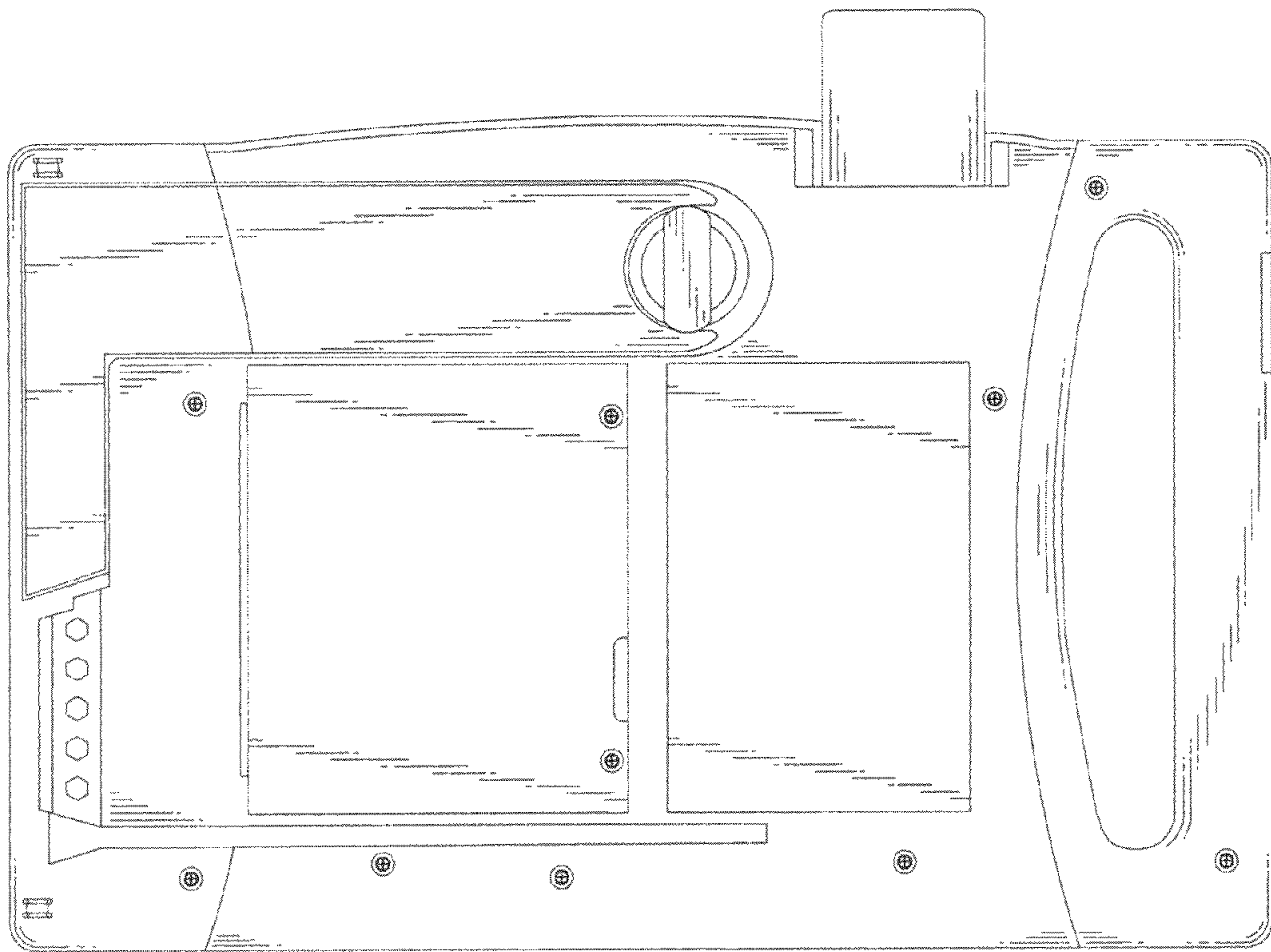


Figure 2

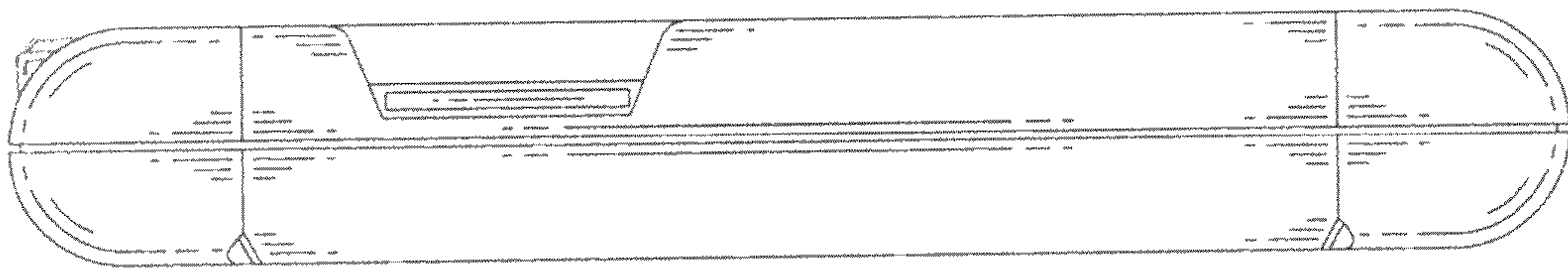


Figure 3

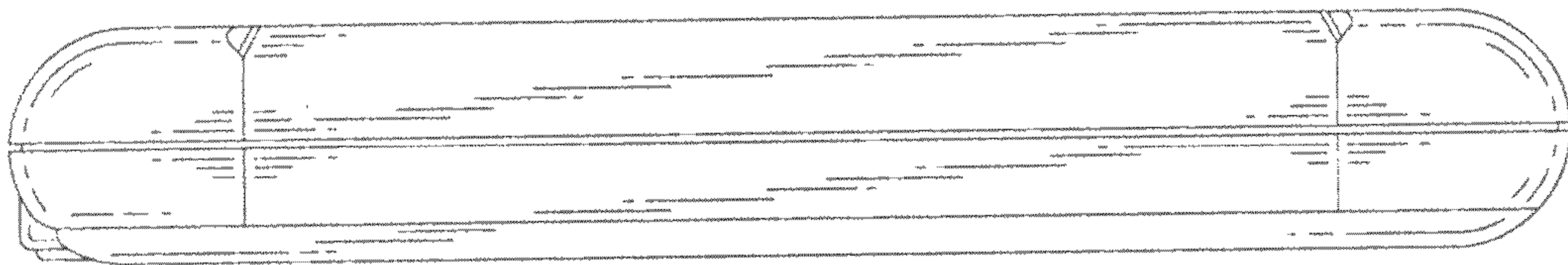


Figure 4

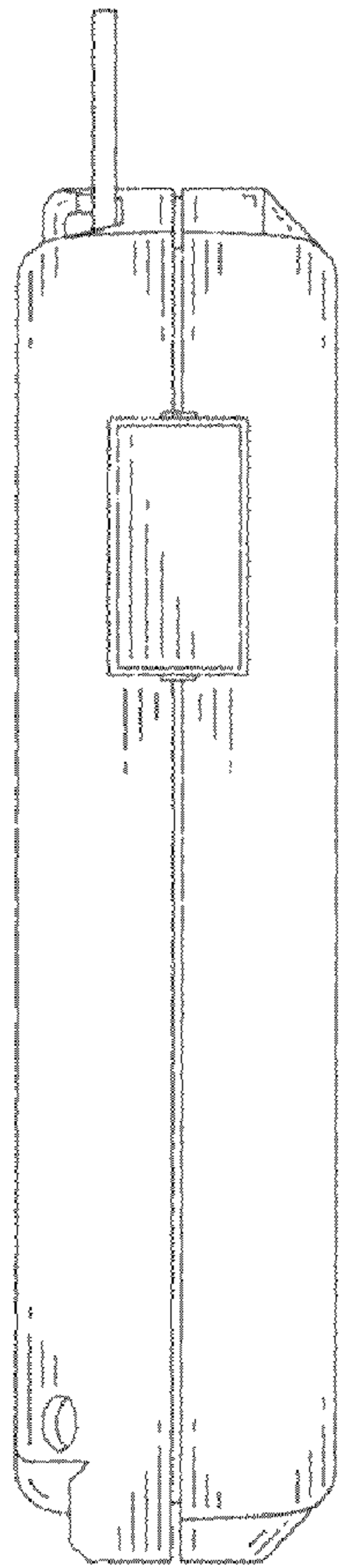


Figure 5

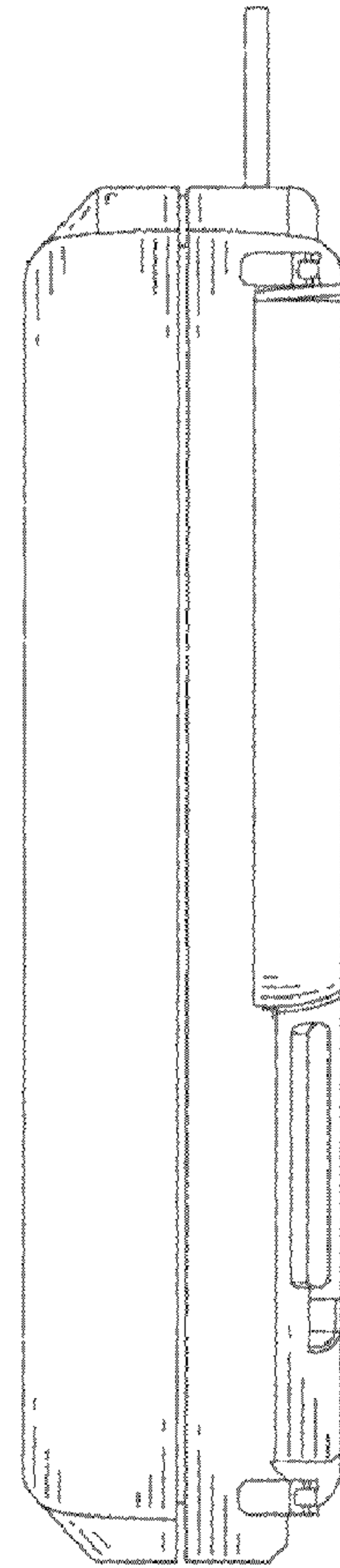


Figure 6

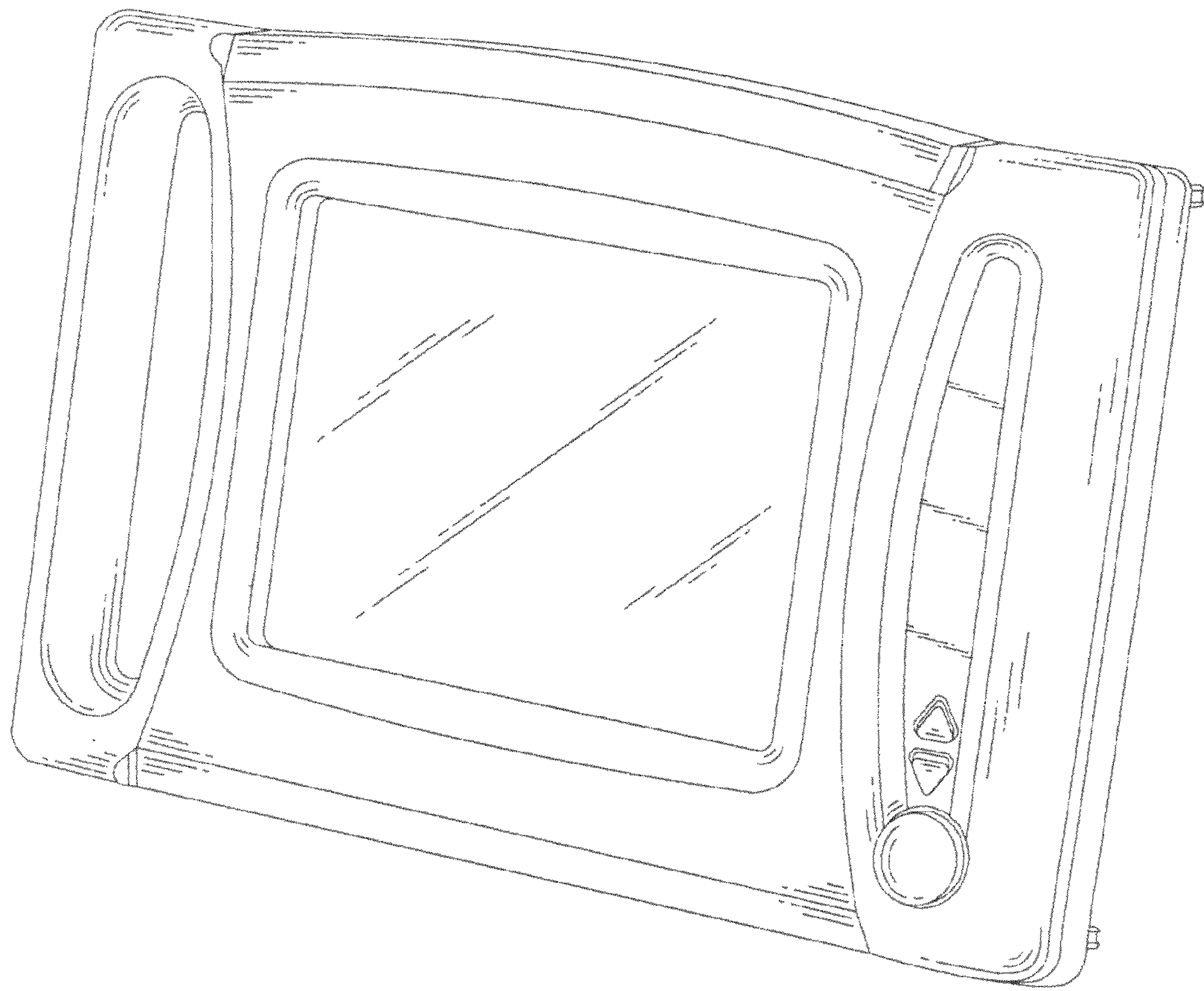


Figure 7

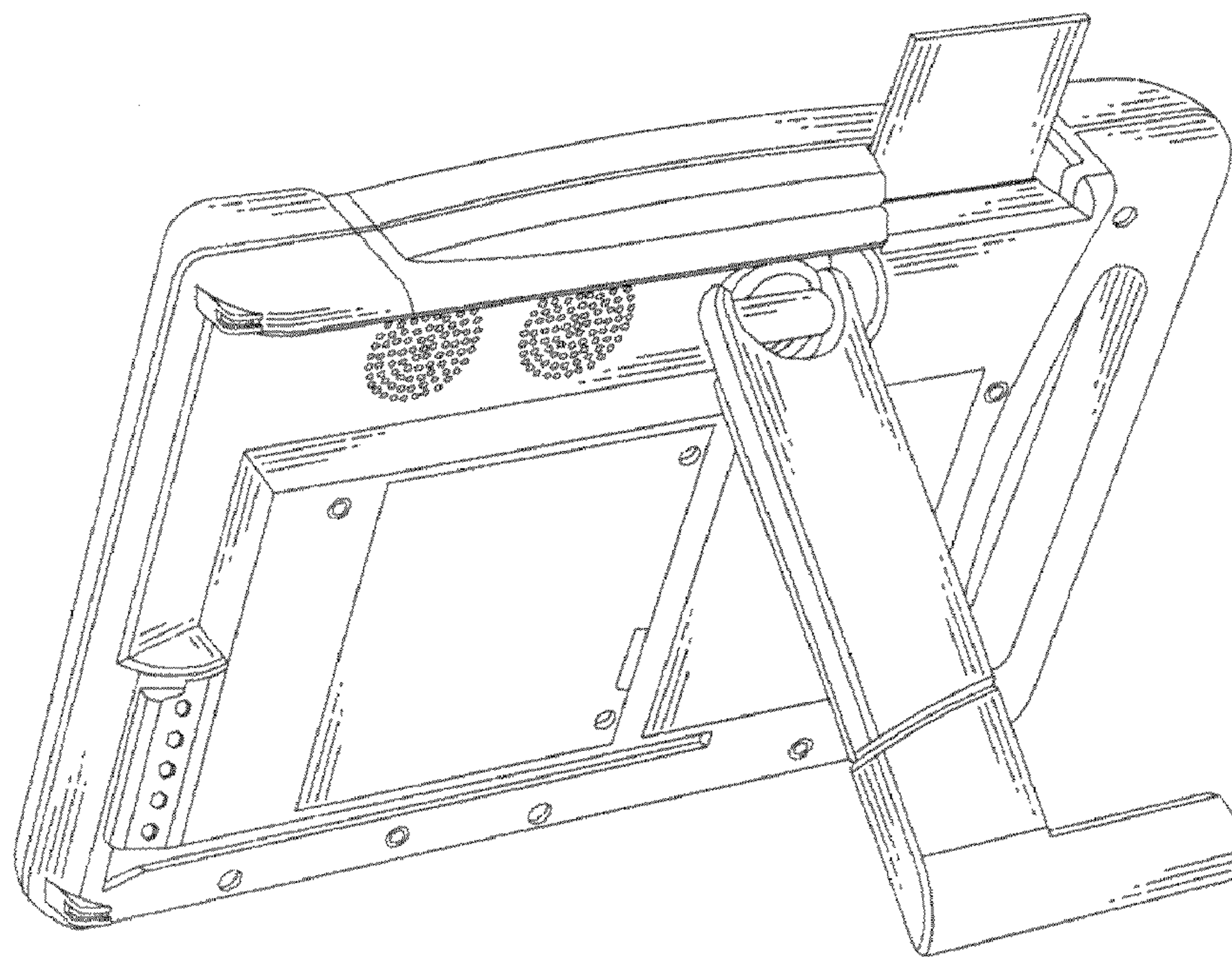


Figure 8

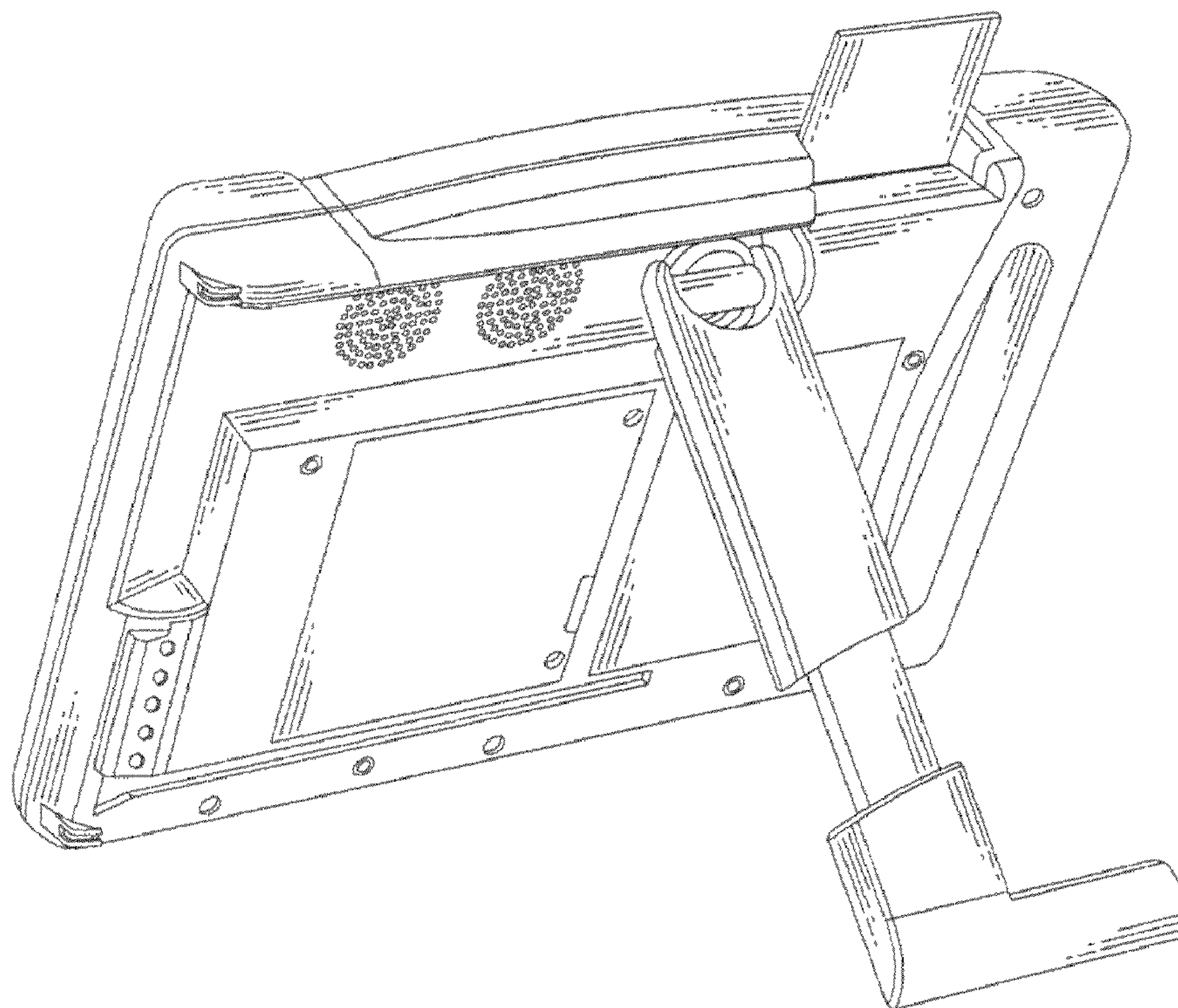


Figure 9

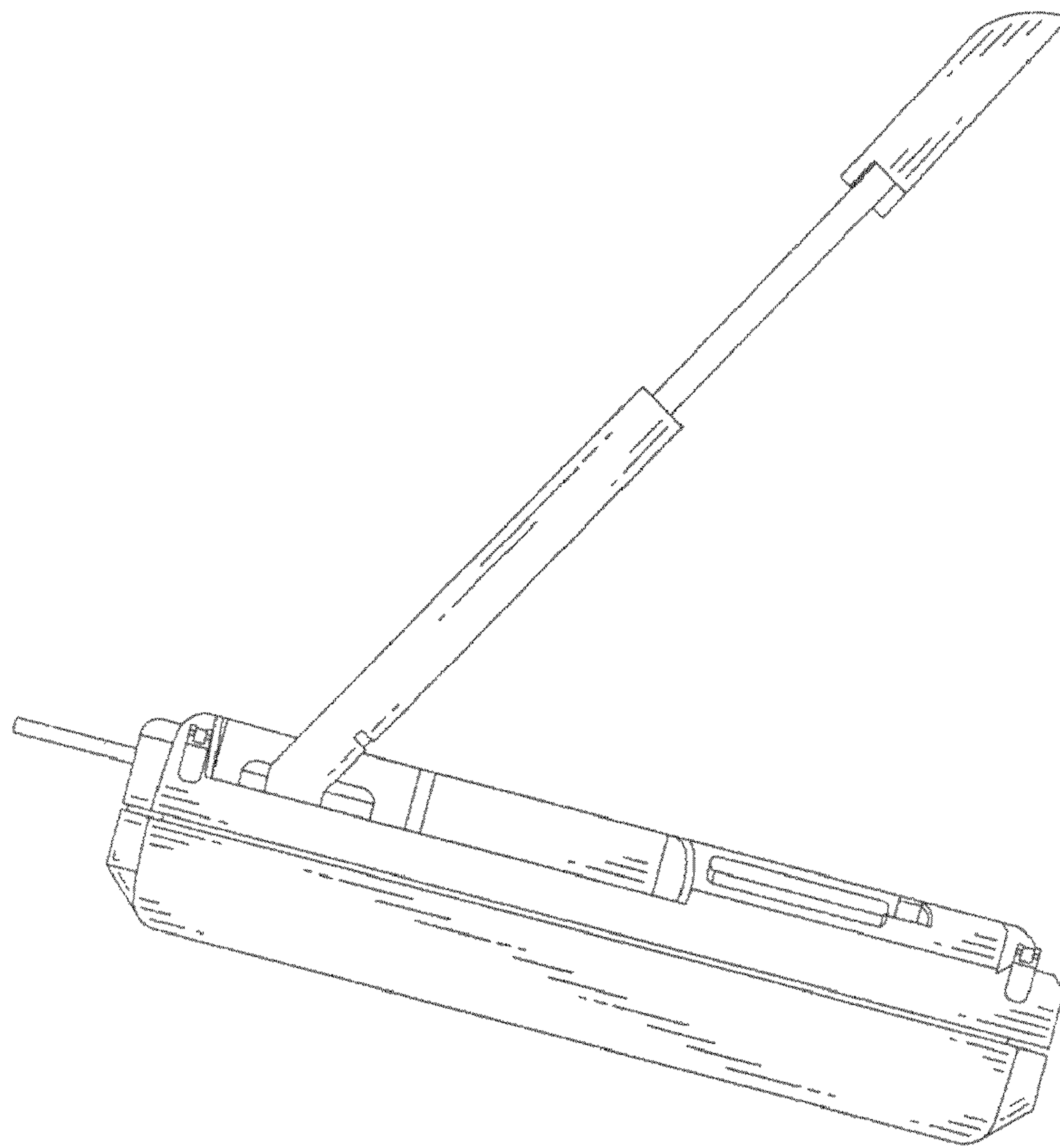


Figure 11

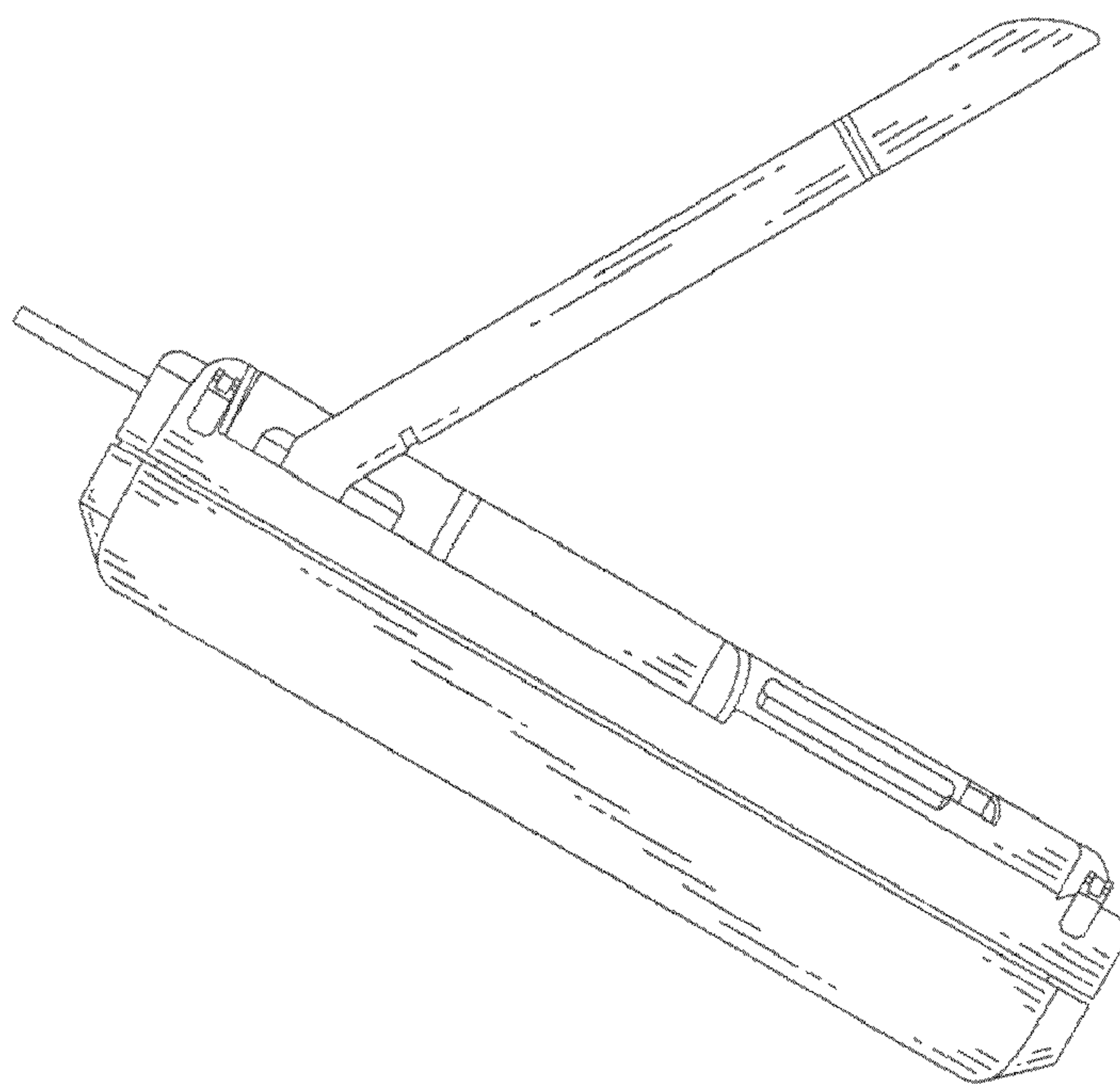


Figure 10

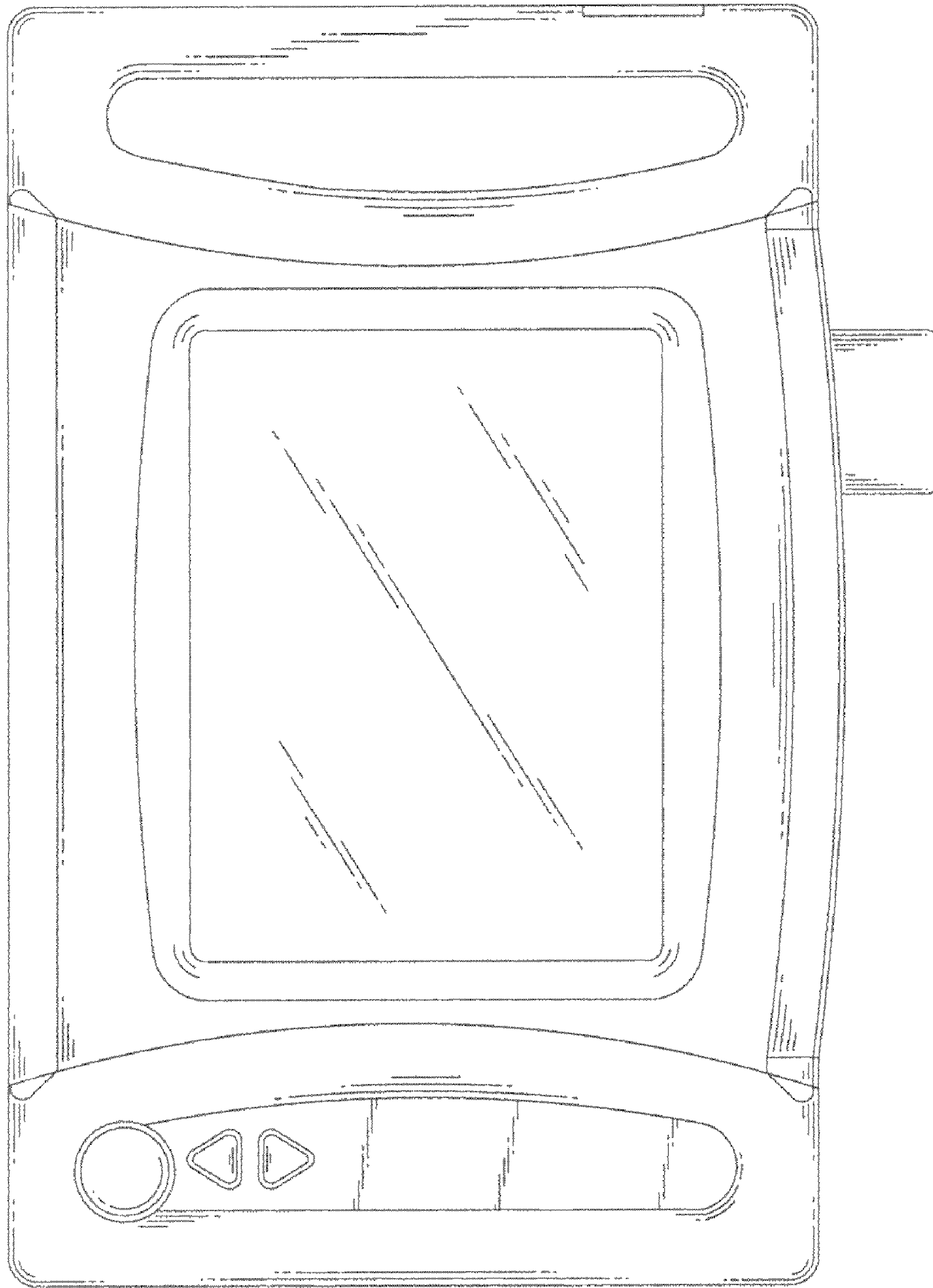


Figure 12

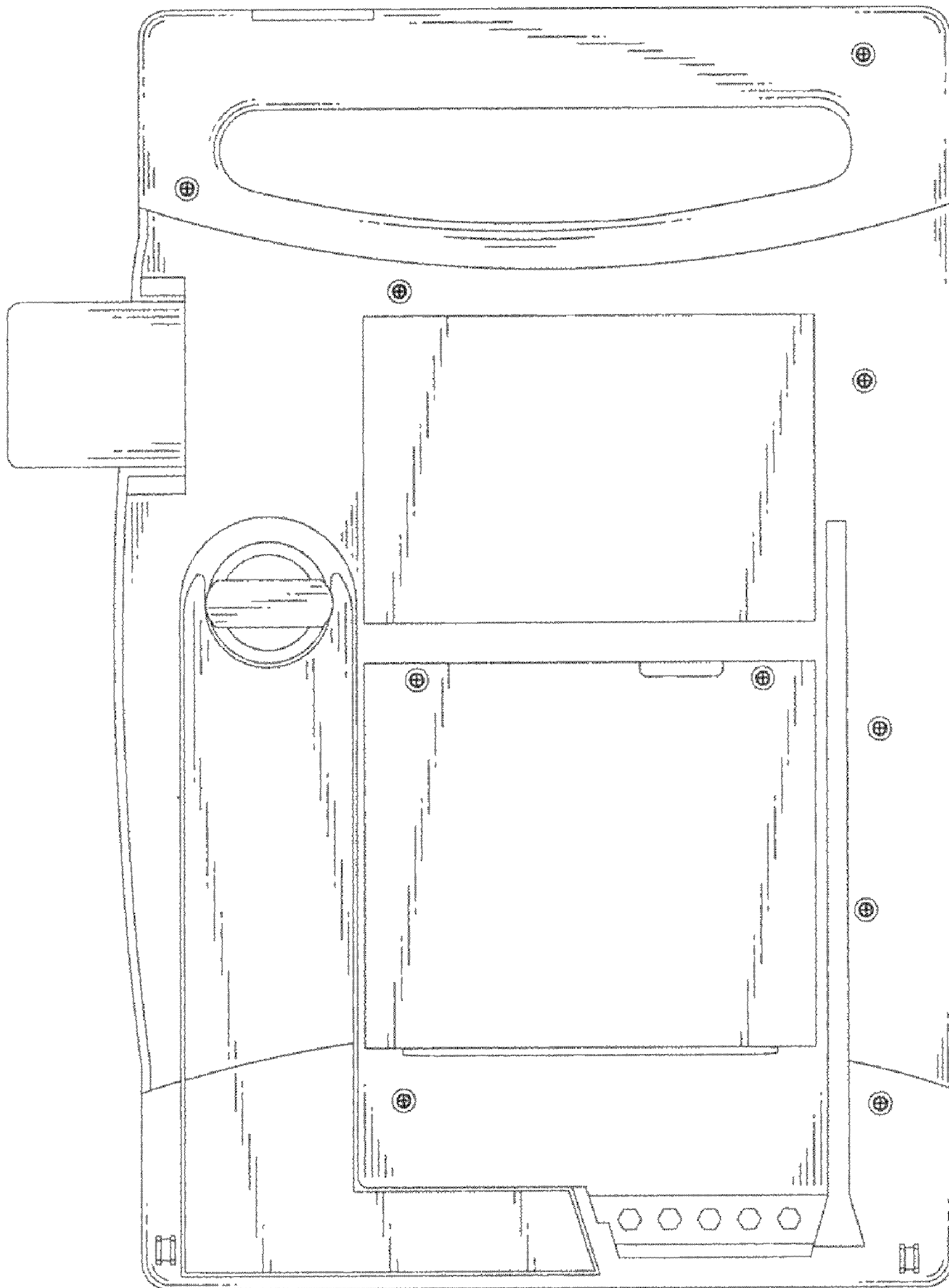


Figure 13

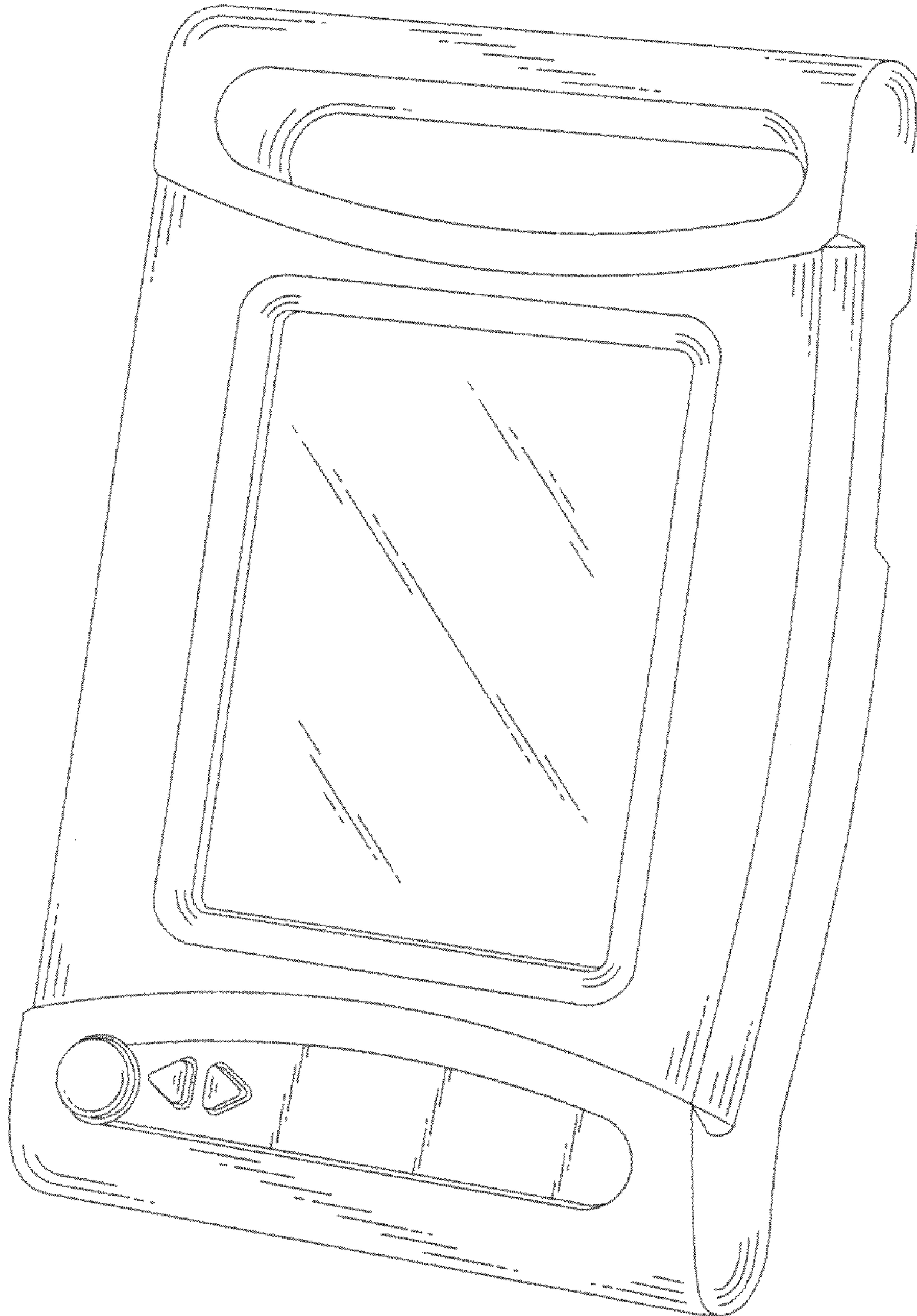


Figure 14

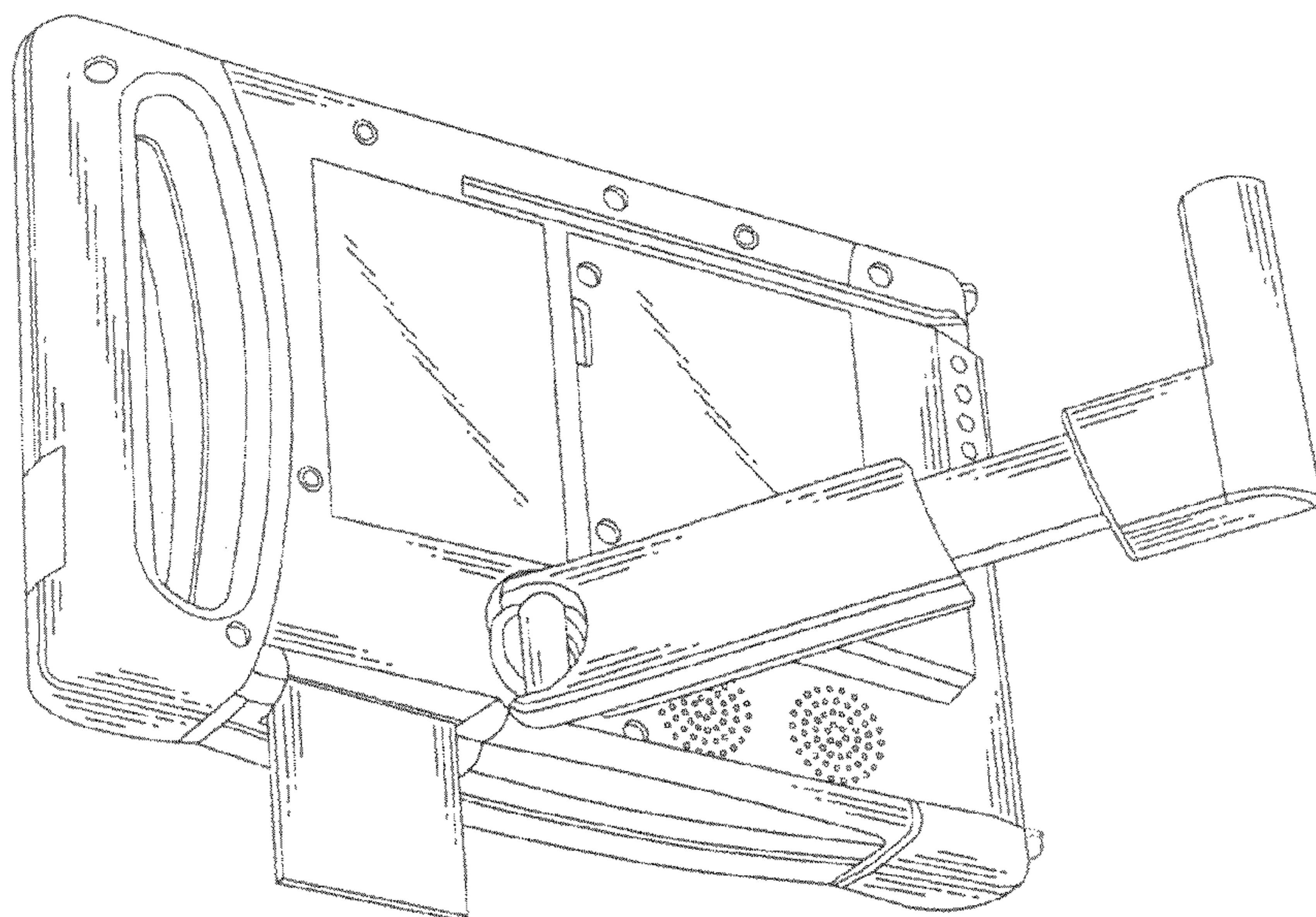


Figure 16

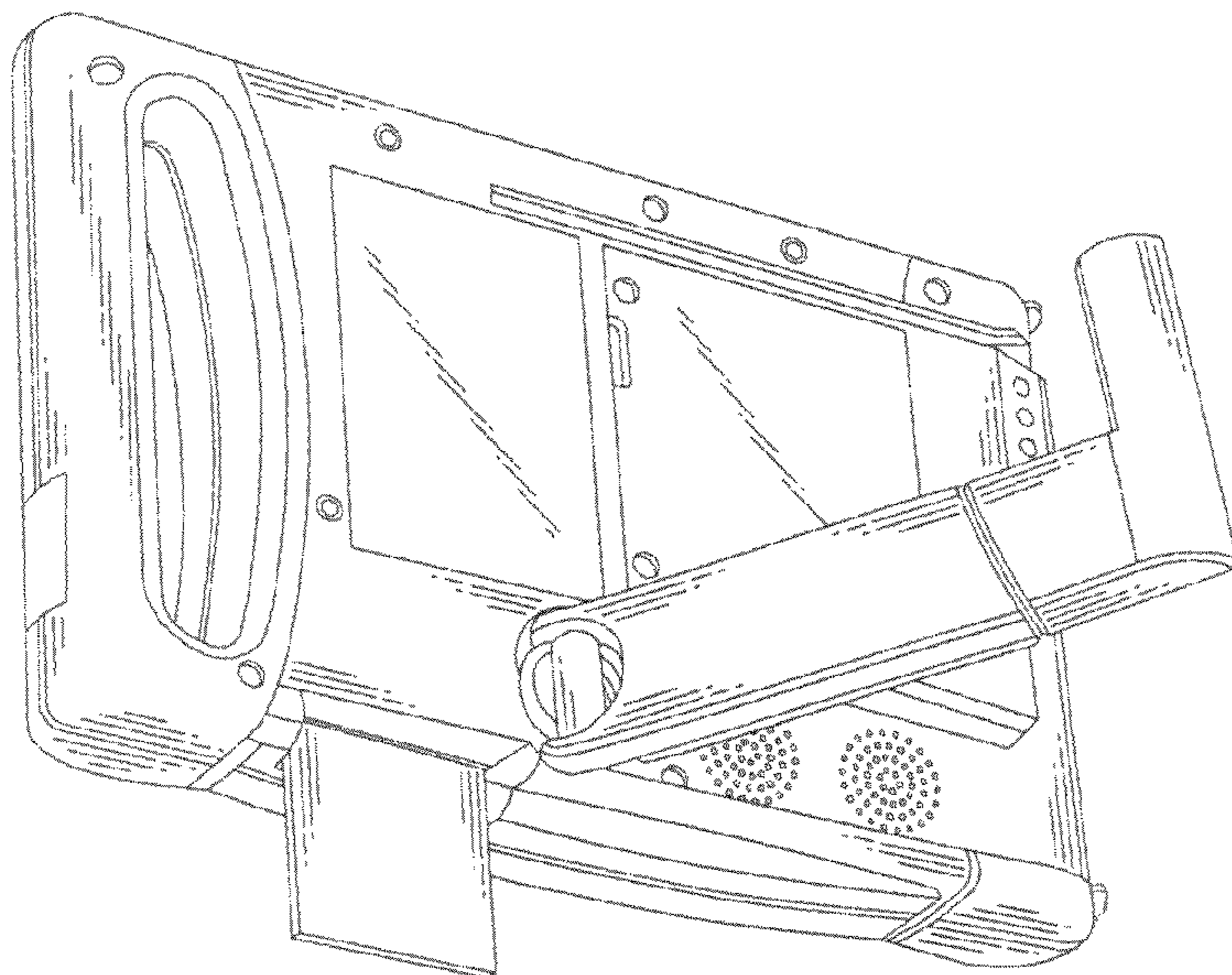


Figure 15

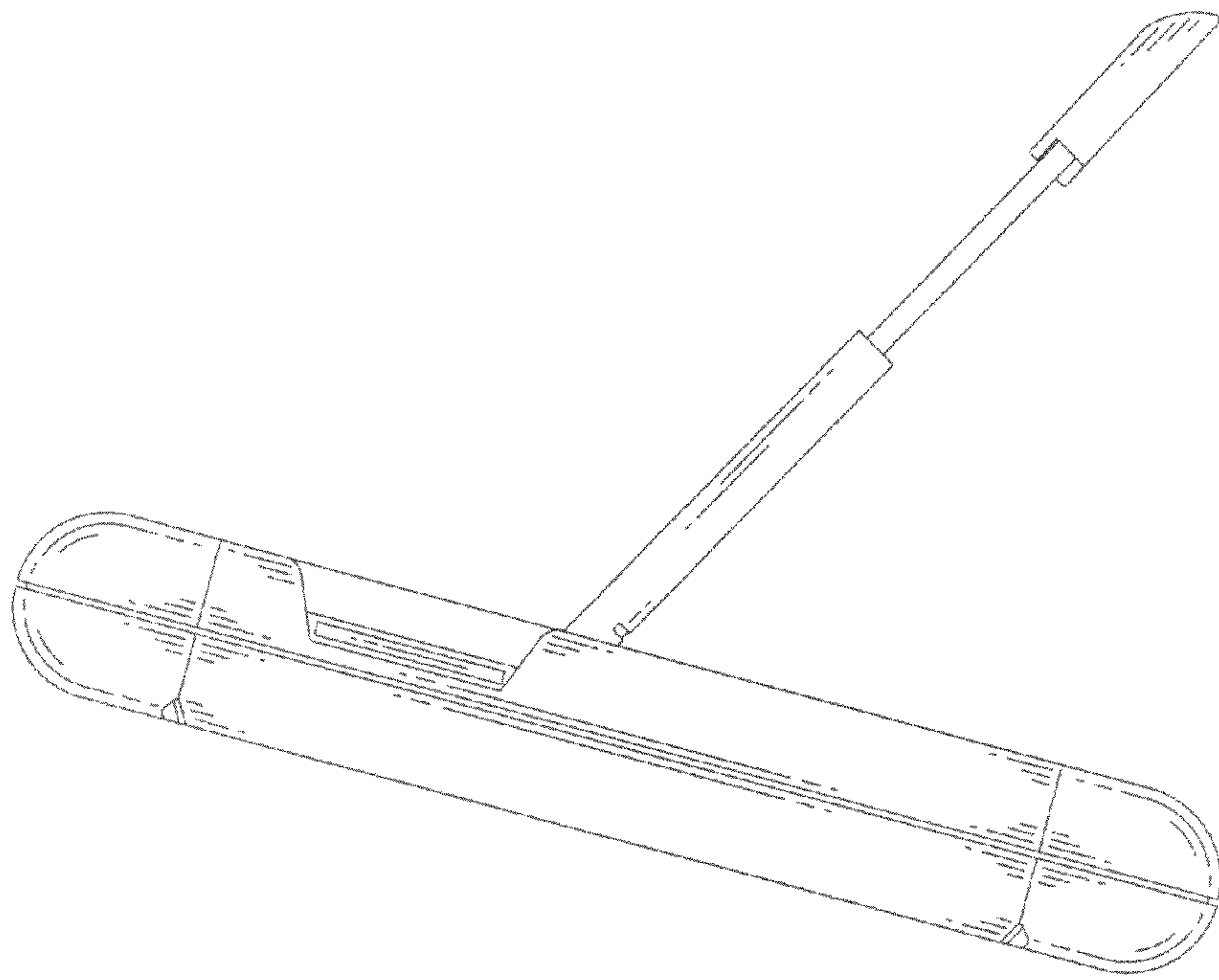


Figure 18

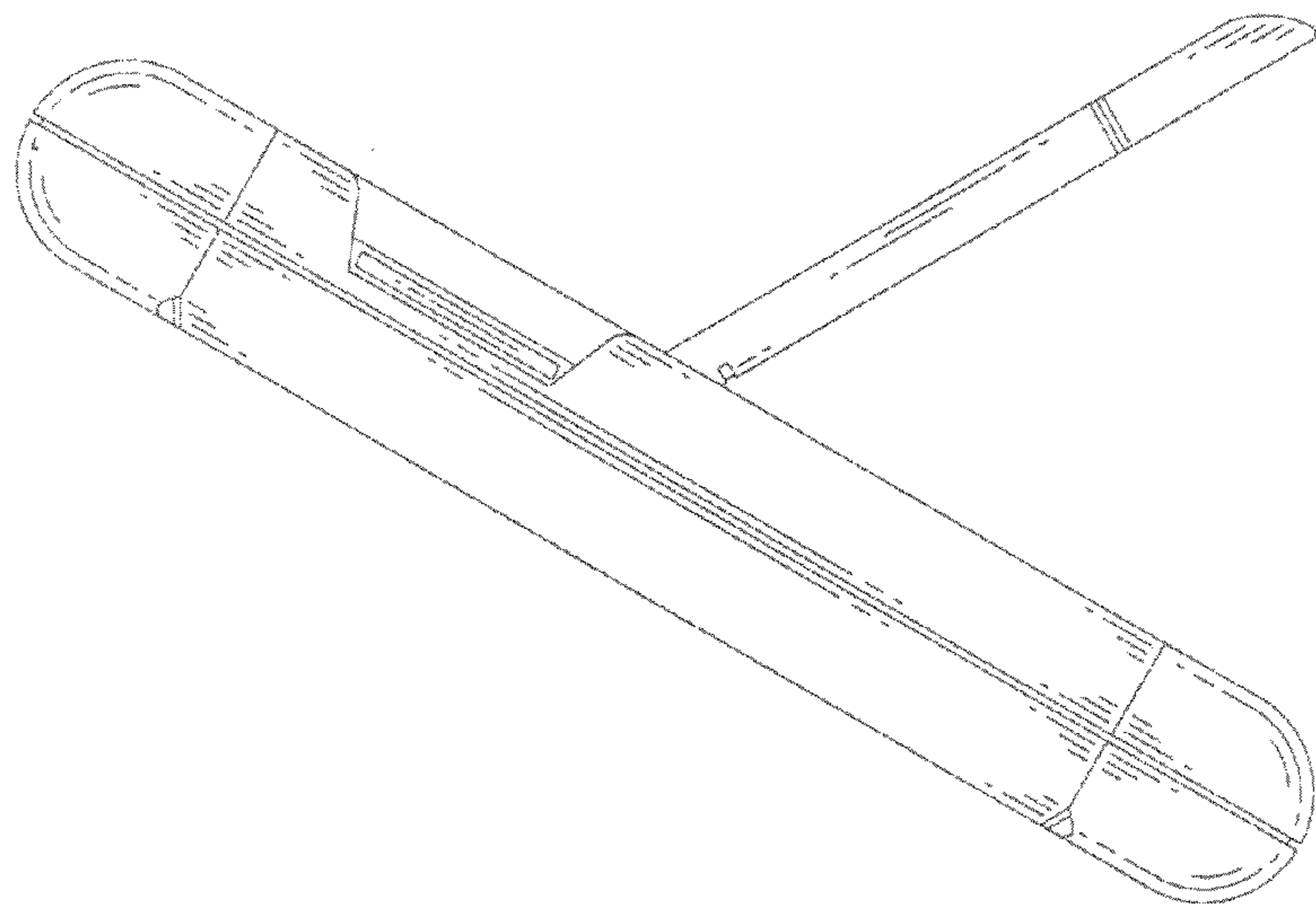


Figure 17