



US00D633942S

(12) **United States Design Patent**
Weinstein et al.

(10) **Patent No.:** **US D633,942 S**
(45) **Date of Patent:** **** Mar. 8, 2011**

(54) **DISPLAY BASE WITH FLIP BOOK**

(75) Inventors: **Marc Chase Weinstein**, Roslyn Harbor, NY (US); **Yuji Fujimura**, Tokyo (JP)

(73) Assignee: **Marc Chase Weinstein**, Roslyn Harbor, NY (US)

(**) Term: **14 Years**

(21) Appl. No.: **29/353,306**

(22) Filed: **Jan. 6, 2010**

(51) **LOC (9) Cl.** **19-04**

(52) **U.S. Cl.** **D19/32**

(58) **Field of Classification Search** D19/26-27,
D19/32, 62, 64, 75-76, 86, 91; D3/247;
D6/406.3, 419; 402/3, 4, 19, 73; 281/29,
281/38, 42, 45; 248/460

See application file for complete search history.

(56) **References Cited**

U.S. PATENT DOCUMENTS

- D384,699 S * 10/1997 Greene D19/91
- D512,245 S * 12/2005 Bean et al. D6/406.3
- 7,172,167 B2 * 2/2007 Phifer et al. 248/460
- D588,830 S * 3/2009 Chochinov et al. D6/406.3
- D615,594 S * 5/2010 Bellin et al. D19/91

D619,823 S * 7/2010 Jennings D6/406.3

* cited by examiner

Primary Examiner—T. Chase Nelson
Assistant Examiner—Kathleen M Sims

(57) **CLAIM**

We claim the ornamental design for a display base with flip book, as shown.

DESCRIPTION

FIG. 1 is a perspective view of the display base with flip book in a first environment showing our new design;

FIG. 2 is a top plan view thereof;

FIG. 3 is a bottom plan view thereof;

FIG. 4 is a front elevation view thereof;

FIG. 5 is a rear elevation view thereof;

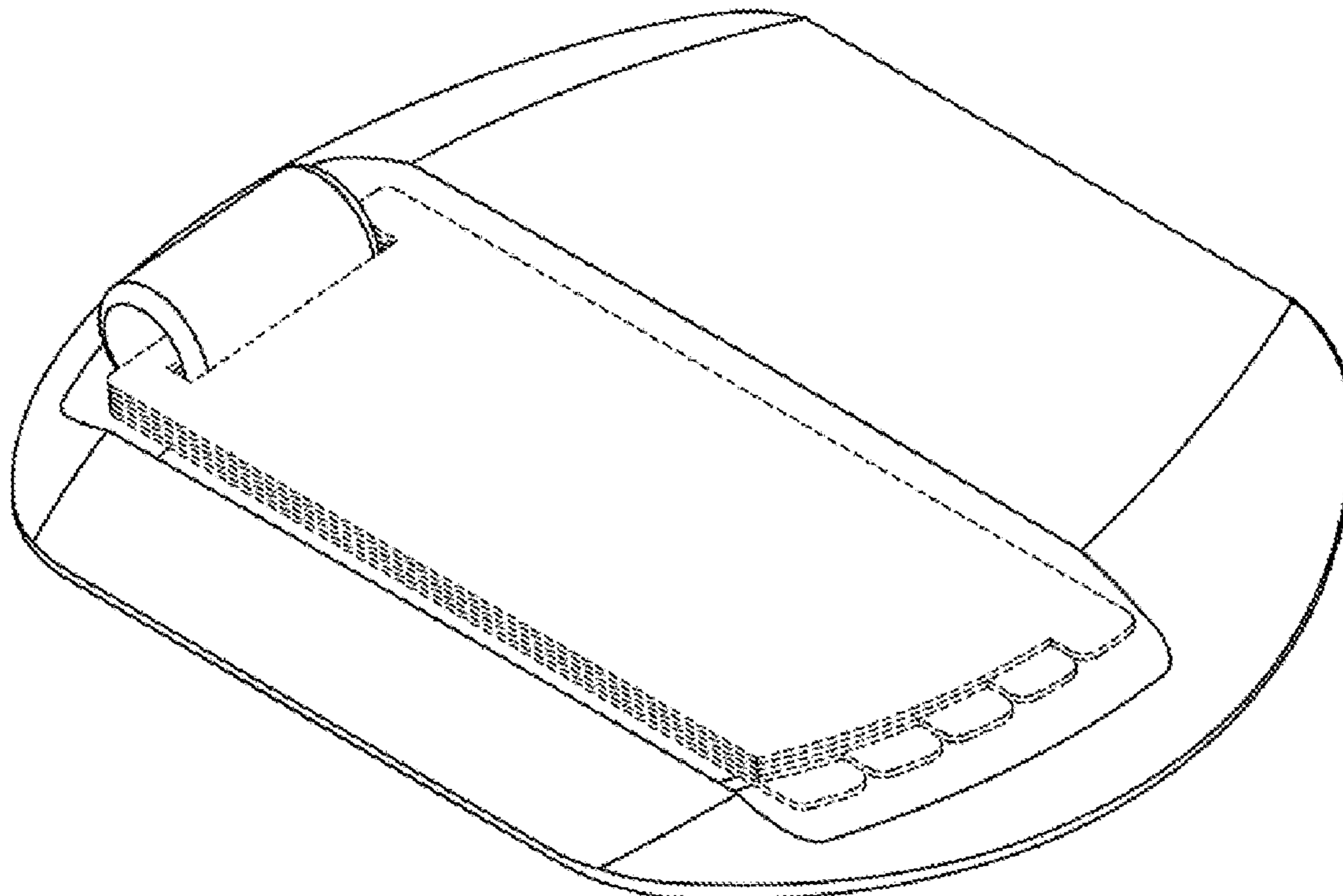
FIG. 6 is a right side view thereof;

FIG. 7 is a left side view thereof; and,

FIG. 8 is a perspective view of the display base with flip book in a second environment.

The broken line showing of details in FIGS. 1-8 is included for the purpose of showing environmental portions of the display base with flip book and forms no part of the claimed design.

1 Claim, 5 Drawing Sheets



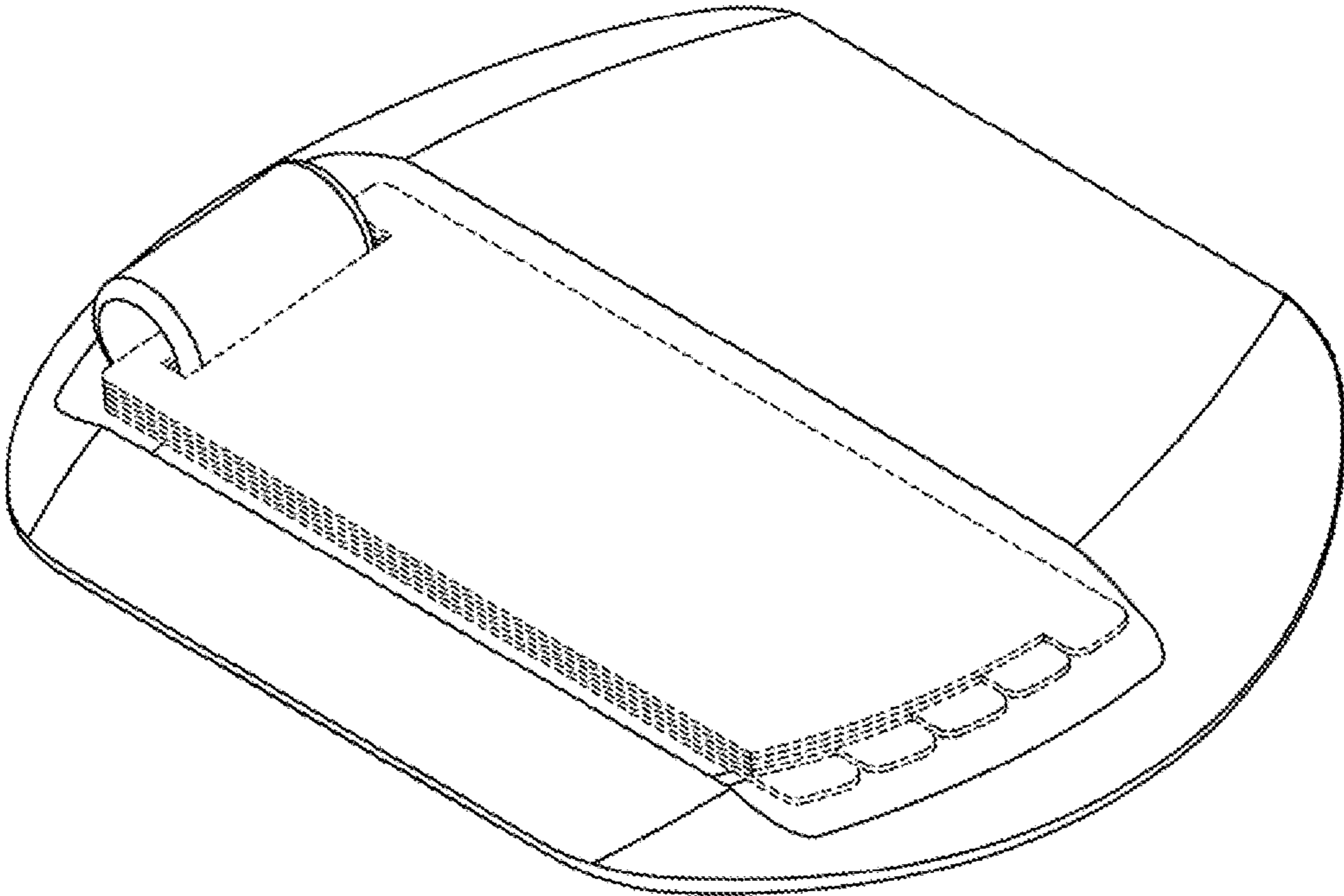


Fig. 1

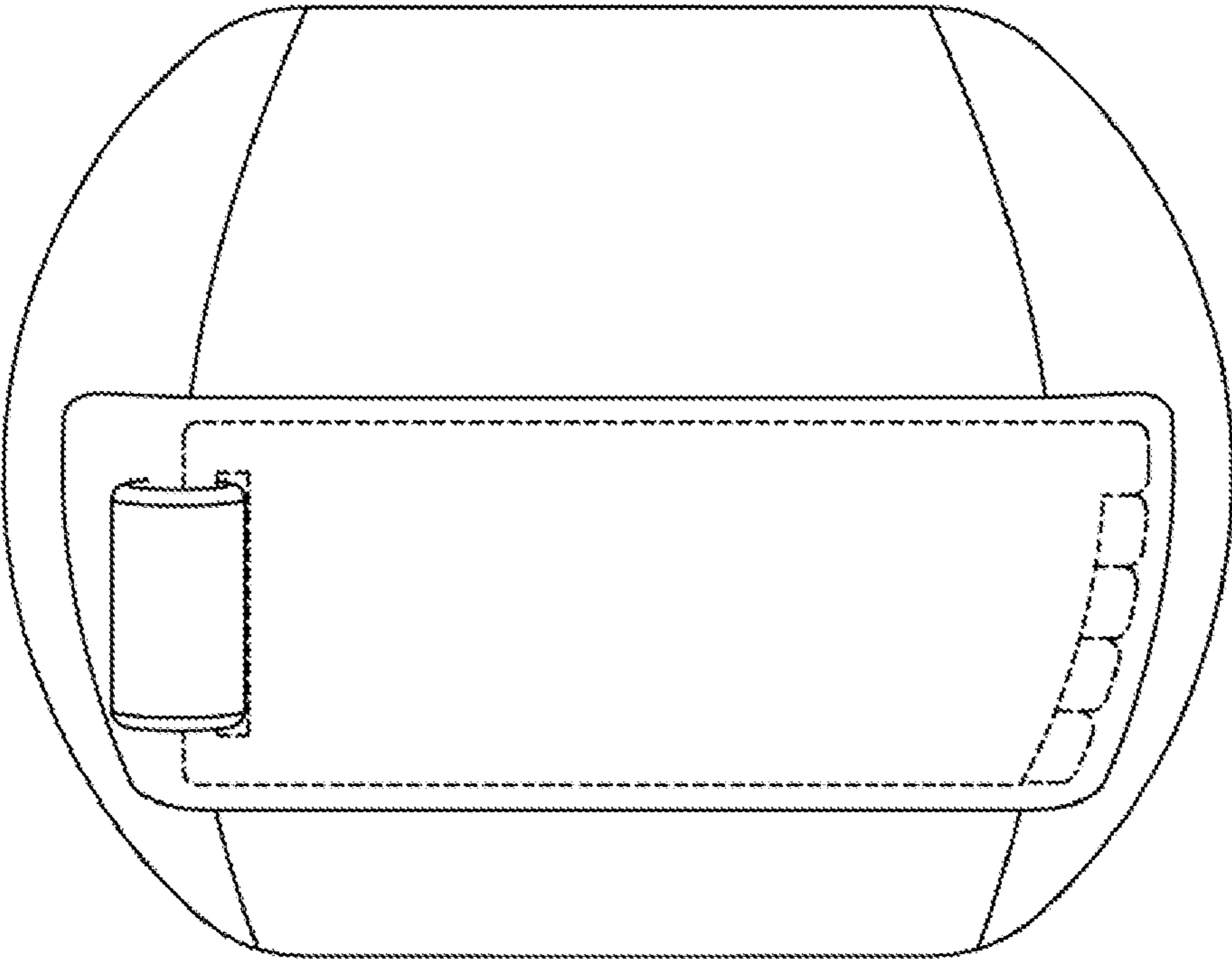


Fig. 2

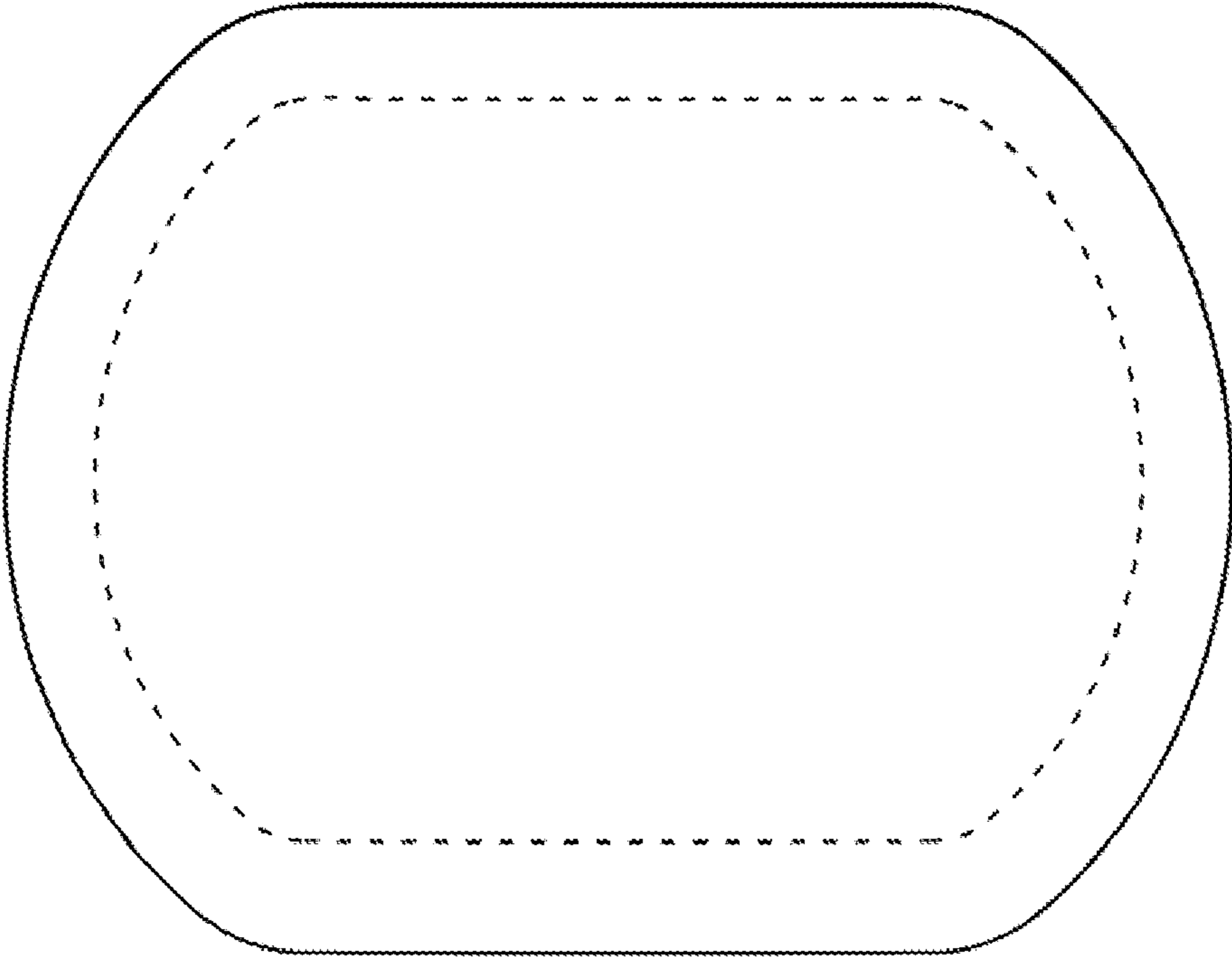


Fig. 3

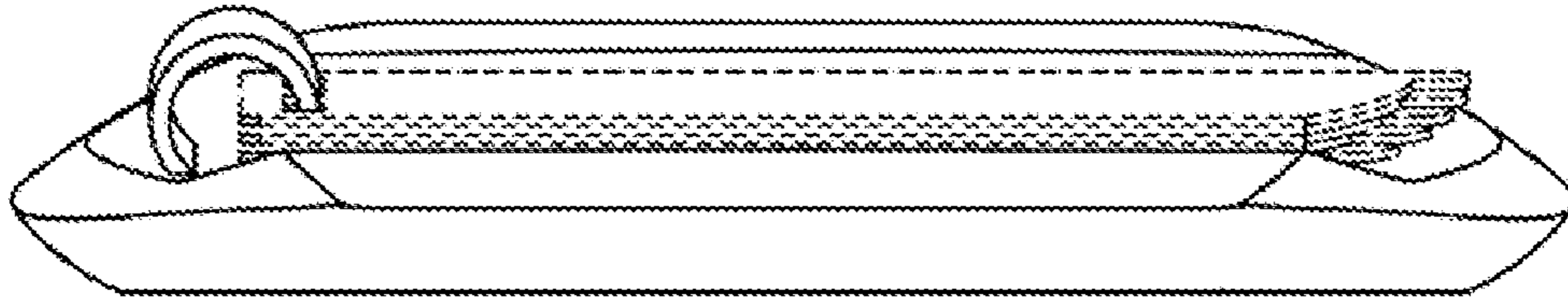


Fig. 4



Fig. 5

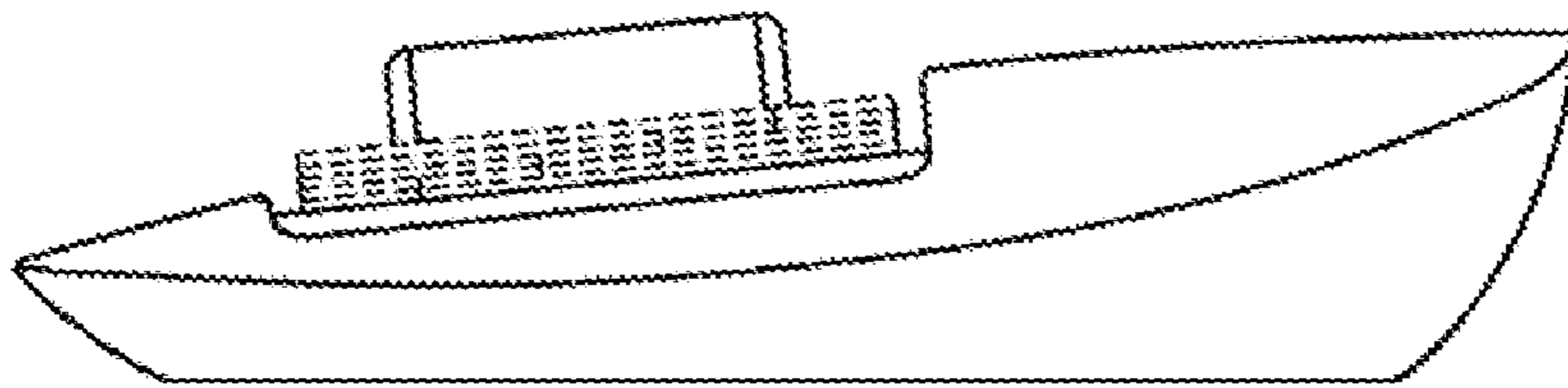


Fig. 6

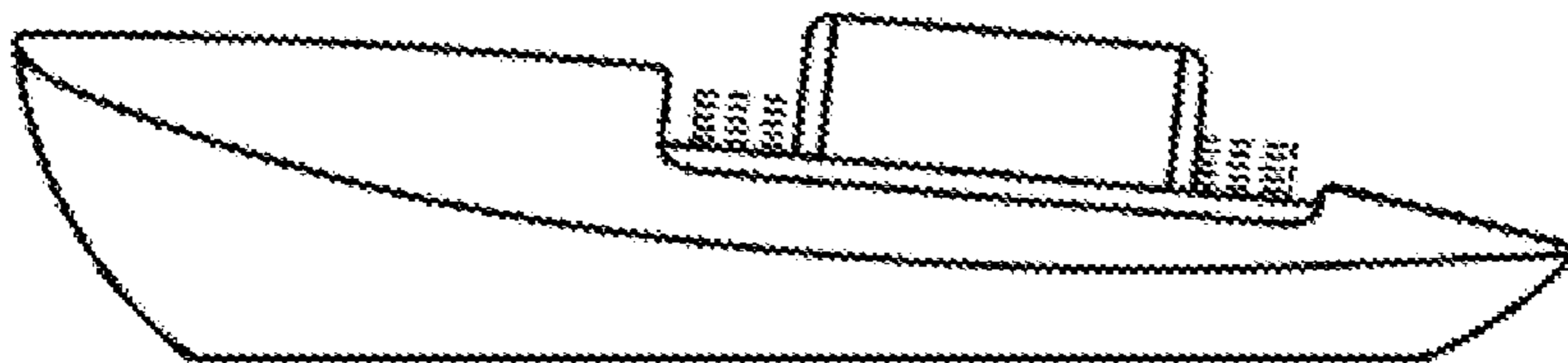


Fig. 7

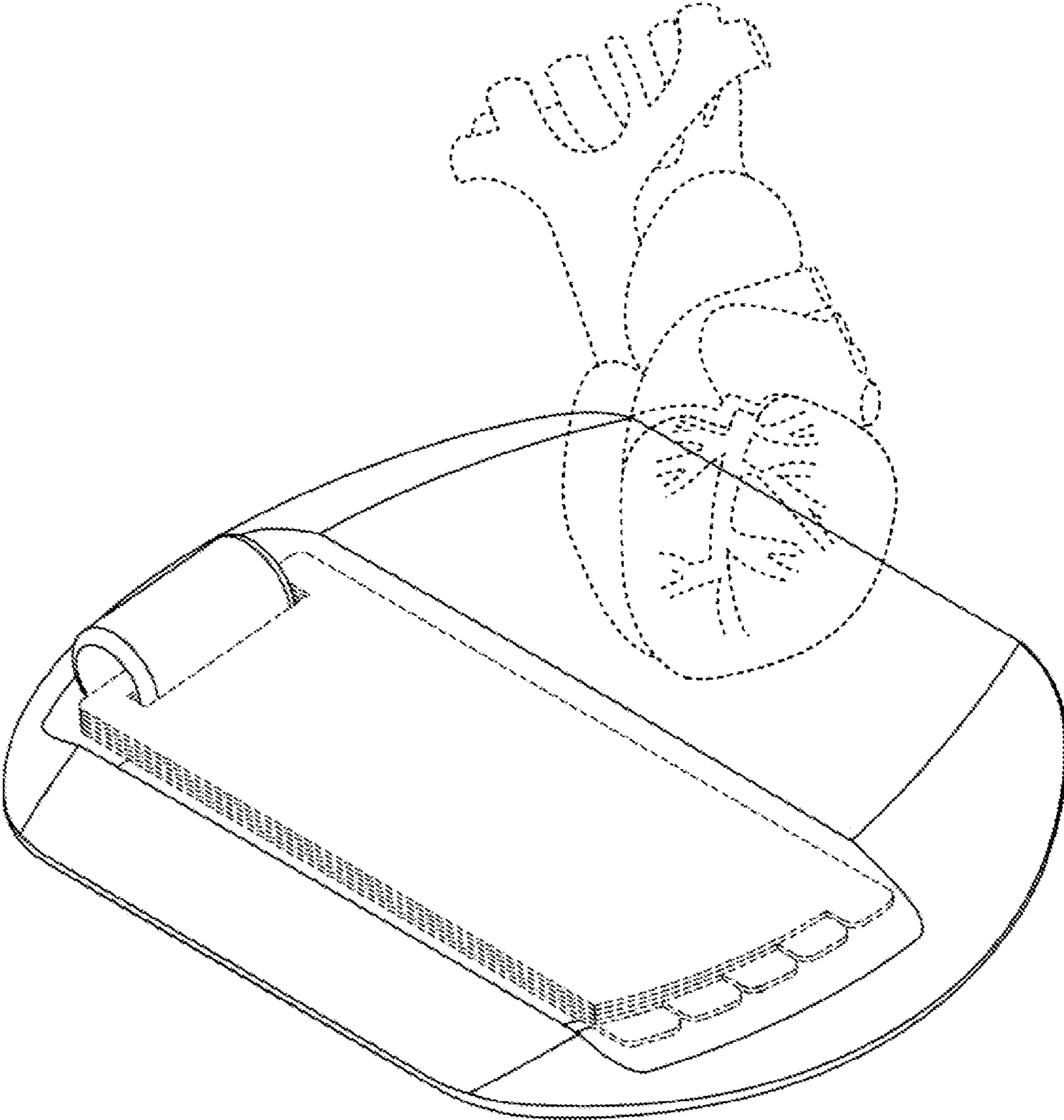


Fig. 8