



US00D633935S

(12) **United States Design Patent**
Kaplan et al.

(10) **Patent No.:** **US D633,935 S**
(45) **Date of Patent:** **** Mar. 8, 2011**

(54) **DIGITAL VIDEO CAMERA WITH A
RETRACTABLE CONNECTOR AND LENS**

(75) Inventors: **Jonathan Kaplan**, San Francisco, CA
(US); **Ariel Braunstein**, San Francisco,
CA (US); **John Furlan**, Belmont, CA
(US)

(73) Assignee: **Cisco Technology, Inc.**, San Jose, CA
(US)

(**) Term: **14 Years**

(21) Appl. No.: **29/365,214**

(22) Filed: **Jul. 6, 2010**

Related U.S. Application Data

(63) Continuation of application No. 29/353,486, filed on
Jan. 8, 2010, now Pat. No. Des. 621,433, which is a
continuation of application No. 29/327,559, filed on
Nov. 7, 2008, now Pat. No. Des. 607,914, which is a
continuation of application No. 11/497,039, filed on
Jul. 31, 2006.

(51) **LOC (9) Cl.** **16-05**

(52) **U.S. Cl.** **D16/219**

(58) **Field of Classification Search** D13/147;
D14/433, 480.1–480.7; D16/202, 203, 208,
D16/218, 219; 348/373–376; 439/131, 501,
439/502

See application file for complete search history.

(56) **References Cited**

U.S. PATENT DOCUMENTS

D482,694 S * 11/2003 Chen D14/433

7,557,851	B2 *	7/2009	Ohashi et al.	348/373
D608,813	S *	1/2010	Hong et al.	D16/218
D617,821	S *	6/2010	Kaplan et al.	D16/202
7,755,323	B2 *	7/2010	Wu	439/501
2004/0212966	A1 *	10/2004	Fisher et al.	361/726
2007/0066130	A1 *	3/2007	Mori et al.	439/501

* cited by examiner

Primary Examiner—Adir Aronovich

(74) *Attorney, Agent, or Firm*—Patterson & Sheridan, LLP

(57) **CLAIM**

The ornament design for a digital video camera with a retractable connector and lens, as shown and described.

DESCRIPTION

FIG. 1 is a front elevational view of a digital video camera with a retractable connector and lens, with the connector in an extended position.

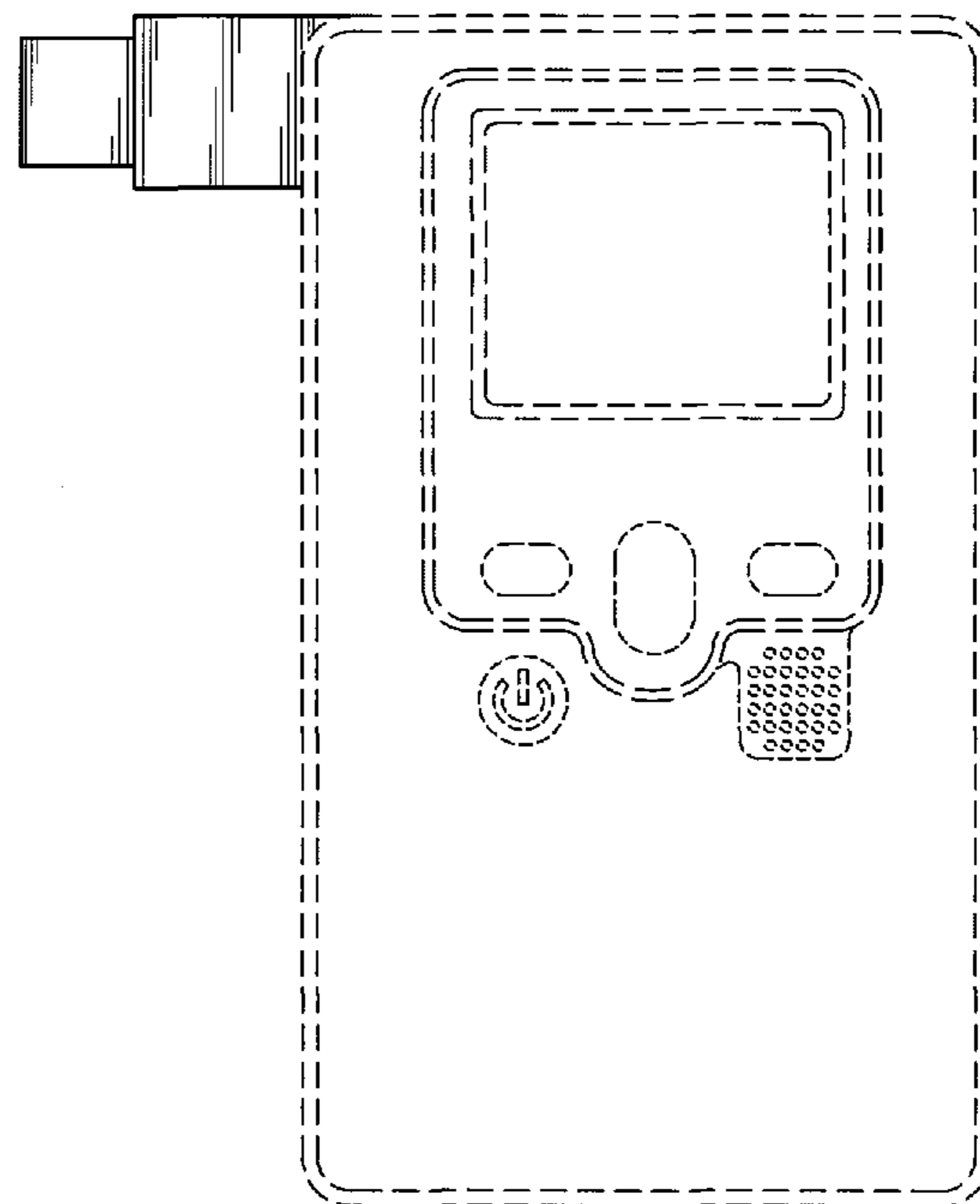
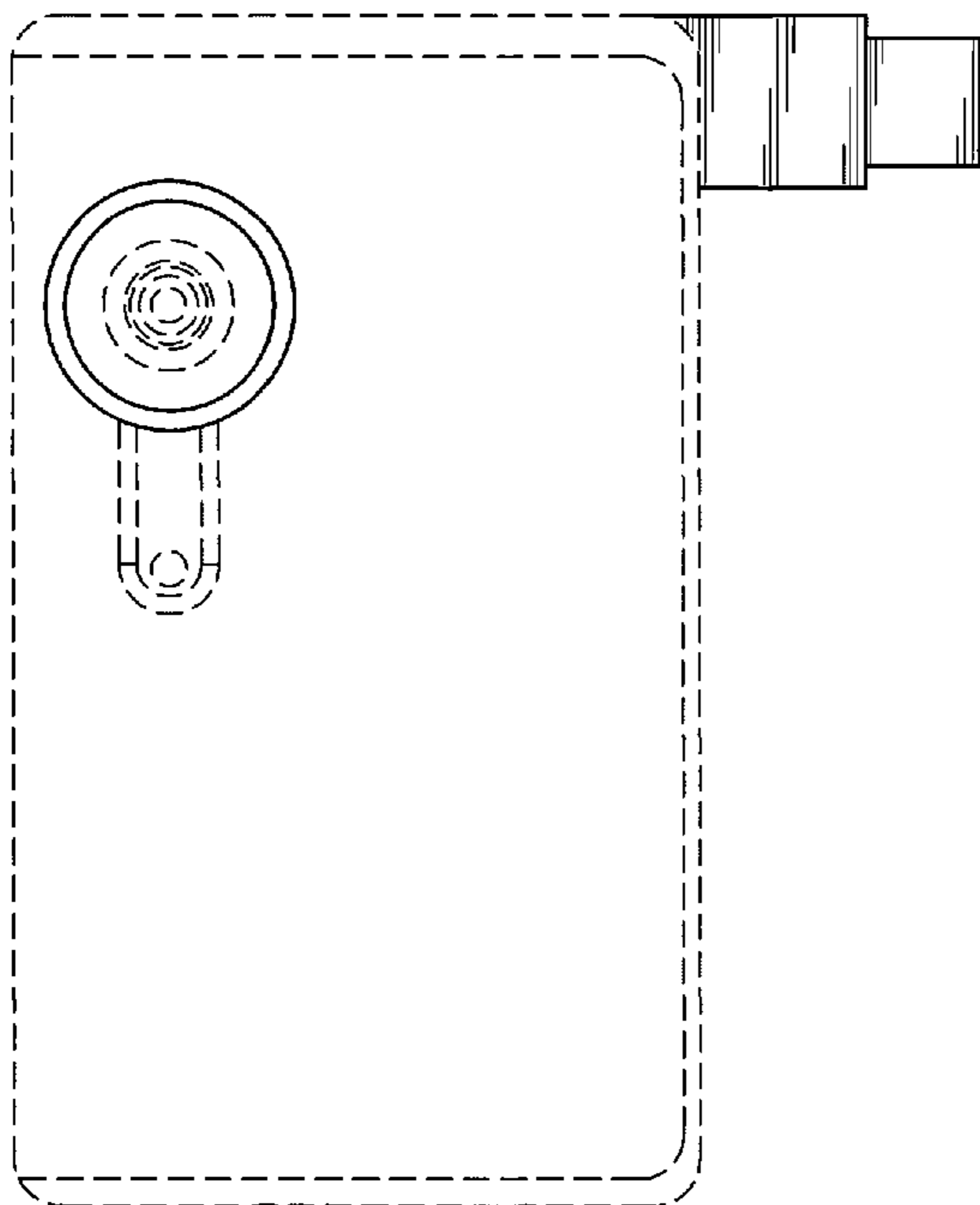
FIG. 2 is a rear elevational view thereof, with the connector in an extended position.

FIG. 3 is a right side elevational view thereof, with the connector in an extended position; and,

FIG. 4 is a bottom plan view thereof, with the connector in an extended position.

The broken lines shown in the drawings illustrate environmental structure and form no part of the claimed design.

1 Claim, 2 Drawing Sheets



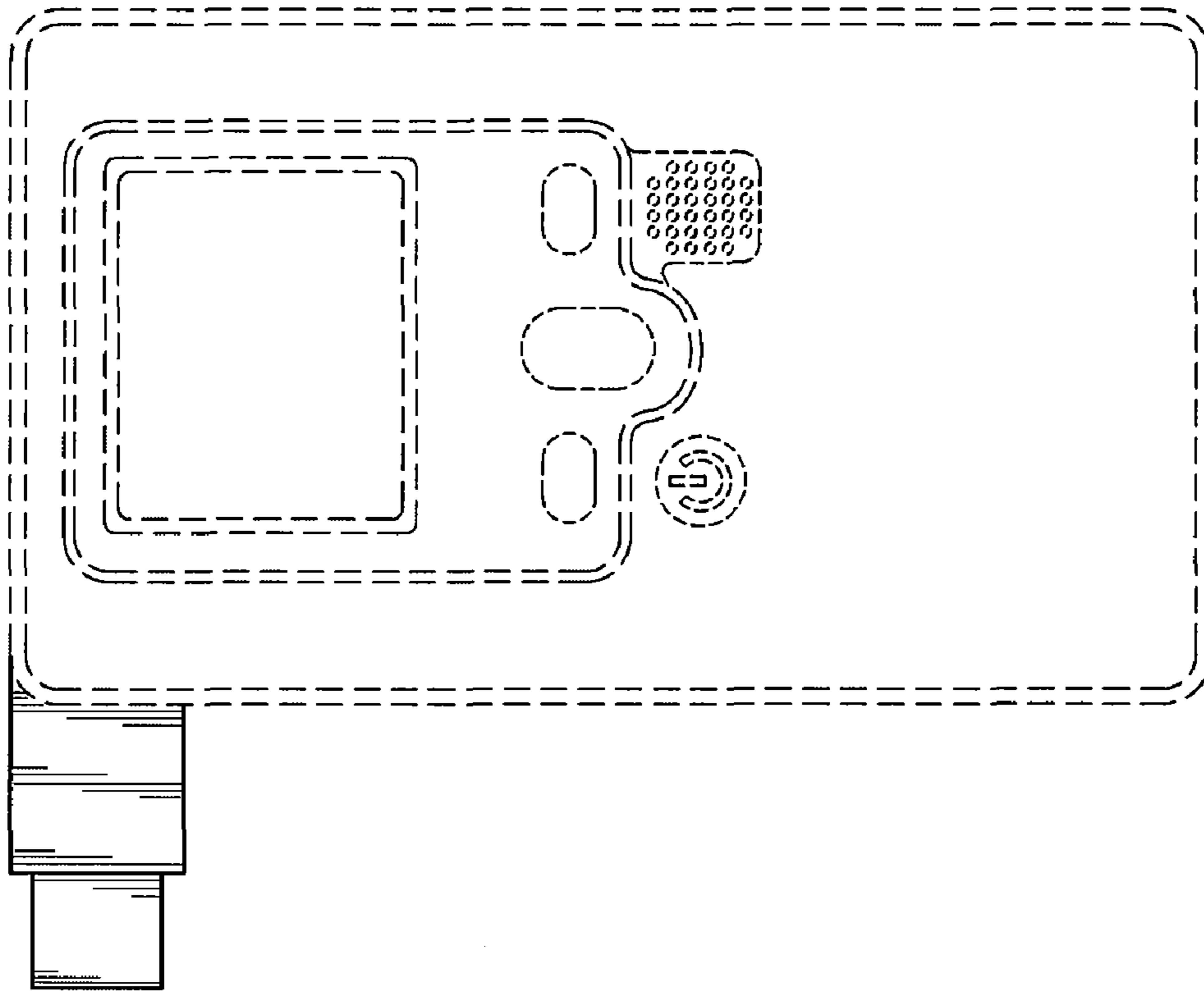


FIG. 1

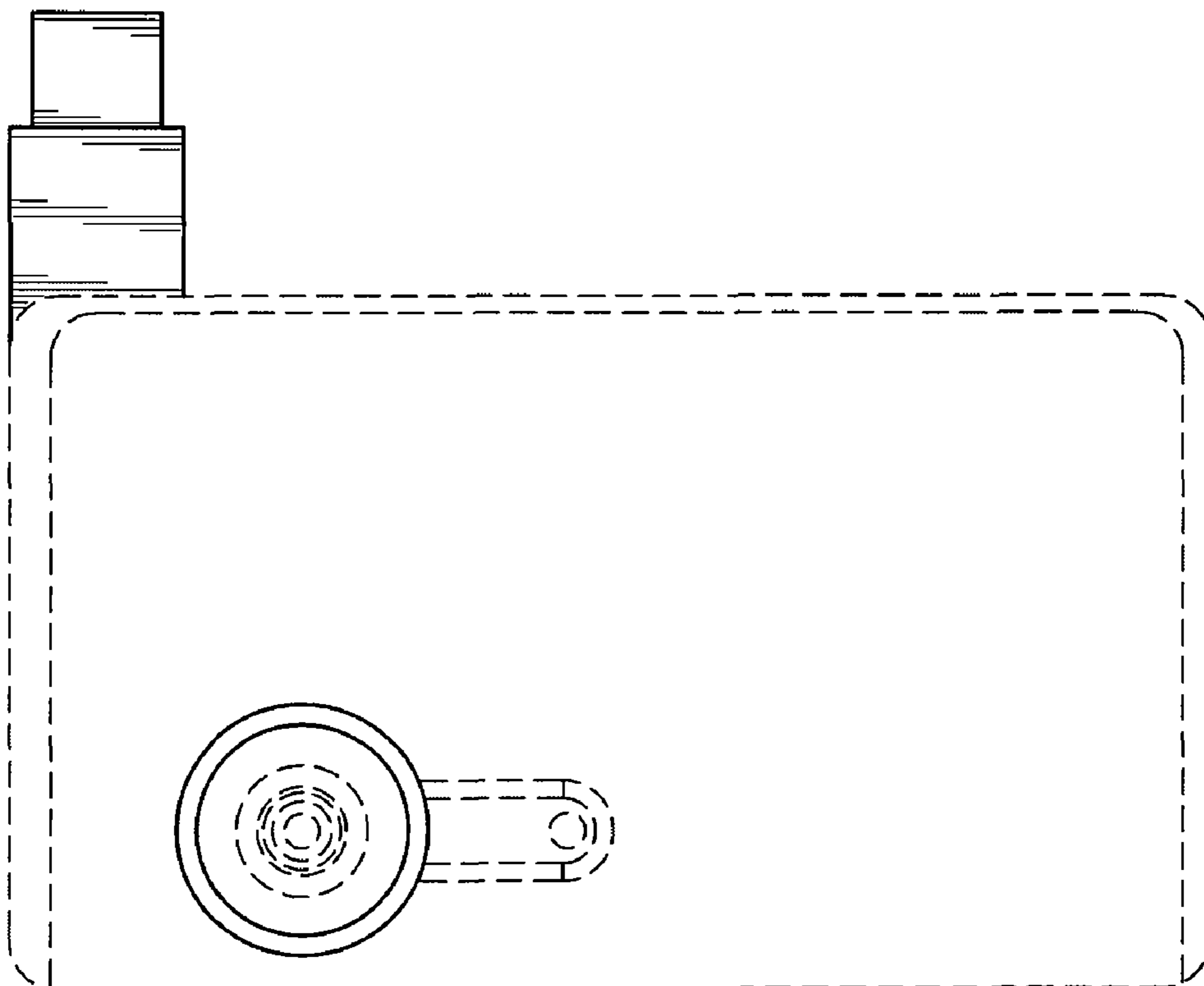


FIG. 2

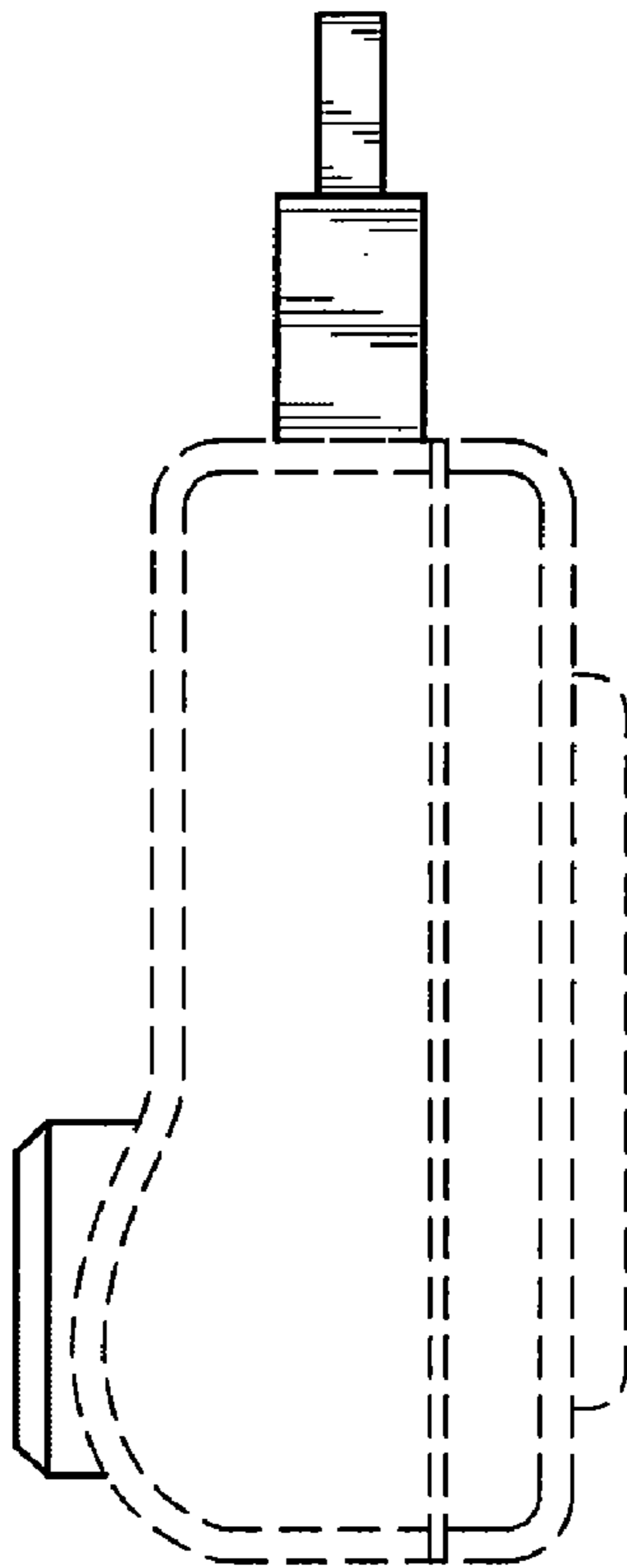


FIG. 4

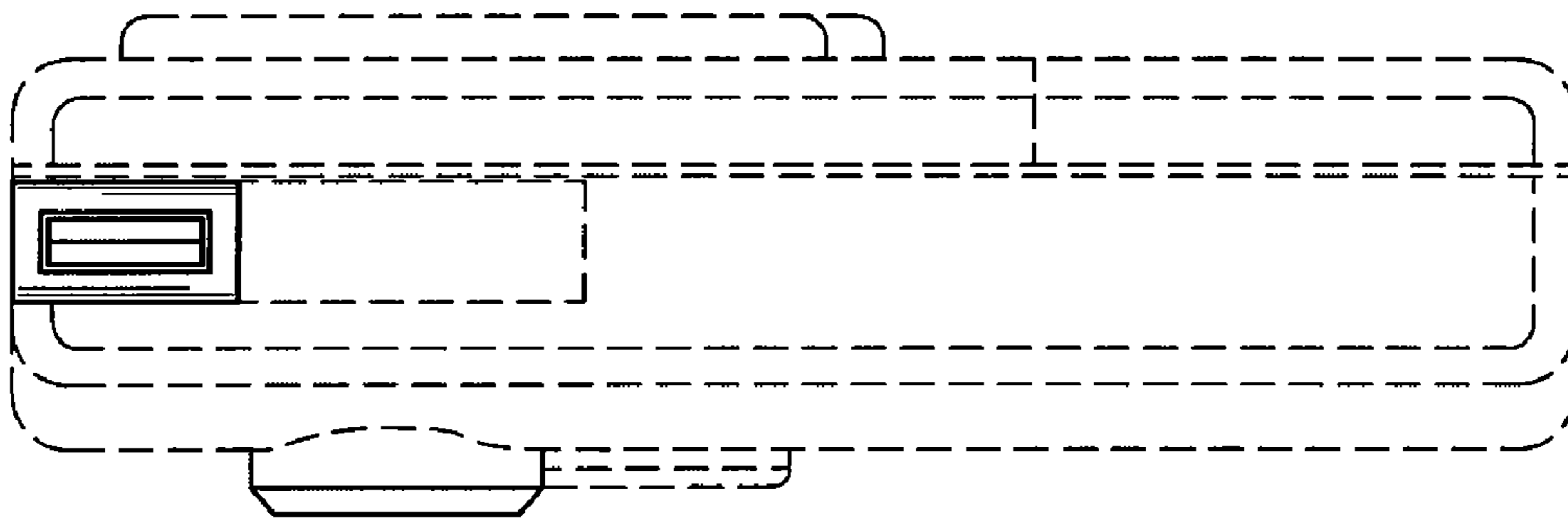


FIG. 3